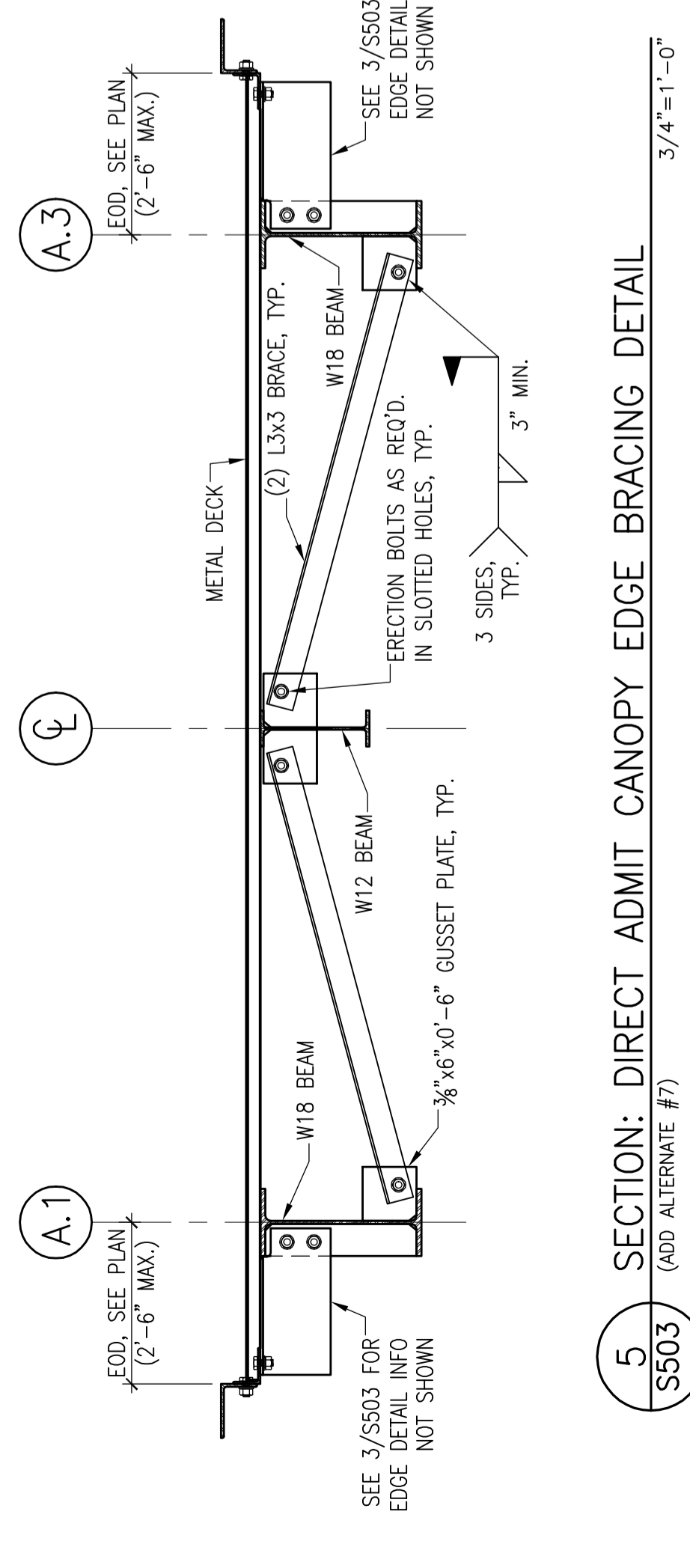
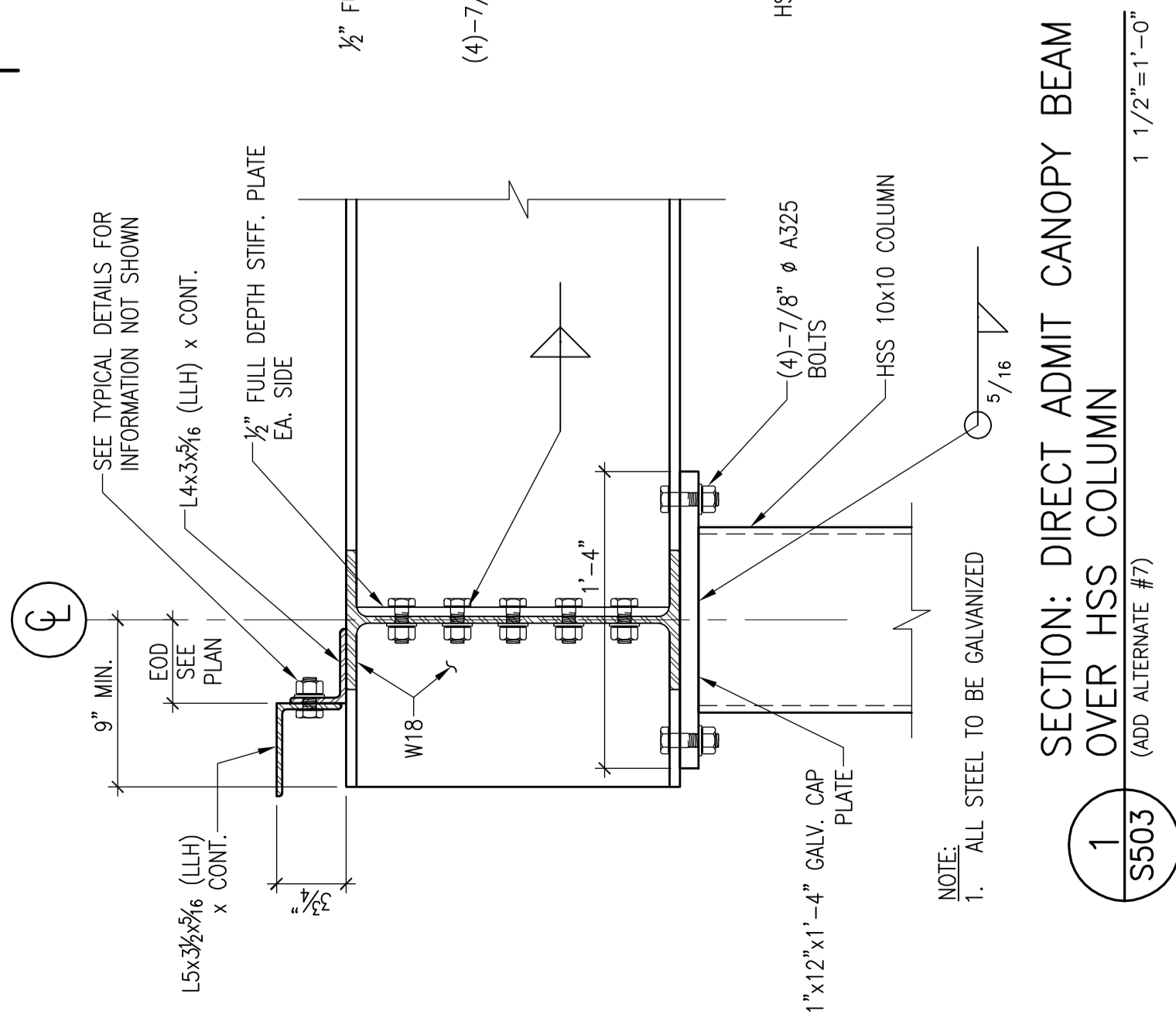
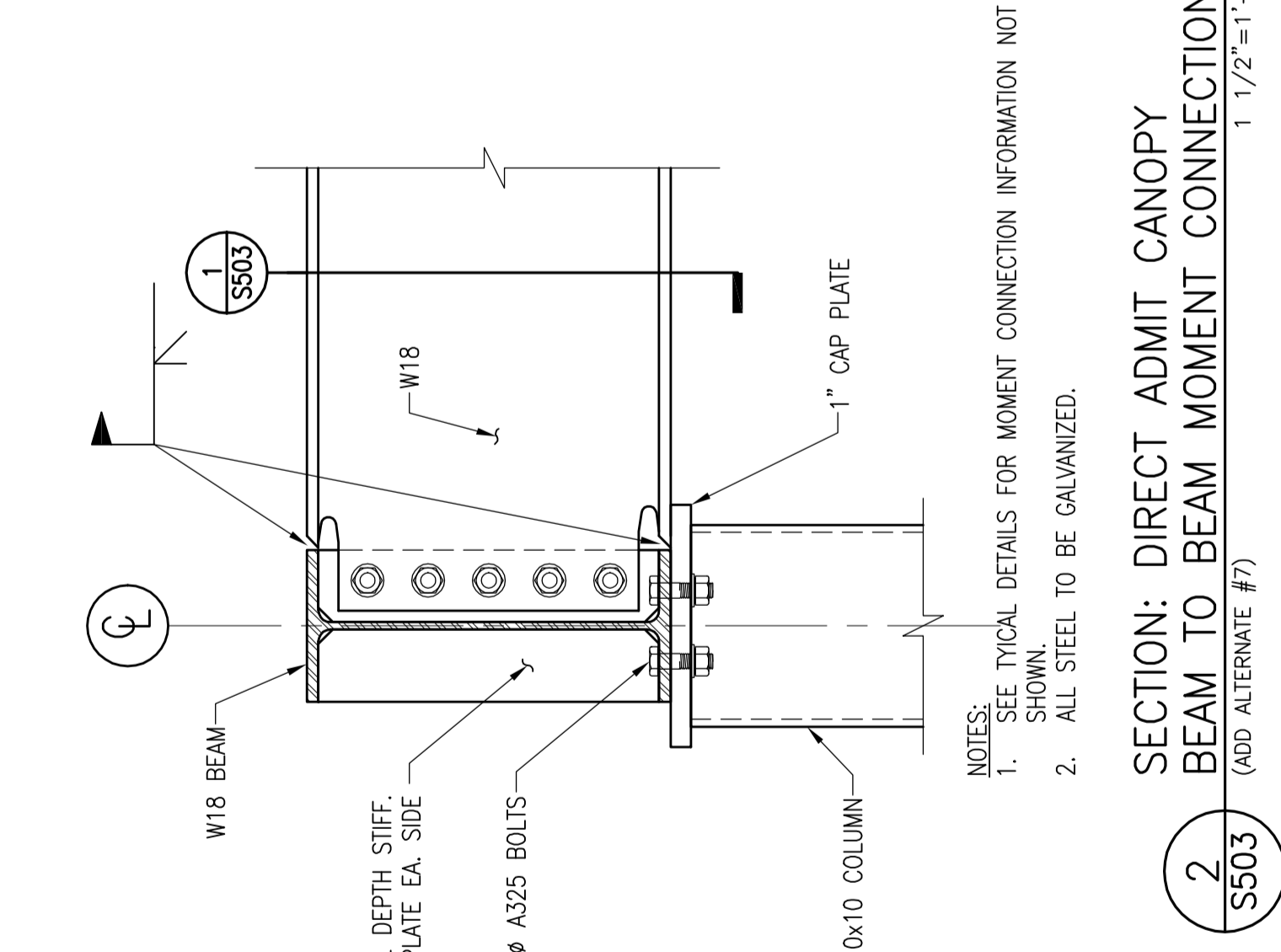
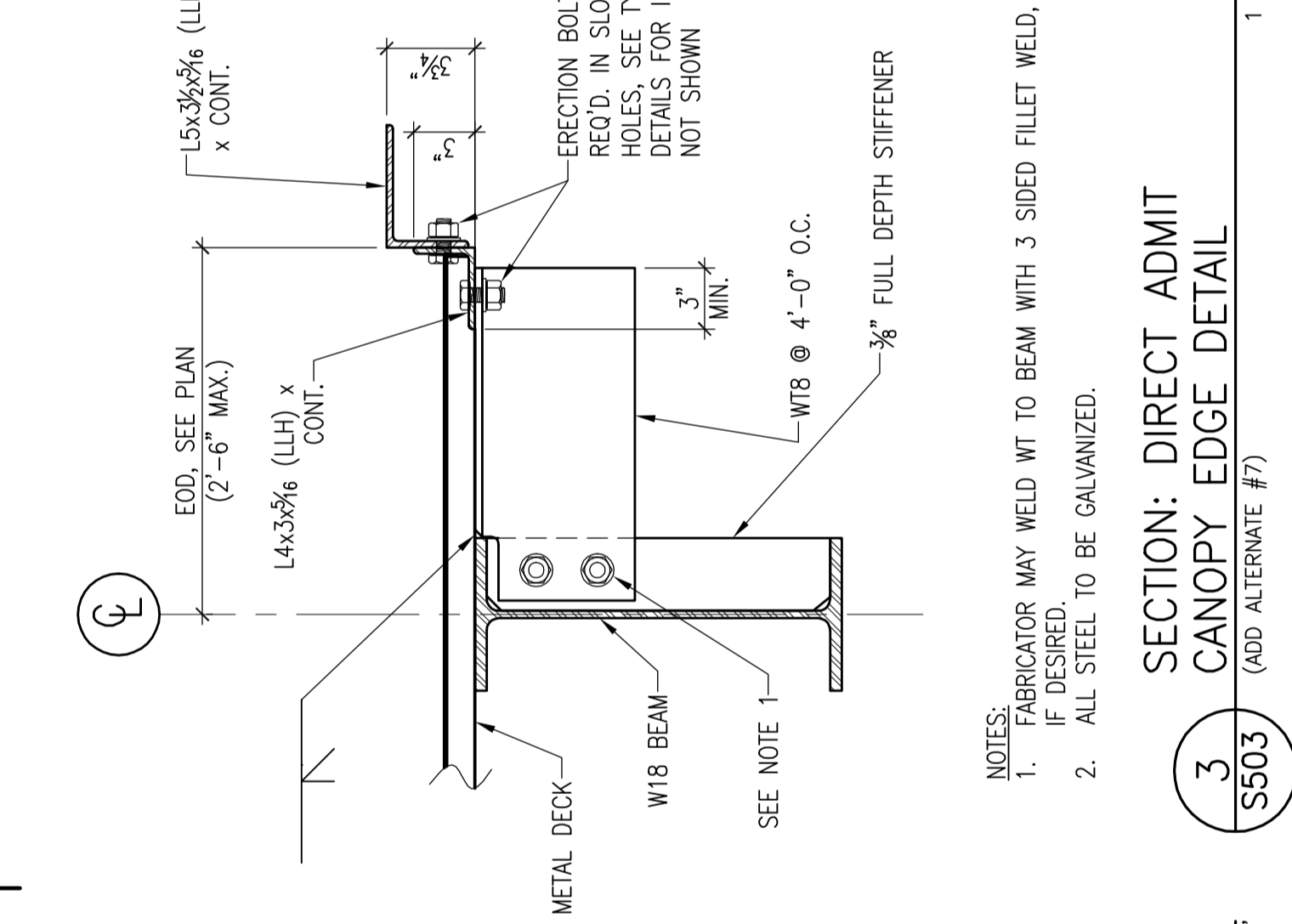
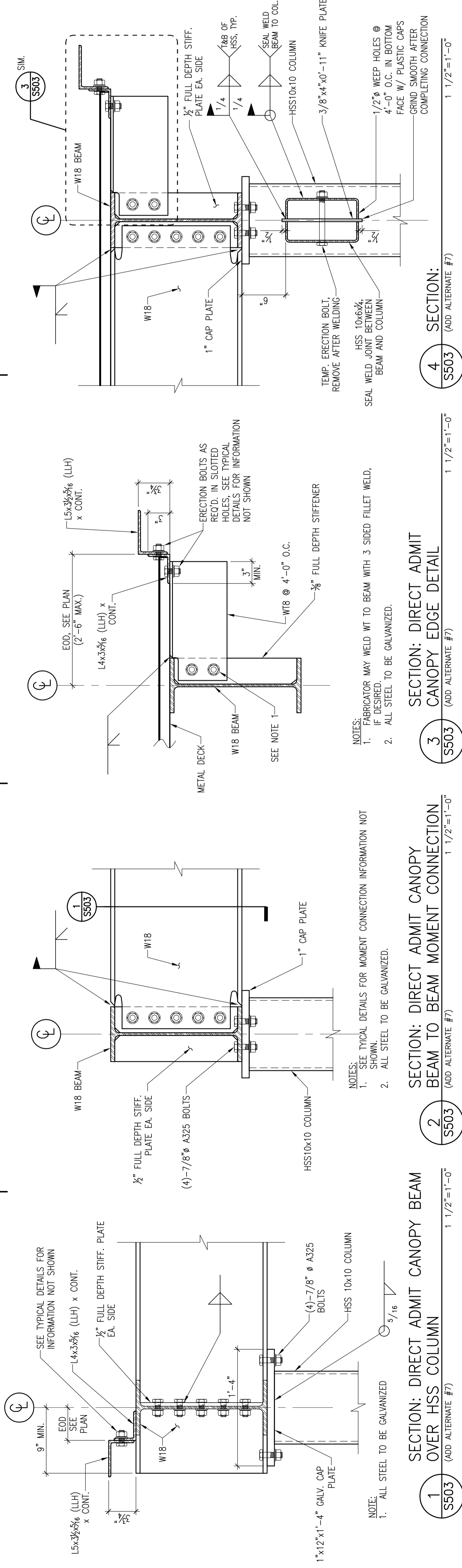


General Notes:



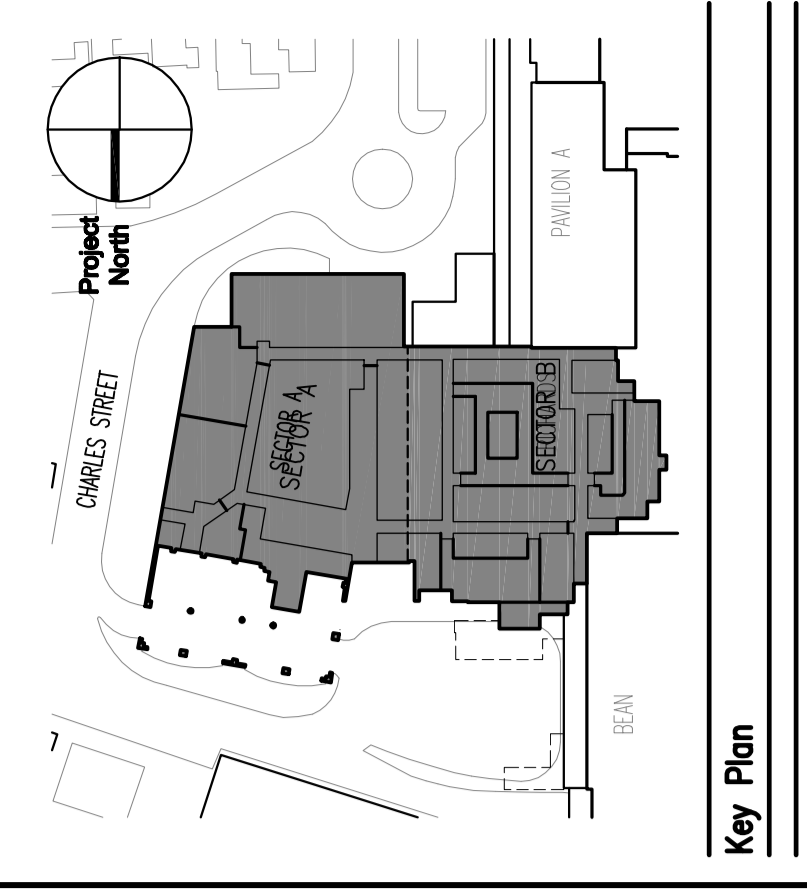
SIMPSON GUMPERTZ & HEGER
Engineering of Structures
and Building Enclosures

Boston
Los Angeles
New York
San Francisco
Washington, DC

Simpson Gumpertz & Heger Inc.
41 Seyon Street, Building 1, Suite 500
Boston, MA 02111
Tel: 781.902.7000 Fax: 781.902.7009
www.sgh.com

MARK	ISSUE DATE	DESCRIPTION
BID	12/14/07	BID SET

Issue Log



TRO Jung | Brannen

ARCHITECTURE INTERIORS DESIGN ENGINEERING MASTER PLANNING

22 Boston Wharf Road, Boston, Massachusetts 02210
Tel: 617.252.2800 Fax: 617.252.2400 www.trojungbrannen.com

Maine Medical Center
ED Expansion and Renovation
Portland, Maine MMC Project No. 21843

Drawing Title
DIRECT ADMIT CANOPY SECTIONS AND DETAILS

Drawn By	MJB	Commission No.	4686
Approved By	JHT	Date Issued	12/14/07

Phase / Package Number	Sheet Number
	S503