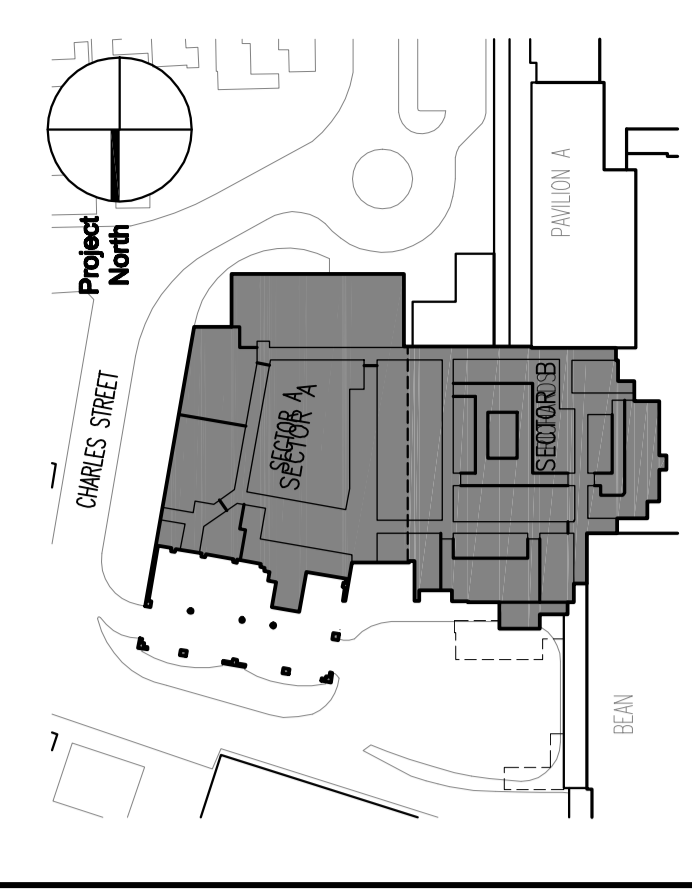


General Notes:
 1. ALL SURGERY CANOPY STEEL FRAMING AND ASSEMBLIES TO BE HOT DIP GALVANIZED. ALL WELDS TO BE TOUCHED UP WITH COLD GALVANIZING COMPOUND.

SIMPSON GUMPERTZ & HEGER
 Engineering of Structures
 and Building Enclosures
 Boston
 Los Angeles
 San Francisco
 Washington, DC
 Simpson Gumpertz & Heger Inc.
 41 Seyon Street, Building 1, Suite 500
 Boston, MA 02111
 Tel: 781.902.7000 Fax: 781.902.7009
 www.sgh.com

MARK	ISSUE DATE	DESCRIPTION
BD	12/14/07	BD SET

Issue Log



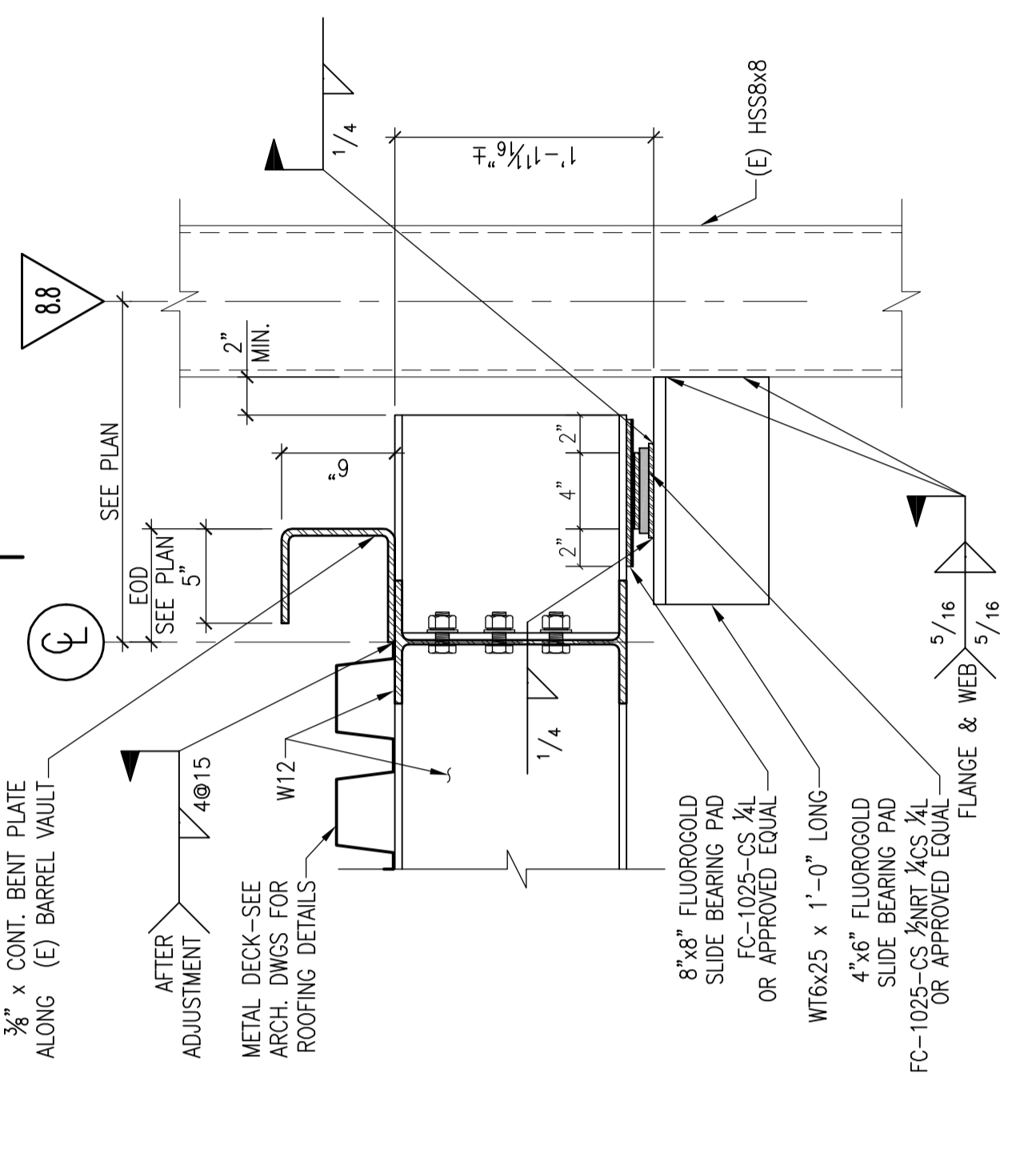
TRO Jung | Brannen
 ARCHITECTURE INTERIORS DESIGN ENGINEERING MASTER PLANNING
 22 Boston Wharf Road, Boston, Massachusetts 02210
 Tel: 617.252.0800 Fax: 617.252.3400 www.trojungbrannen.com

Maine Medical Center
 ED Expansion and Renovation
 Portland, Maine MMC Project No. 21843

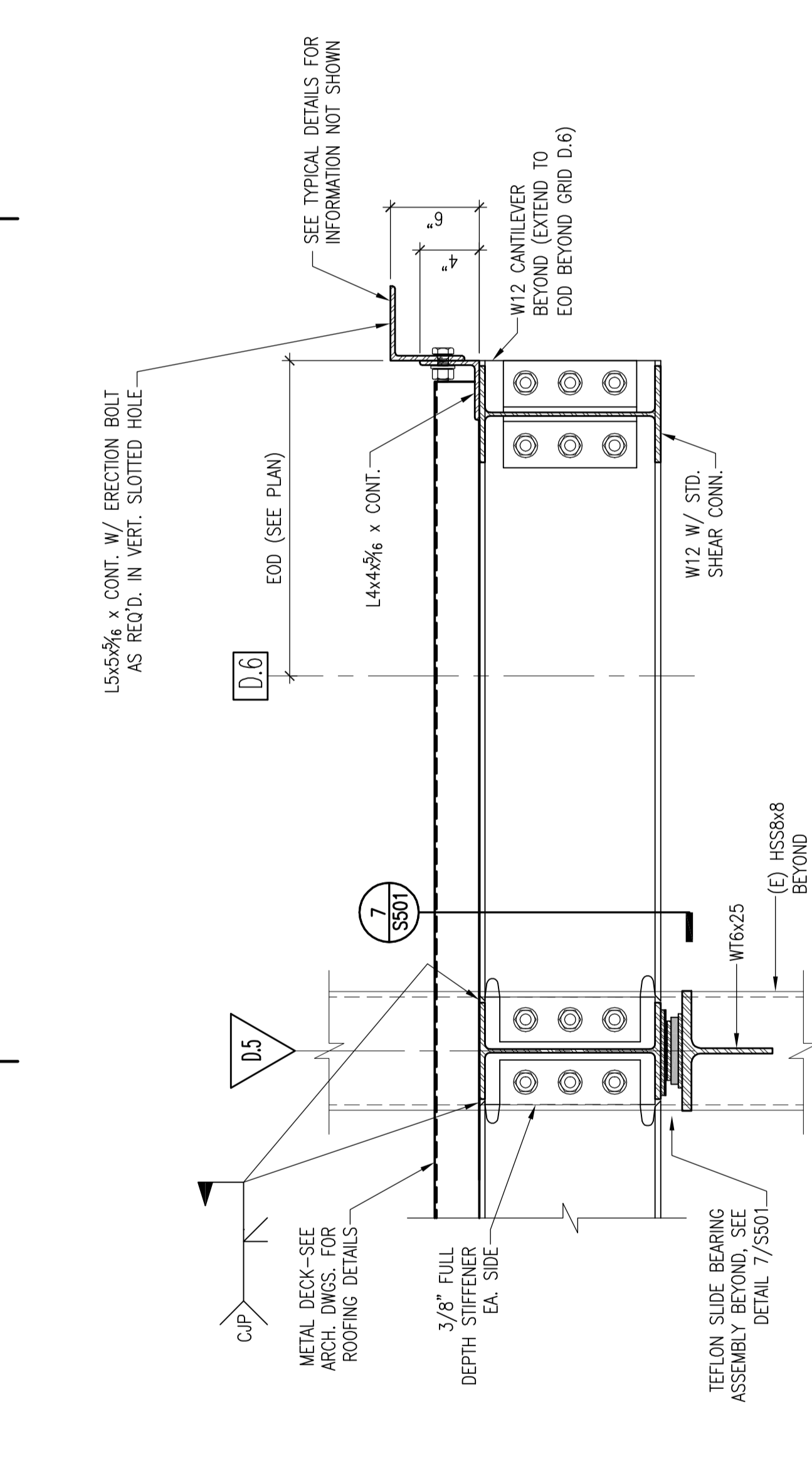
Drawing Title
SURGERY CANOPY SECTIONS AND DETAILS

Drawn By	MJB	Commission No.	4686
Approved By	JHT	Date Issued	12/14/07
Phase / Package Number	Sheet Number		

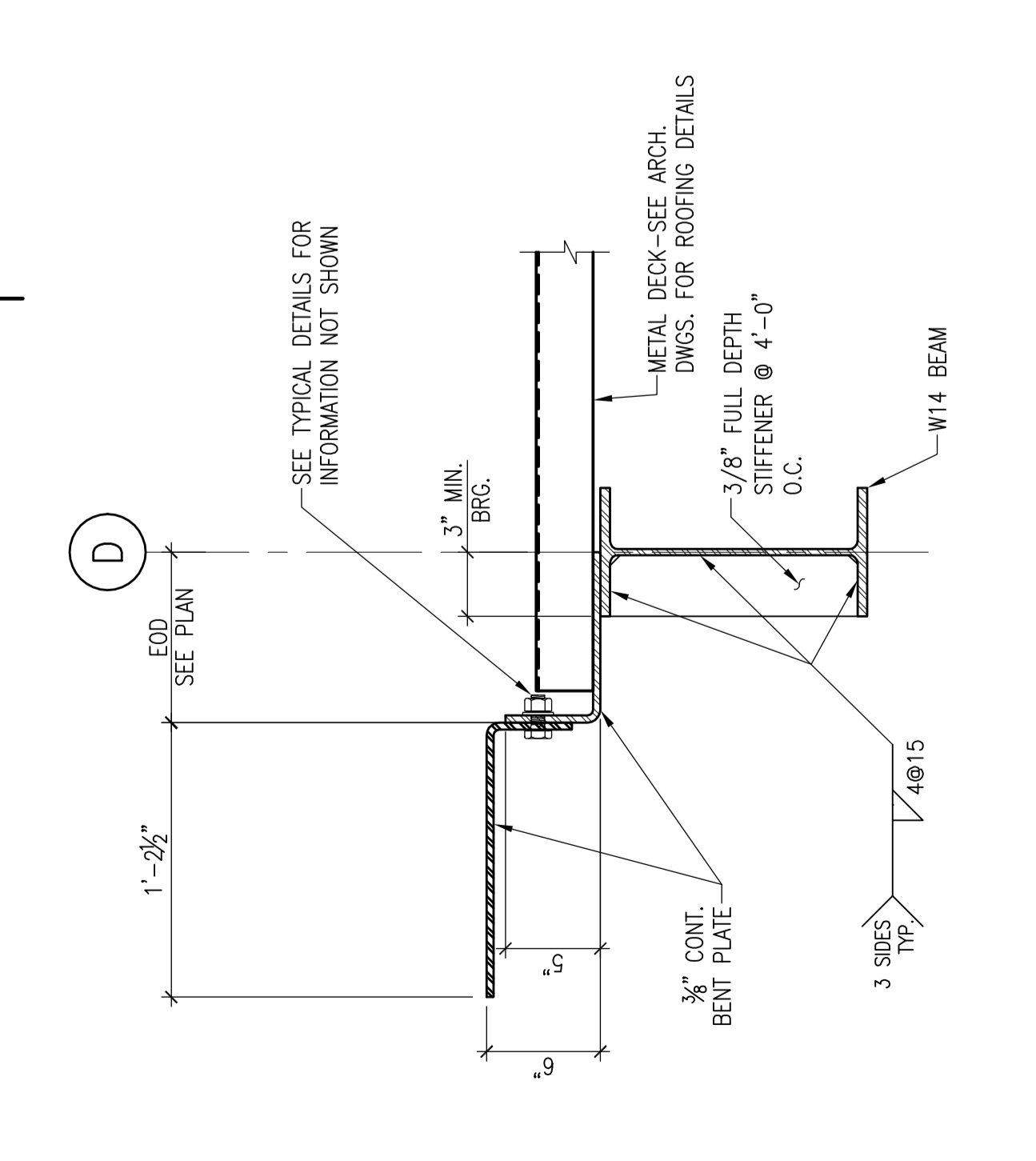
S502



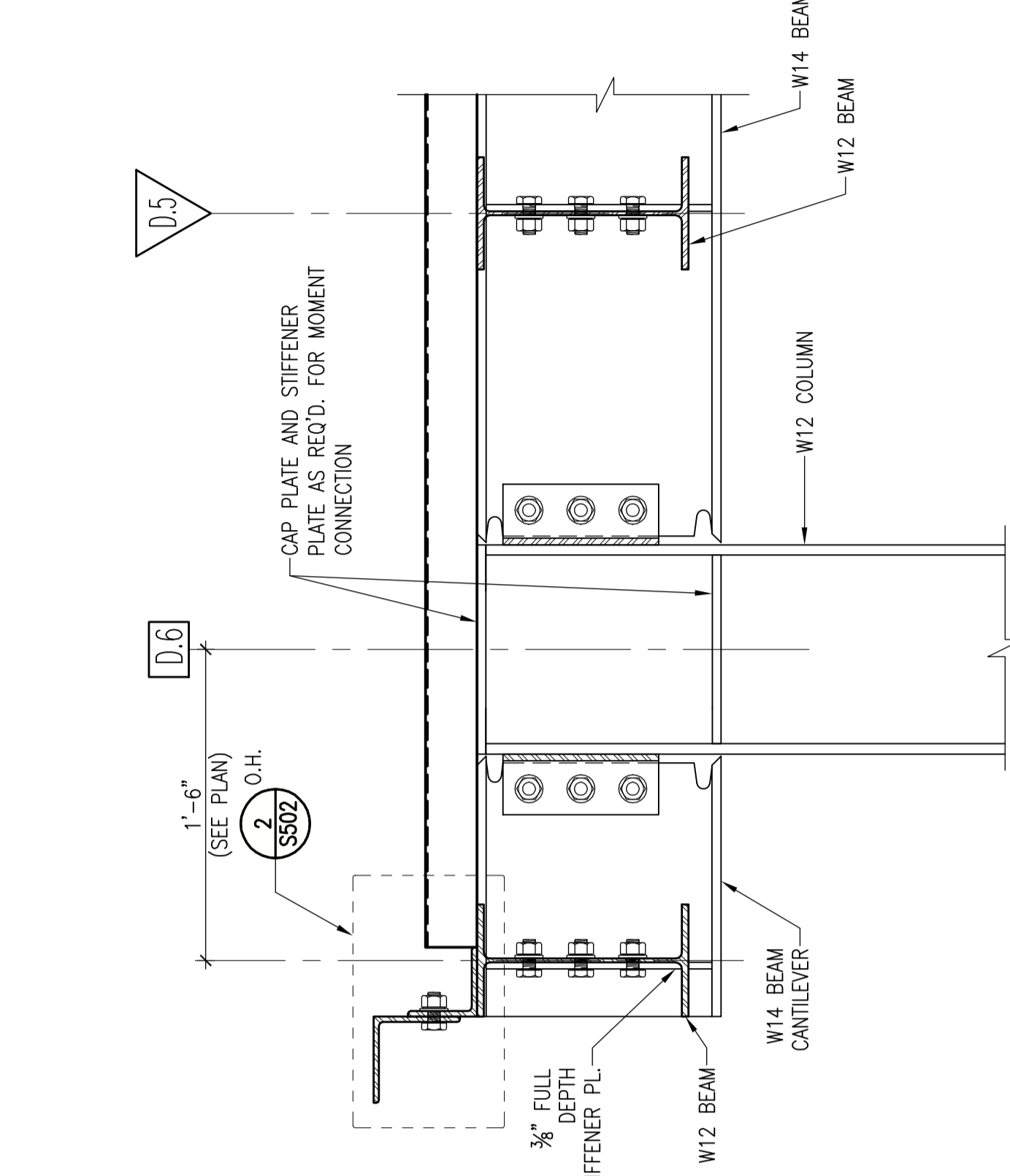
3 SECTION: SURGERY CANOPY SLIDE BEARING CONNECTION TO EXISTING HSS COLUMN
 1 1/2"=1'-0"



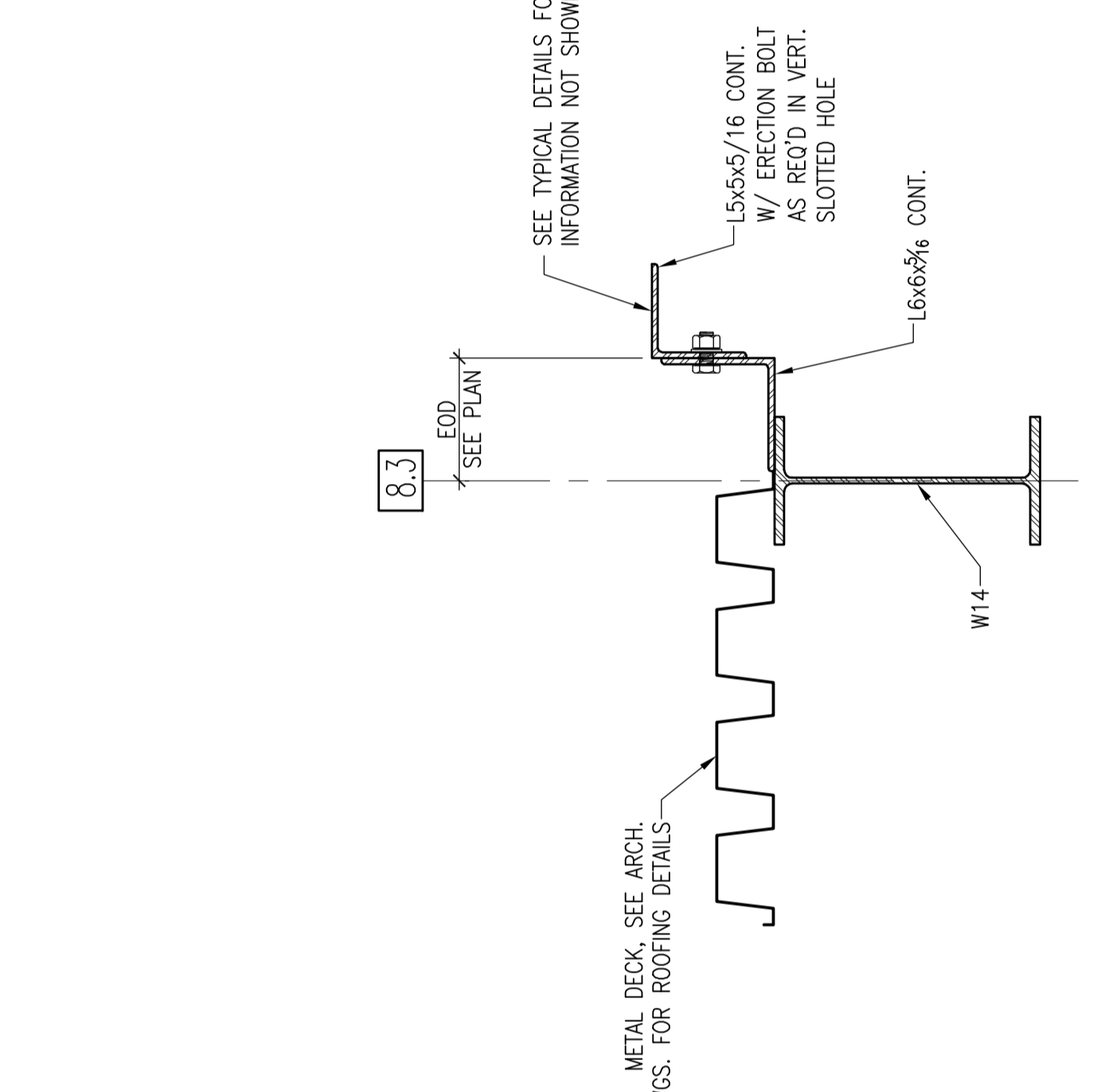
2 SECTION: SOUTH ROOF EDGE OVER SURGERY CANOPY
 1 1/2"=1'-0"



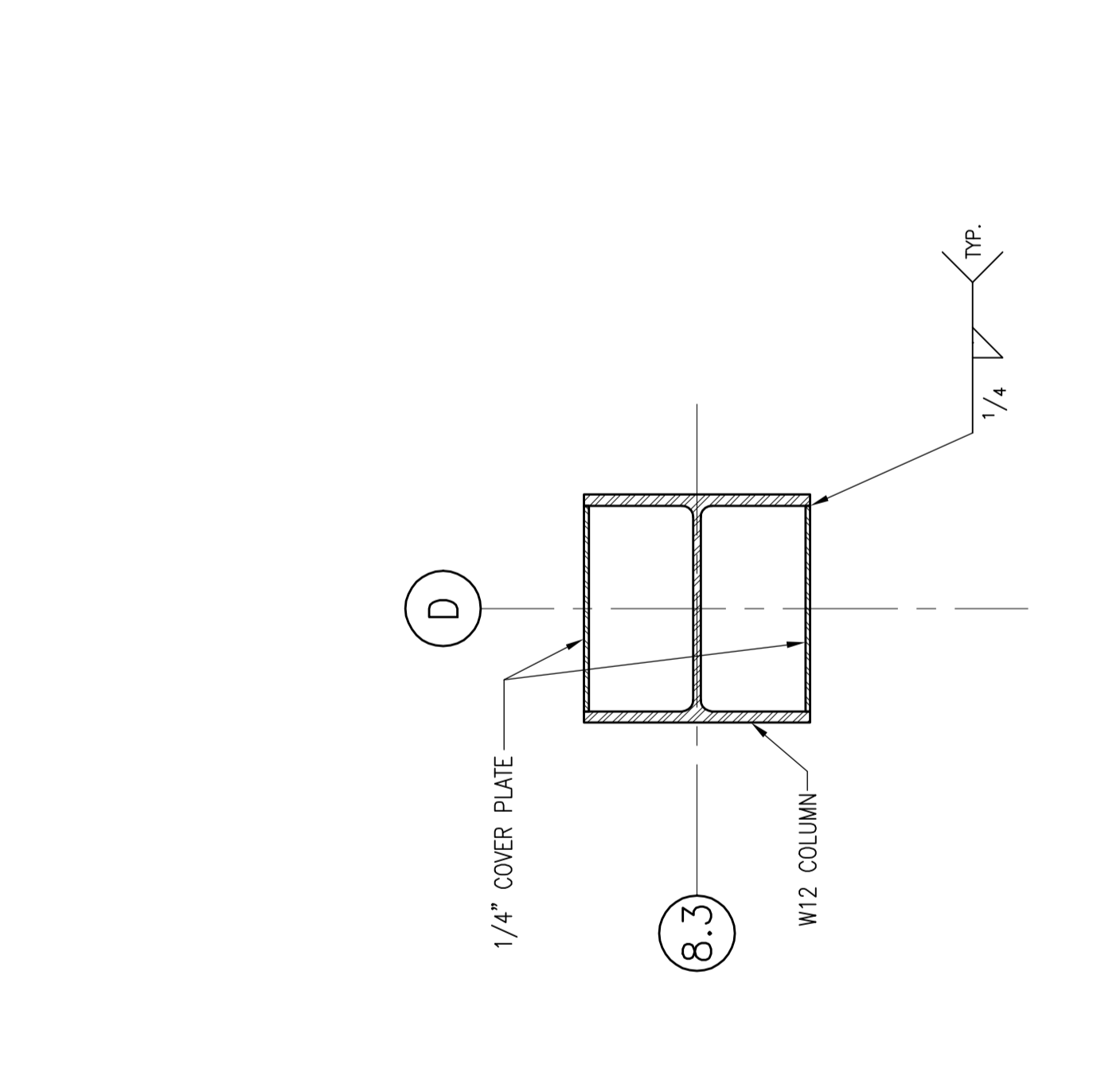
1 SECTION: NORTH ROOF EDGE OVER SURGERY CANOPY
 1 1/2"=1'-0"



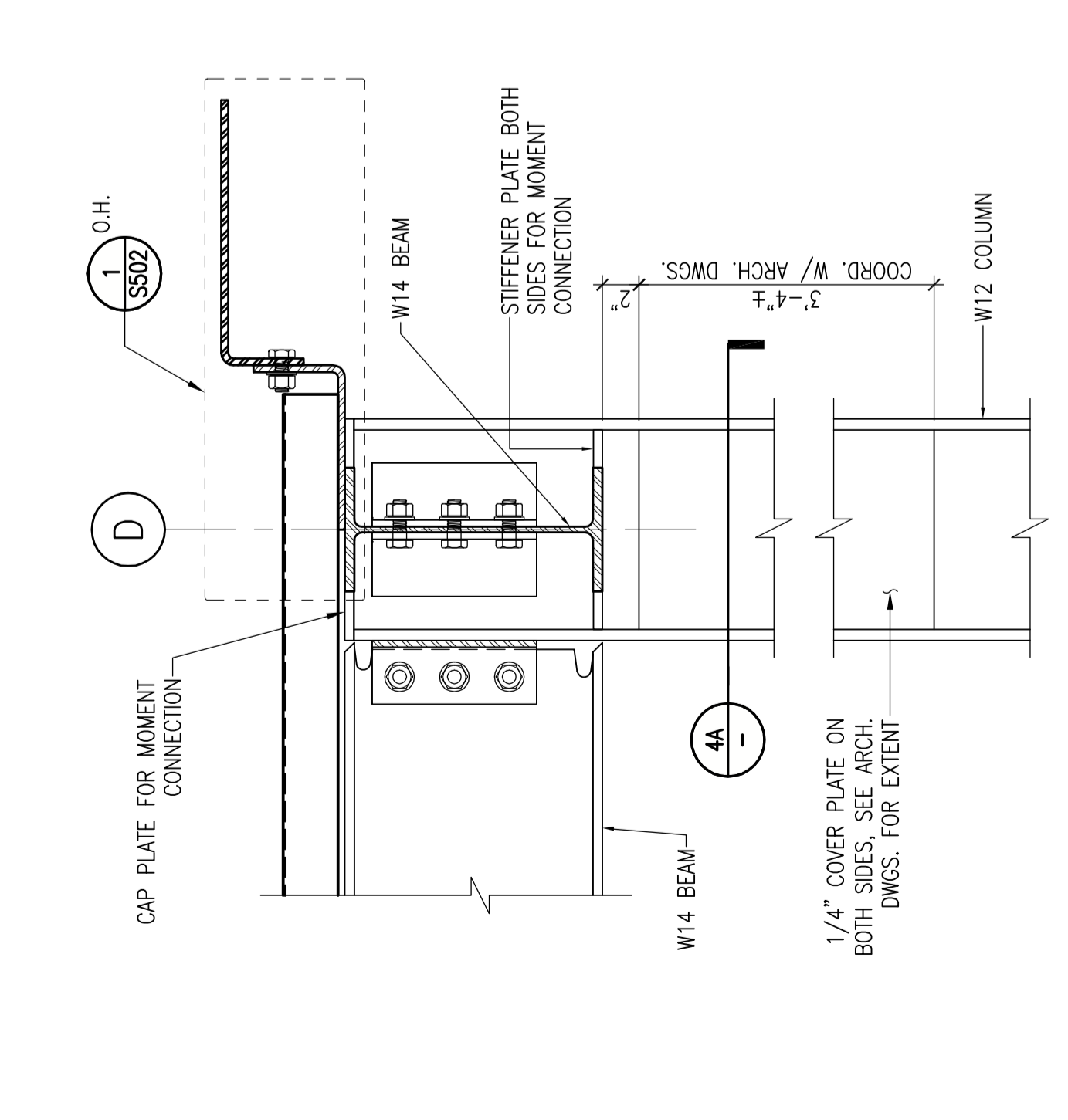
6 SECTION: SOUTH SURGERY CANOPY COLUMN
 1 1/2"=1'-0"



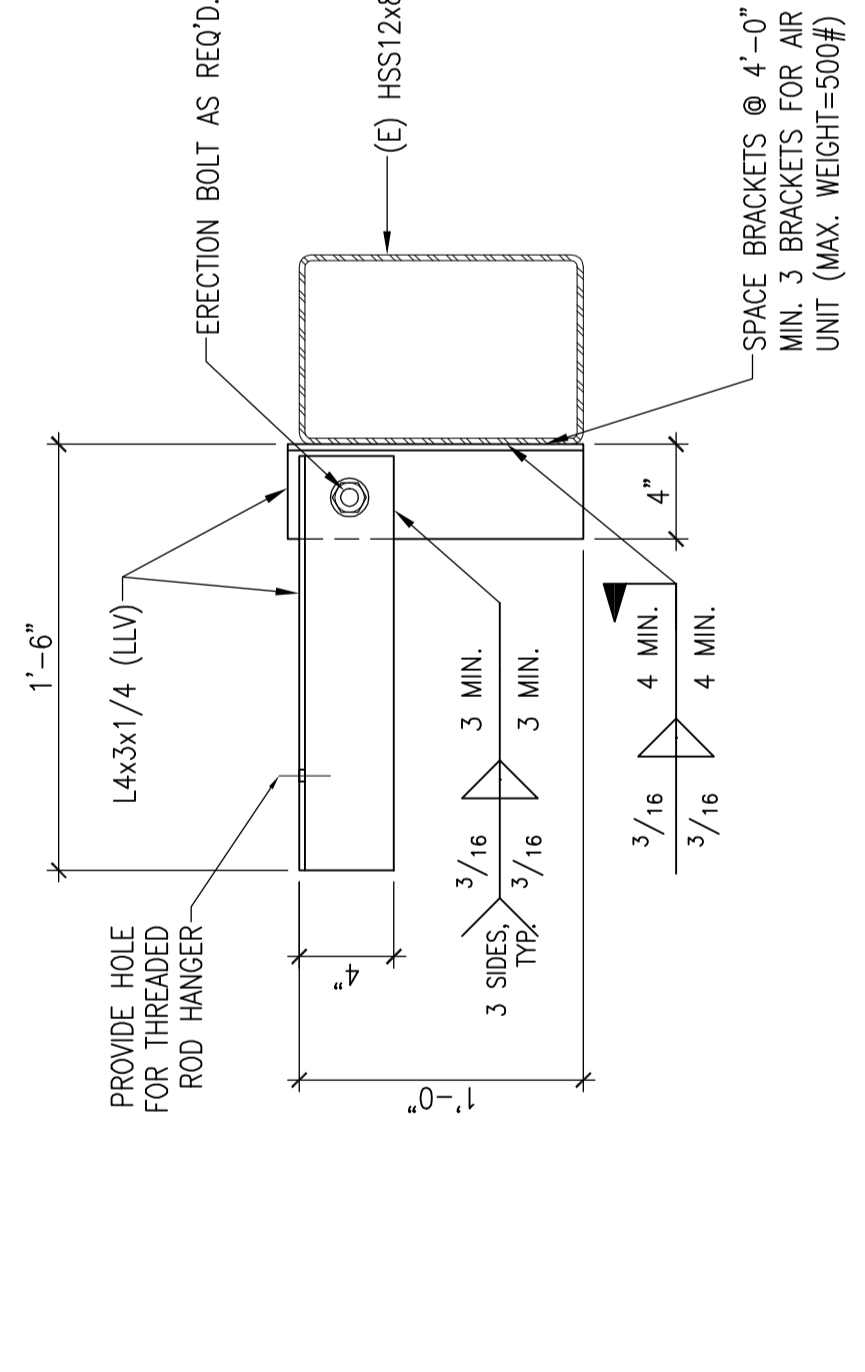
5 SECTION: WEST ROOF EDGE OVER SURGERY CANOPY
 1 1/2"=1'-0"



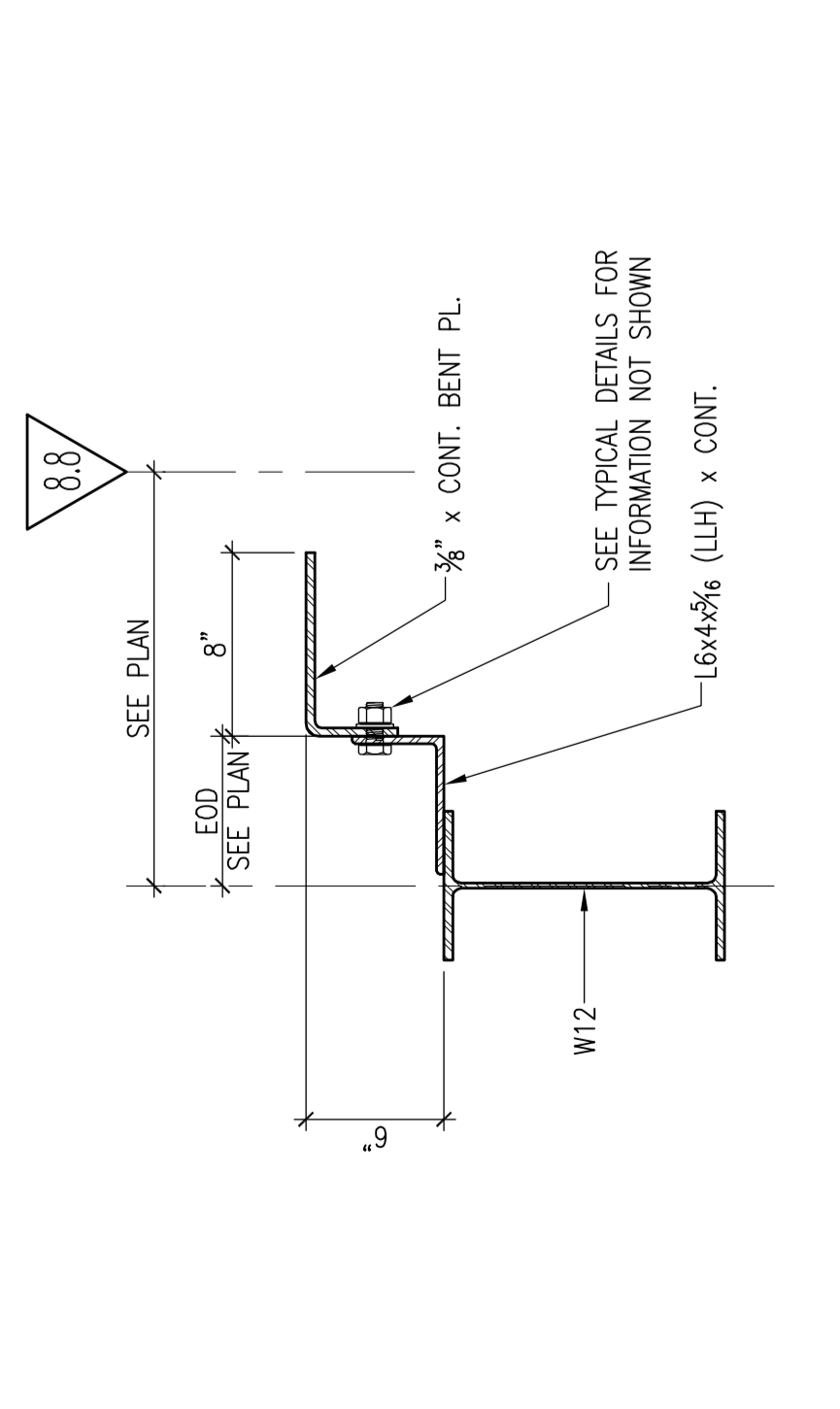
4A PLAN DETAIL: NORTH SURGERY CANOPY COLUMN
 1 1/2"=1'-0"



4 SECTION: NORTH SURGERY CANOPY COLUMN
 1 1/2"=1'-0"



8 SECTION: AIR CURTAIN SUPPORT BRACKET
 1 1/2"=1'-0"



7 SECTION: EAST ROOF EDGE OUTSIDE (E) BARREL VAULT
 1 1/2"=1'-0"