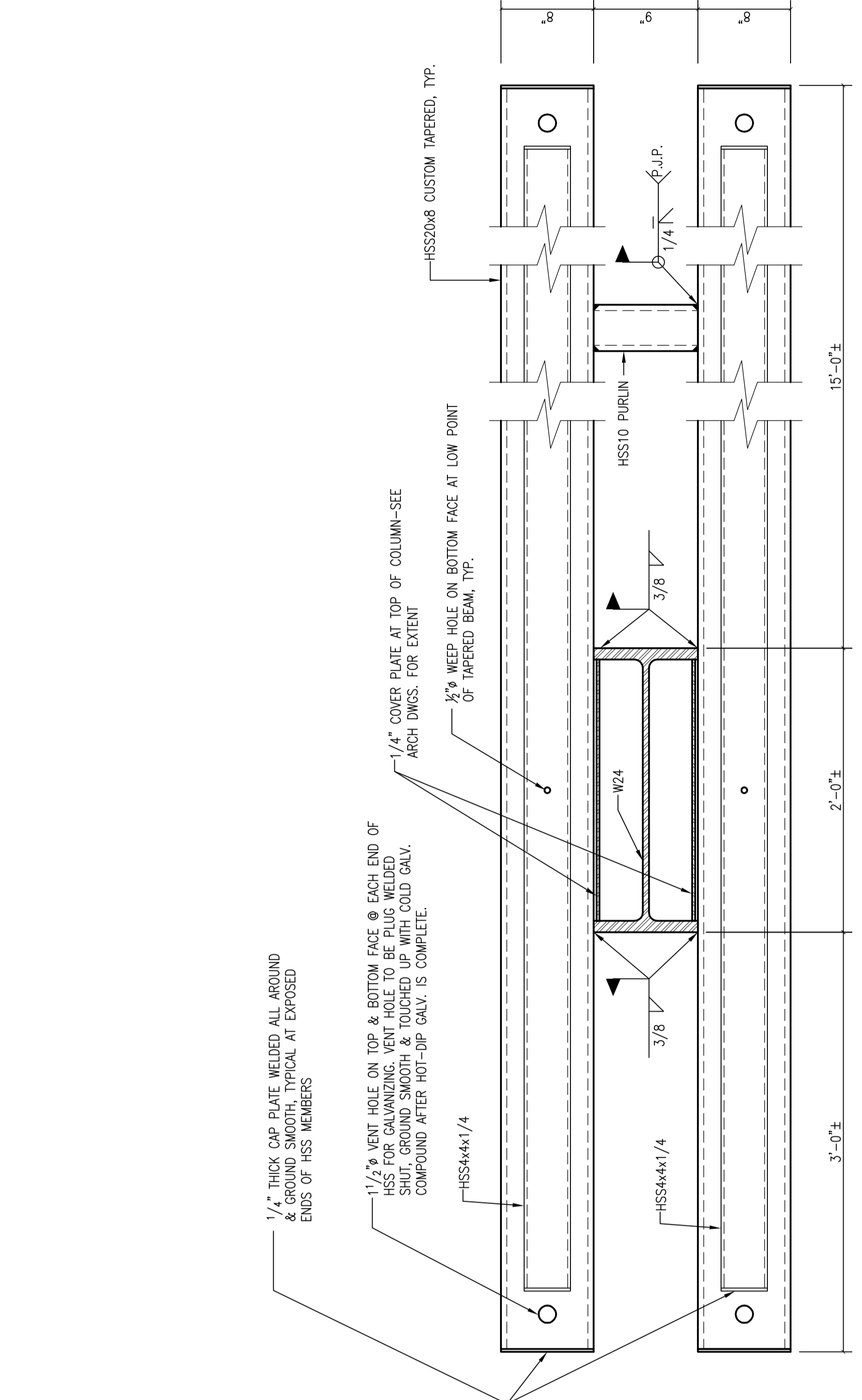
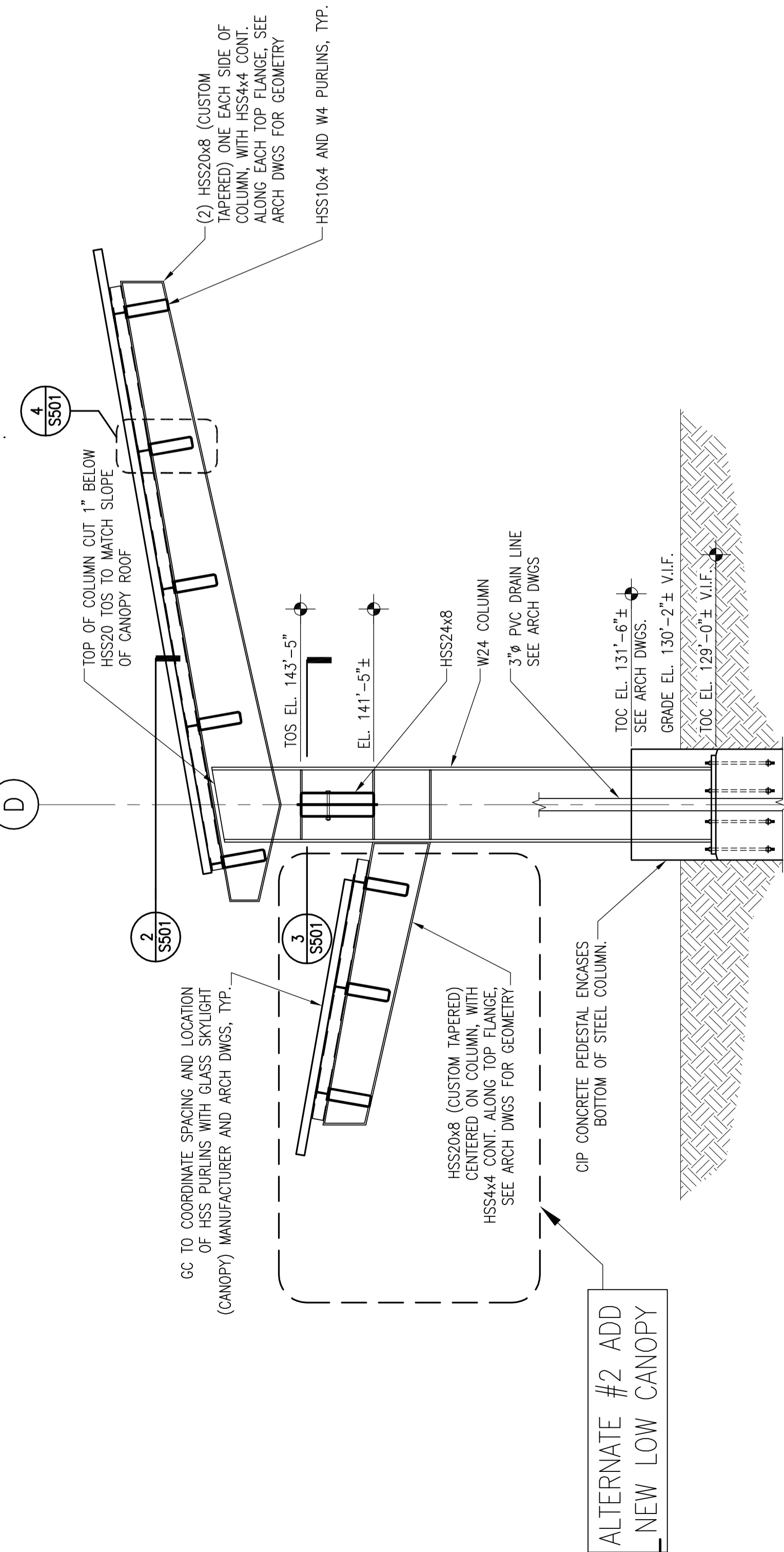


General Notes:



2 PLAN DETAIL: CONNECTION OF HSS20x8 CANTILEVERED TOP BEAMS TO W24 COLUMN
1 1/2" = 1'-0"

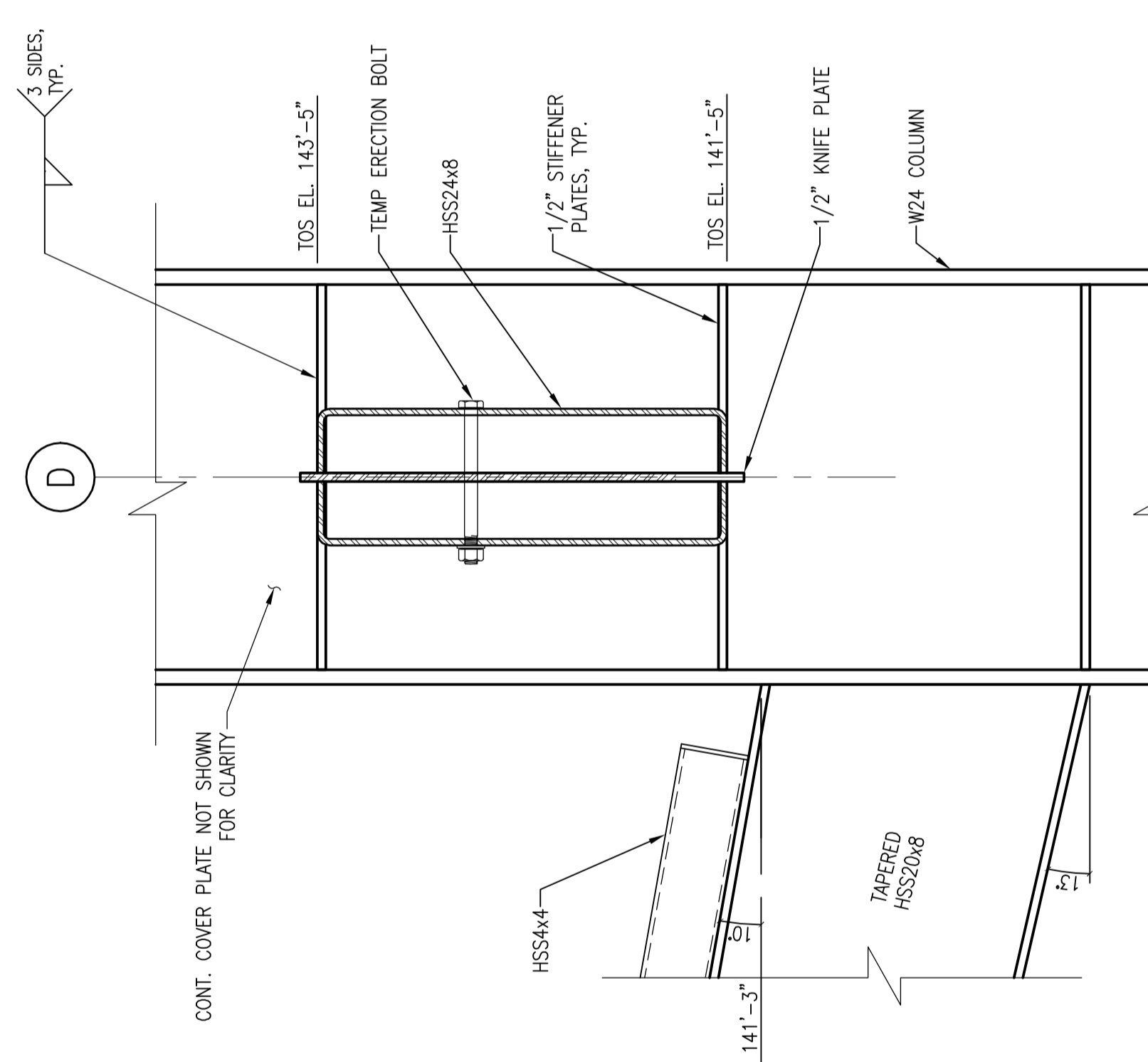
NOTE: SEE ARCH DRAWINGS FOR TAPERED HSS20 GEOMETRY



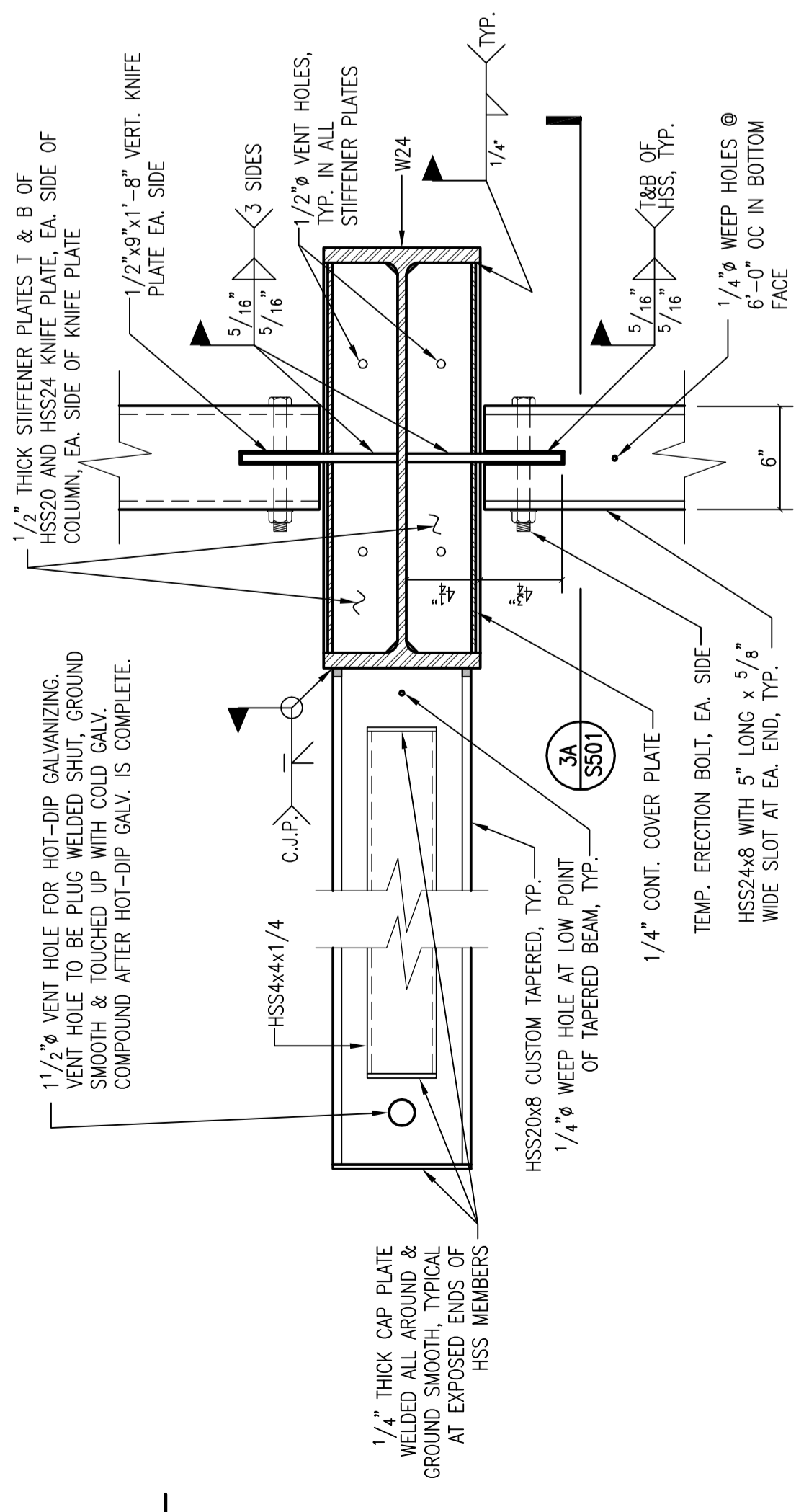
1 SECTION THRU ED DROP-OFF CANOPY
3/8" = 1'-0"

NOTES:
1. ALL STEEL FOR ENTRANCE CANOPY TO BE GALVANIZED, TYP.
2. REFER TO ARCH. DRAWINGS FOR ALL INFO AND DIMS NOT SHOWN HERE.

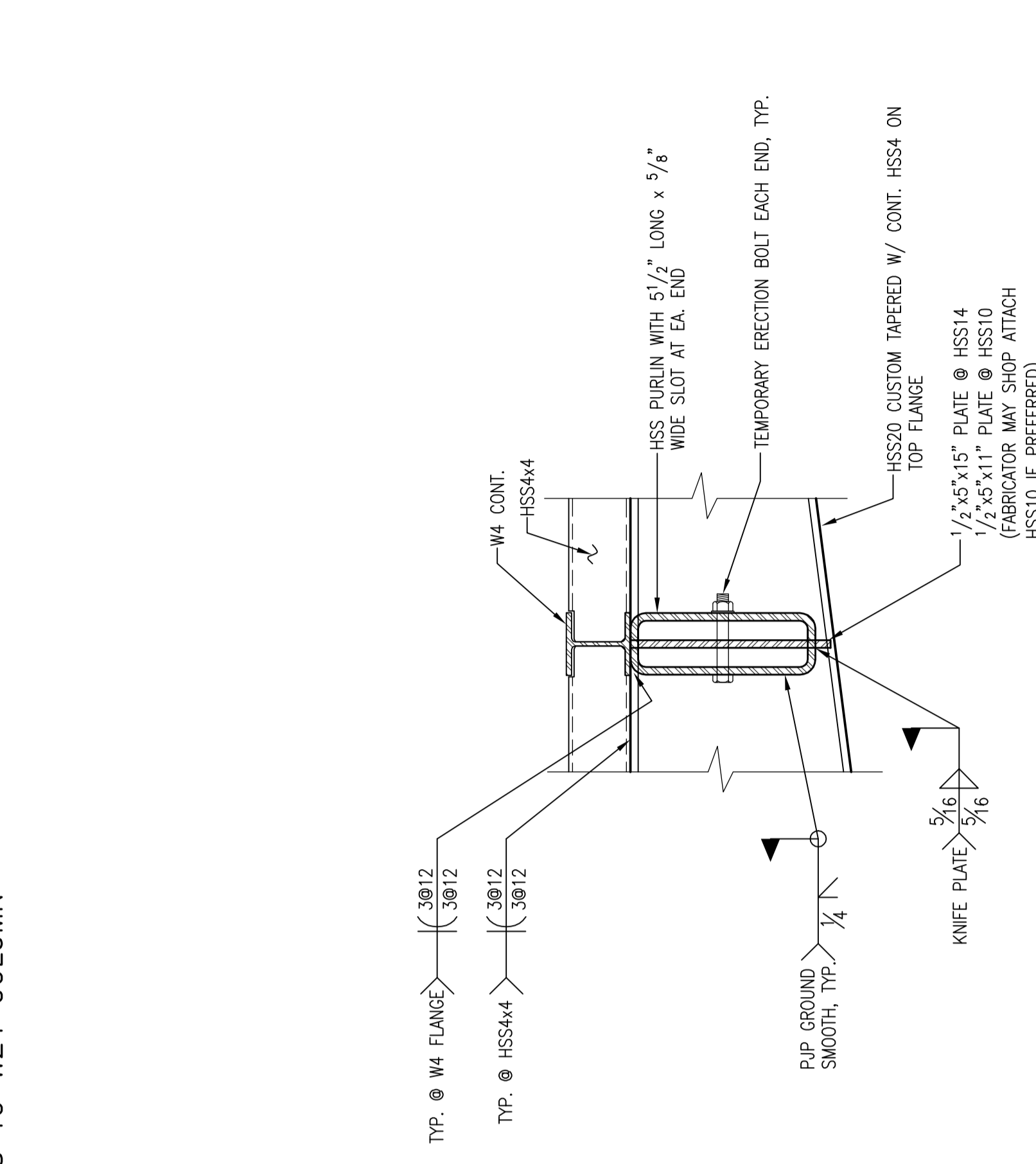
ALTERNATE #2 ADD NEW LOW CANOPY



3A SECTION: CONNECTION OF HSS24 TO W24 COLUMN
1 1/2" = 1'-0"



3 PLAN DETAIL: CONNECTION OF HSS20x8 CANTILEVERED BOTTOM BEAM TO W24 COLUMN
1 1/2" = 1'-0"



4 SECTION: CONNECTION OF HSS PURLIN TO TAPERED HSS BEAM
1 1/2" = 1'-0"

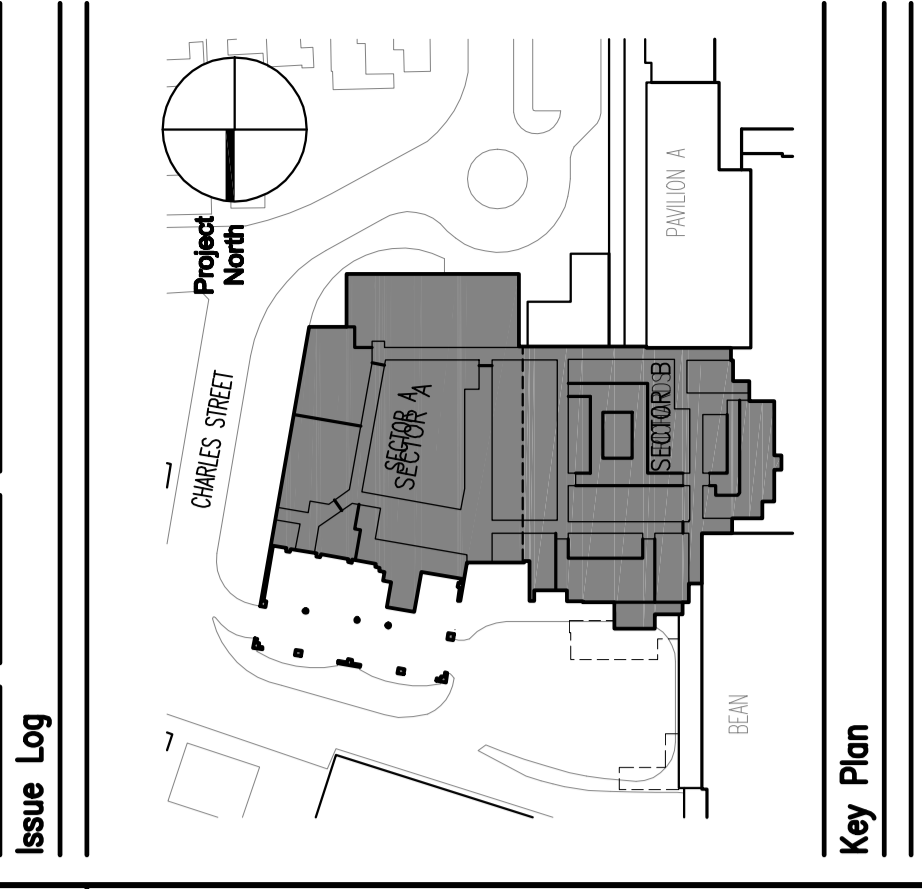
General Notes:

SIMPSON GUMPERTZ & HEGER
Engineering of Structures
and Building Enclosures

Boston
Los Angeles
New York
San Francisco
Washington, DC

Simpson Gumpertz & Heger Inc.
41 Seyon Street, Building 1, Suite 500
Boston, MA 02111
Tel: 781.902.7000 Fax: 781.902.7009
www.sgh.com

MARK	ISSUE DATE	DESCRIPTION
BD	12/14/07	BD SET



TRO Jung | Brannen
ARCHITECTURE INTERIOR DESIGN ENGINEERING MASTER PLANNING

22 Boston Wharf Road, Boston, Massachusetts 02210
Tel: 617.252.2800 Fax: 617.252.2400 www.trojungbrannen.com

Maine Medical Center
ED Expansion and Renovation
Portland, Maine MMC Project No. 21843

ENTRANCE CANOPY SECTIONS AND DETAILS

Drawn By	MJB	Completion No.	4686
Approved By	JIT	Date Issued	12/14/07

Phase / Package Number	Sheet Number
	S501

Copyright © 2007 TRB Architects