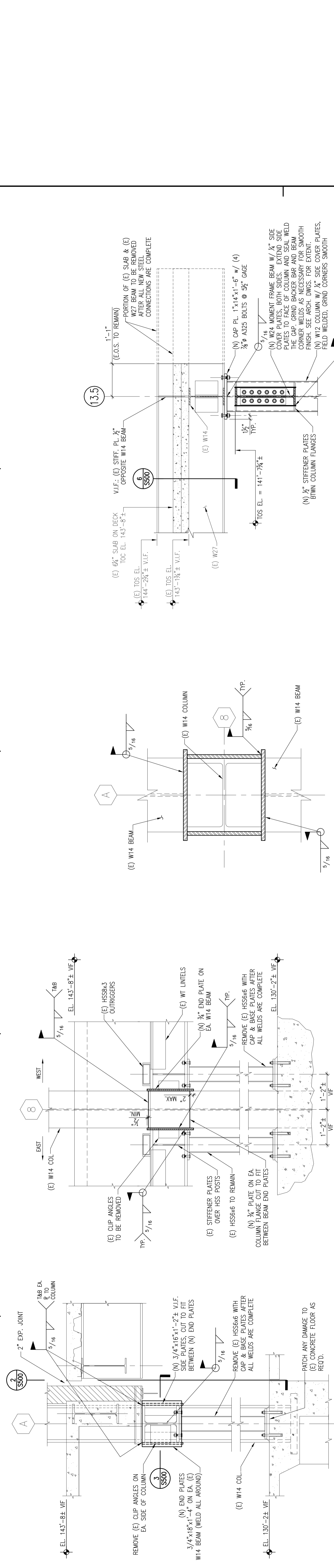


General Notes:



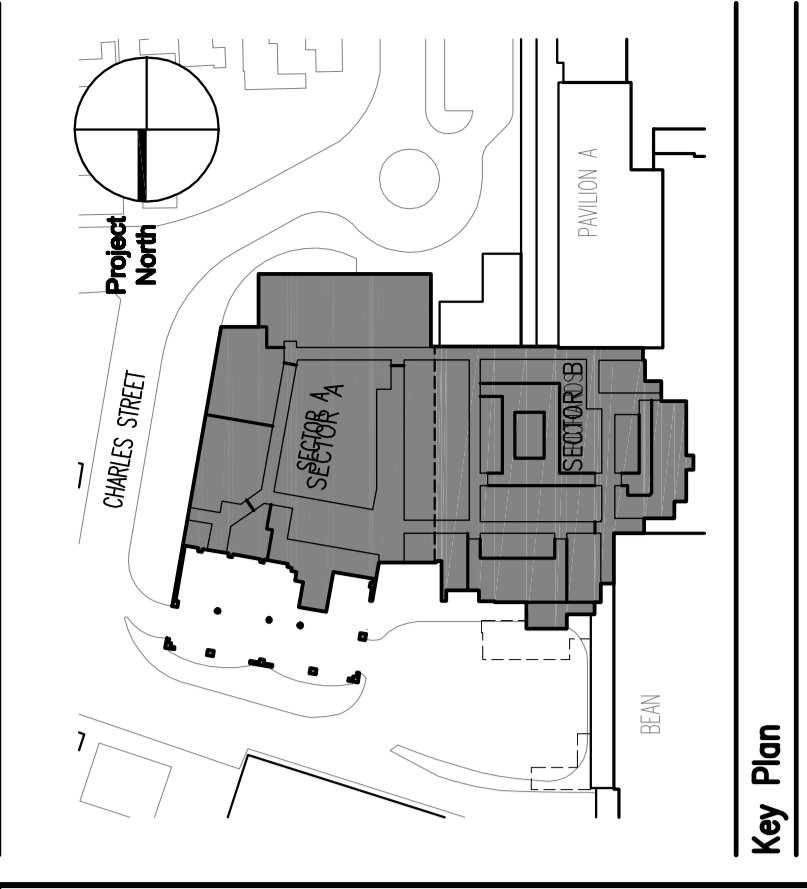
**SIMPSON GUMPERTZ & HEGER**  
 Engineering of Structures  
 and Building Enclosures

Boston  
 Los Angeles  
 San Francisco  
 Washington, DC

Simpson Gumpertz & Heger Inc.  
 41 Seyon Street, Building 1, Suite 500  
 Boston, MA 02111  
 Tel: 781.902.9000 Fax: 781.902.9009  
 www.sgh.com

MARK	ISSUE DATE	DESCRIPTION
BD	12/14/07	BD SET

Issue Log



**Key Plan**

**TRO Jung | Brannen**  
 ARCHITECTURE INTERIORDESIGN ENGINEERING MASTER PLANNING  
 22 Boston Wharf Road, Boston, Massachusetts 02210  
 Tel: 617.252.0800 Fax: 617.252.2400 www.trojungbrannen.com

**Maine Medical Center**  
 ED Expansion and Renovation  
 Portland, Maine MMC Project No. 21843

Drawing Title  
**SECTIONS AND DETAILS**  
**MODIFICATIONS TO EXISTING**

Drawn By	MJB	Completion No.	4636
Approved By	JHT	Date Issued	12/14/07

Phase / Package Number Sheet Number  
**\$500**

Copyright © 2007 TRB Architects