

General Notes:

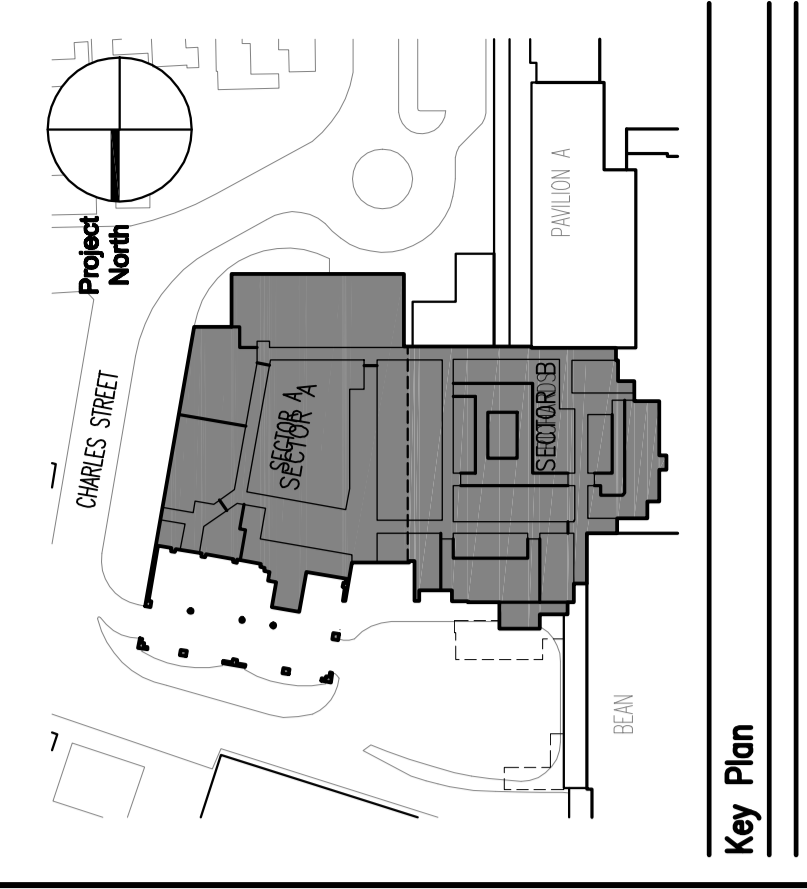
SIMPSON GUMPERTZ & HEGER
 Engineering of Structures
 and Building Enclosures

Boston
 Los Angeles
 San Francisco
 Washington, DC

Simpson Gumpertz & Heger Inc.
 41 Seyon Street, Building 1, Suite 500
 Boston, MA 02111
 Tel: 781.902.7000 Fax: 781.902.7009
 www.sgh.com

MARK	ISSUE DATE	DESCRIPTION
BD	12/14/07	BD SET

Issue Log



TR Jung | Brannen
 ARCHITECTURE INTERIORDESIGN ENGINEERING MASTER PLANNING

22 Boston Wharf Road, Boston, Massachusetts 02210
 Tel: 617.252.0000 Fax: 617.252.3400 www.trjungbrannen.com

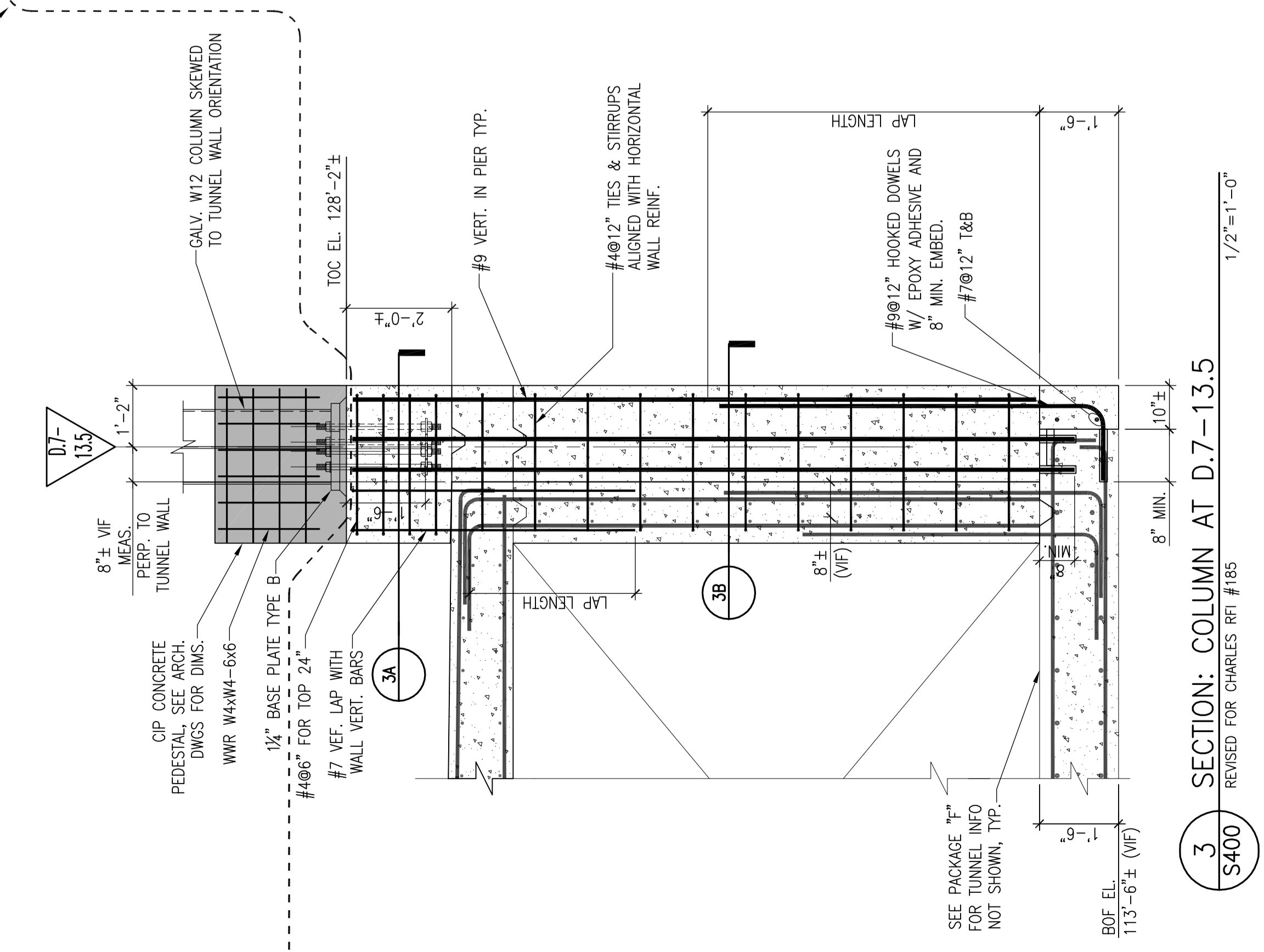
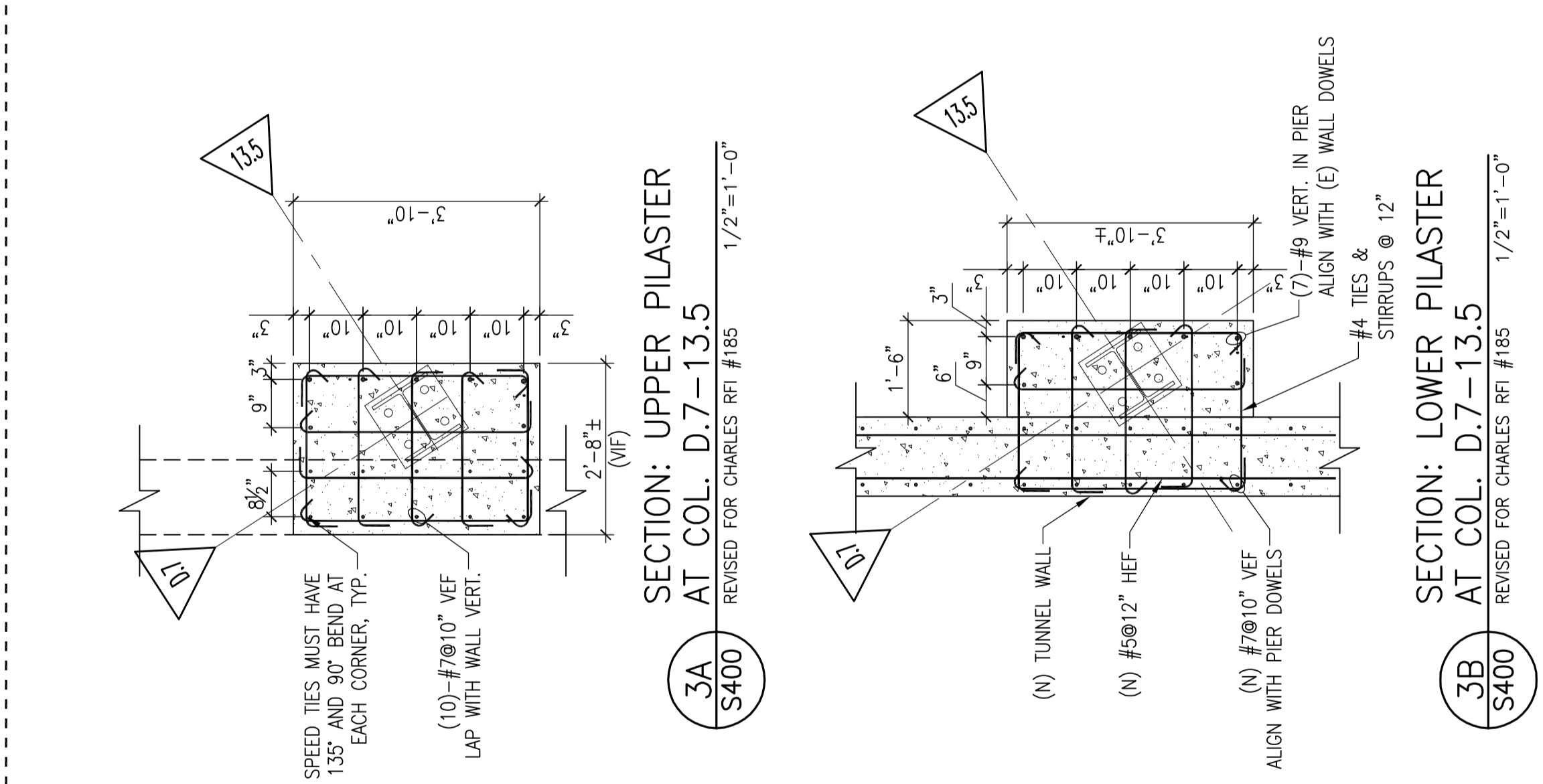
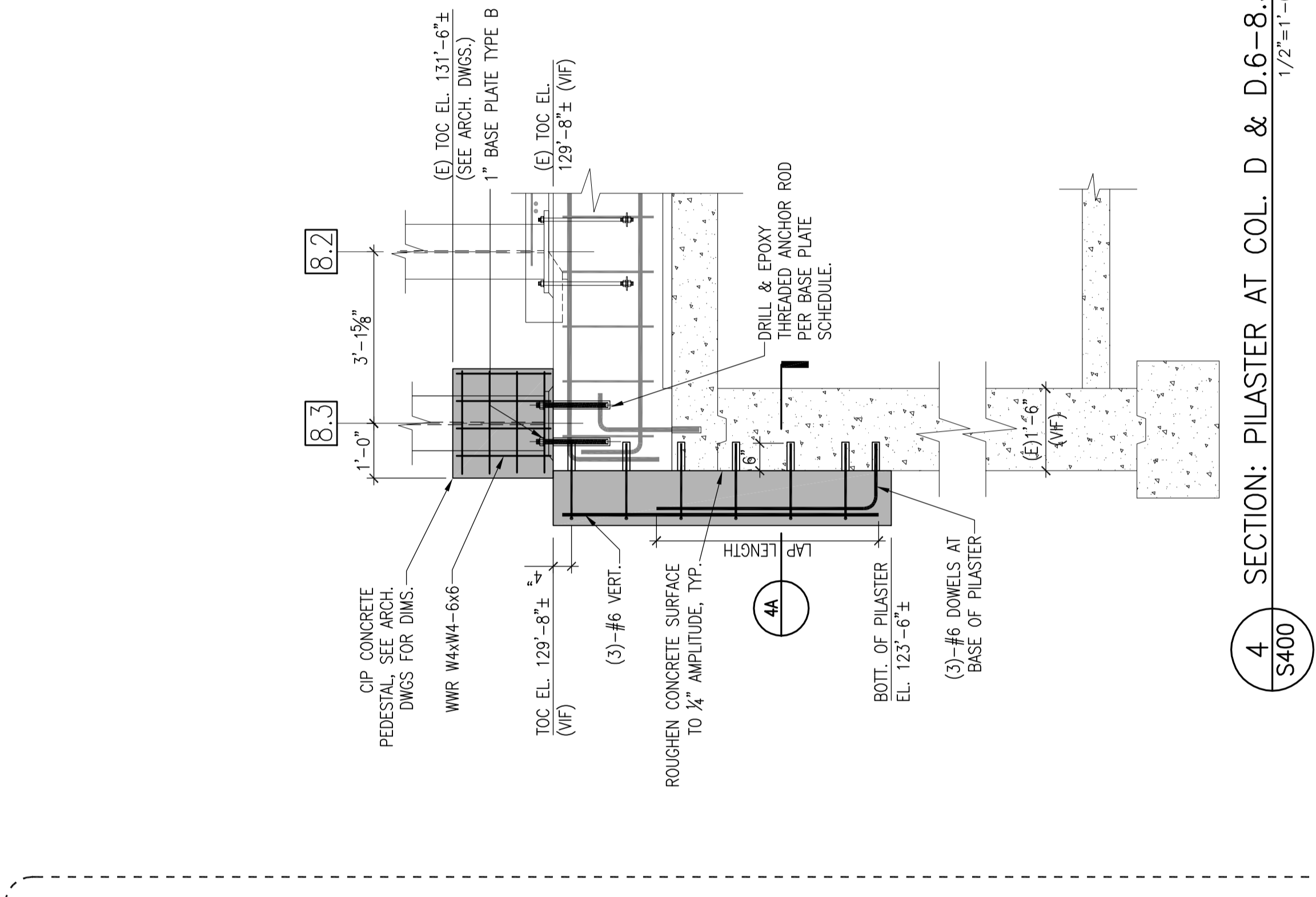
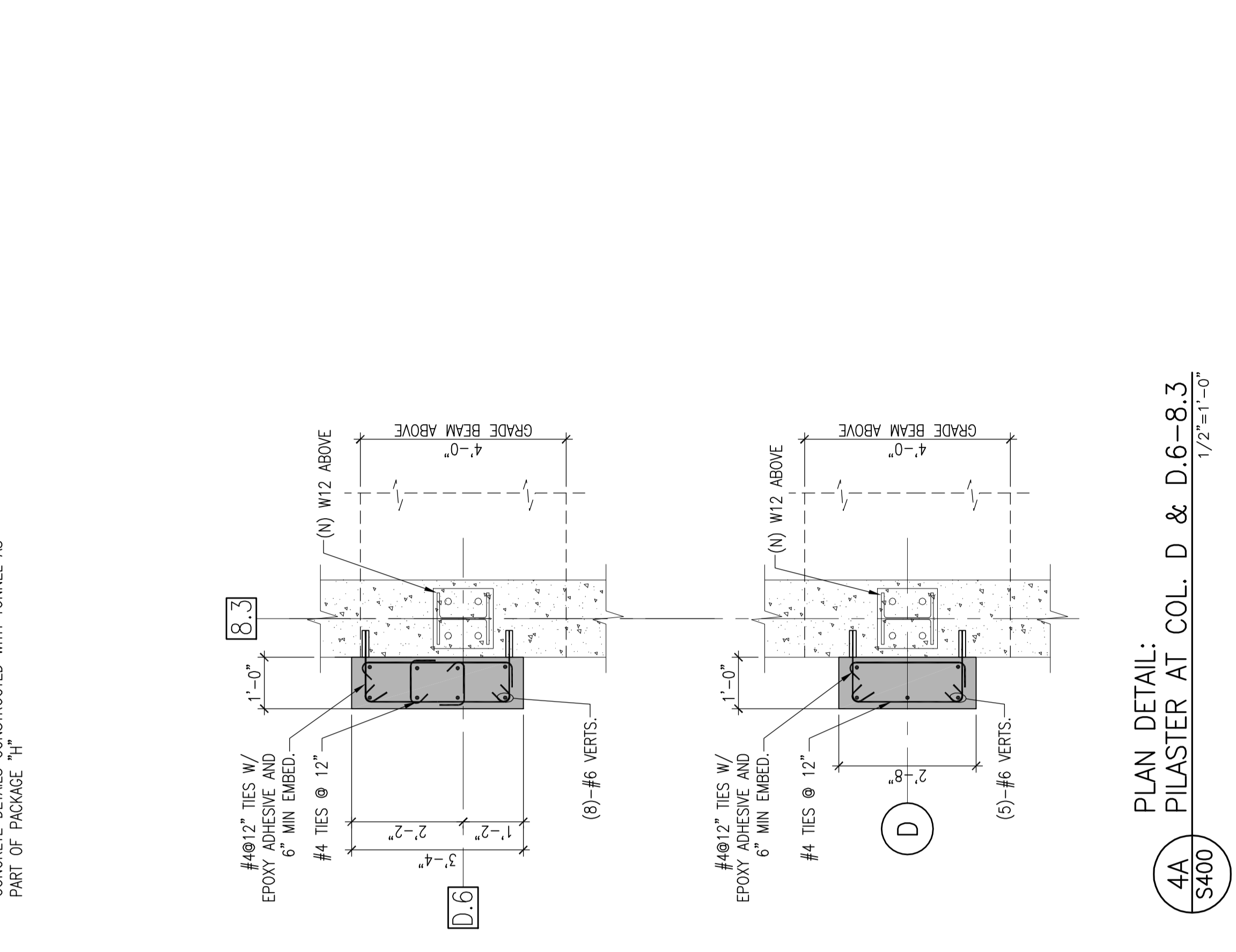
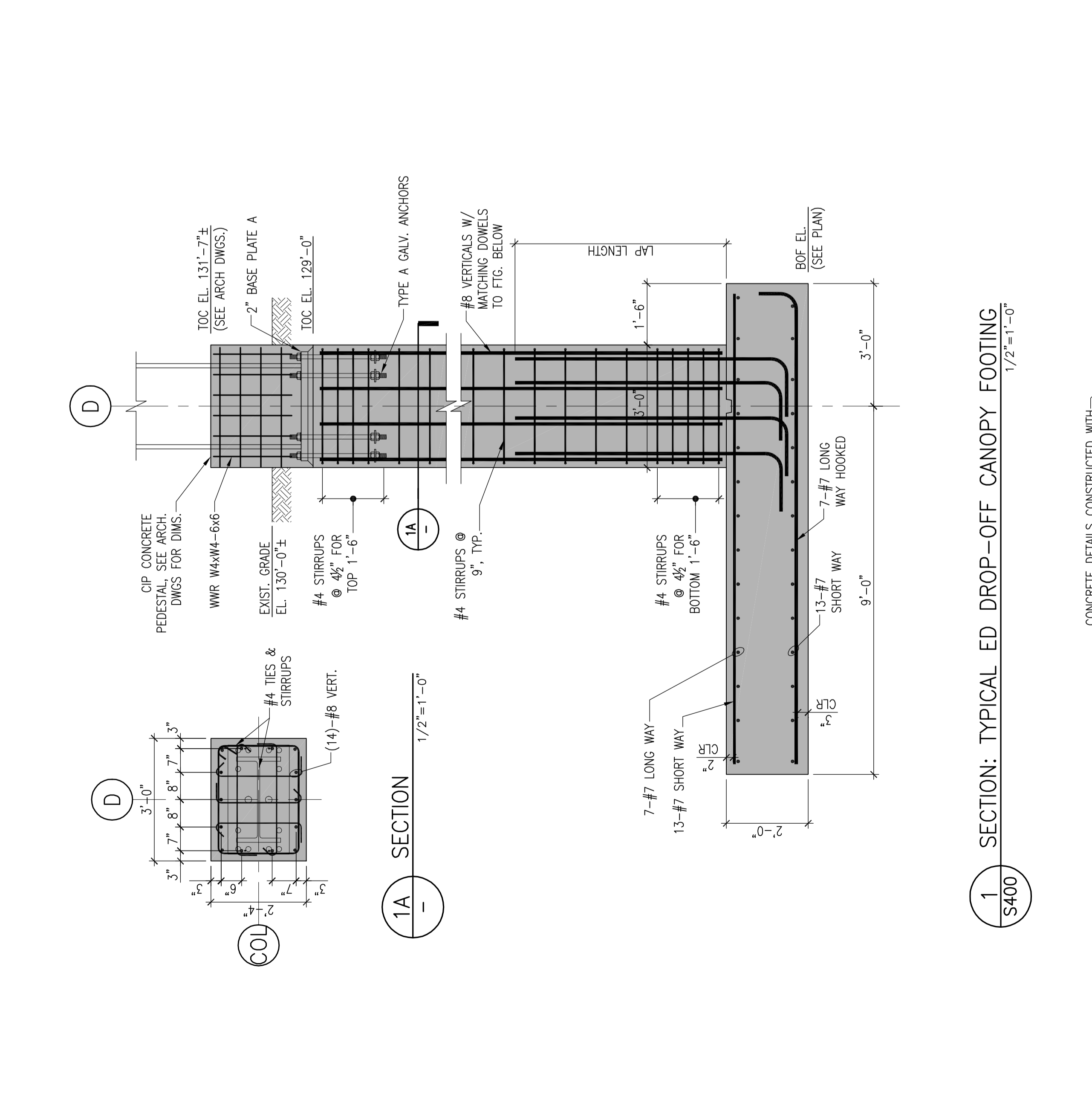
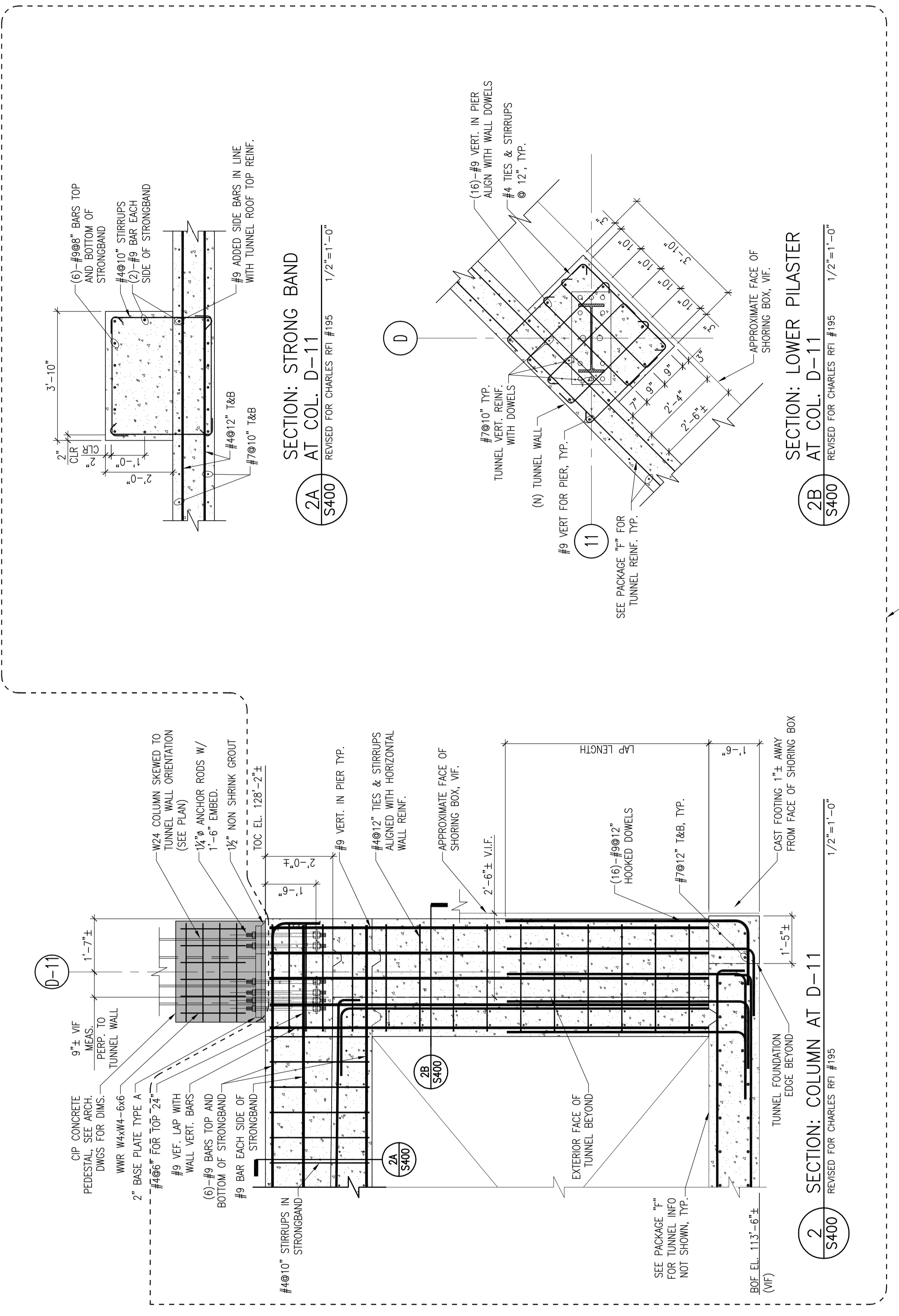
Maine Medical Center
 ED Expansion and Renovation
 Portland, Maine MMC Project No. 21843

CONCRETE SECTIONS AND DETAILS

Drawn By	MJB	Completion No.	4656
Approved By	JHT	Date Issued	12/14/07

Phase / Package Number	Sheet Number
	S400

Copyright © 2007 TR Jung Brannen



PLAN DETAIL: PILASTER AT COL. D & D.6-8.3

SECTION: PILASTER AT COL. D & D.6-8.3

SECTION: UPPER PILASTER

SECTION: LOWER PILASTER

Copyright © 2007 TR Jung Brannen