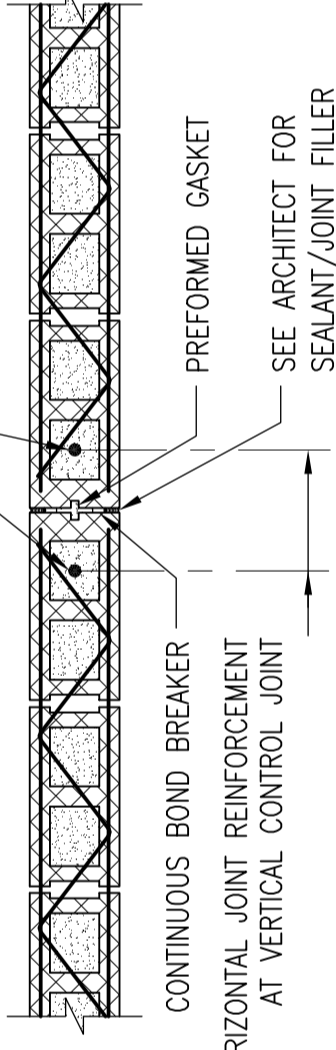


General Notes:

PROVIDE ONE REINFORCING BAR ON EACH SIDE OF VERTICAL CONTROL JOINT REINFORCING BAR SIZE TO MATCH TYPICAL WALL REINFORCEMENT SIZE.

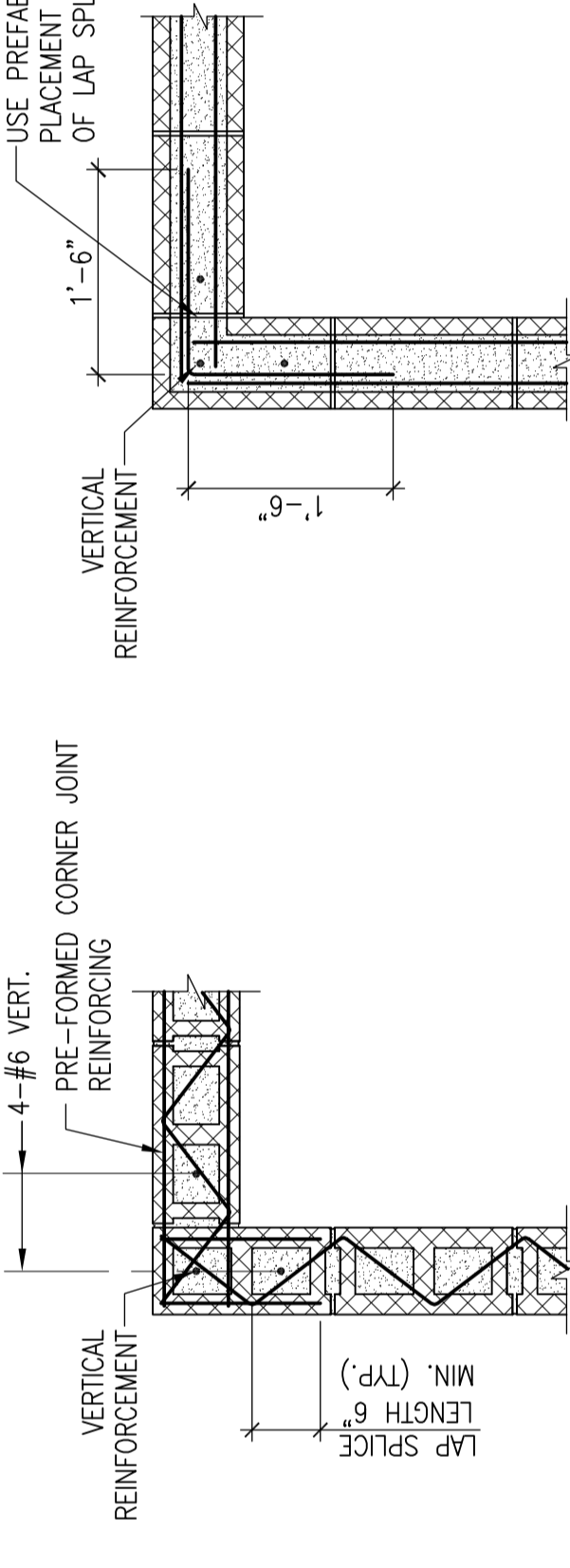
CONTROL SPACING CRITERIA

- 25'-0" O.C. (MAX)
- 3 TIMES THE WALL HEIGHT
- WITHIN 2'-0" OF A CORNER OR INTERSECTION
- NO CLOSERS THAN 2'-0" TO ANY OPENING IN THE WALL
- AT CHANGES IN HEIGHT OR AT STRUCTURAL AND NON-STRUCTURAL (PARTITION) WALLS



TM-2 VERTICAL CONTROL JOINT IN CMU WALLS

N.T.S.



- NOTES:
- PROVIDE VERTICAL STEEL REINFORCING BAR ON EACH SIDE OF CORNER SECTION, OR IN GENERAL NOTES TO MATCH ADJACENT VERTICAL BARS
  - SIZE OF HORIZONTAL CORNER REINFORCING BARS TO MATCH BOND BEAM REINFORCING
  - VERTICAL REINFORCING NOT SHOWN FOR CLARITY
  - VERTICAL REINFORCING BARS TO EXTEND CONTINUOUSLY THROUGH BOND BEAMS, LAP VERTICALS AS PER SCHEDULE ABOVE BOND BEAMS.

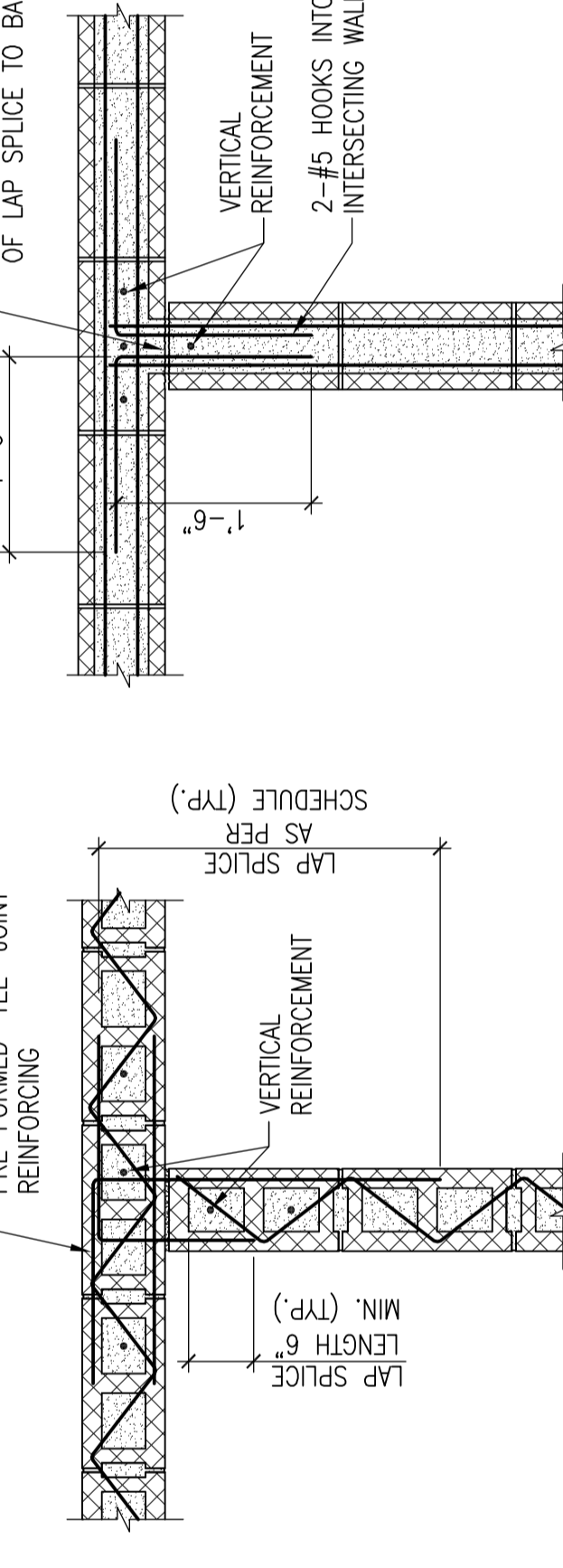
TYPICAL WALL SECTION

SECTION AT BOND BEAM

TM-3 HORIZONTAL CMU WALL CORNER REINFORCEMENT DETAIL

N.T.S.

USE PREFABRICATED BLOCK OR CUT OUT FACE SHELL TO ALLOW PLACEMENT OF REINFORCING BARS AND GROUT. HOOK PER SCHEDULE OF LAP SPlice TO BARS IN EACH WALL



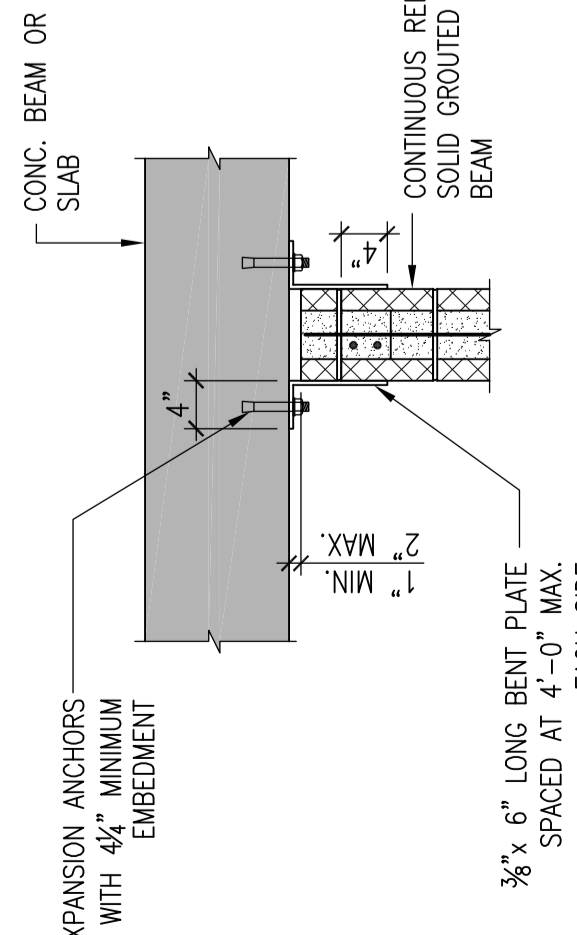
- NOTES:
- SIZE OF HORIZONTAL INTERSECTION REINFORCING BARS TO MATCH BOND BEAM REINFORCING
  - NORMAL JOINT AND BOND BEAM REINFORCING NOT SHOWN FOR CLARITY
  - VERTICAL REINFORCING BARS TO EXTEND CONTINUOUSLY THROUGH BOND BEAMS, LAP VERTICALS AS PER SCHEDULE ABOVE BOND BEAMS.

TYPICAL WALL SECTION

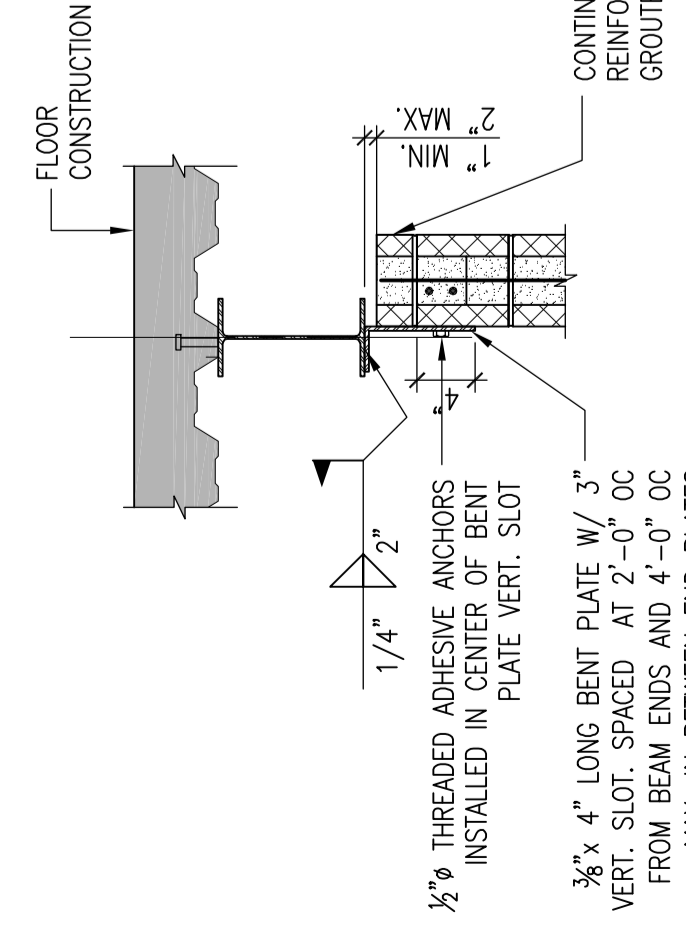
SECTION AT BOND BEAM

TM-5 HORIZONTAL CMU WALL INTERSECTION REINFORCEMENT DETAIL

N.T.S.



WALL UNDER CONC. BEAM OR SLAB

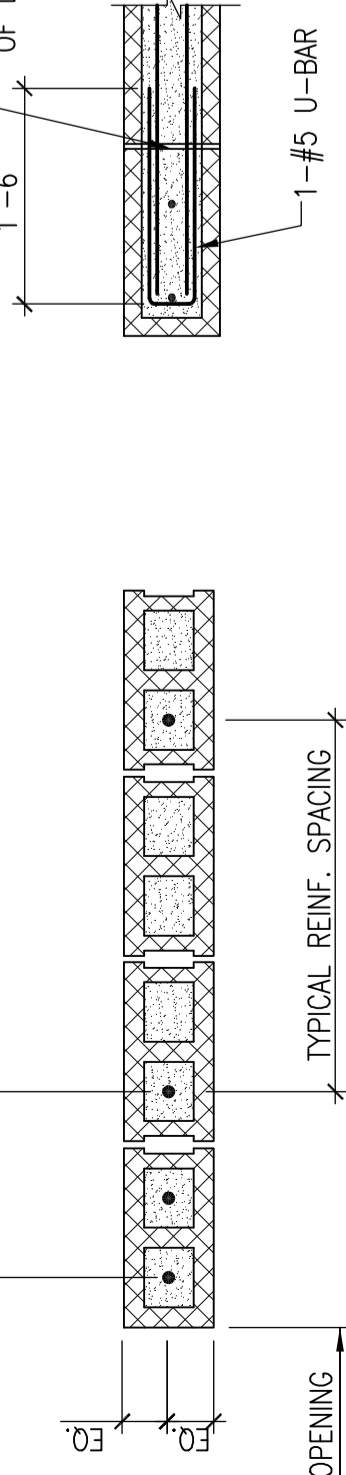


WALL OUTSIDE OF BEAM CENTERLINE

TM-1 LATERAL SUPPORT FOR TOP OF CMU WALLS

N.T.S.

FOR SIZE AND NUMBER OF REINF. BARS UNLESS OTHERWISE NOTED, PLACE STEEL ONE BAR PER CORE AS SHOWN.



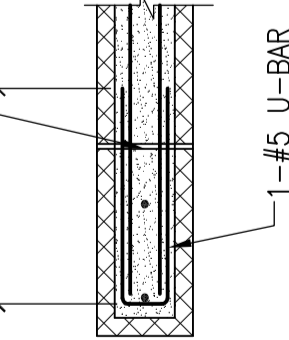
TYPICAL WALL SECTION

SECTION AT BOND BEAM

TM-4 HORIZONTAL CMU JAMB REINFORCEMENT DETAIL

N.T.S.

USE PREFABRICATED BLOCK OR CUT OUT FACE SHELL TO ALLOW PLACEMENT OF REINFORCING BARS AND GROUT. HOOK PER SCHEDULE OF LAP SPlice TO BARS IN EACH WALL



- NOTES:
- NORMAL JOINT AND BOND BEAM REINFORCING NOT SHOWN FOR CLARITY
  - VERTICAL REINFORCING BARS TO EXTEND CONTINUOUSLY THROUGH BOND BEAMS, LAP VERTICALS AS PER SCHEDULE ABOVE BOND BEAMS.

TYPICAL WALL SECTION

SECTION AT BOND BEAM

General Notes:

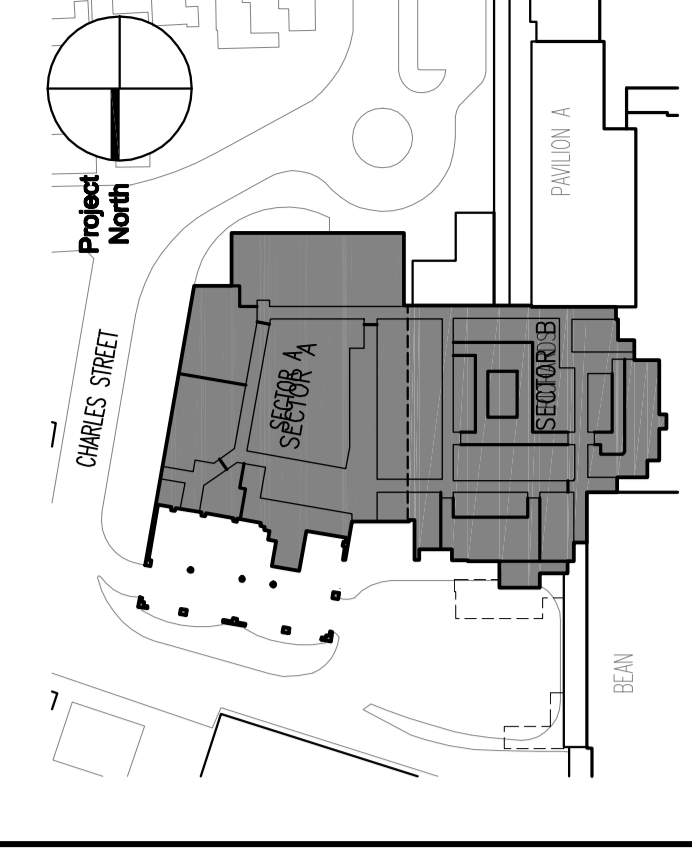
**SIMPSON GUMPERTZ & HEGER**  
Engineering of Structures  
and building enclosures

Boston  
Los Angeles  
New York  
San Francisco  
Washington, DC

Simpson Gumpertz & Heger Inc.  
41 Seyon Street, Building 1, Suite 500  
Boston, MA 02111  
Tel: 781.902.7600 Fax: 781.902.7609  
www.sgh.com

MARK	ISSUE DATE	DESCRIPTION
BD	12/14/07	BD SET

Issue Log



Key Plan

**TRO Jung | Brannen**

ARCHITECTURE INTERIORS DESIGN ENGINEERING MASTER PLANNING

22 Boston Wharf Road, Boston, Massachusetts 02210  
Tel: 617.252.2800 Fax: 617.252.2400 www.trojungbrannen.com

**Maine Medical Center**  
ED Expansion and Renovation  
Portland, Maine MMC Project No. 21843

Drawing Title  
**TYPICAL CMU DETAILS**

Drawn By	MJB	Commission No.	4686
Approved By	JHT	Date Issued	12/14/07
Phase / Package Number	Sheet Number		
			<b>S103</b>

Copyright © 2007 TRB JungBrannen