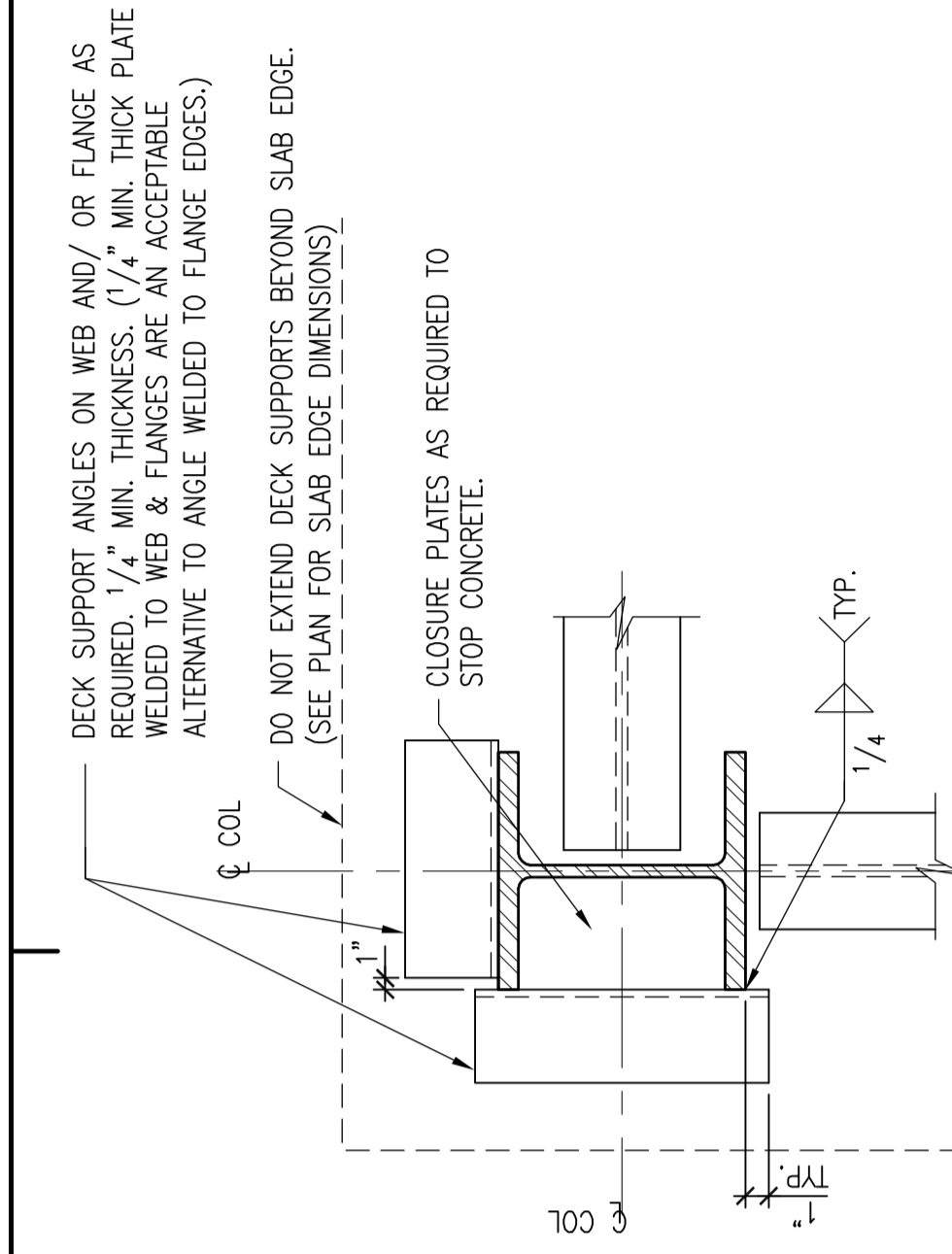


General Notes:



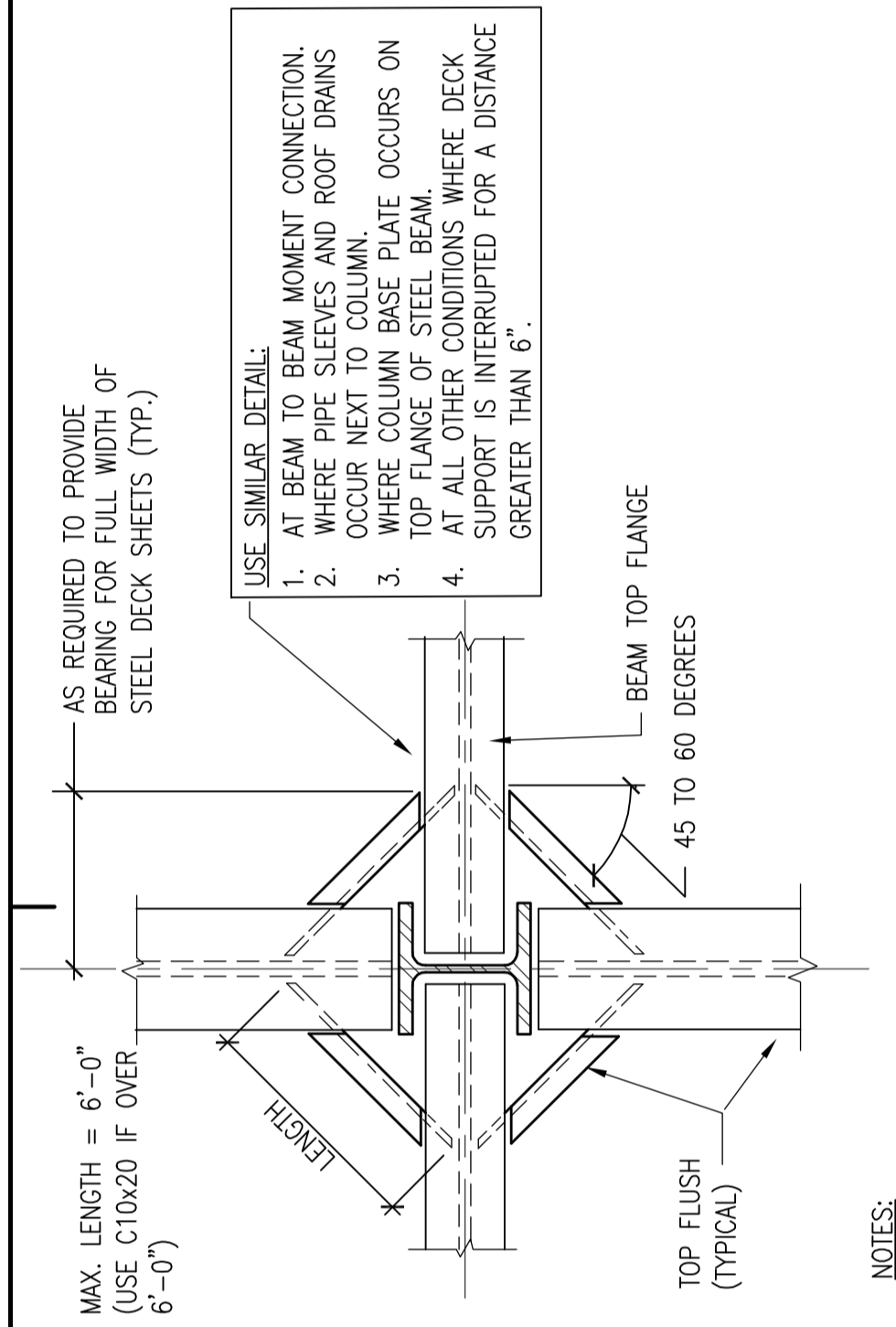
DECK SUPPORT ANGLES ON WEB AND/OR FLANGE AS REQUIRED.  $1/4"$  MIN. THICKNESS.  $1/4"$  MIN. THICK PLATE WELDED TO WEB & FLANGES ARE AN ACCEPTABLE ALTERNATIVE TO ANGLE WELDED TO FLANGE EDGES.)

DO NOT EXTEND DECK SUPPORTS BEYOND SLAB EDGE. (SEE PLAN FOR SLAB EDGE DIMENSIONS)

CLOSURE PLATES AS REQUIRED TO STOP CONCRETE.

POUR STOPS, CONTINUOUS ALONG SLAB EDGE, NOT SHOWN FOR CLARITY.

TS-18 DECK SUPPORT AT PERIMETER COLUMNS N.T.S.



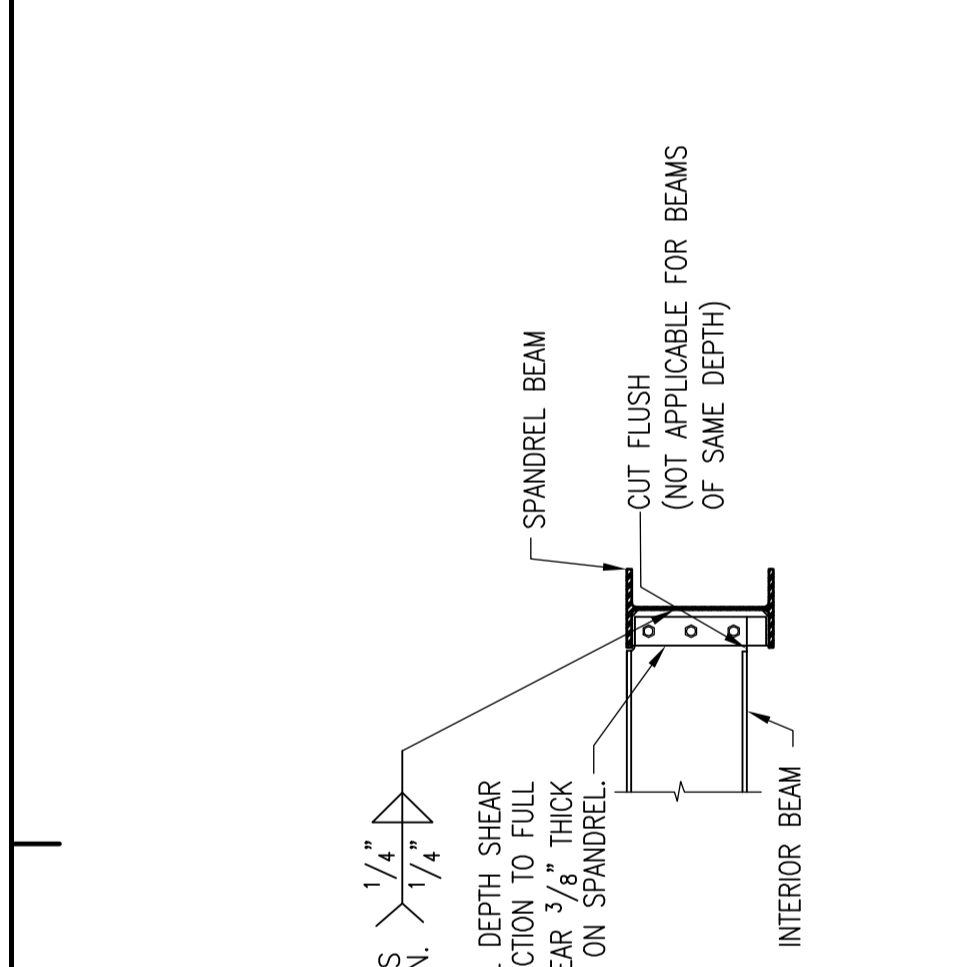
AS REQUIRED TO PROVIDE BEARING FOR FULL WIDTH OF STEEL DECK SHEETS (TYP.)

USE DIAGONAL DECK SUPPORT ANGLE JUST CLEARING THE COLUMN AT CONDITIONS WHERE TOP FLANGE OF GIRDER 90 DEGREES TO DECK SPAN IS BUTT WELDED TO COLUMN.

USE SIMILAR DETAIL:

1. AT BEAM TO BEAM MOMENT CONNECTION. PROVIDE FULL WIDTH OF STEEL DECK SHEETS AND ROOF DRAINS OCCUR NEXT TO COLUMN.
2. WHERE COLUMN BASE PLATE OCCURS ON TOP FLANGE OF STEEL BEAM.
3. AT ALL OTHER CONDITIONS WHERE DECK SHEET IS INTERRUPTED FOR A DISTANCE GREATER THAN 6".

TS-17 DECK SUPPORT AT COLUMNS AND OBSTRUCTIONS N.T.S.

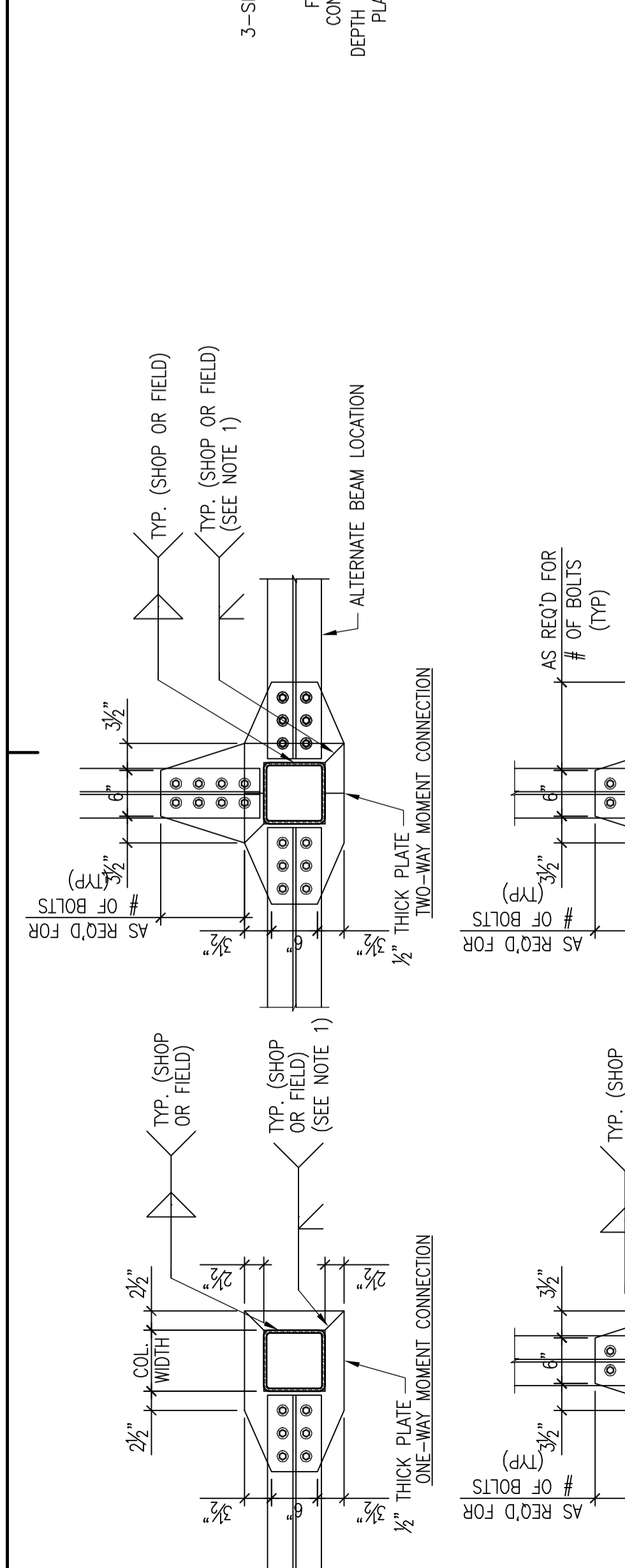


MAX. LENGTH = 6'-0" (USE 1/2" O.C. OR 6'-0")

USE SIMILAR DETAIL:

1. AT BEAM TO BEAM MOMENT CONNECTION. PROVIDE FULL WIDTH OF STEEL DECK SHEETS AND ROOF DRAINS OCCUR NEXT TO COLUMN.
2. WHERE COLUMN BASE PLATE OCCURS ON TOP FLANGE OF STEEL BEAM.
3. AT ALL OTHER CONDITIONS WHERE DECK SHEET IS INTERRUPTED FOR A DISTANCE GREATER THAN 6".

TS-16 TYPICAL BEAM FRAMING TO SPANDREL BEAM CONNECTION N.T.S.



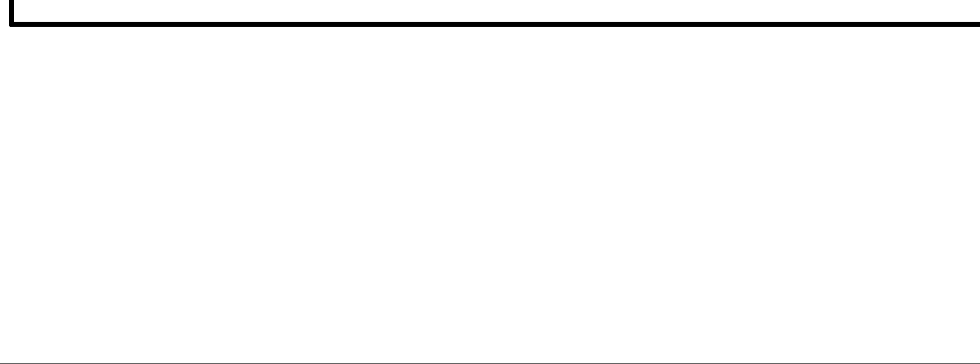
PARAMETERS FOR DECK CUT REINFORCEMENT POUR

DEPTH OF DECK	DECK GAUGE	REINFORCING SHEET THICKNESS	MAX. CLEAR SPAN OF DECK
1 1/2"	20	13 GA.	5'-0"
3"	18	12 GA.	6'-0"
	16	12 GA.	7'-0"
	20	12 GA.	7'-0"
	18	7/8" OR 10 GA.	8'-0"
	16	7/8" OR 10 GA.	9'-0"

NOTES:

1. LODE = 1'-0" MIN.
2. DETAIL DOES NOT APPLY TO OPENINGS SHOWN ON PLAN WITH STEEL SUBFRAMING.
3. EXCEEDING MAXIMUM SPAN LIMITS, ADD SUBFRAMING PER TYPICAL DETAILS.
4. DETAIL APPLIES TO OPENINGS SPACED NO CLOSER THAN 5'-0" CLEAR IN DIRECTION TRANSVERSE TO DECK RISERS AND NO CLOSER THAN 10'-0" CLEAR IN DIRECTION PARALLEL TO RISERS. REVIEW WITH ENGINEER SPECIFIC CONDITIONS THAT MAY BE ALLOWED FOR THIS DETAIL.
5. ALLOW ADJUSTMENTS TO THE SPECIFIED PARAMETERS OF THE DETAIL.

TS-15 STANDARD WIDE FLANGE BEAM TO HSS COLUMN MOMENT CONNECTION N.T.S.



EDGE OPENING TO 1'-6" PERPENDICULAR TO DECK

NOTES:

1. NO REINFORCEMENT NEEDED WHERE 'L' IS 6 INCHES OR LESS.

TS-19 ROOF DECK OPENING REINFORCEMENT N.T.S.



EDGE OPENING TO 1'-6" PERPENDICULAR TO DECK

NOTES:

1. NO REINFORCEMENT NEEDED WHERE 'L' IS 6 INCHES OR LESS.

TS-20 ROOF DECK EDGE SUPPORT N.T.S.



PROVIDE LEVELING NUTS AND SHIM PACKS AS REQUIRED TO MAINTAIN COLUMN LEVELNESS.

MATCH SURFACE PREPARATION AND FINISH OF BEARING PLATE, ANCHOR RODS, WASHERS, AND WASHER PLATES TO THAT OF COLUMNS.

ADHESIVE ANCHOR WITH 12" MIN. EMBEDMENT INTO EXISTING CONCRETE

TS-23 COLUMN BASE AND ANCHOR ROD DETAILS N.T.S.



EDGE OPENING TO 1'-6" PERPENDICULAR TO DECK

NOTES:

1. NO REINFORCEMENT NEEDED WHERE 'L' IS 6 INCHES OR LESS.

TS-22 COLUMN BASEPLATE DETAILS N.T.S.



EDGE OPENING TO 1'-6" PERPENDICULAR TO DECK

NOTES:

1. NO REINFORCEMENT NEEDED WHERE 'L' IS 6 INCHES OR LESS.

TS-24 LEAD CURTAIN SUPPORT ARM N.T.S.

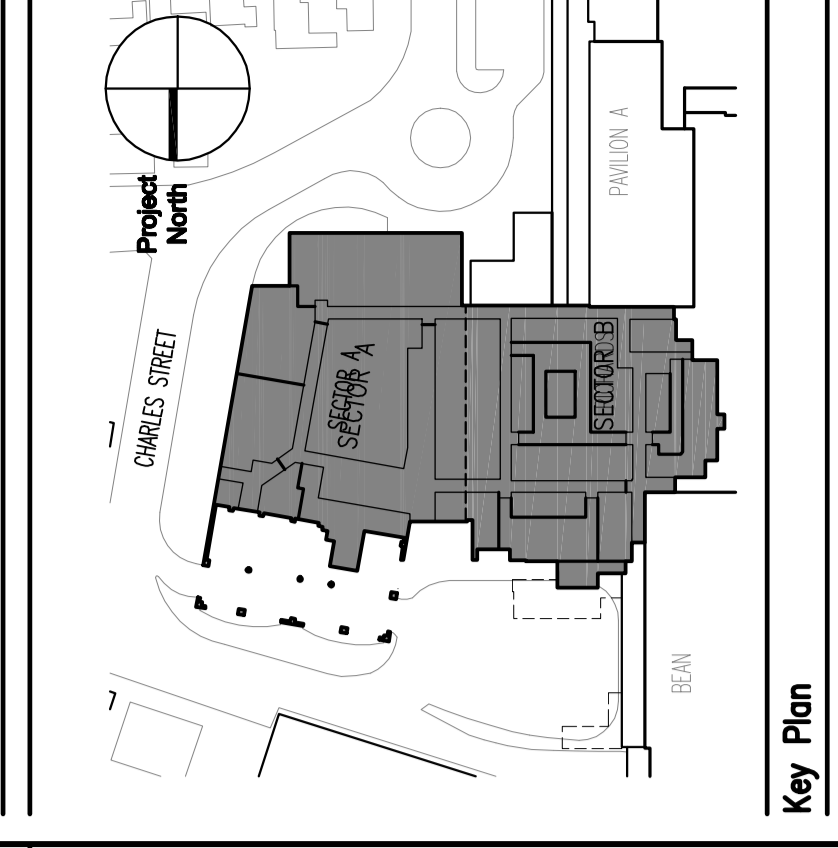
**SIMPSON GUMPERTZ & HEGER**  
Engineering of Structures  
and Building Enclosures

Boston  
Los Angeles  
New York  
San Francisco  
Washington, DC

Simpson Gumpertz & Heger Inc.  
41 Seyon Street, Building 1, Suite 500  
Boston, MA 02111  
Tel: 781.902.7600 Fax: 781.902.7609  
www.sgh.com

**ISSUE LOG**

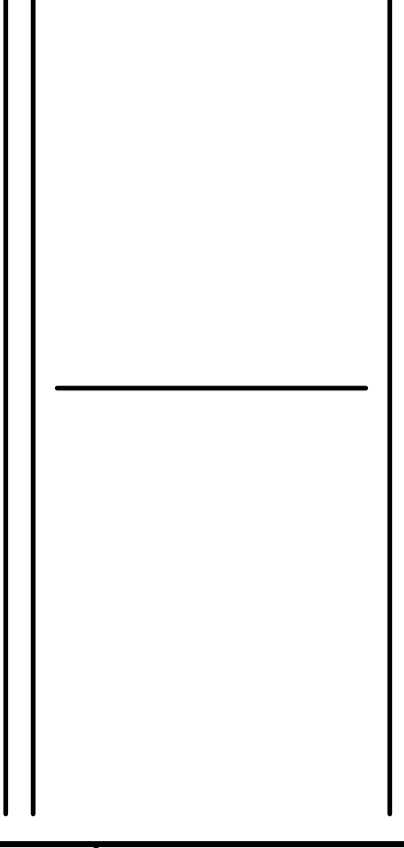
MARK	ISSUE DATE	DESCRIPTION
BD	12/14/07	BD SET



Key Plan

**TRO Jung | Brannen**  
ARCHITECTURE INTERIOR DESIGN ENGINEERING MASTER PLANNING

22 Boston Wharf Road, Boston, Massachusetts 02210  
Tel: 617.552.6000 Fax: 617.552.3400 www.trojungbrannen.com



**Maine Medical Center**  
ED Expansion and Renovation  
Portland, Maine MMC Project No. 21843

Drawing Title  
**TYPICAL STEEL DETAILS**  
(Sheet 2 of 2)

Drawn By	MLB	Combination No.	4686
Approved By	JMT	Date Issued	12/14/07
Phase / Package Number	Sheet Number		
			<b>S102</b>