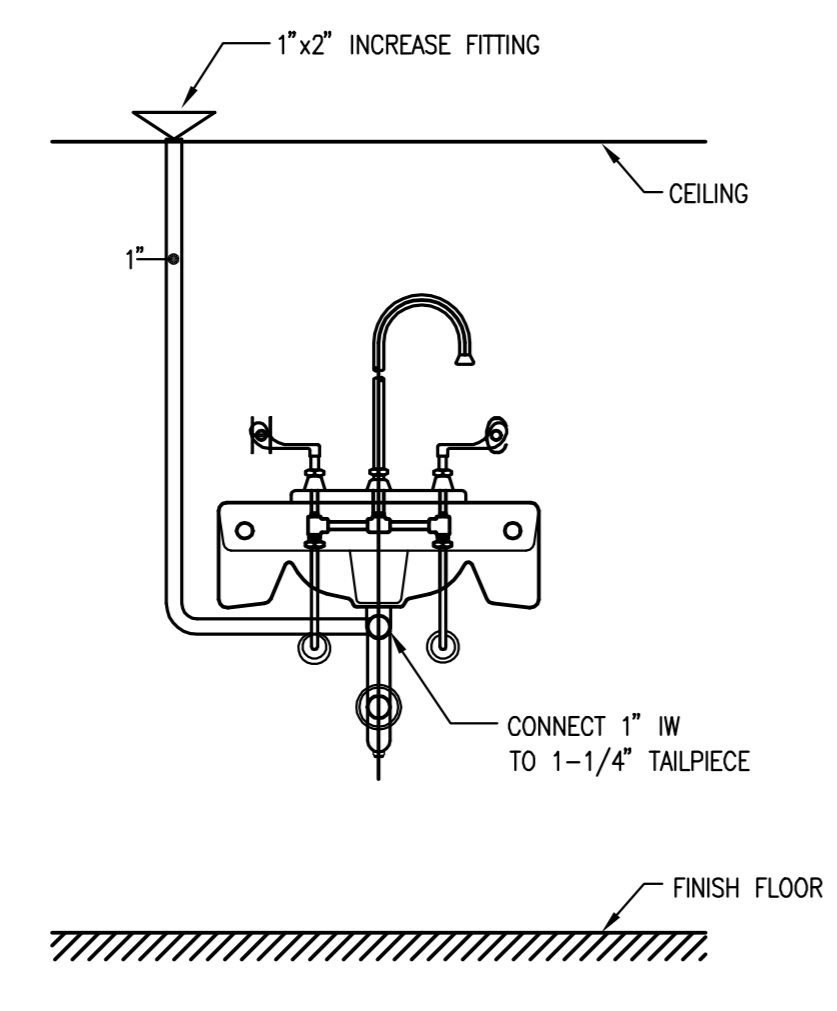
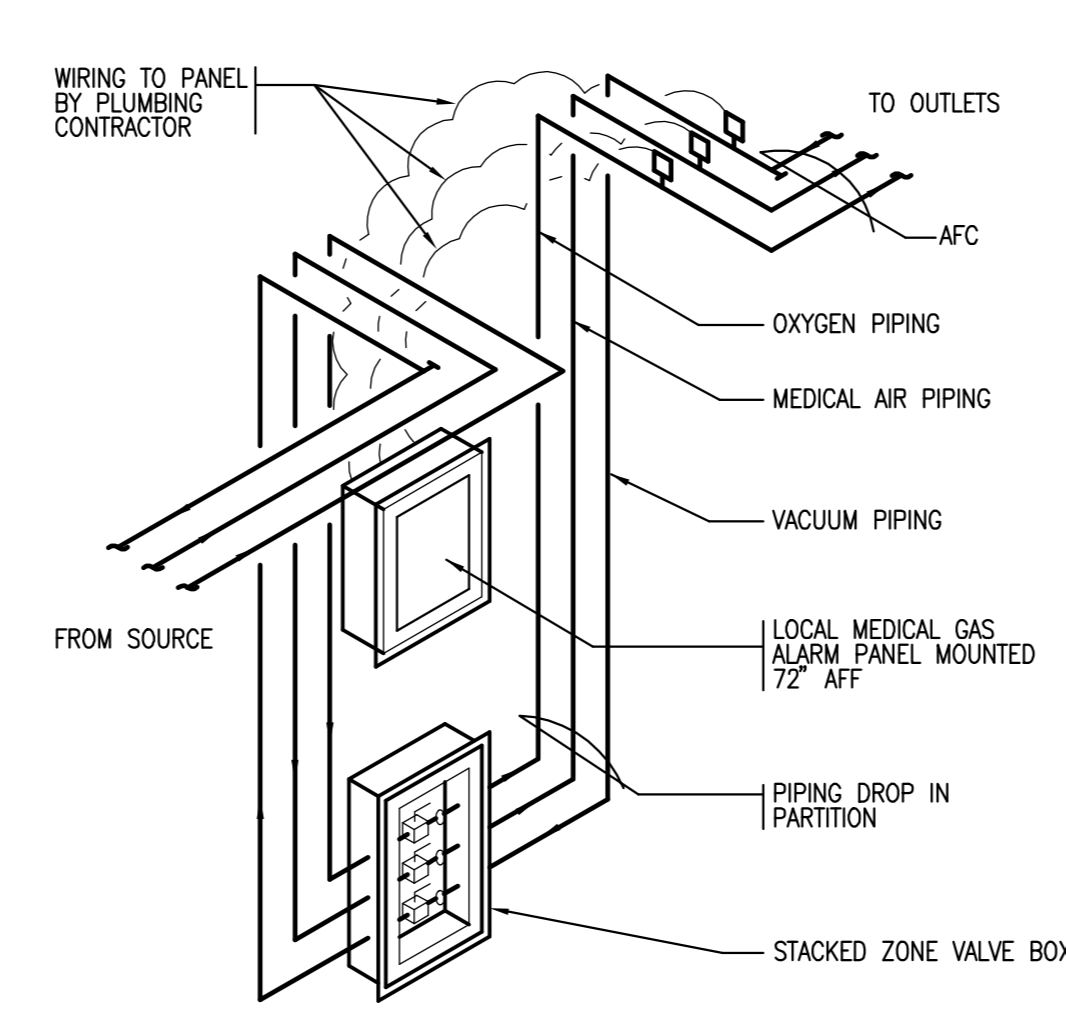


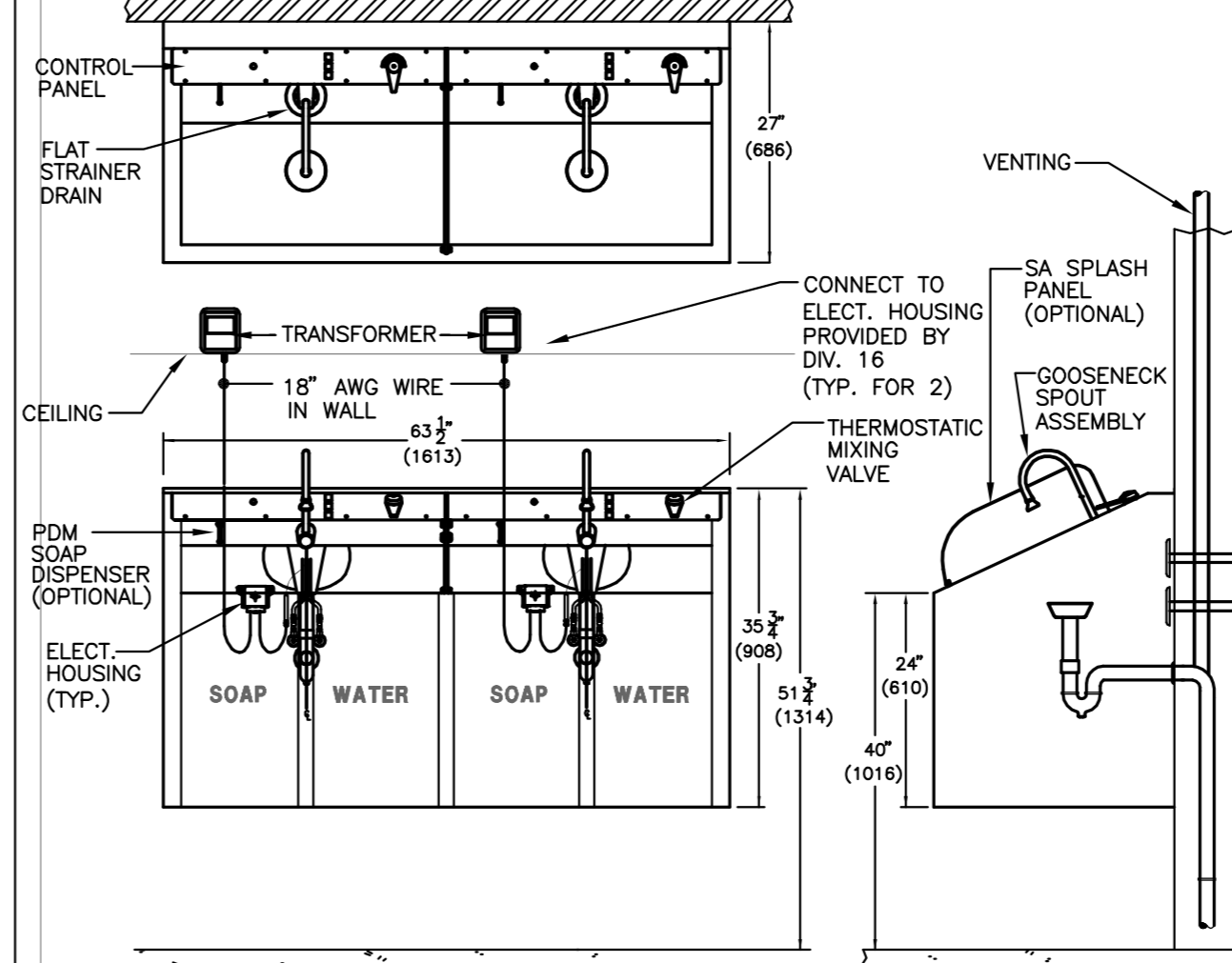
1 ACCESSIBLE LAVATORY  
SCALE: NTS



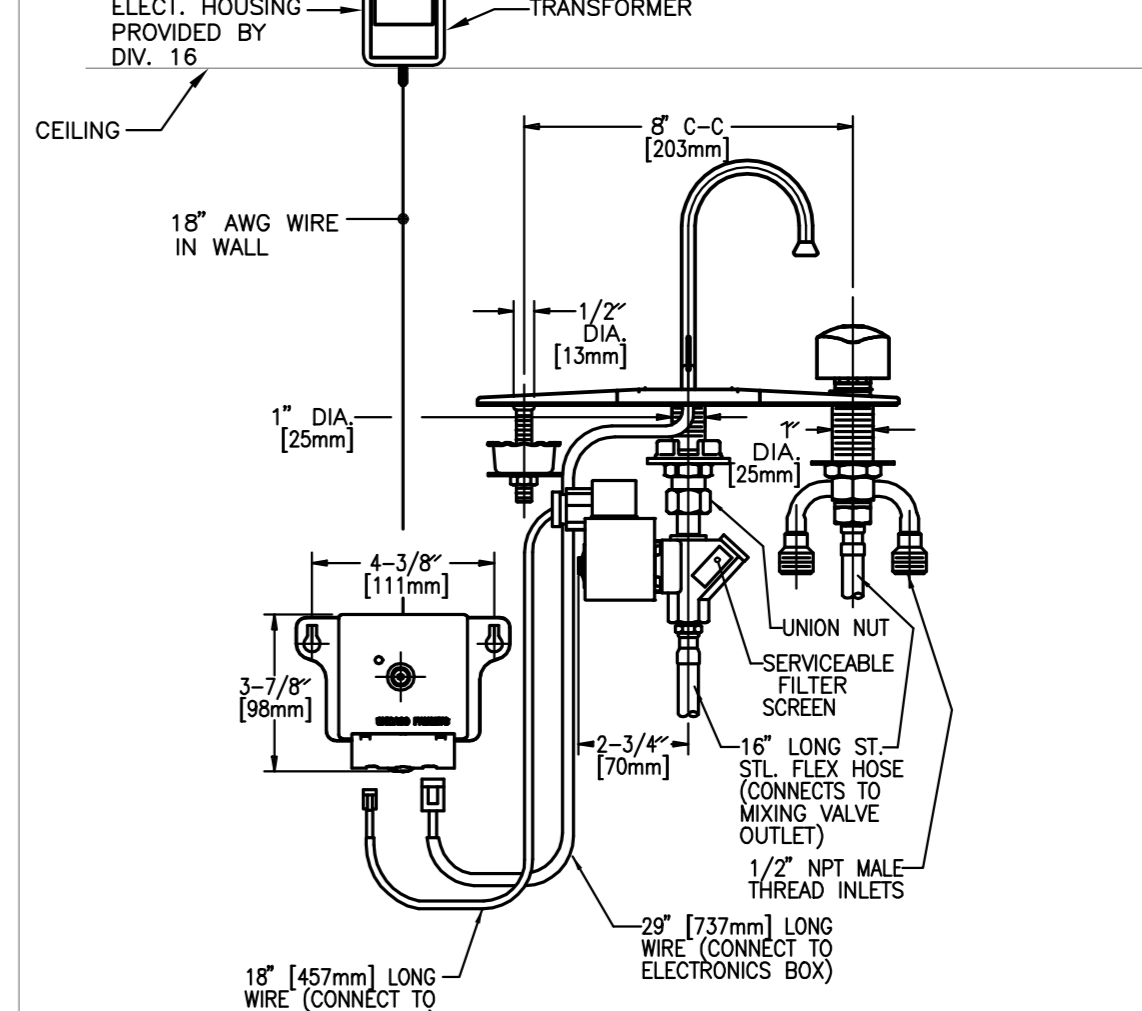
2 INDIRECT WASTE CONNECTION  
SCALE: NTS



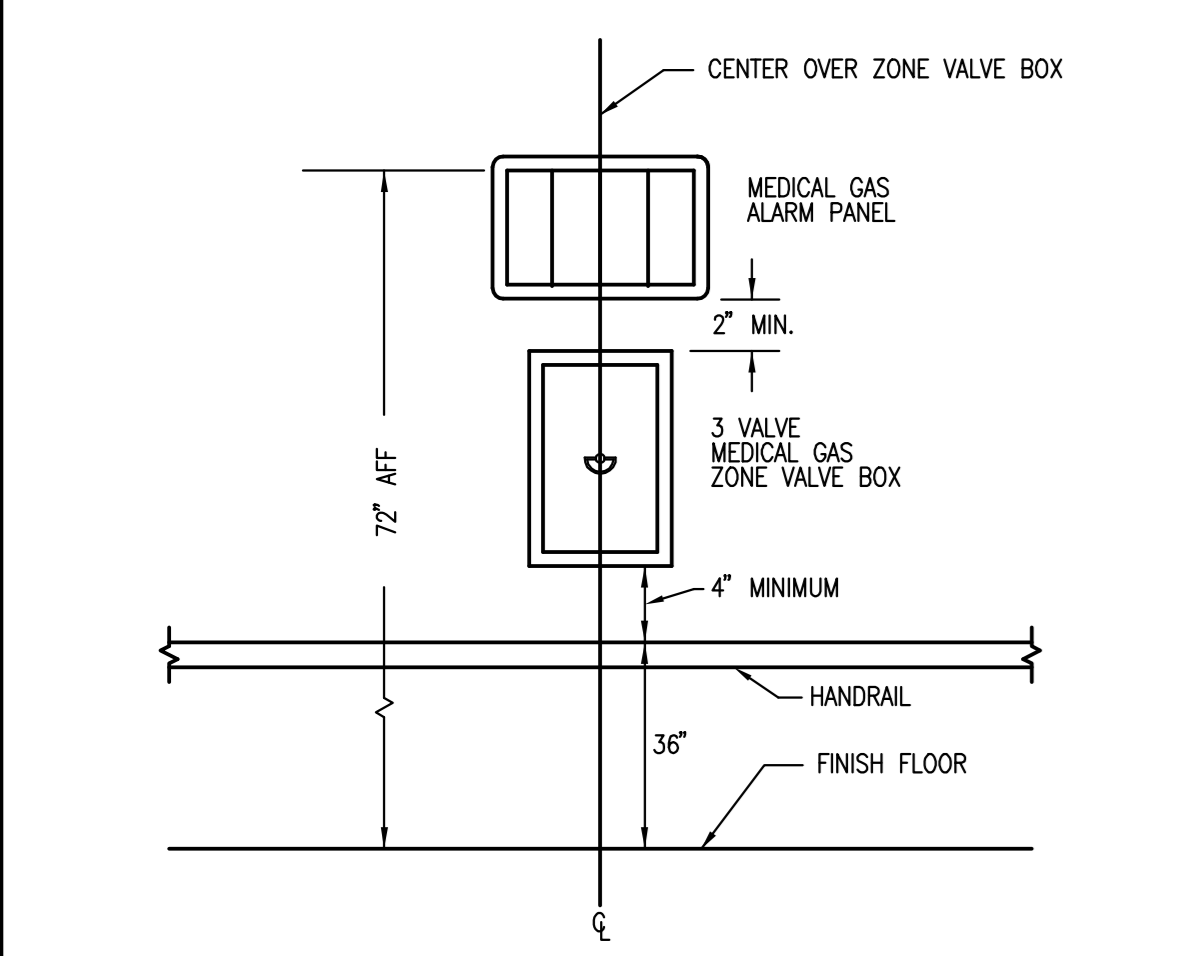
3 TYPICAL TRIPLE MEDICAL GAS ZONE VALVE BOX AND ALARM PANEL  
SCALE: NTS



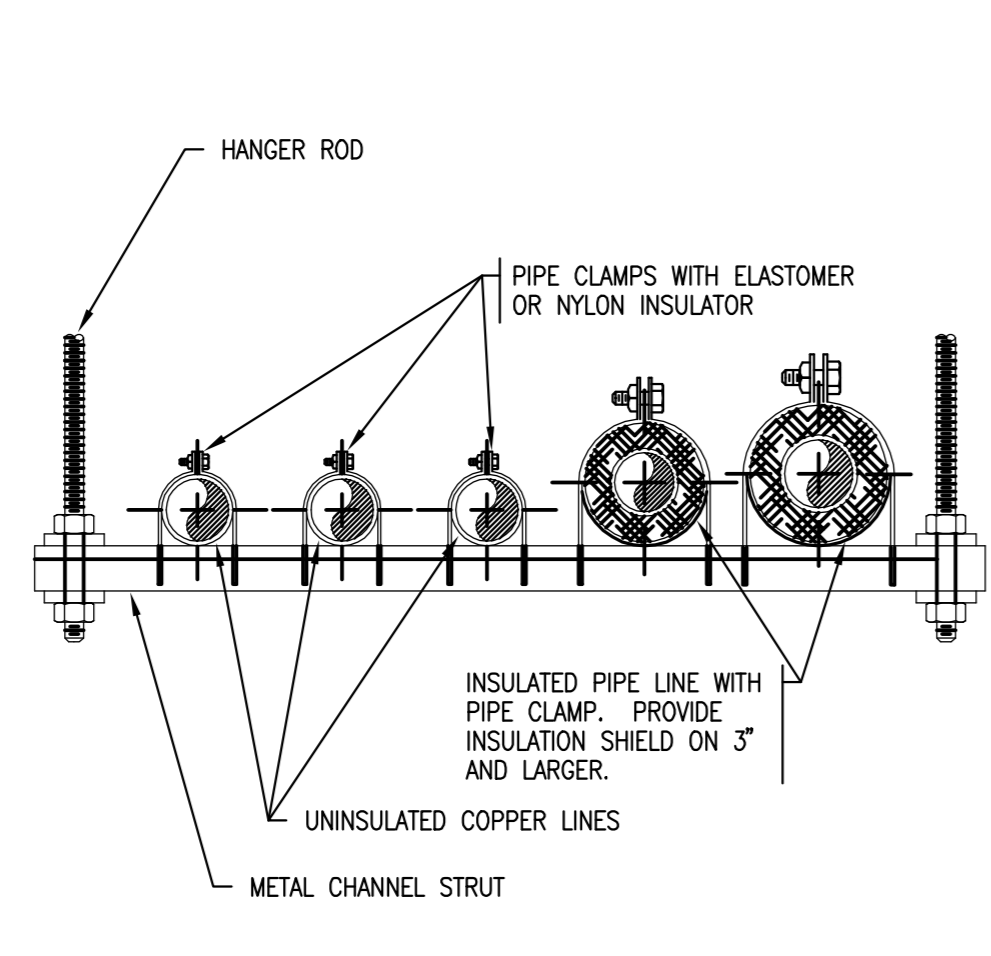
4 DOUBLE SCRUB SINK WITH SENSOR CONTROL FAUCET  
SCALE: NTS



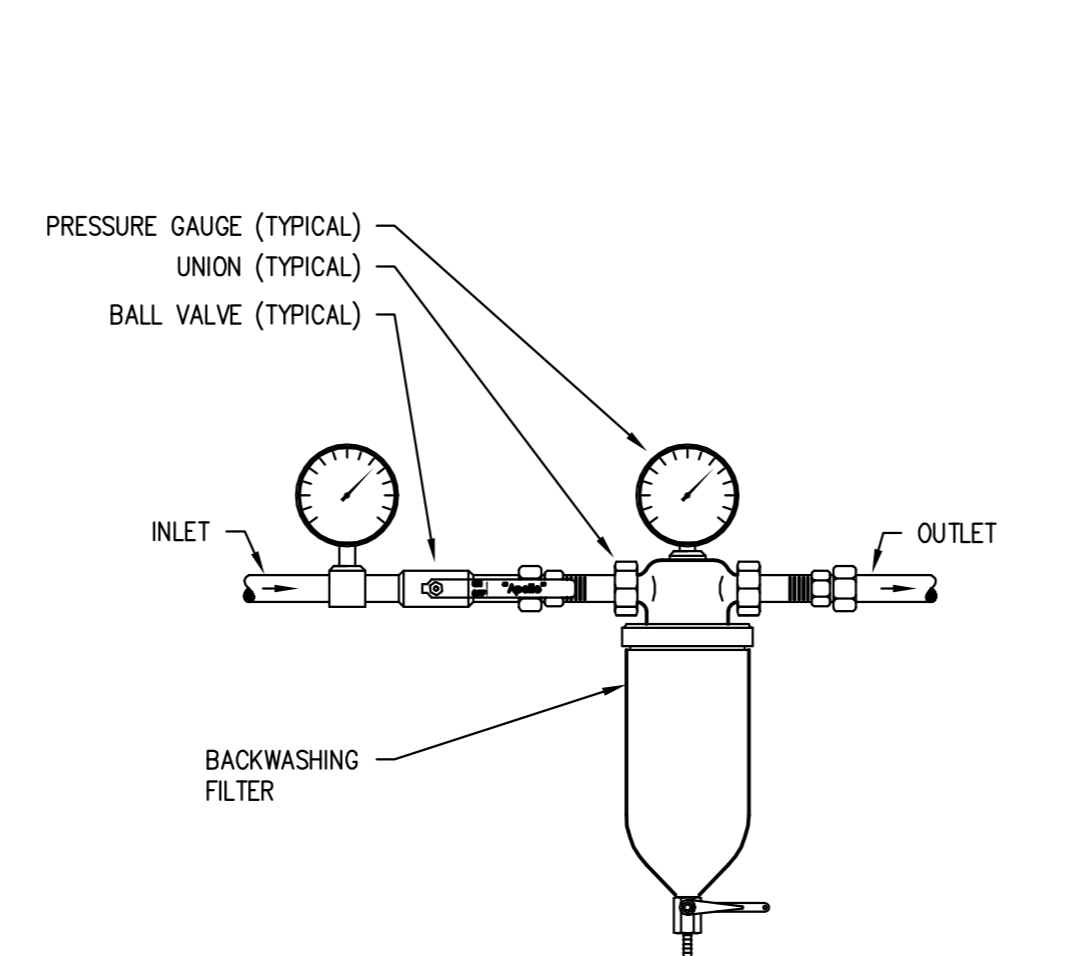
5 DOUBLE SCRUB SINK WITH SENSOR CONTROL FAUCET  
SCALE: NTS



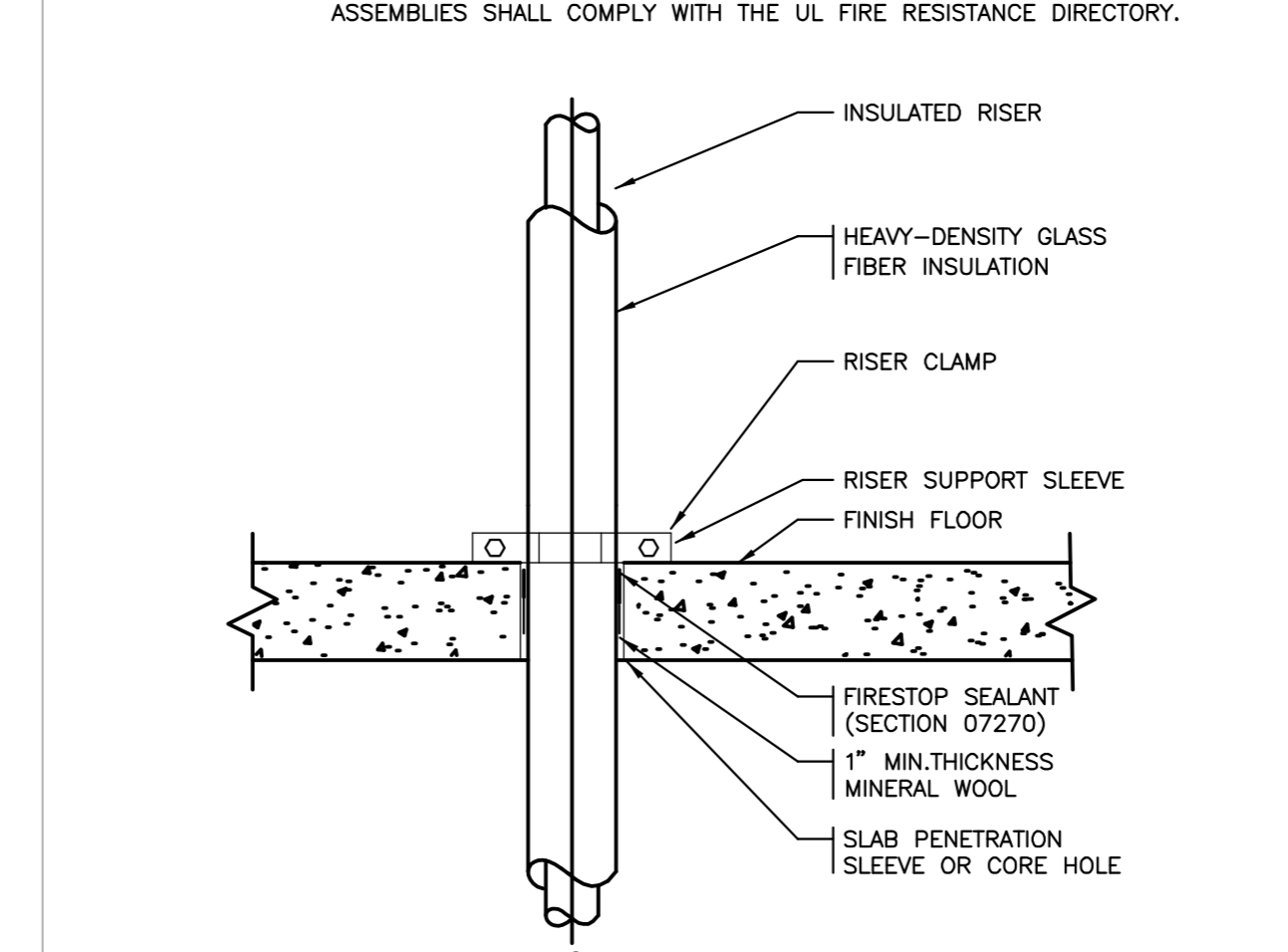
7 TRIPLE MEDICAL GAS ZONE VALVE BOX AND ALARM ELEVATION  
SCALE: NTS



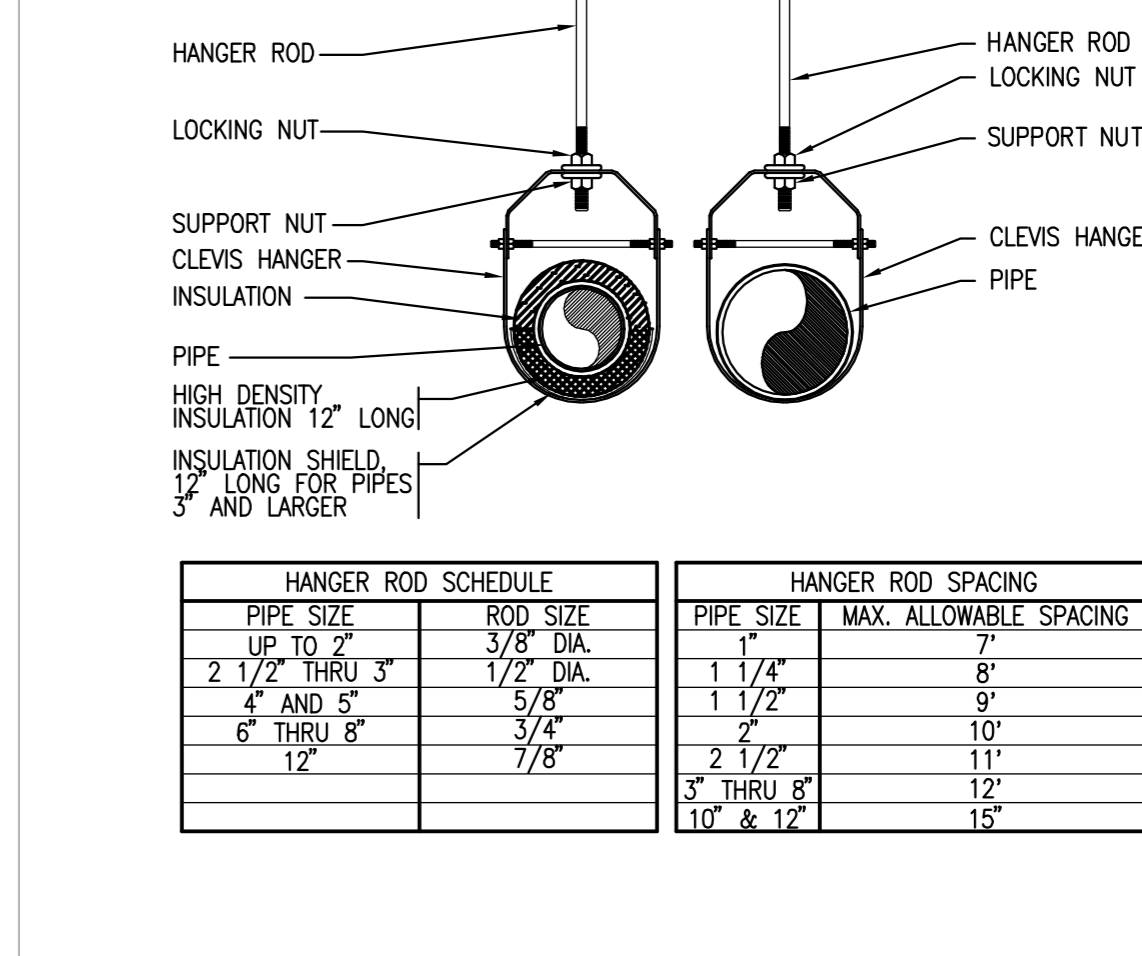
8 TRAPEZE PIPE HANGER  
SCALE: NTS



9 EQUIPMENT WATER FILTER  
SCALE: NTS



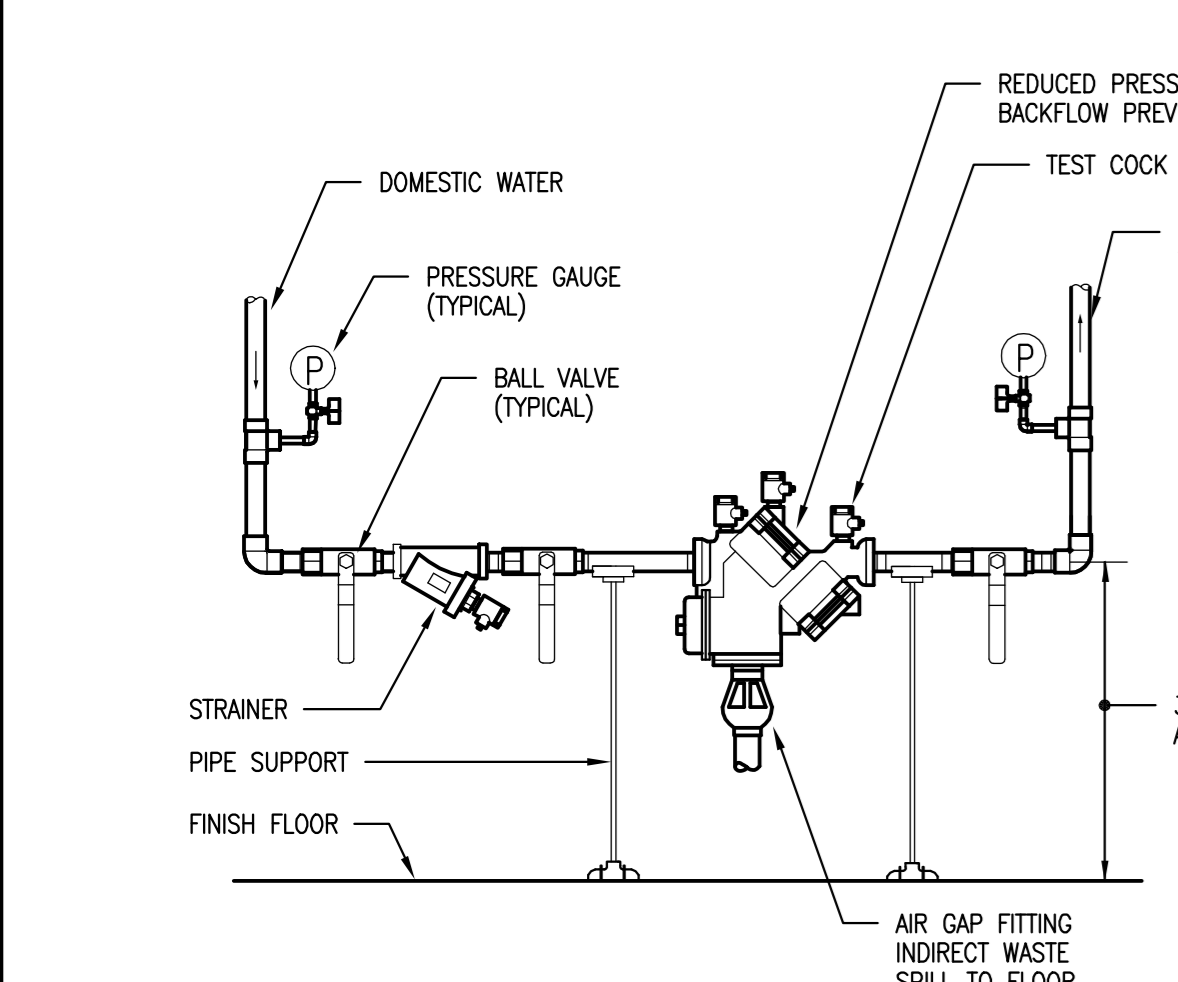
10 TYPICAL INSULATED PIPE SLAB PENETRATION SLEEVE DETAIL  
SCALE: NTS



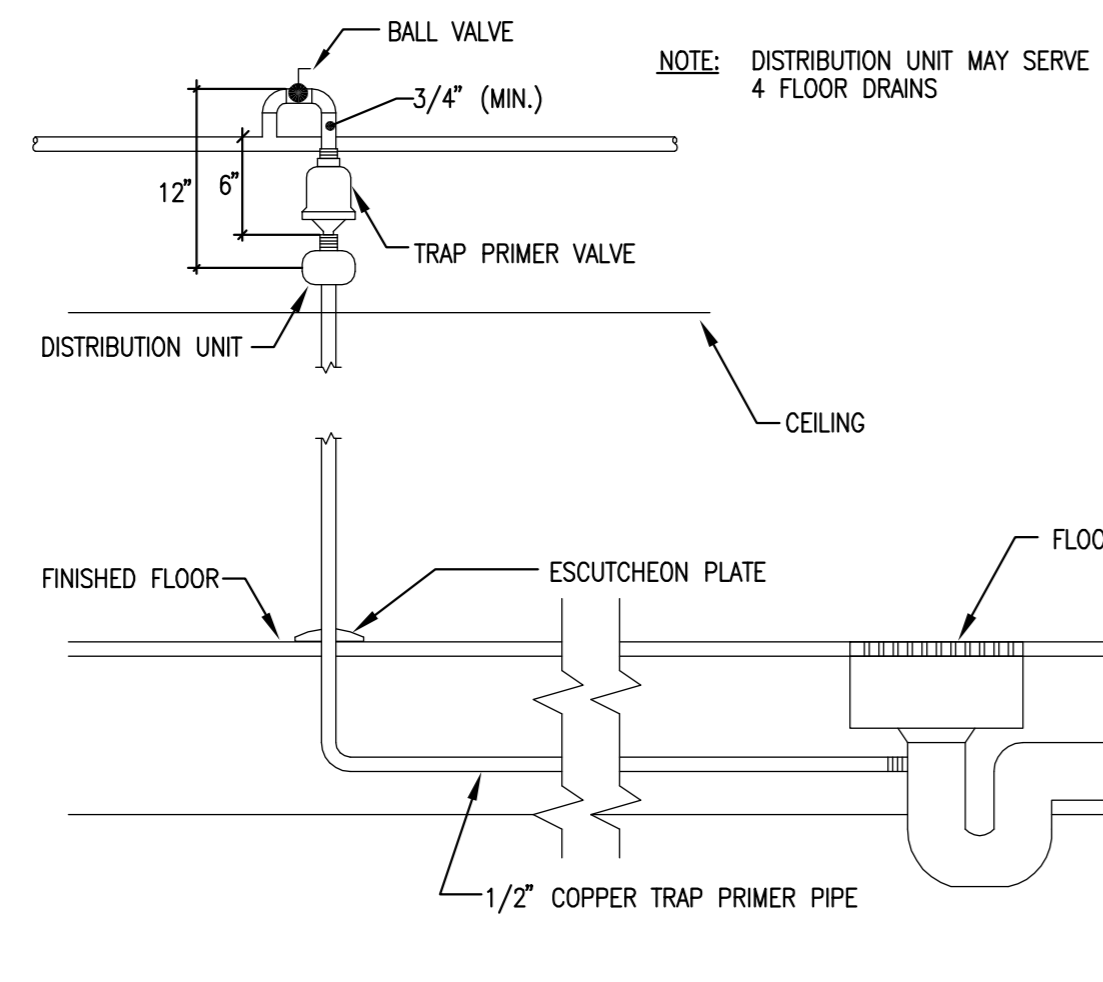
11 PLUMBING PIPE HANGER INSTALLATION  
SCALE: NTS

MARK	ISSUE DATE	DESCRIPTION

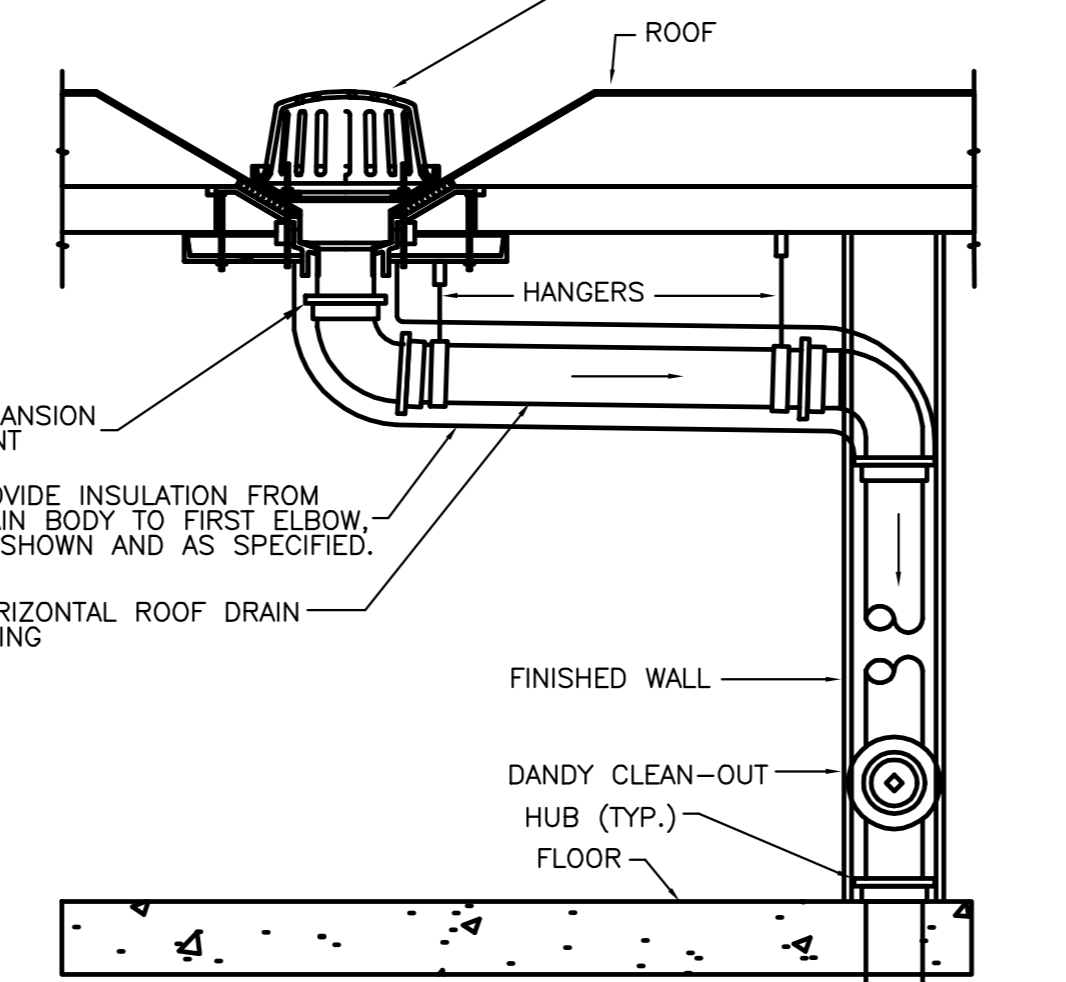
BID 12/14/07 BID SET  
Issue Log



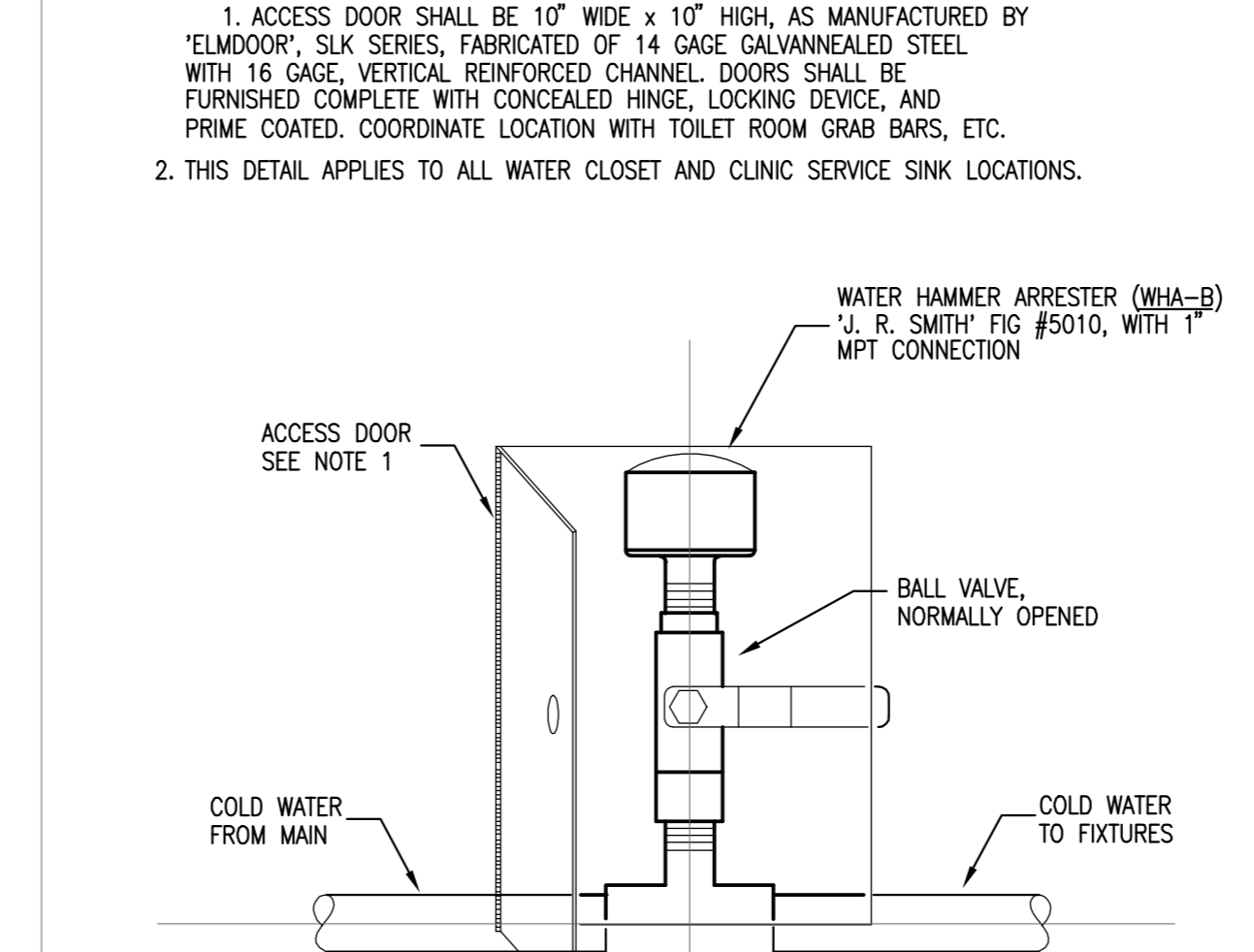
13 REDUCED PRESSURE BACKFLOW PREVENTER  
SCALE: NTS



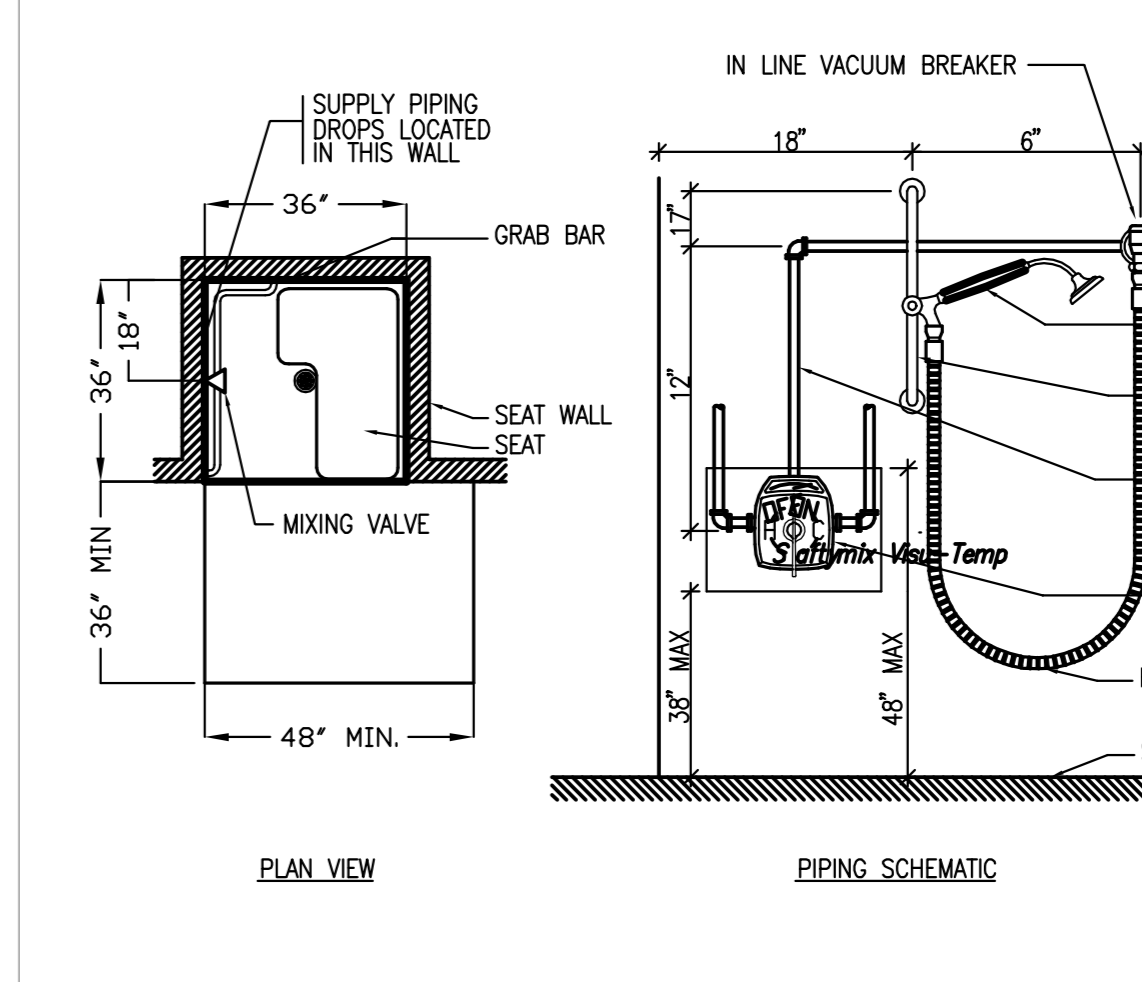
14 FLOOR DRAIN TRAP PRIMER DETAIL  
SCALE: NTS



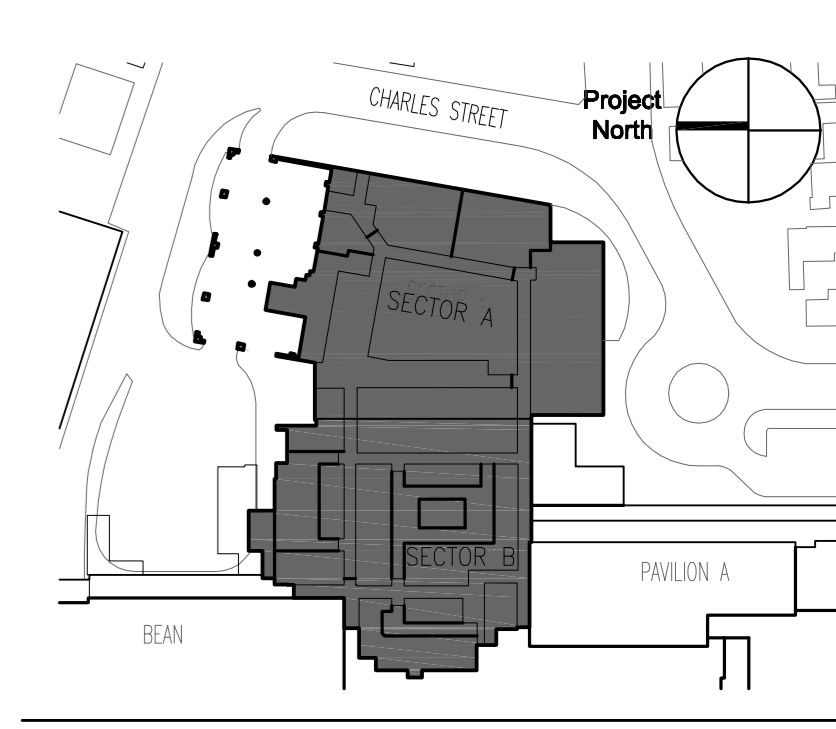
15 ROOF DRAIN PIPING CONNECTION DETAIL  
SCALE: NTS



16 WATER HAMMER ARRESTER PIPING DETAIL  
SCALE: NTS

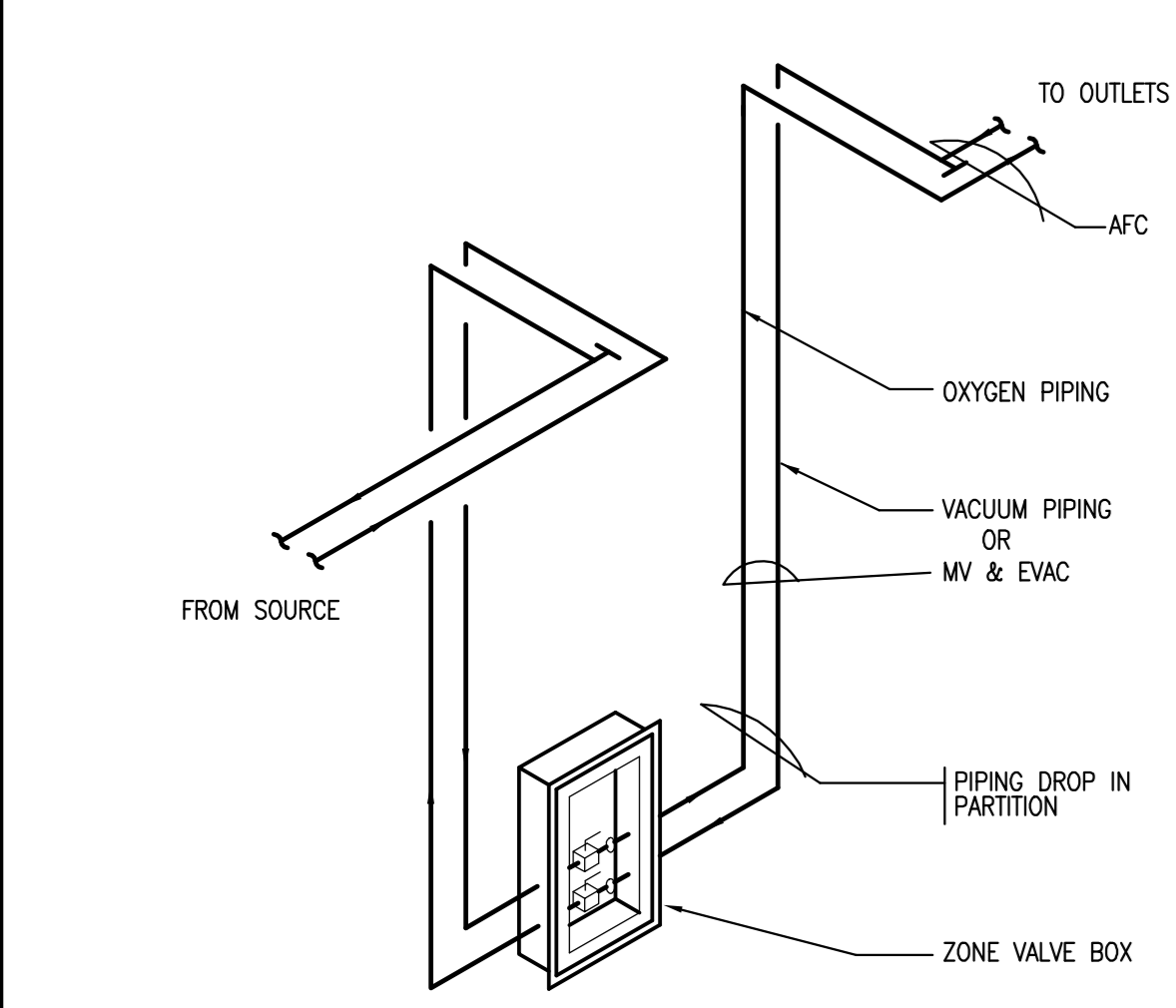


17 36" X 36" PATIENT SHOWER PLAN AND PIPING SCHEMATIC  
SCALE: NTS

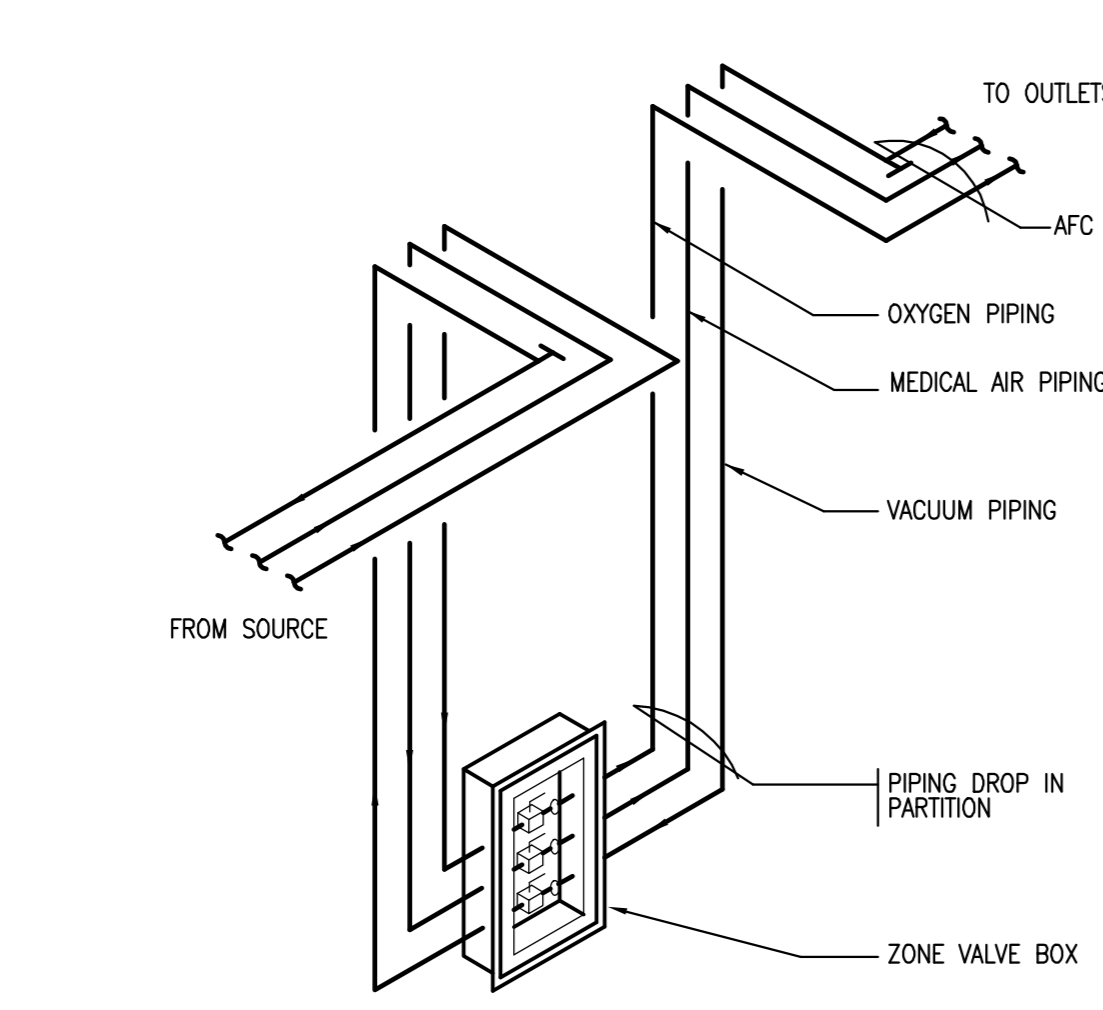


Key Plan

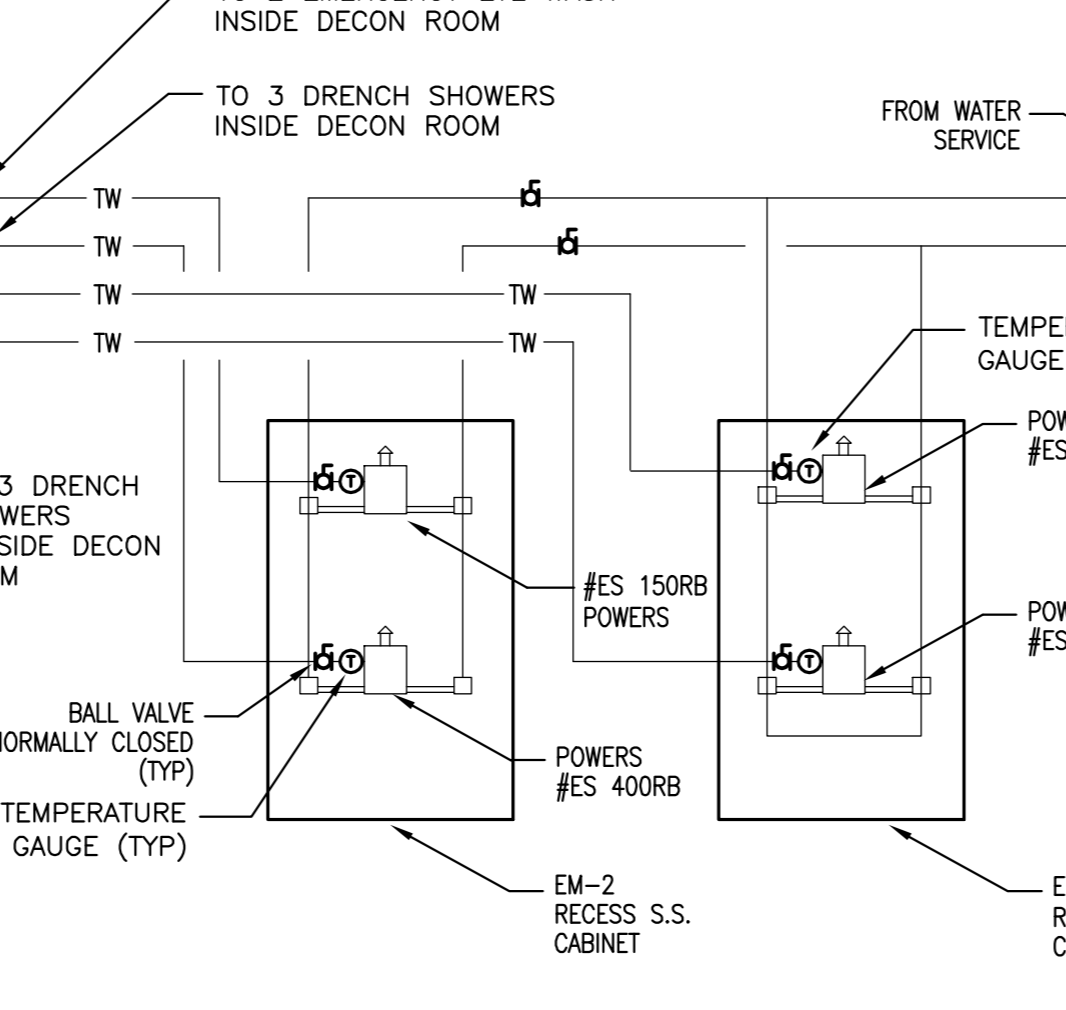
**TRO Jung|Brannen**  
ARCHITECTURE INTERIOR DESIGN ENGINEERING MASTER PLANNING  
22 Boston Wharf Road, Boston, Massachusetts 02210  
Tel 617.502.8400 Fax 617.502.3402 www.trojungbrannen.com



18 DOUBLE GAS ZONE VALVE BOX  
SCALE: NTS



19 TRIPLEX GAS ZONE VALVE BOX  
SCALE: NTS



20 MIXING VALVE PIPING DIAGRAM  
SCALE: NTS

**Maine Medical Center**  
ED Expansion and Renovation  
Portland, Maine MMC Project No. 21843  
Drawing Title  
**MEDICAL GAS & PLUMBING**  
TYPICAL DETAILS

Drawn By	SDB	Commission No.	4696
Approved By	RMH	Date Issued	12/14/07

Phase / Package Number	Sheet Number
	<b>P400</b>