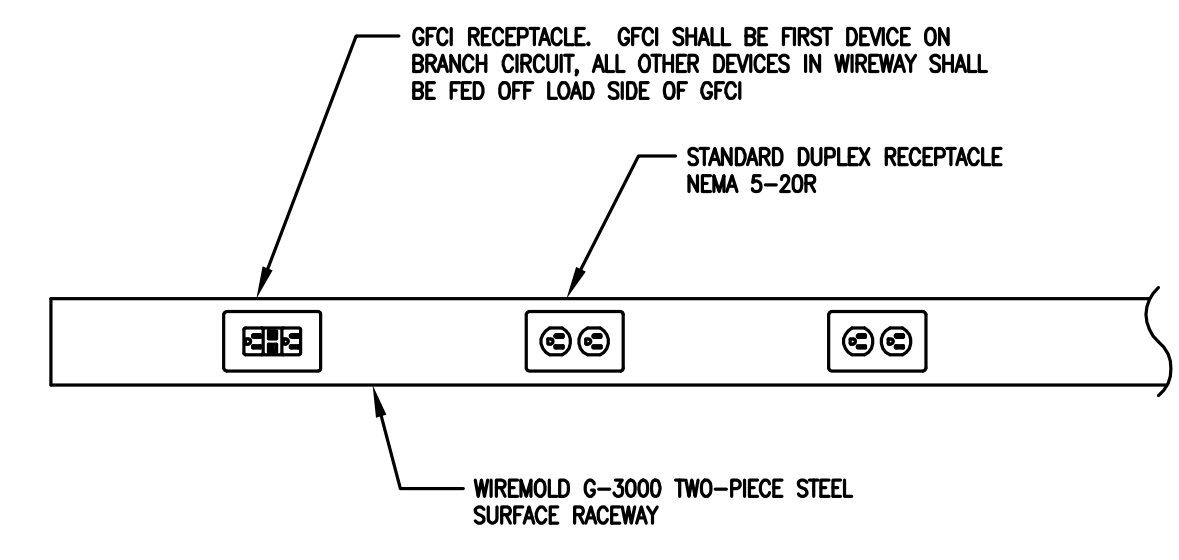
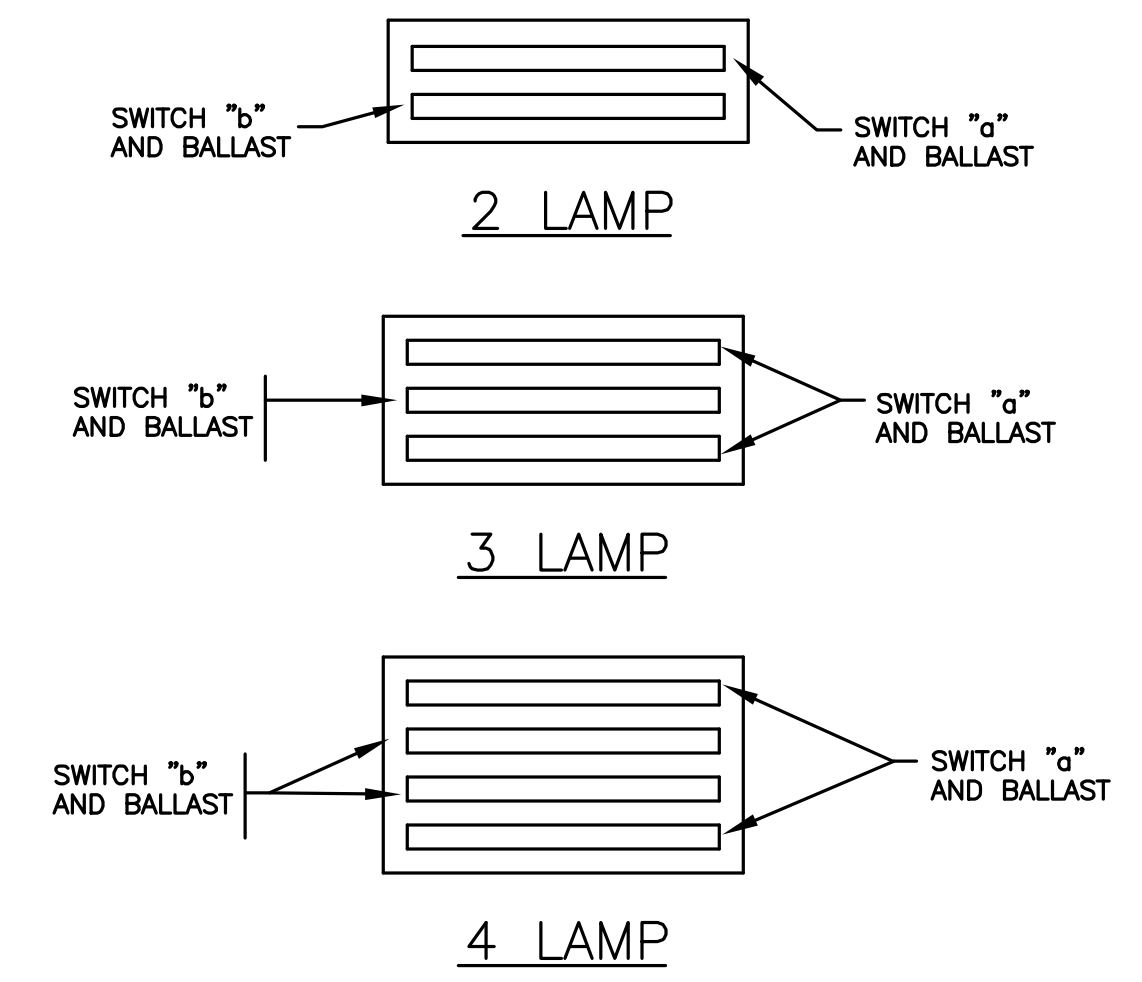


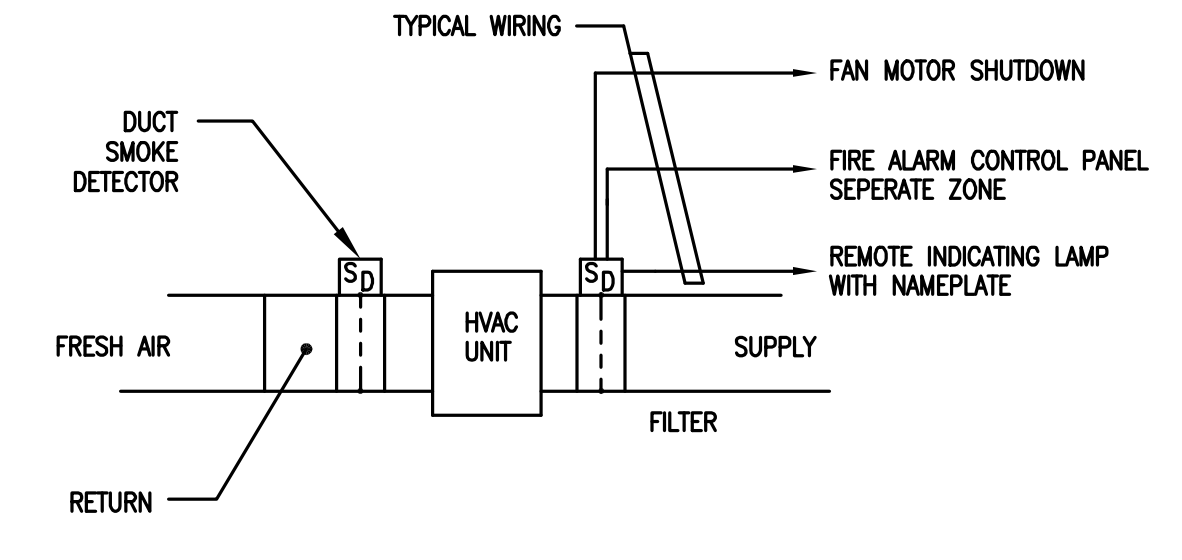
A1 VFD WIRING DETAIL
SCALE: N.T.S.



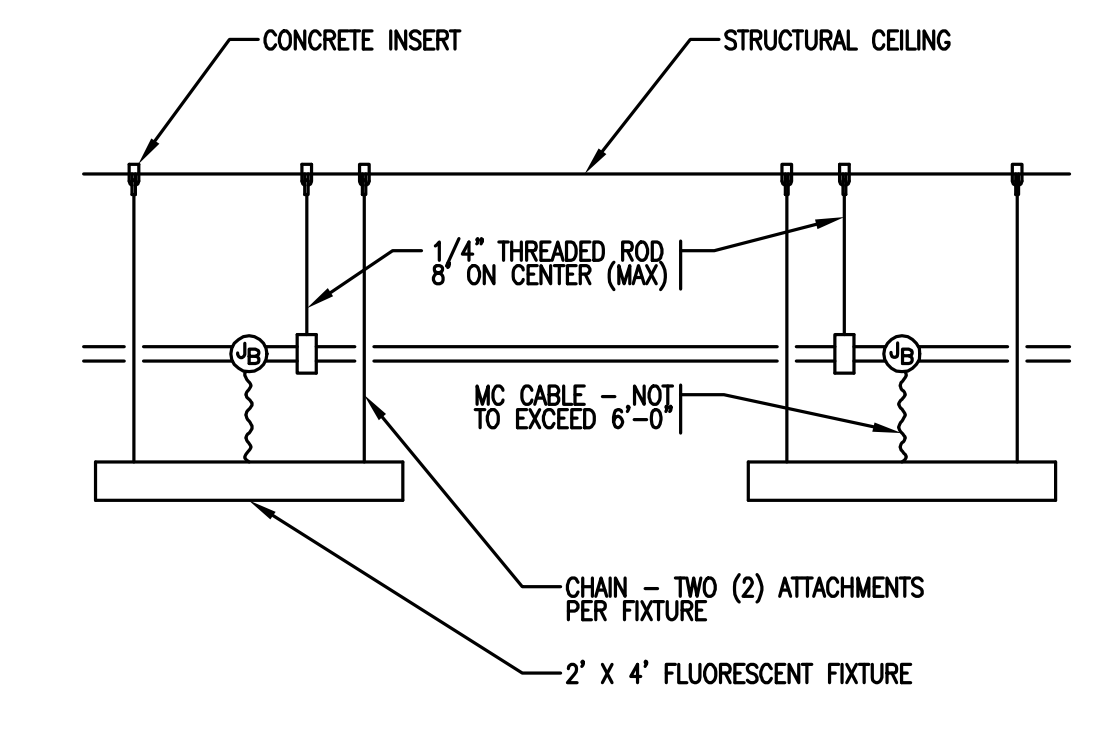
B1 TYPICAL WIREWAY DETAIL
SCALE: N.T.S.



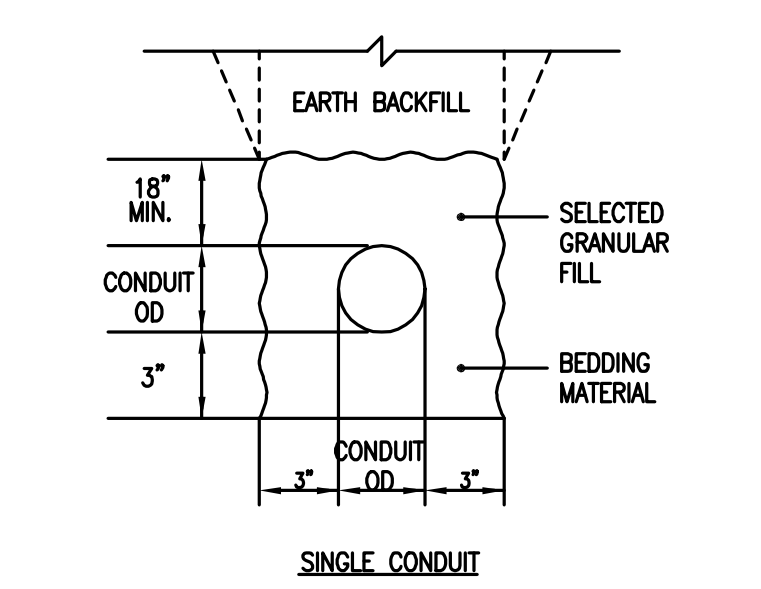
C1 TYPICAL 2, 3, AND 4 LAMP FIXTURE MULTI-LEVEL SWITCHING DETAIL
SCALE: NONE



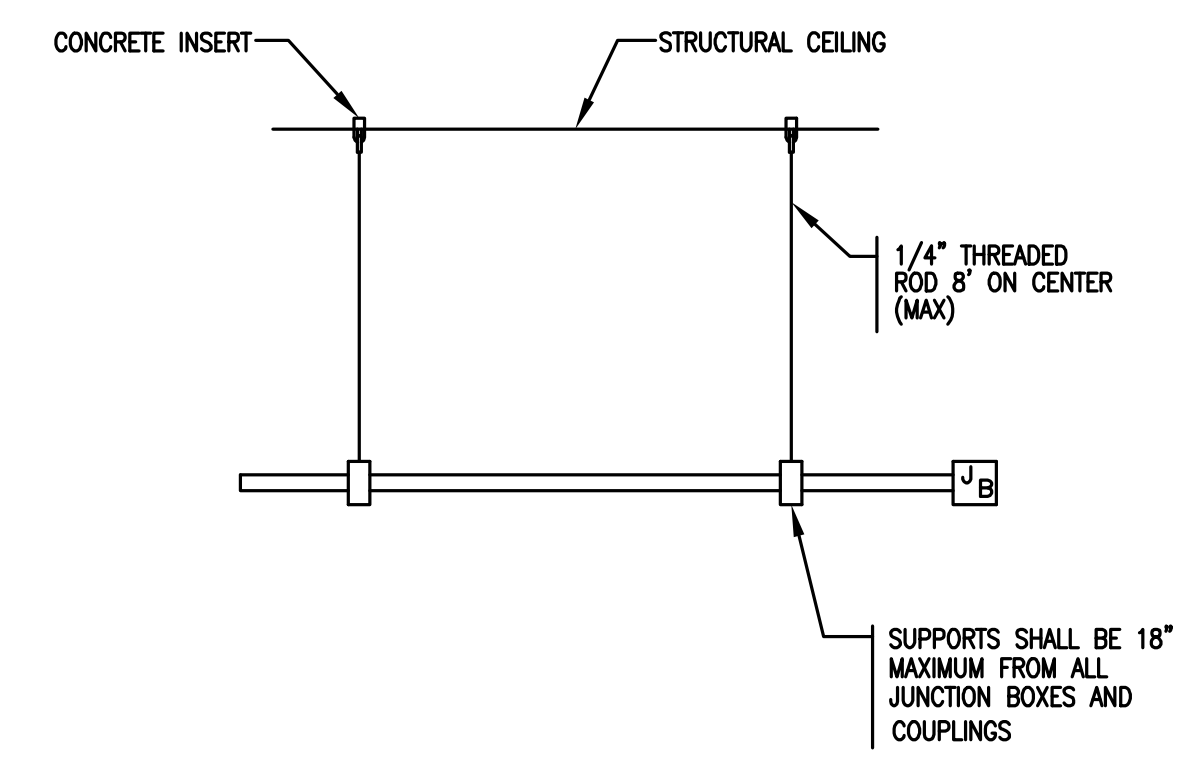
D1 SMOKE DETECTION & AUTO. CONTROL AIR CONDITION AND VENTILATION SYSTEMS
SCALE: N.T.S.



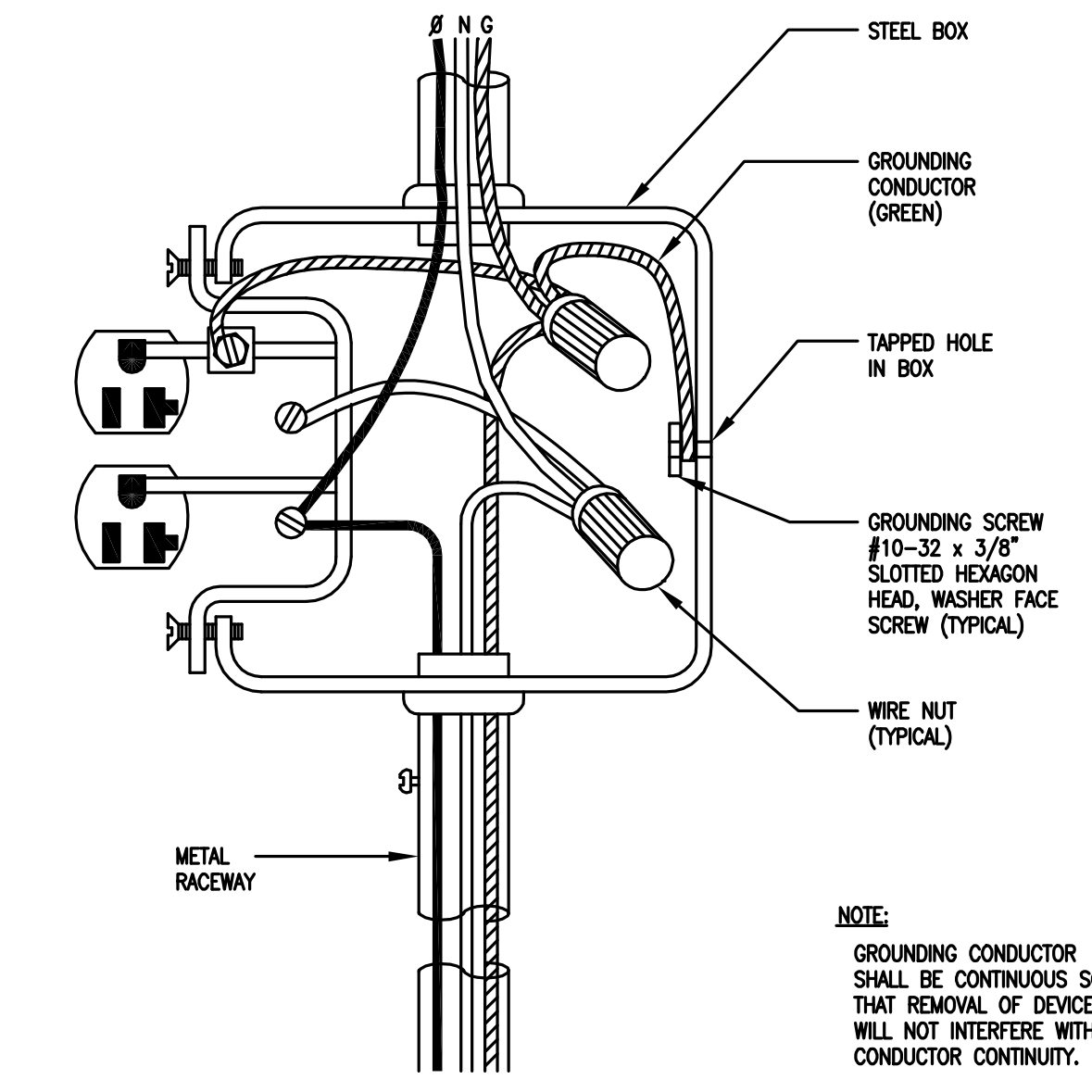
E1 LIGHTING FIXTURE DETAIL
SCALE: N.T.S.



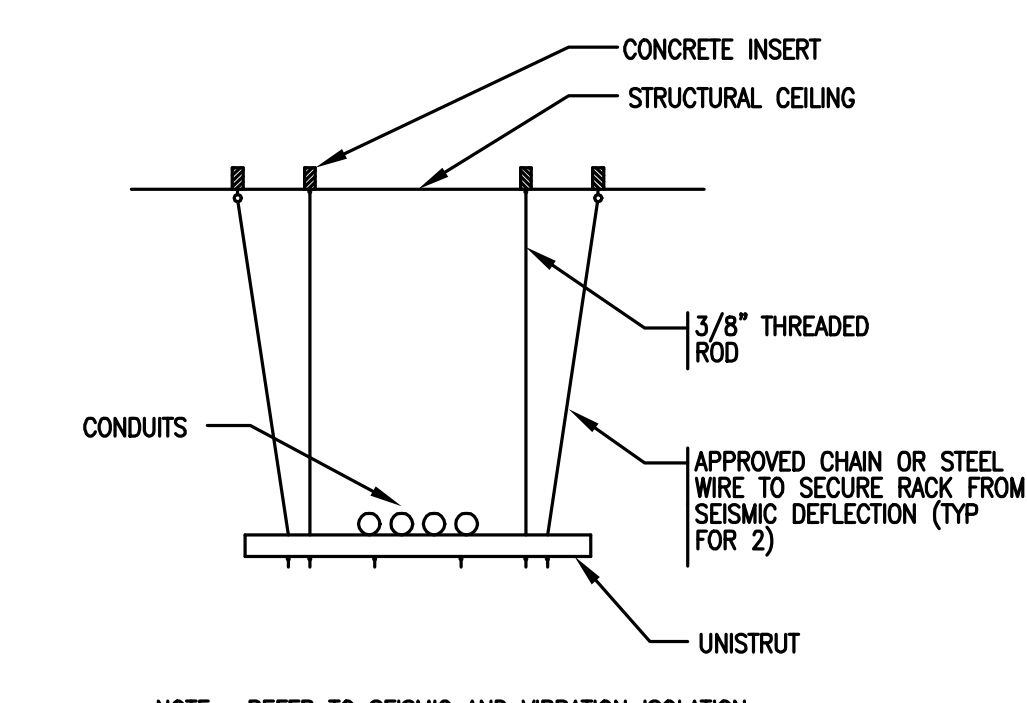
B2 BEDDING MATERIAL DETAIL FOR DIRECT BURIAL CONDUITS
SCALE: N.T.S.



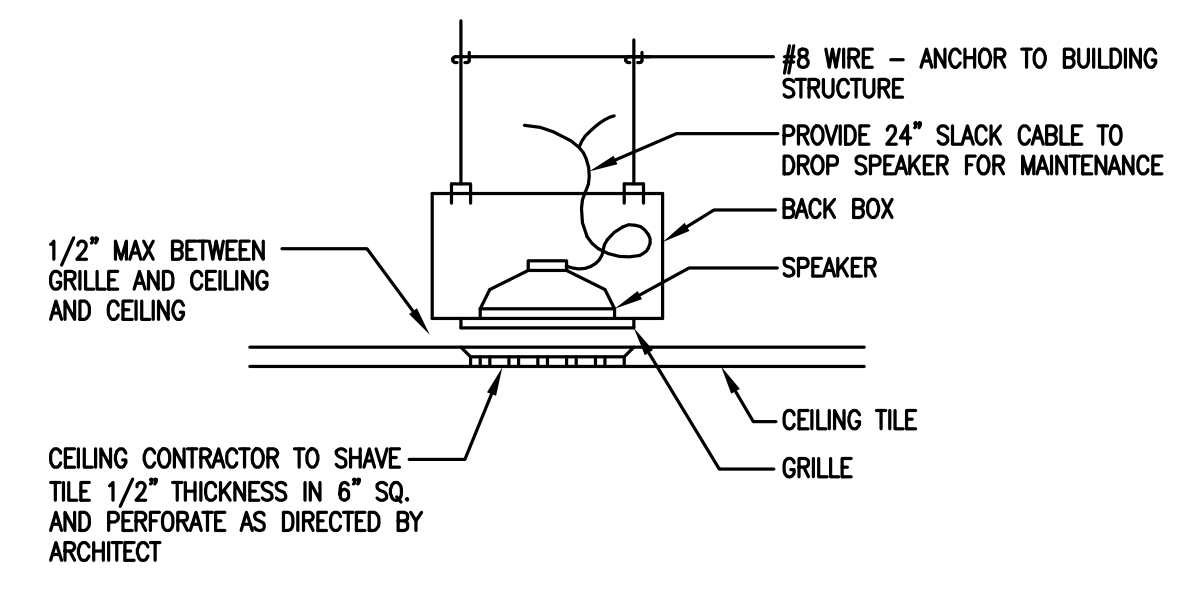
C2 CONDUIT MOUNTING DETAIL
SCALE: N.T.S.



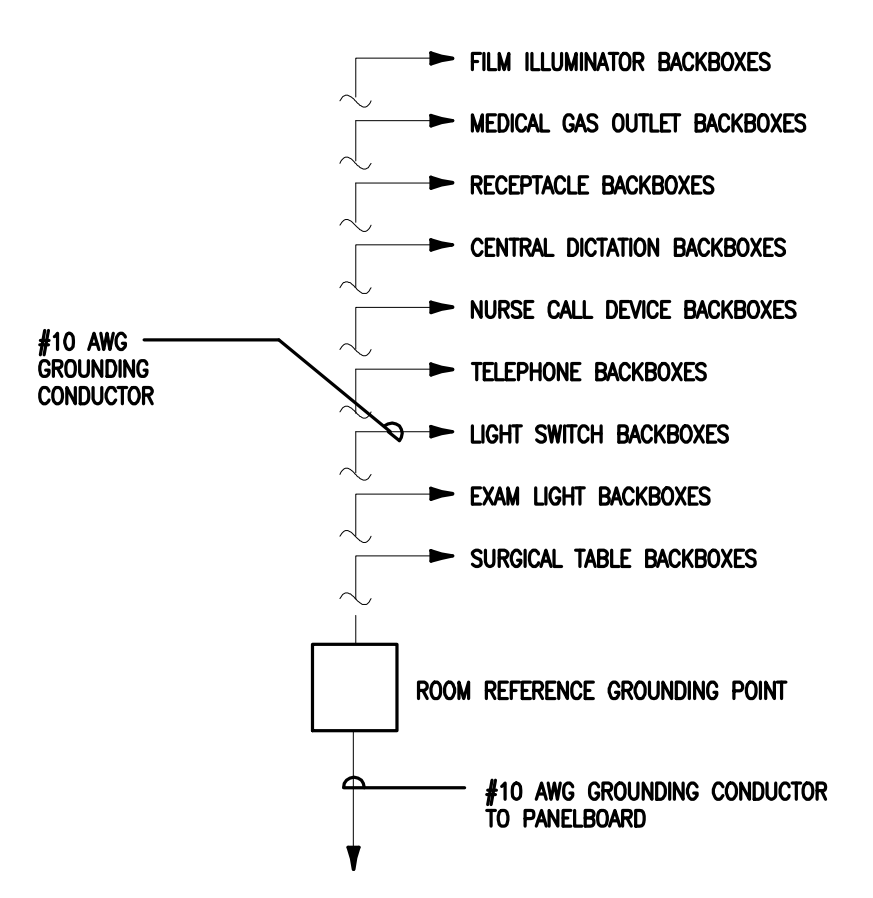
D2 RECEPTACLE GROUNDING DETAIL
SCALE: N.T.S.



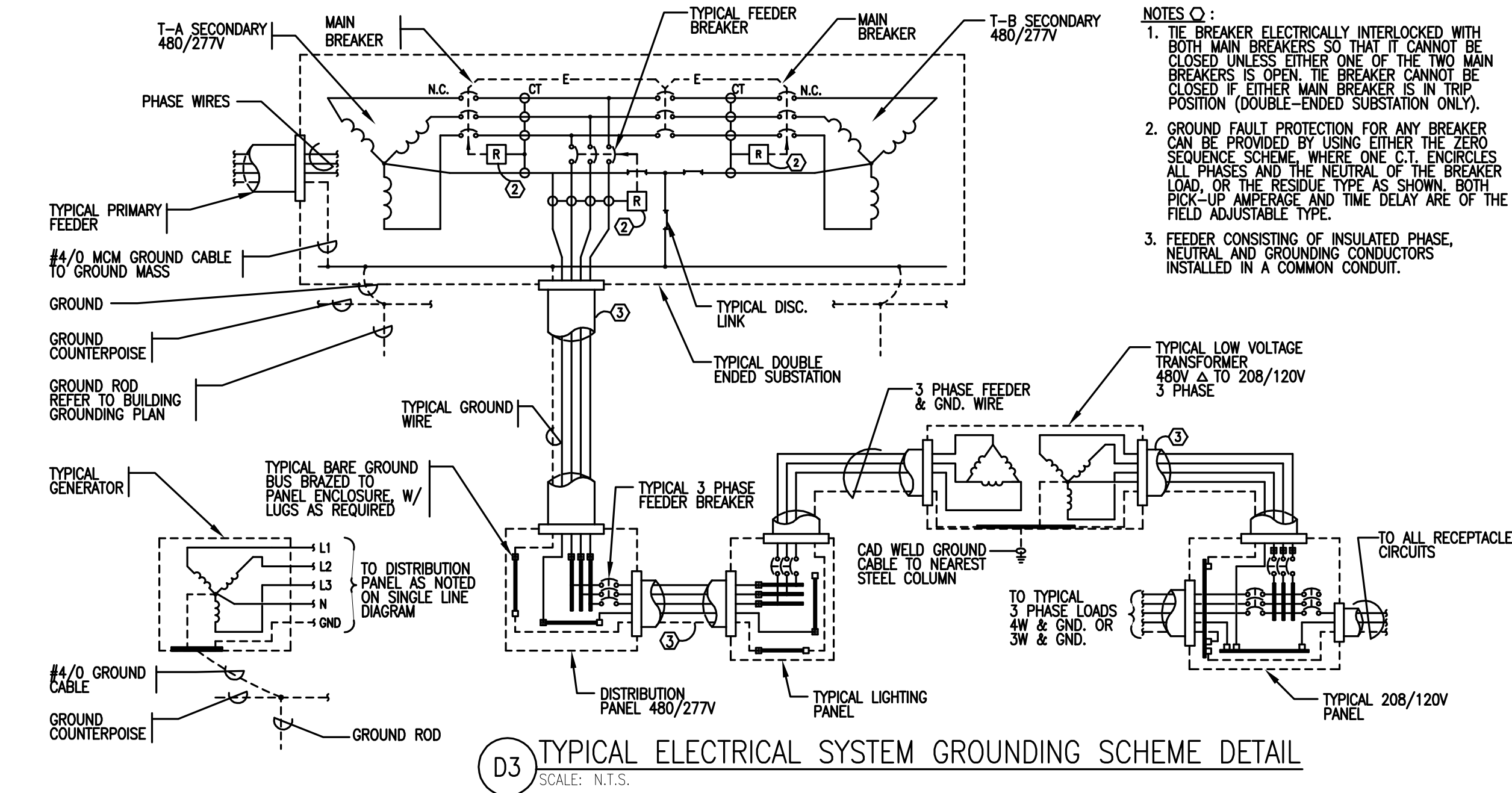
E2 CONDUIT RACKING DETAIL
SCALE: N.T.S.



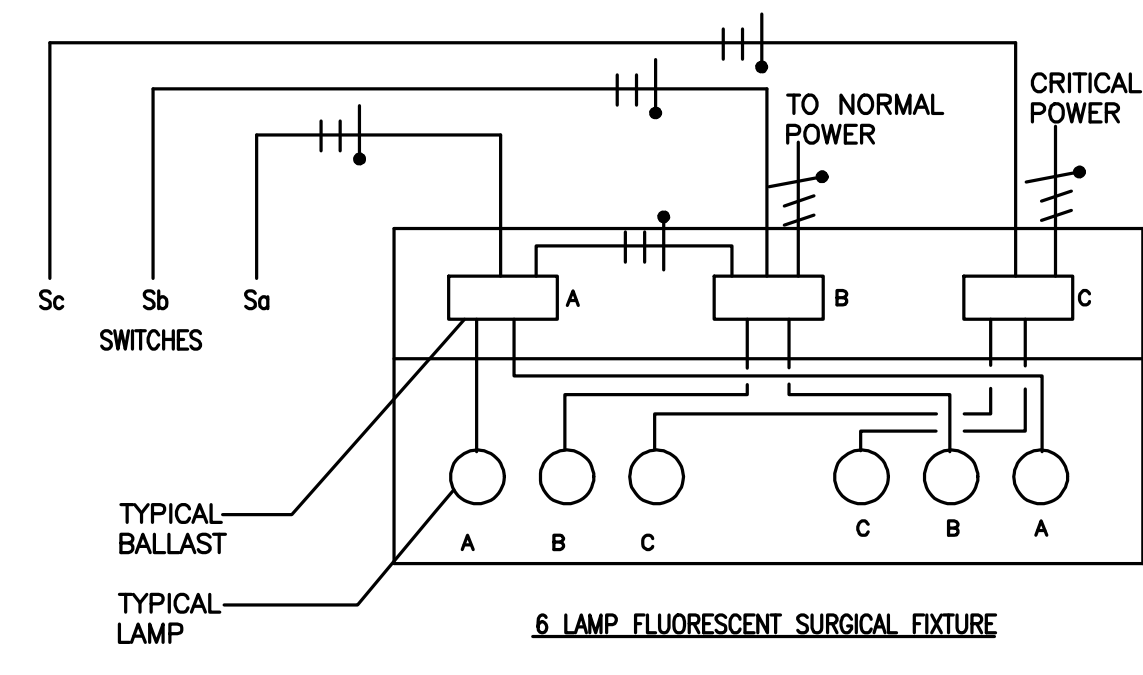
B3 DETAIL OF SPEAKER ABOVE HUNG CEILING
SCALE: N.T.S.



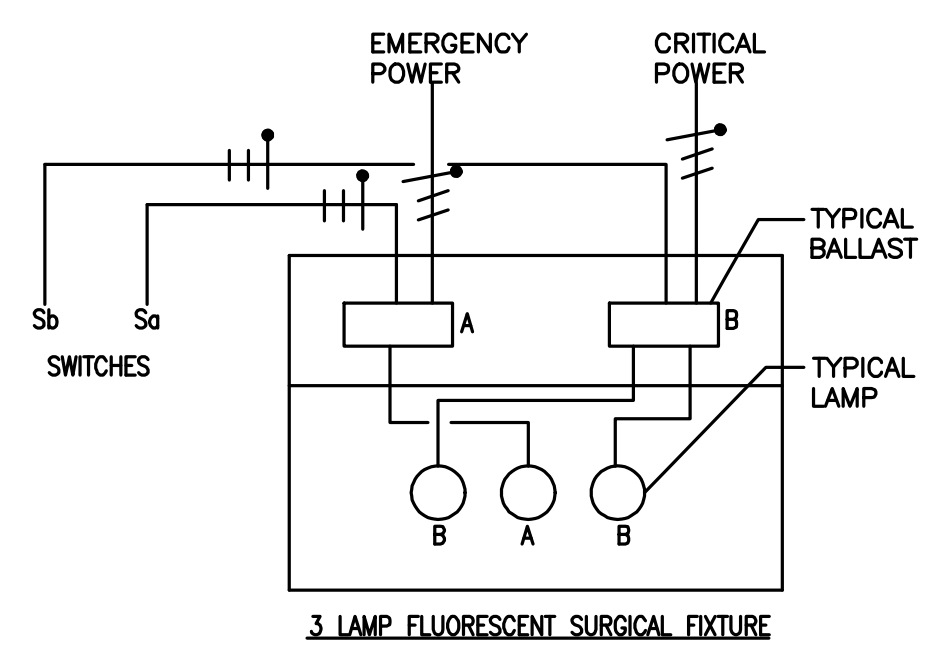
C3 SCHEMATIC EQUIPOTENTIAL GROUNDING DETAIL
SCALE: N.T.S.



D3 TYPICAL ELECTRICAL SYSTEM GROUNDING SCHEME DETAIL
SCALE: N.T.S.



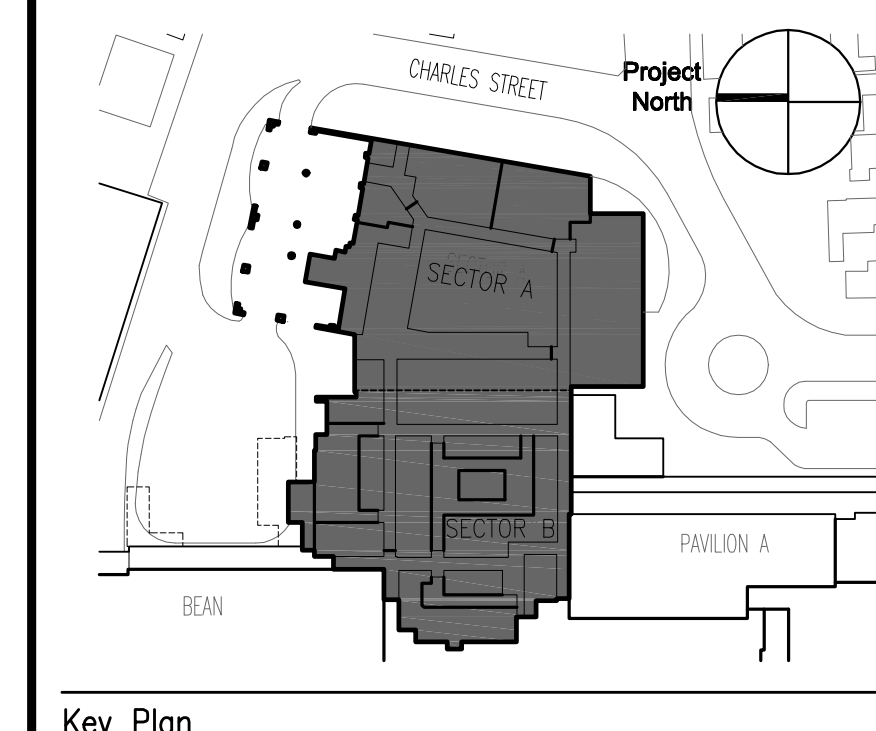
B4 GENERAL SURGICAL LIGHTING SWITCHING DETAIL
SCALE: N.T.S.



D4 TYPICAL BRANCH CIRCUIT WIRING REQUIREMENTS; LIGHTING AND RECEPTACLES
SCALE: N.T.S.

MARK	ISSUE DATE	DESCRIPTION
A1	01/10/08	ADDENDUM NO.1
BID	12/14/07	BID SET

Issue Log



TRO Jung|Brannen
ARCHITECTURE INTERIOR DESIGN ENGINEERING MASTER PLANNING
22 Boston Wharf Road, Boston, Massachusetts 02210
Tel 617.502.8400 Fax 617.502.3402 www.trojungbrannen.com

Maine Medical Center
ED Expansion and Renovation
Portland, Maine MMC Project No. 21843

Drawing Title
ELECTRICAL DETAILS
SHEET 1 OF 2

Drawn By AB Commission No. 4696
Approved By D.S. Date Issued 12/14/07

Phase / Package Number Sheet Number
E800