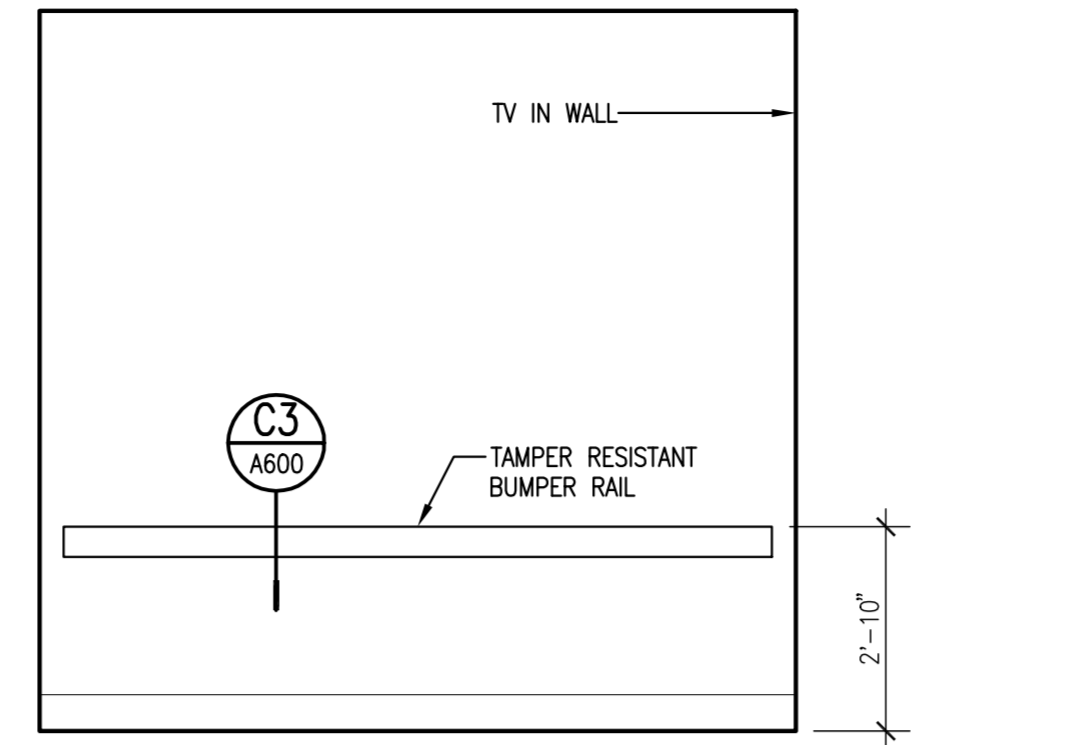
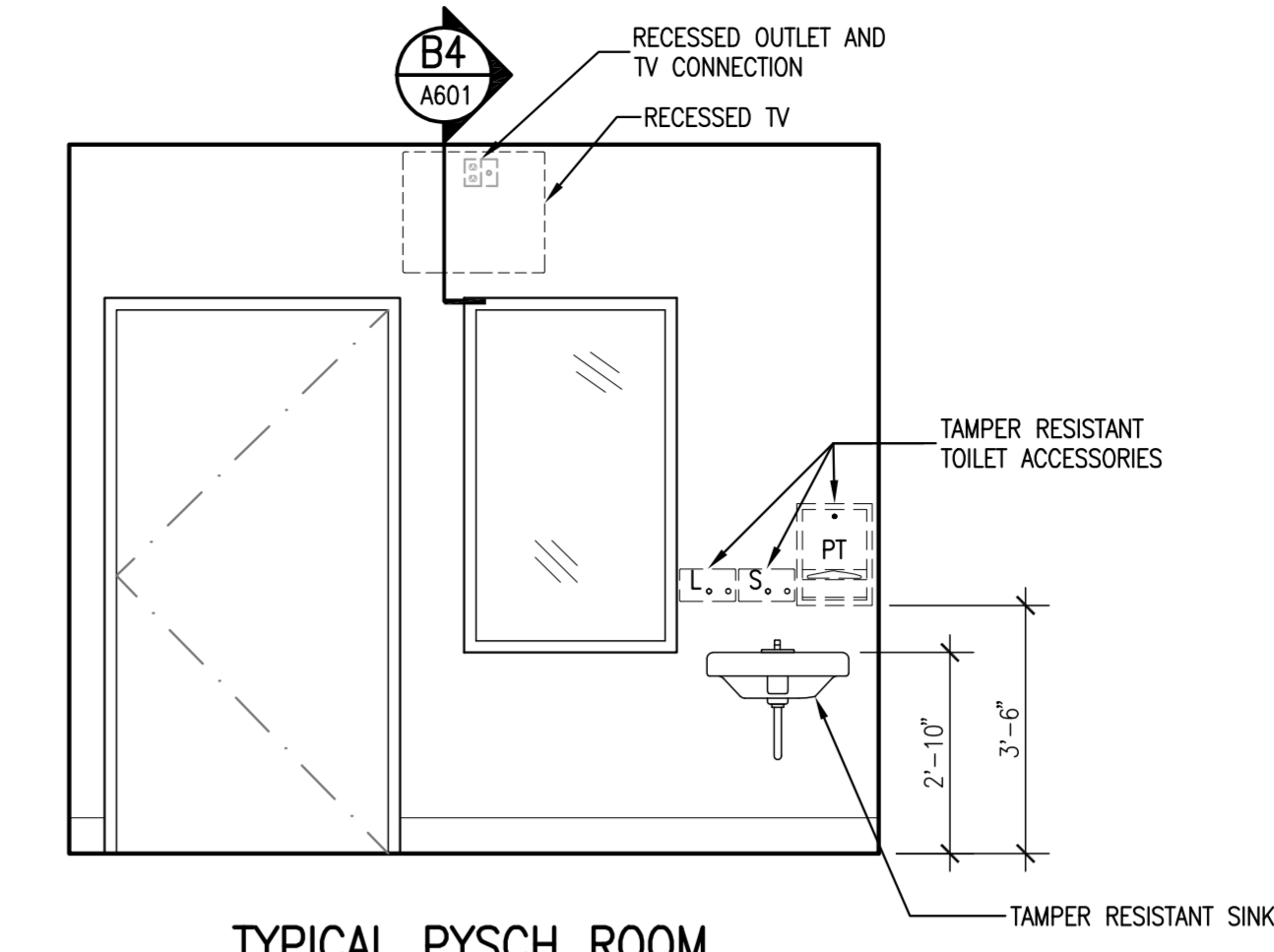


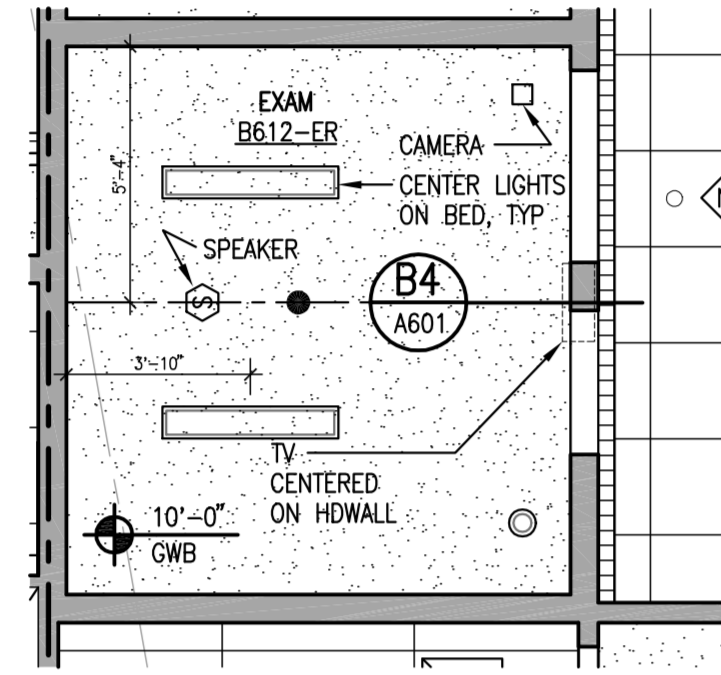
A1 TYPICAL PSYCH EXAM FLOOR PLAN
SCALE: 1/4" = 1'-0"



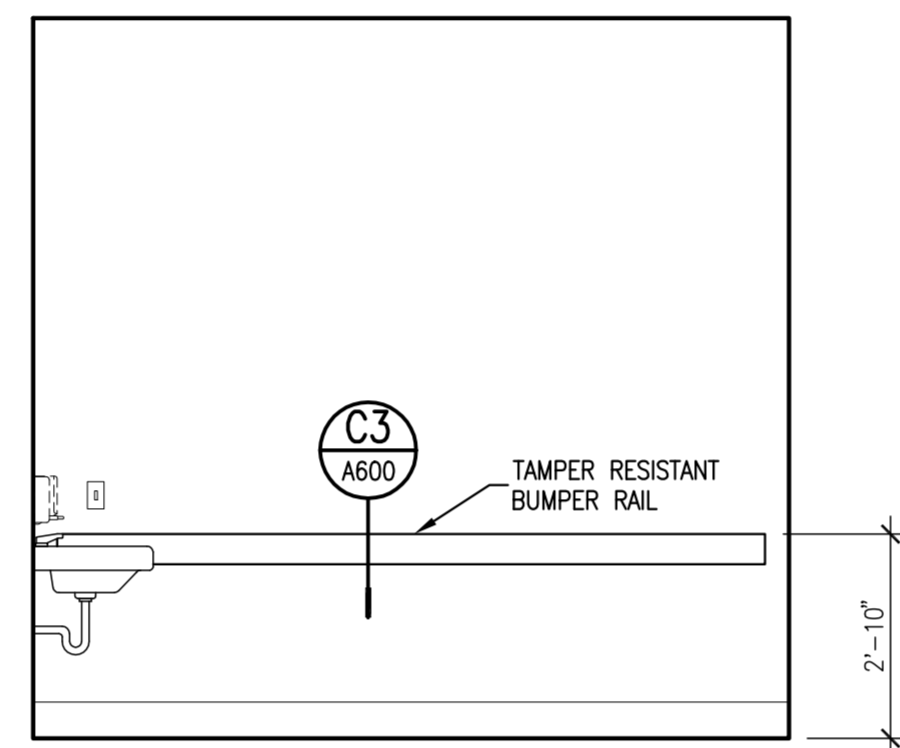
1 TYPICAL PSYCH ROOM EXAM B612-ER
SCALE: 3/8" = 1'-0"



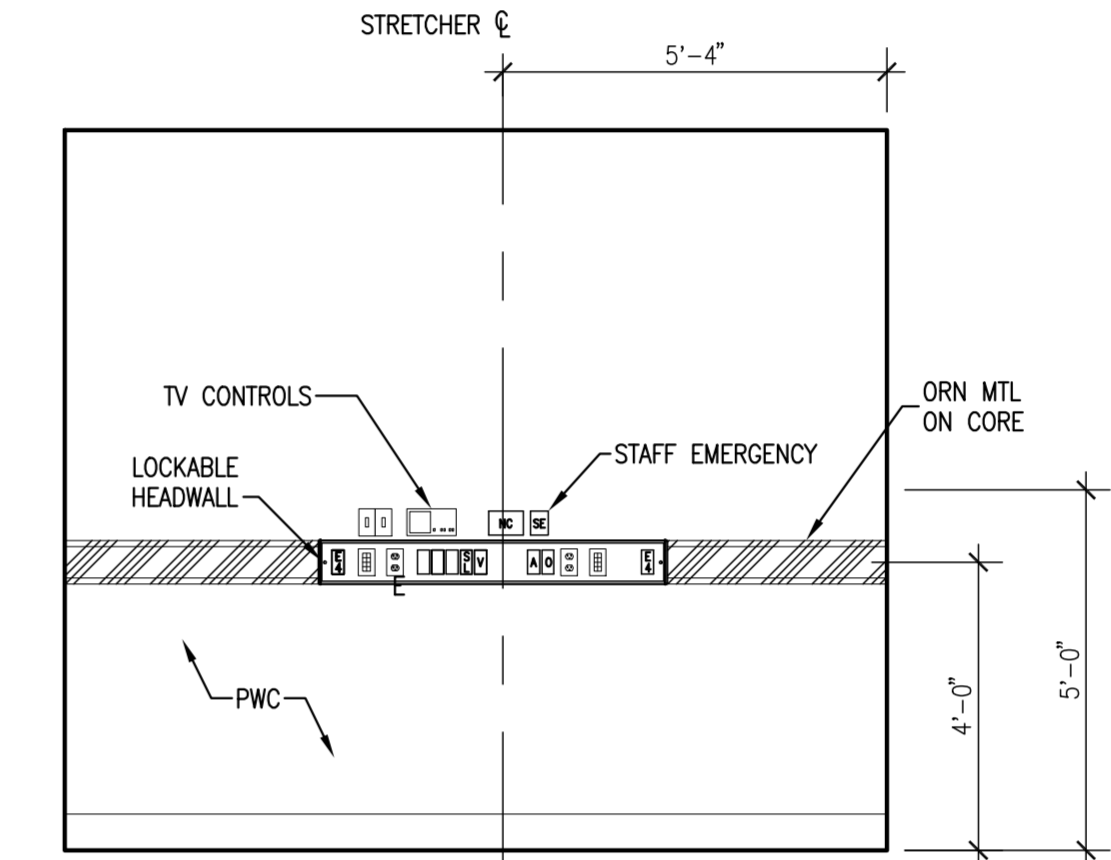
2 TYPICAL PSYCH ROOM EXAM B612-ER
SCALE: 3/8" = 1'-0"



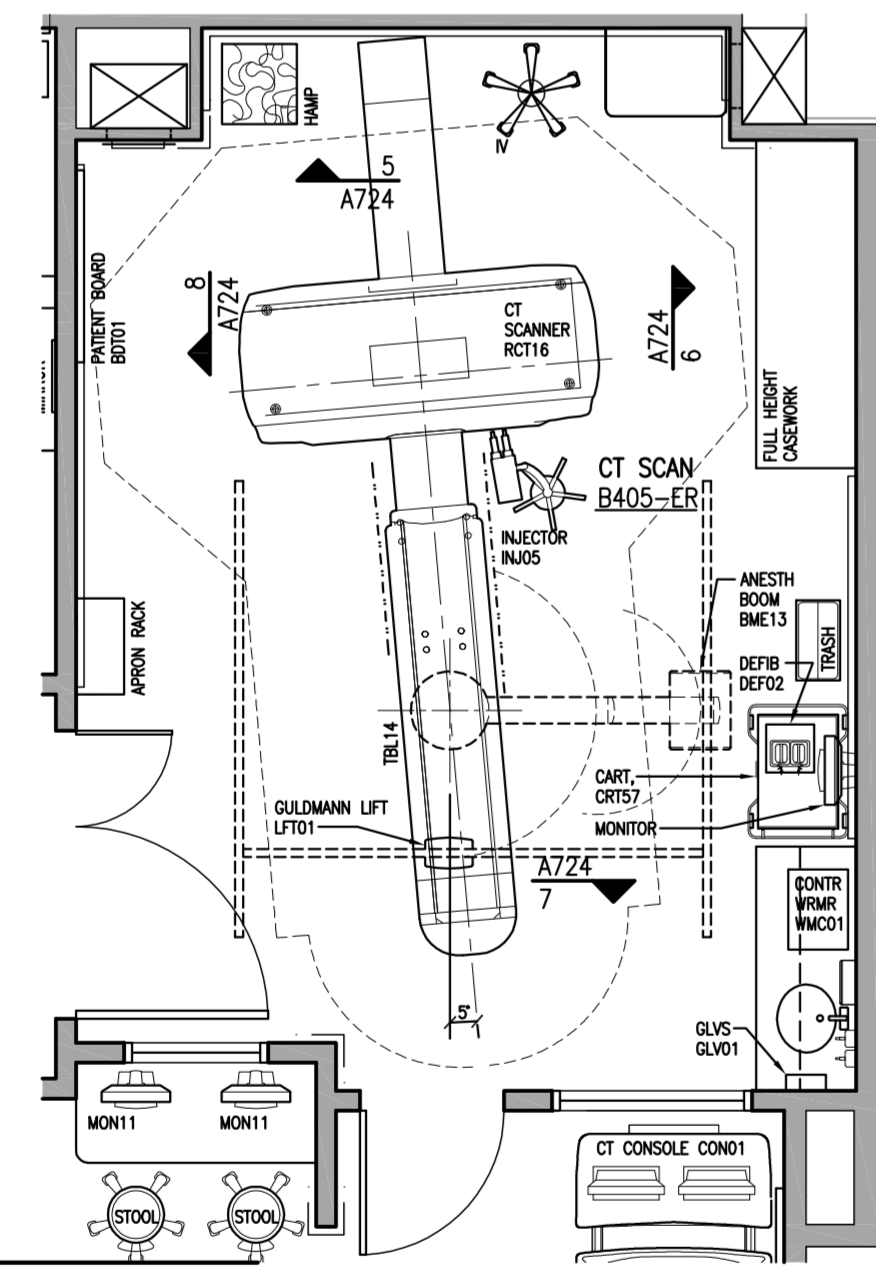
A2 TYPICAL PSYCH EXAM REFLECTED CEILING PLAN
SCALE: 1/4" = 1'-0"



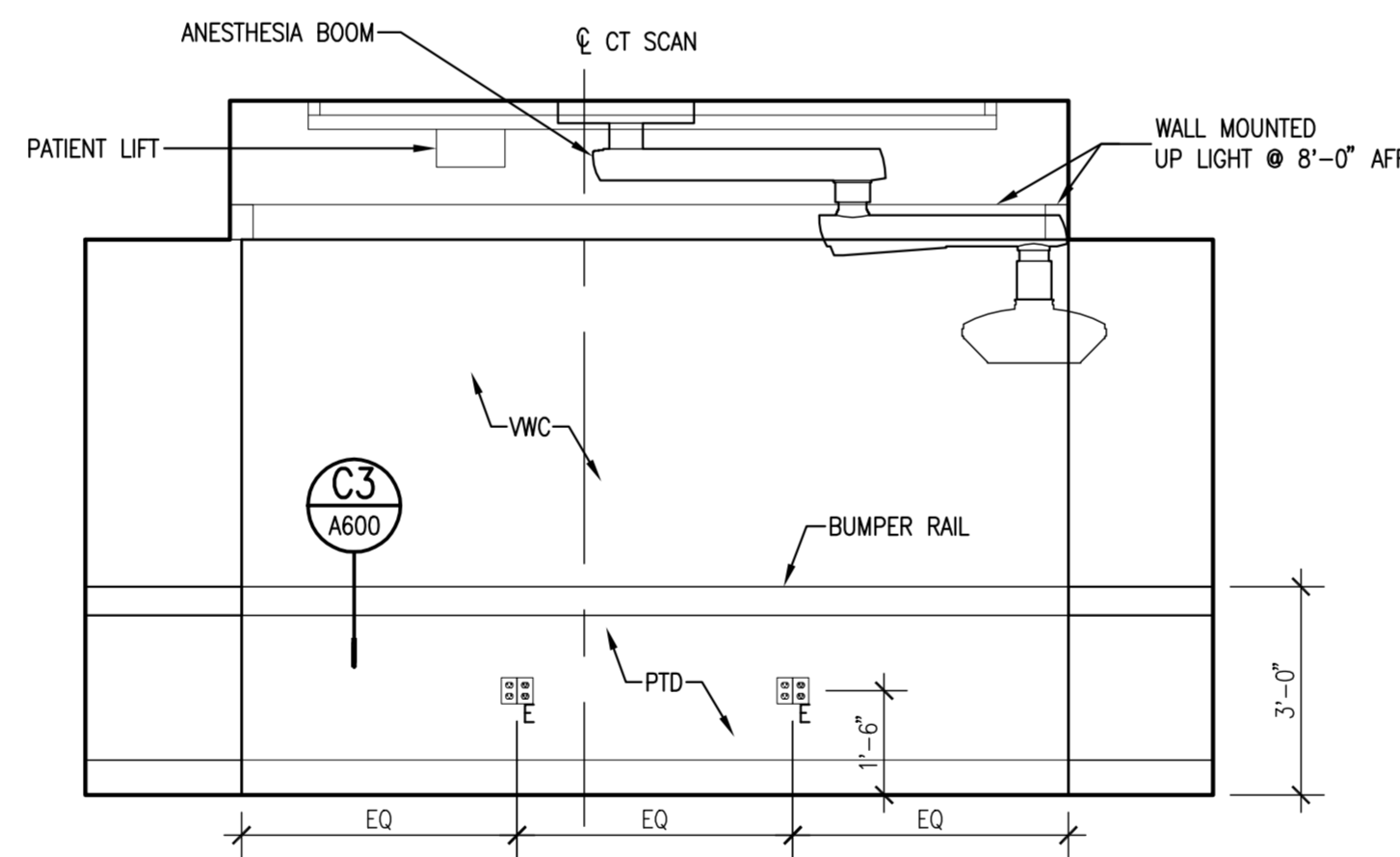
3 TYPICAL PSYCH ROOM EXAM B612-ER
SCALE: 3/8" = 1'-0"



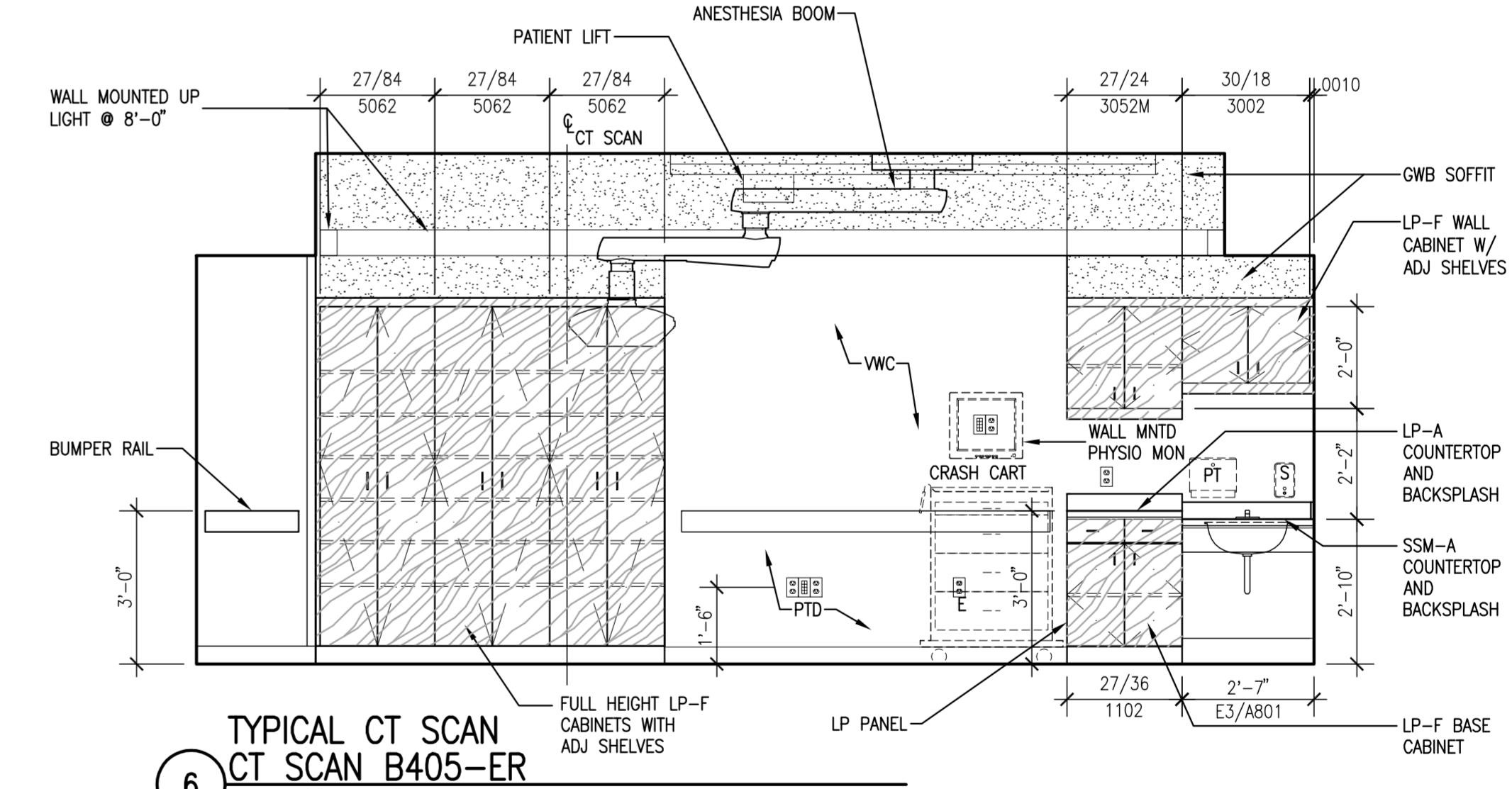
4 TYPICAL PSYCH ROOM EXAM B612-ER
SCALE: 3/8" = 1'-0"



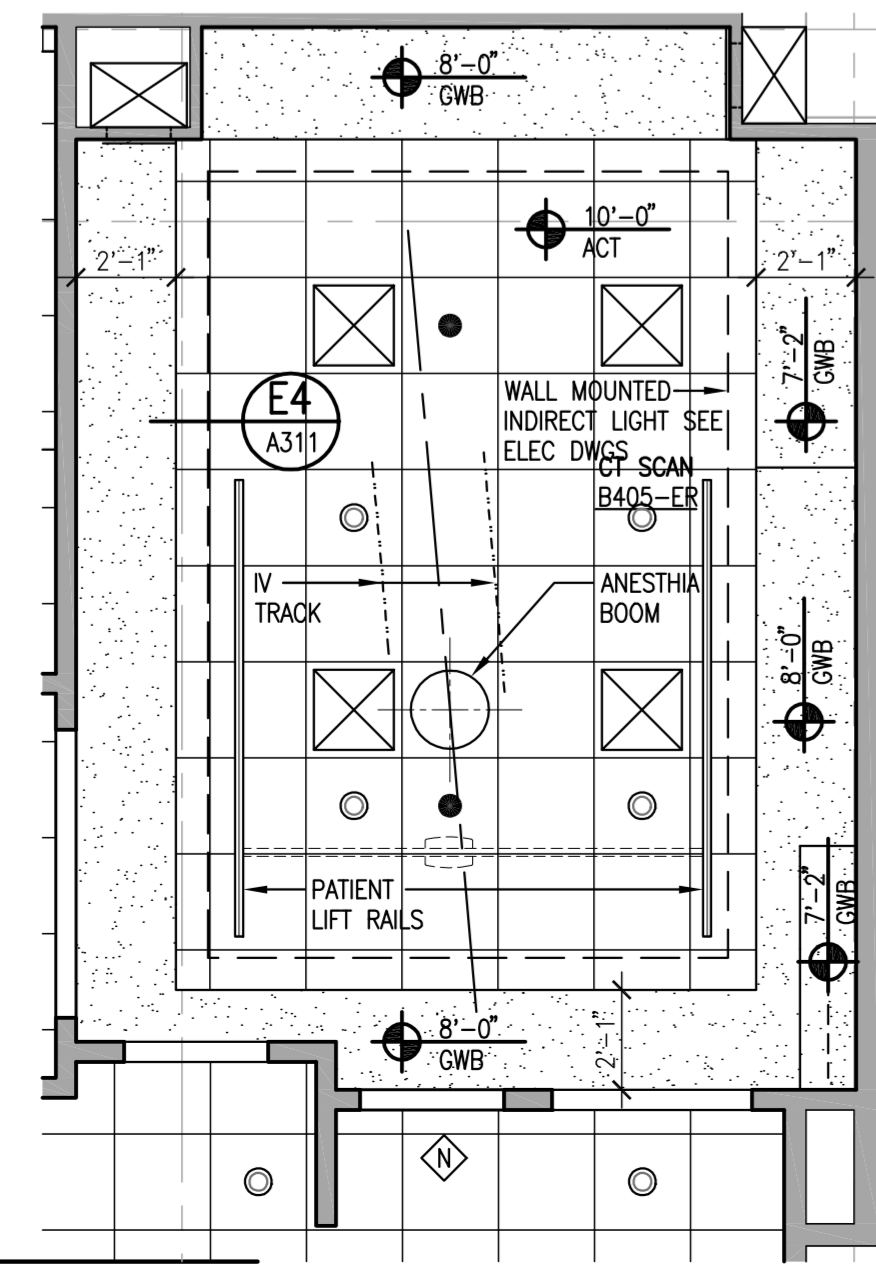
A3 CT SCAN 1 FLOOR PLAN
SCALE: 1/4" = 1'-0"



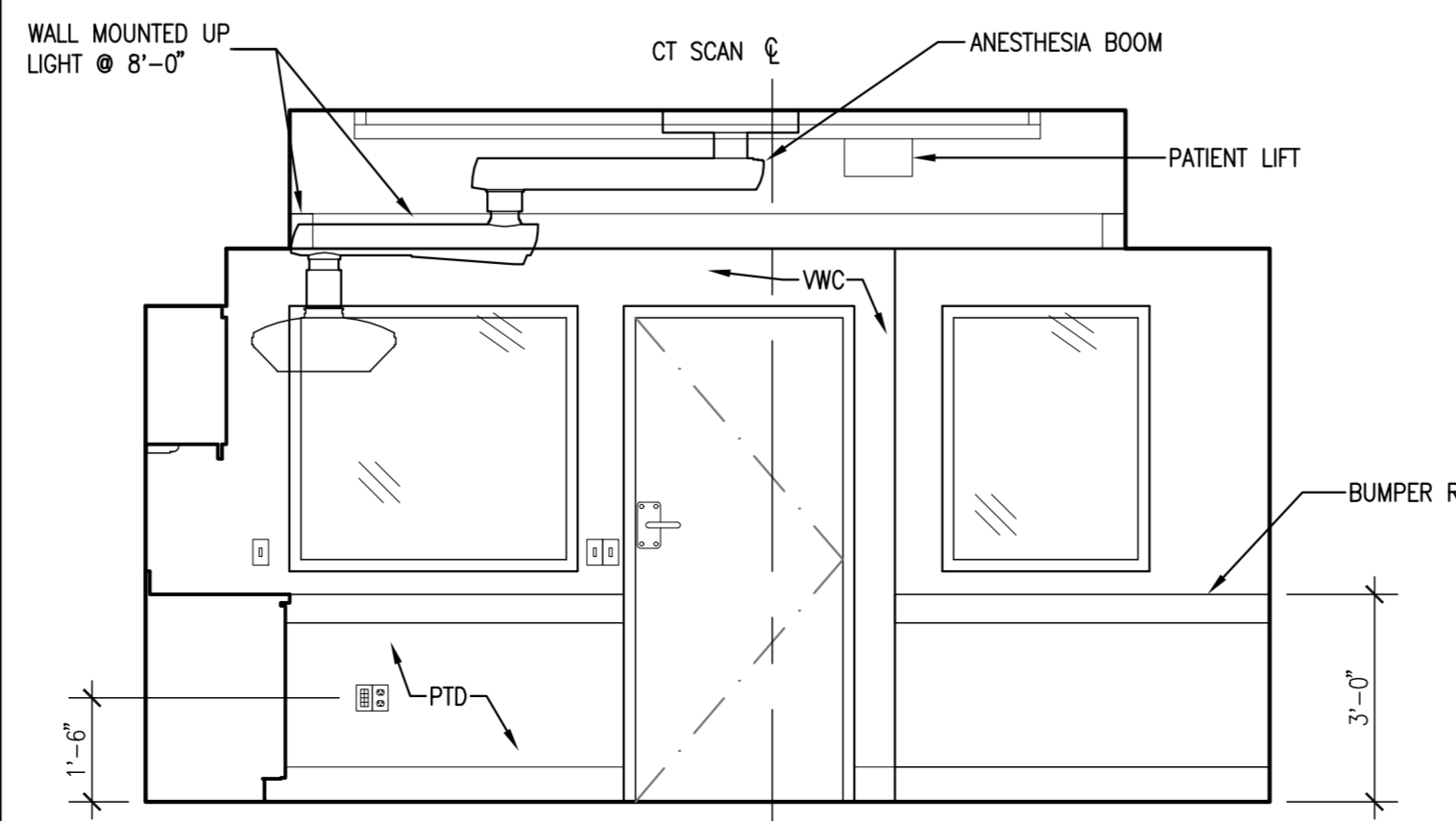
5 TYPICAL CT SCAN CT SCAN B405-ER
SCALE: 3/8" = 1'-0"



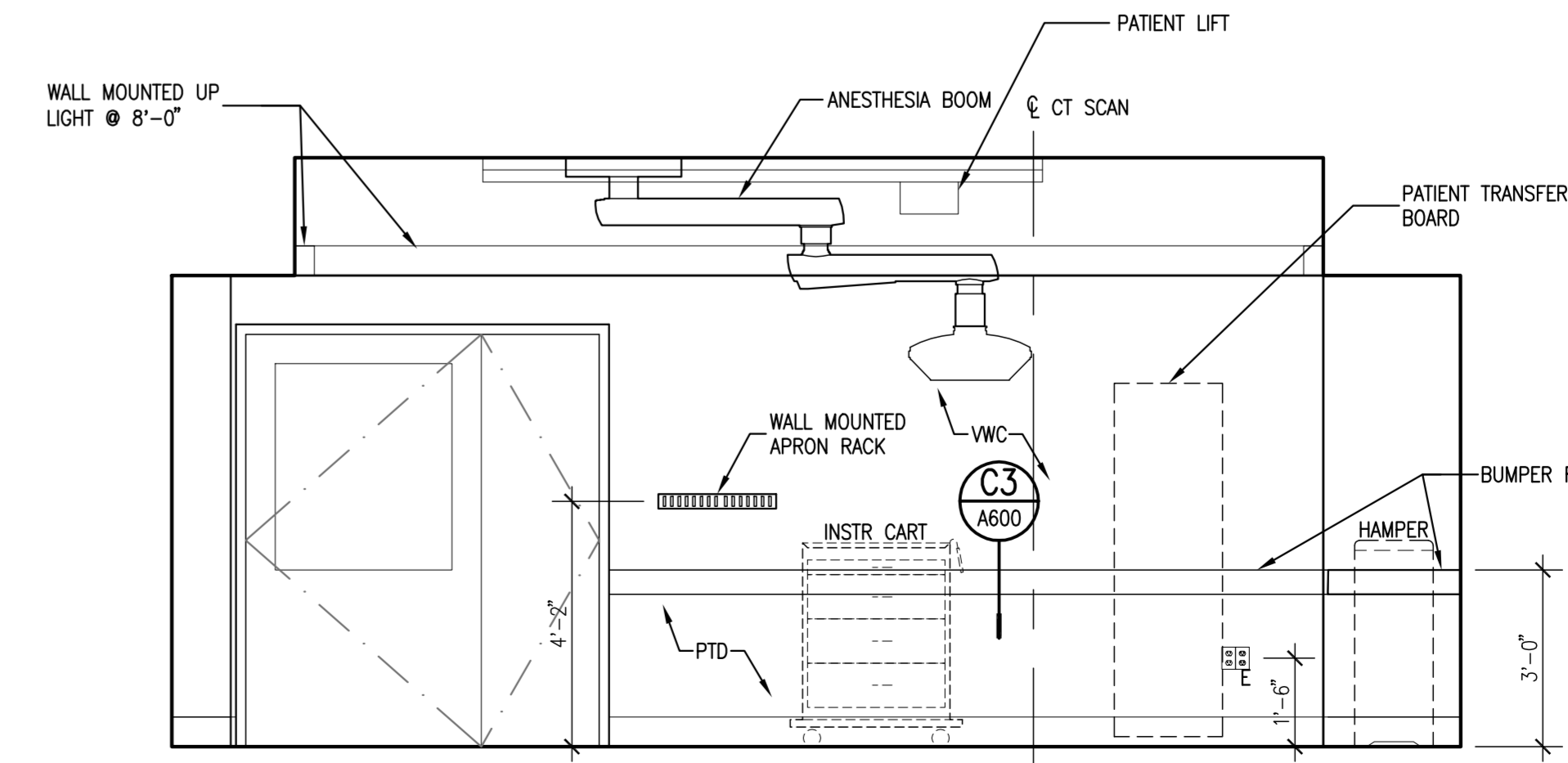
6 TYPICAL CT SCAN CT SCAN B405-ER
SCALE: 3/8" = 1'-0"



A4 CT SCAN 1 REFLECTED CEILING PLAN
SCALE: 1/4" = 1'-0"

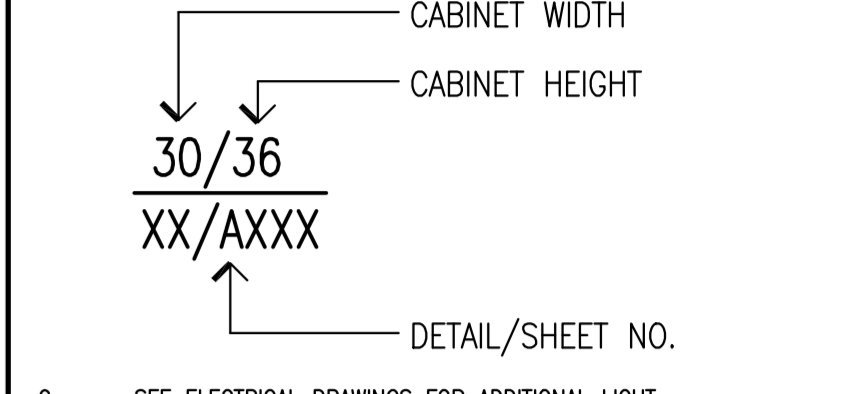


7 TYPICAL CT SCAN CT SCAN B405-ER
SCALE: 3/8" = 1'-0"



8 TYPICAL CT SCAN CT SCAN B405-ER
SCALE: 3/8" = 1'-0"

- General Notes:**
- PROVIDE END PANELS WHERE CASEWORK DOES NOT ABUT WALL. -SEE DETAIL AX/AXXX
 - PROVIDE 1-1/2" (MIN.) FILLER PIECE ON WALL & BASE CABINETS AND 1-1/2" (MIN.) EXTENSION TO COUNTER WHERE ENDS OF CASEWORK ABUT WALL.
 - FIELD VERIFY ALL DIMENSIONS PRIOR TO FABRICATION AND INSTALLATION.
 - PROVIDE 2-1/2" LIGHT VALANCE WHERE TASK LIGHTING IS INDICATED UNDER WALL CABINETS.
 - WHERE VALANCES ARE PROVIDED, EXTEND SIDE PANELS OF WALL CABINET TO MATCH LIGHT VALANCE DIMENSION IF CABINET DOES NOT TERMINATE AT A WALL.
 - PROVIDE VALANCE AND BACKSPASHES IN LONGEST POSSIBLE LENGTH OF MATERIAL TO MINIMIZE JOINTS.
 - FILLER PIECE SCRIBED TO SOFFIT AND WALL (TYP) -SEE DETAIL AX/AXXX.
 - CUSTOM CABINETS SHALL BE DESIGNATED AS FOLLOWS:

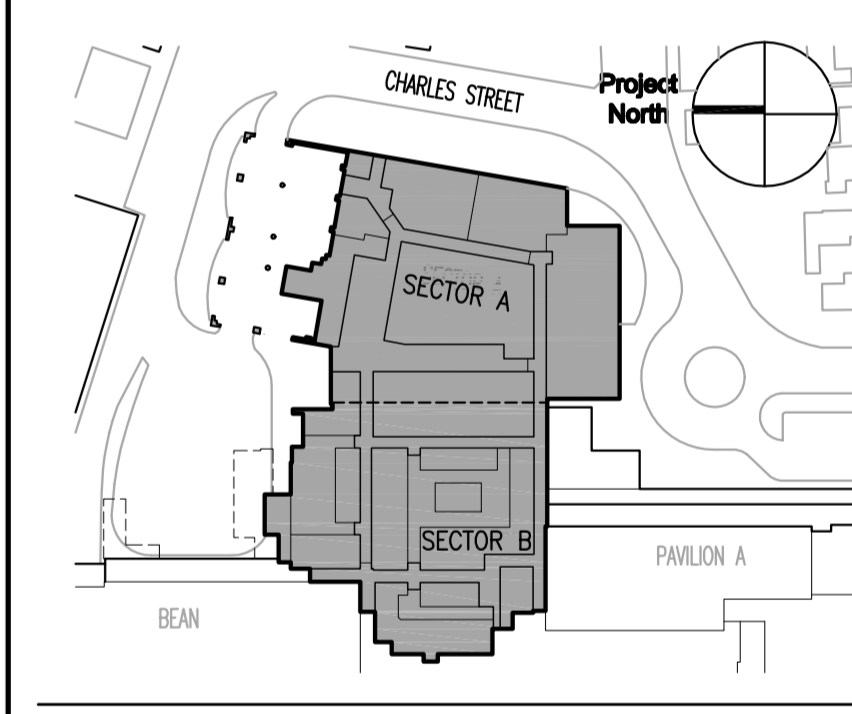


- SEE ELECTRICAL DRAWINGS FOR ADDITIONAL LIGHT

SYMBOL LEGEND

MARK	COMPONENTS ON EACH BOOM (4 TYP)
□	HOOK
□	TV CONNECTION
□	MONITOR CONNECTION
□	LIGHT SWITCH
□	SURGICAL LIGHT SWITCH
□	VACUUM
□	SLIDE
□	VACUUM
□	OXYGEN
□	MEDICAL AIR
□	STAFF ASSIST/ CODE
□	BLUE DUPLEX - EMER
□	DUPLEX - NORM
□	TEL/DATA
□	PATIENT STATION
□	STAFF REG
□	FIRE AUX MOD
□	WALL PHONE
□	OTD/OPHTHALMOSCOPE
□	MONITOR ON BRACKET WITH POWER AND MONITOR CONNECTION
□	GLOVE BOX (5)
□	SHARPS CONTAINER

MARK	ISSUE DATE	DESCRIPTION
BID	12/14/07	BID SET
Issue Log		



TRO Jung|Brannen
ARCHITECTURE INTERIOR DESIGN ENGINEERING MASTER PLANNING
22 Boston Wharf Road, Boston, Massachusetts 02210
Tel 617.502.8400 Fax 617.502.3402 www.trojungbrannen.com

Maine Medical Center
ED Expansion and Renovation
Portland, Maine MMC Project No. 21843

Drawing Title: **TYP PSYCH RM & CT SCAN 1 PLANS, RCPS AND ELEVATIONS**

Drawn By	KFEC	Commission No.	4696
Approved By	JJV	Date Issued	12/14/07

Phase / Package Number: _____ Sheet Number: **A724**

Copyright © 2007 TRO Jung|Brannen P:\Maine Medical\4696 - Emergency...A724.dwg