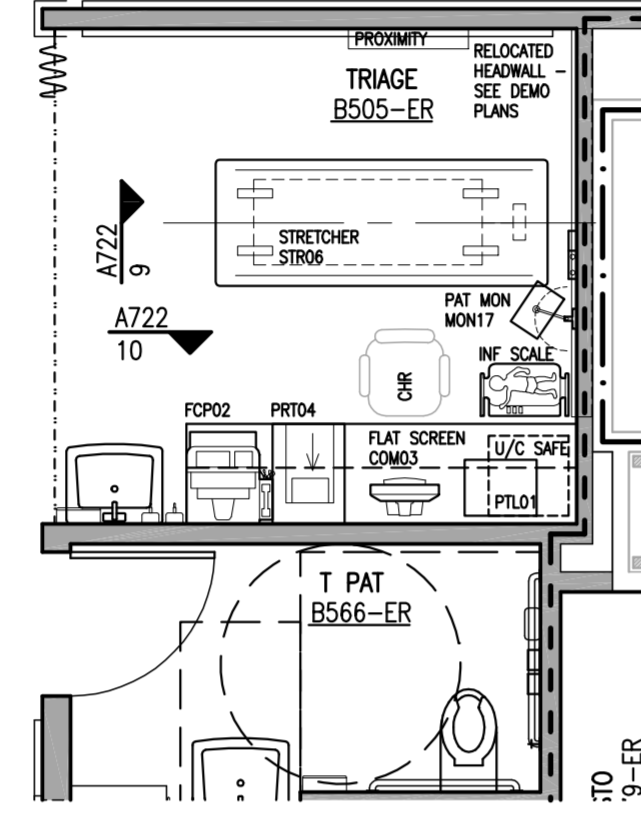


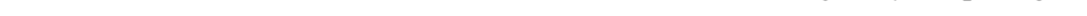
A2 REMIS/EMS FLOOR PLAN
SCALE: 1/4" = 1'-0"



1 REMIS KIT B506-ER
SCALE: 3/8" = 1'-0"



2 REMIS KIT B506-ER
SCALE: 3/8" = 1'-0"



3 REMIS REMIS B508-ER
SCALE: 3/8" = 1'-0"



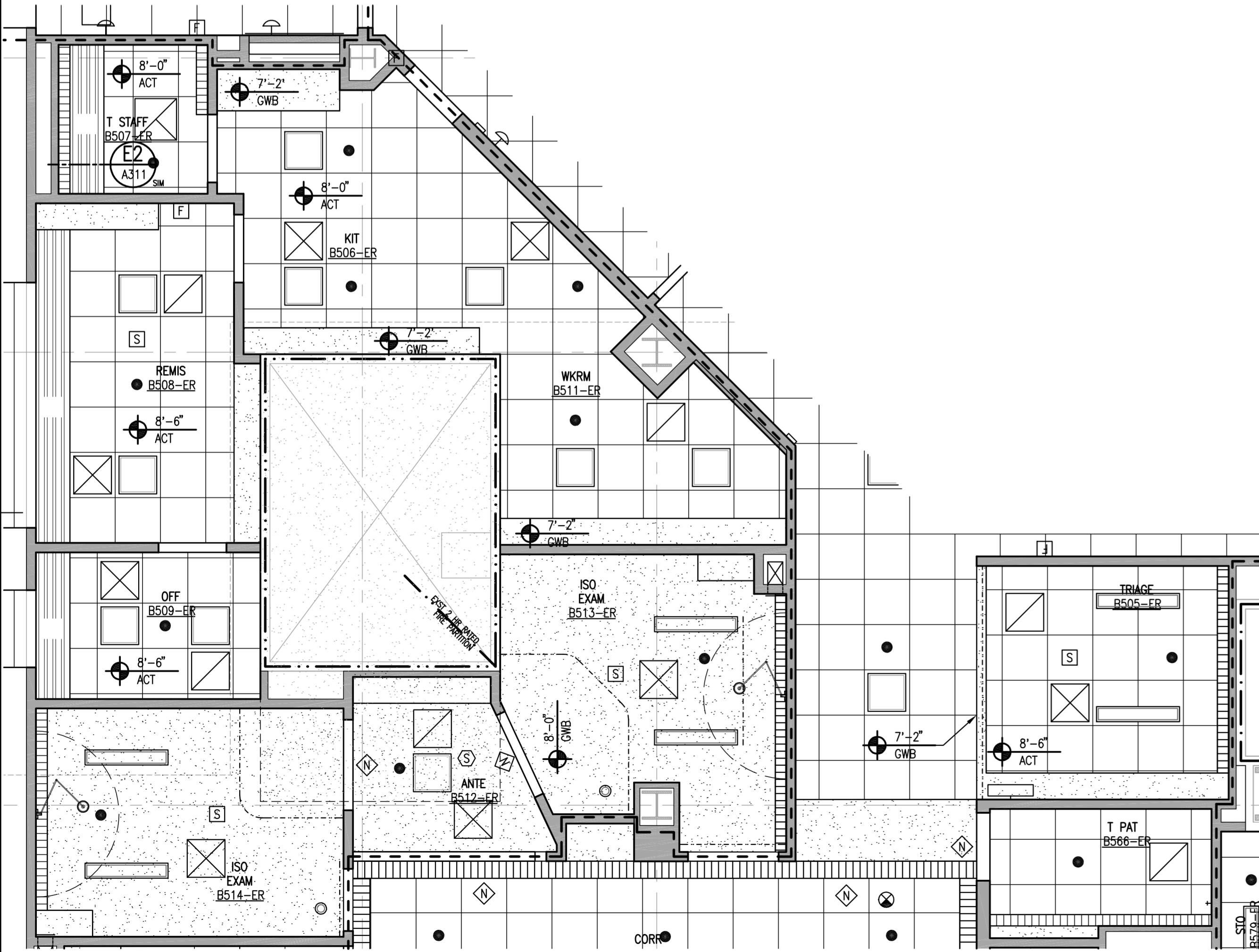
4 REMIS REMIS B508-ER
SCALE: 3/8" = 1'-0"



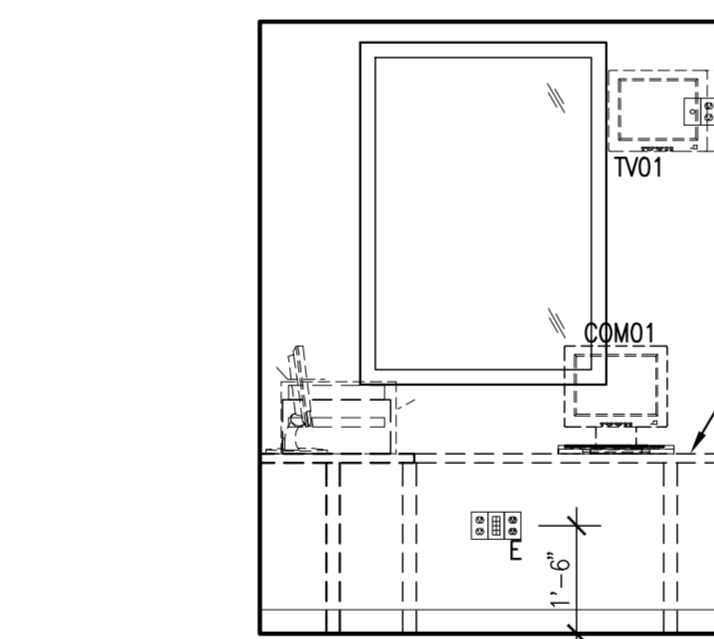
5 REMIS REMIS B508-ER
SCALE: 3/8" = 1'-0"



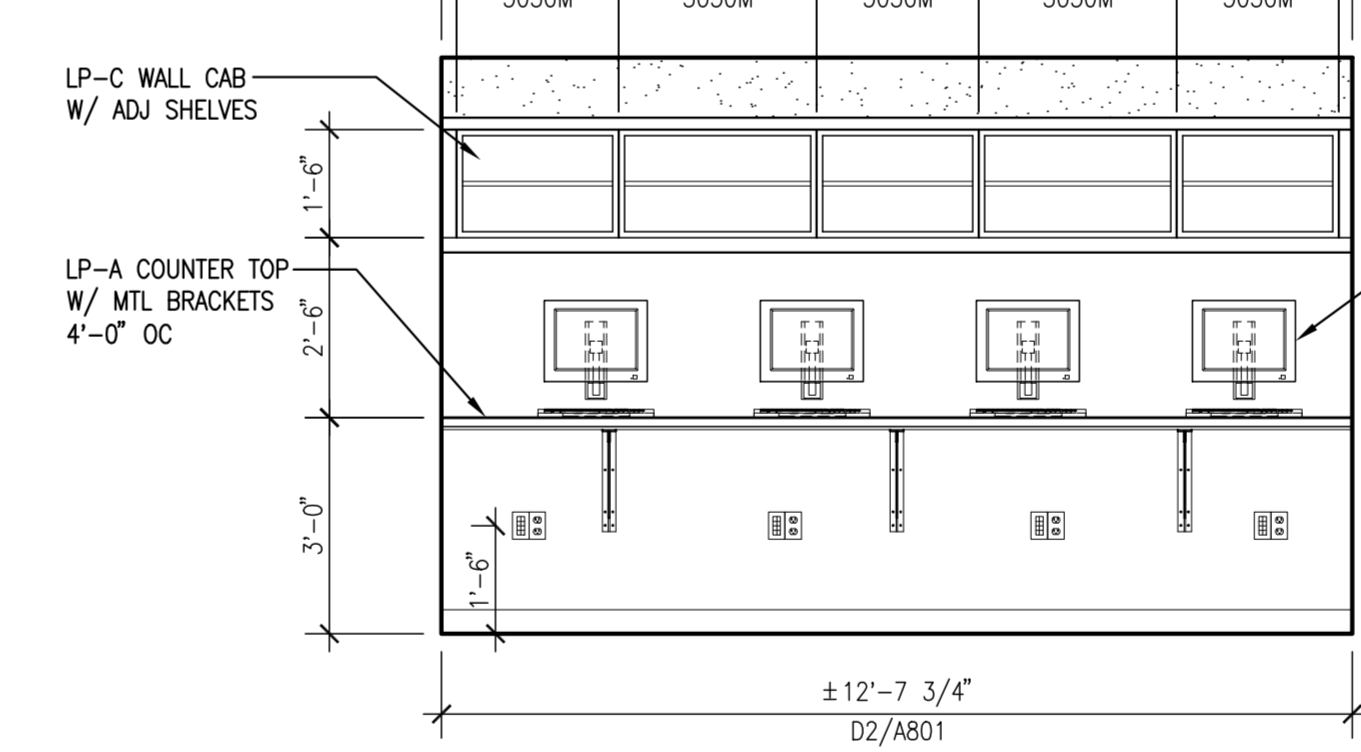
6 REMIS OFF B509-ER
SCALE: 3/8" = 1'-0"



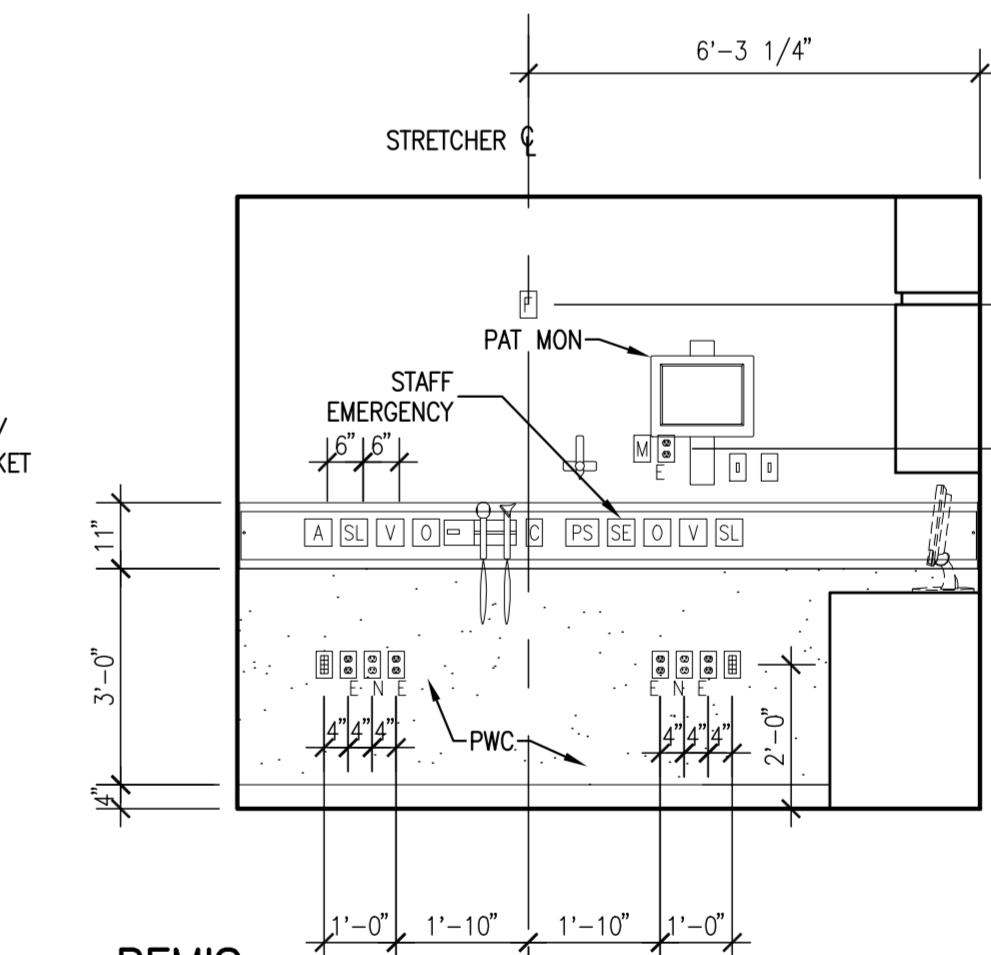
A4 REMIS/EMS REFLECTED CEILING PLAN
SCALE: 1/4" = 1'-0"



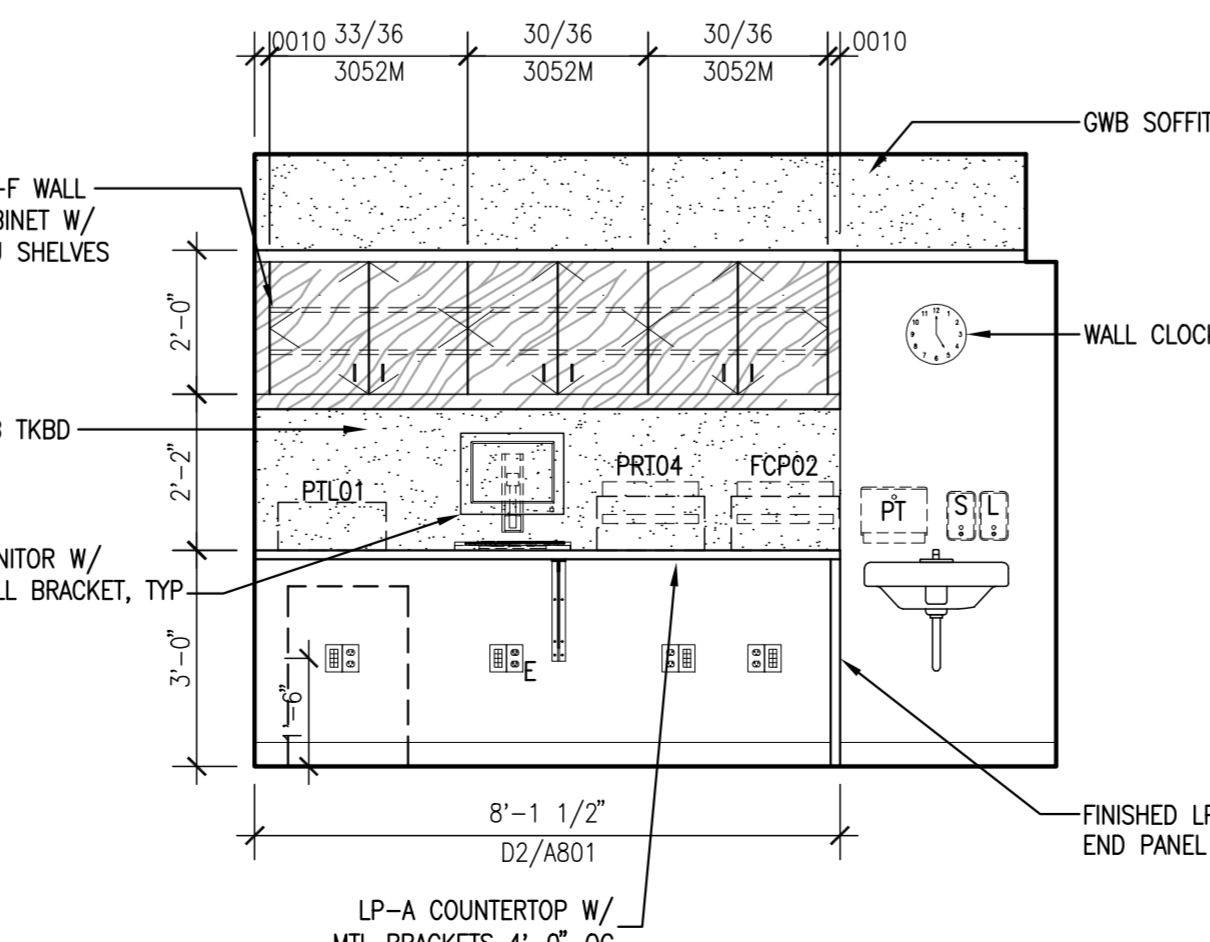
7 REMIS OFF B509-ER
SCALE: 3/8" = 1'-0"



8 REMIS WKRM B511-ER
SCALE: 3/8" = 1'-0"



9 REMIS TRIAGE B505-ER
SCALE: 3/8" = 1'-0"



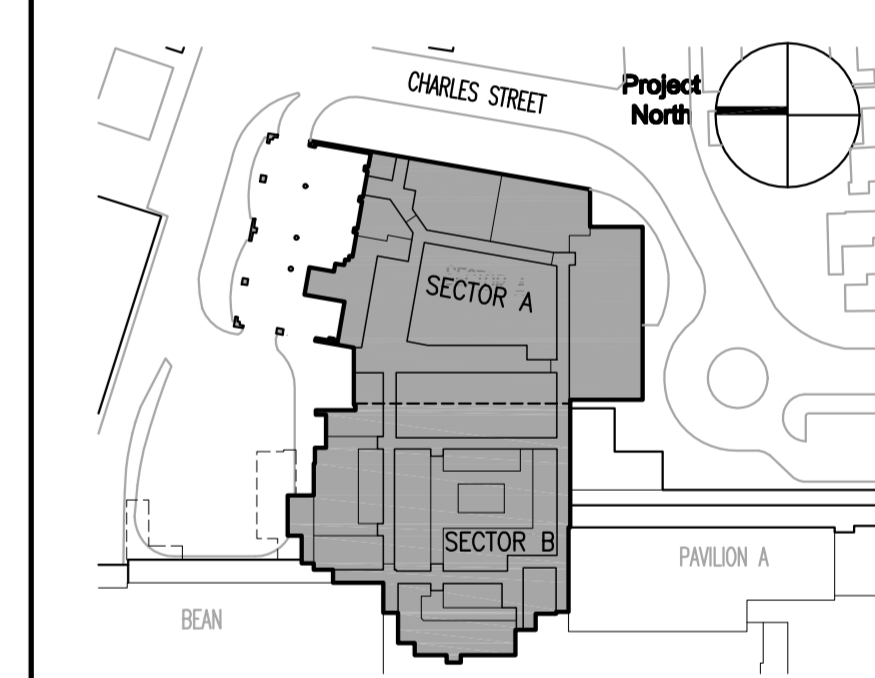
10 TRIAGE B505-ER
SCALE: 3/8" = 1'-0"



- General Notes:**
- PROVIDE END PANELS WHERE CASEWORK DOES NOT ABUT WALL. -SEE DETAIL AX/AXXX
 - PROVIDE 1-1/2" (MIN.) FILLER PIECE ON WALL & BASE CABINETS AND 1-1/2" (MIN.) EXTENSION TO COUNTER WHERE ENDS OF CASEWORK ABUT WALL
 - FIELD VERIFY ALL DIMENSIONS PRIOR TO FABRICATION AND INSTALLATION.
 - PROVIDE 2-1/2" LIGHT VALANCE WHERE TASK LIGHTING IS INDICATED UNDER WALL CABINETS
 - WHERE VALANCES ARE PROVIDED, EXTEND SIDE PANELS OF WALL CABINET TO MATCH LIGHT VALANCE DIMENSION IF CABINET DOES NOT TERMINATE AT A WALL
 - PROVIDE VALANCES AND BACKSPASHES IN LONGEST POSSIBLE LENGTH OF MATERIAL TO MINIMIZE JOINTS
 - FILLER PIECE SCRIBED TO SOFFIT AND WALL (TYP) -SEE DETAIL AX/AXXX
 - CUSTOM CABINETS SHALL BE DESIGNATED AS FOLLOWS:
 - SEE ELECTRICAL DRAWINGS FOR ADDITIONAL LIGHT
- SYMBOL LEGEND**
- | | | |
|----------|-----------------------|--|
| [Symbol] | HOOK | COMPONENTS ON EACH BOOM (4 TYP) |
| [Symbol] | TV CONNECTION | 1 - SURGICAL LIGHT |
| [Symbol] | MONITOR CONNECTION | 4 - VACUUM |
| [Symbol] | LIGHT SWITCH | 4 - OXYGEN |
| [Symbol] | SURGICAL LIGHT SWITCH | 4 - SLIDES |
| [Symbol] | SLIDE | 2 - MEDICAL AIR |
| [Symbol] | VACUUM | 4 - RECEPTACLES (NORMAL) |
| [Symbol] | OXYGEN | 2 - RECEPTACLES (EMER) |
| [Symbol] | MEDICAL AIR | 2 - TEL/DATA |
| [Symbol] | STAFF ASSIST/CODE | |
| [Symbol] | BLUE DUPLEX - EMER | MONITOR ON BRACKET WITH POWER AND MONITOR CONNECTION |
| [Symbol] | DUPLEX - NORM | |
| [Symbol] | TEL/DATA | |
| [Symbol] | PATIENT STATION | GLOVE BOX (5) |
| [Symbol] | STAFF REG | |
| [Symbol] | FIRE AUX MOD | |
| [Symbol] | WALL PHONE | |
| [Symbol] | OTO/OPTHALMOSCOPE | SHARPS CONTAINER |

MARK	ISSUE DATE	DESCRIPTION
BID	12/14/07	BID SET

Issue Log



TRO Jung|Brannen
ARCHITECTURE INTERIOR DESIGN ENGINEERING MASTER PLANNING
22 Boston Wharf Road, Boston, Massachusetts 02210
Tel 617.502.9400 Fax 617.502.3402 www.trojungbrannen.com

Maine Medical Center
ED Expansion and Renovation
Portland, Maine MMC Project No. 21843

Drawing Title
REMIS/EMS PLANS, RCP AND ELEVATIONS

Drawn By	KFEC	Commission No.	4696
Approved By	AF	Date Issued	12/14/07

Phase / Package Number Sheet Number

A722

Copyright © 2007 TRO Jung|Brannen P:\Maine Medical\4696 - Emergency...A722.