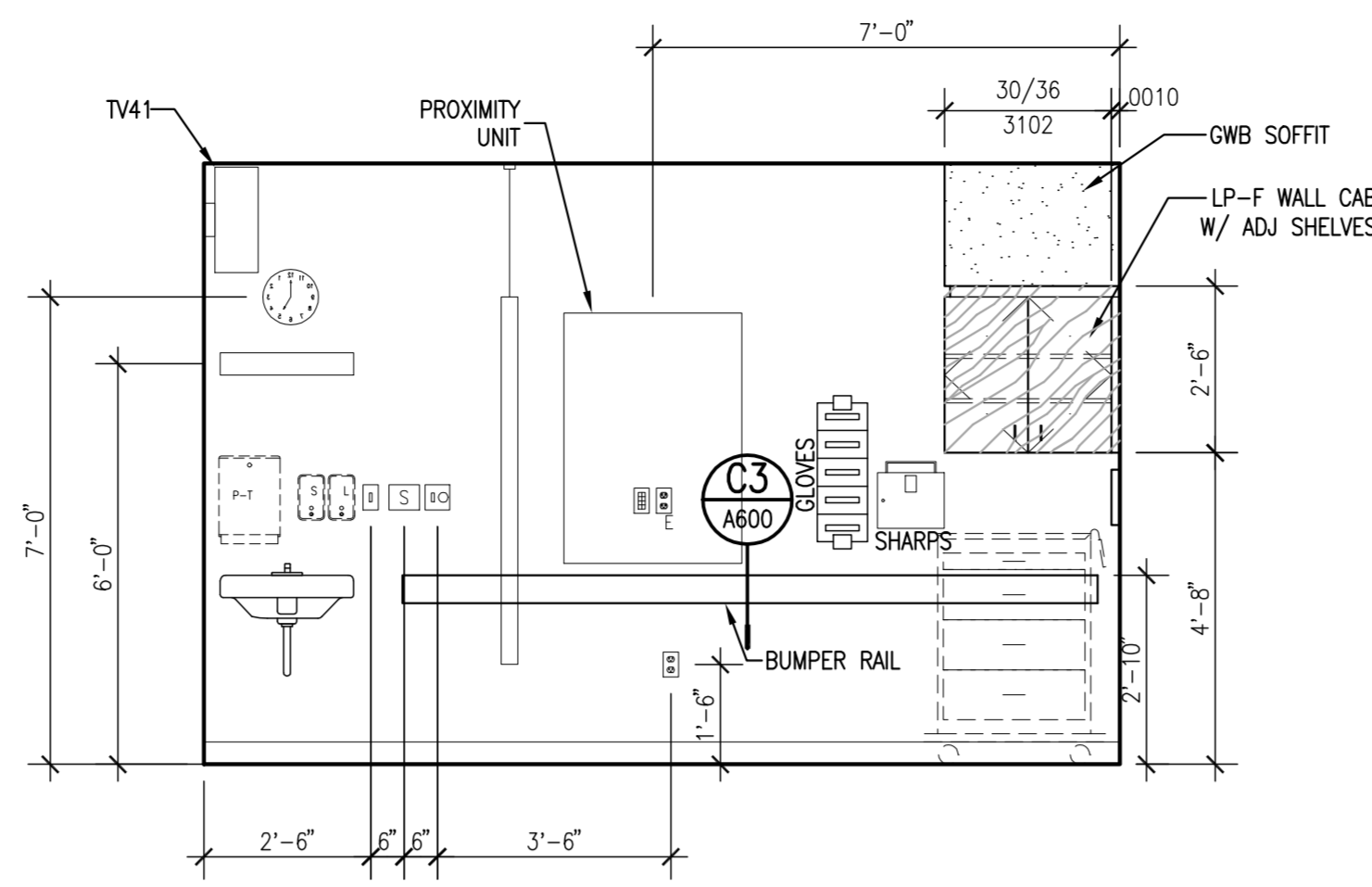
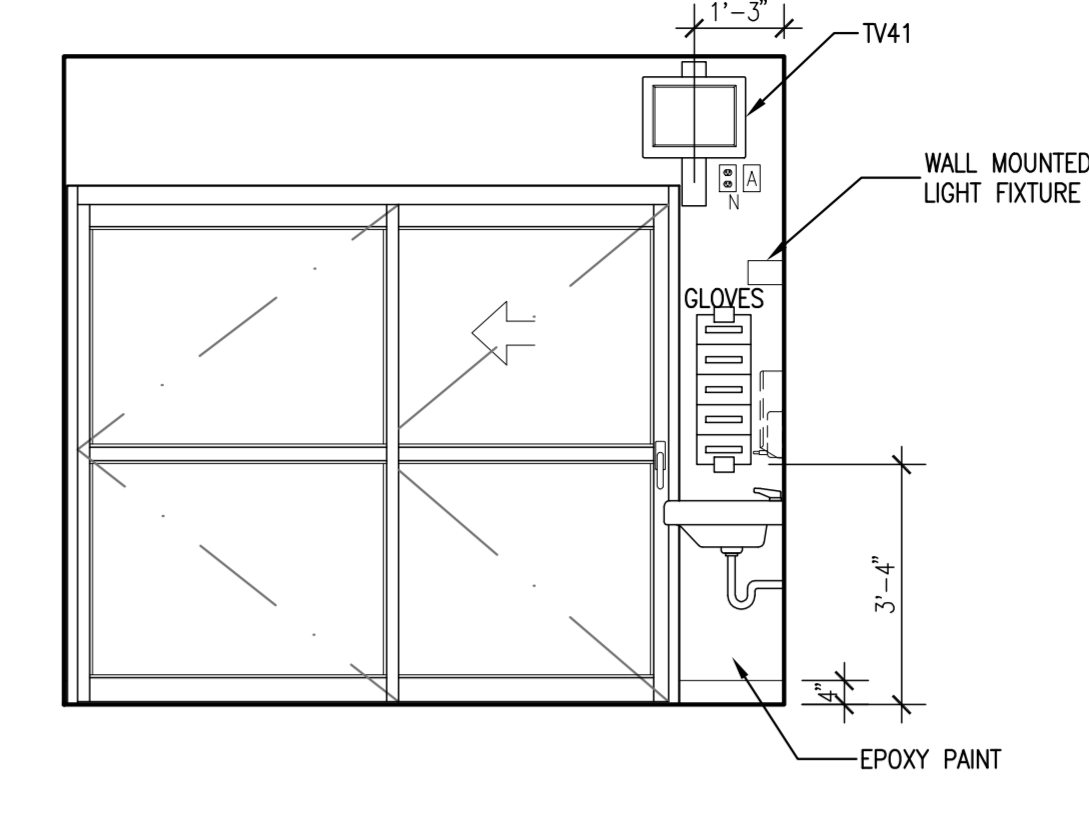


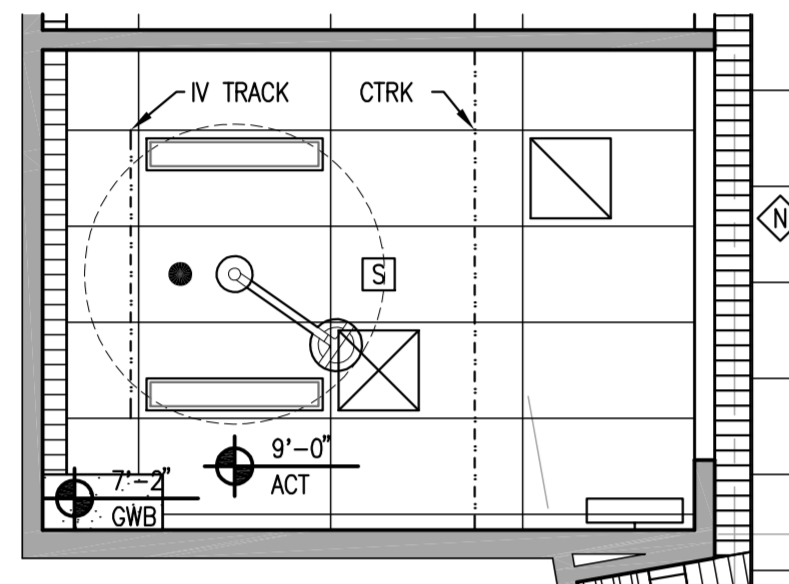
A1 TYPICAL EXAM 1 FLOOR PLAN
SCALE: 1/4" = 1'-0"



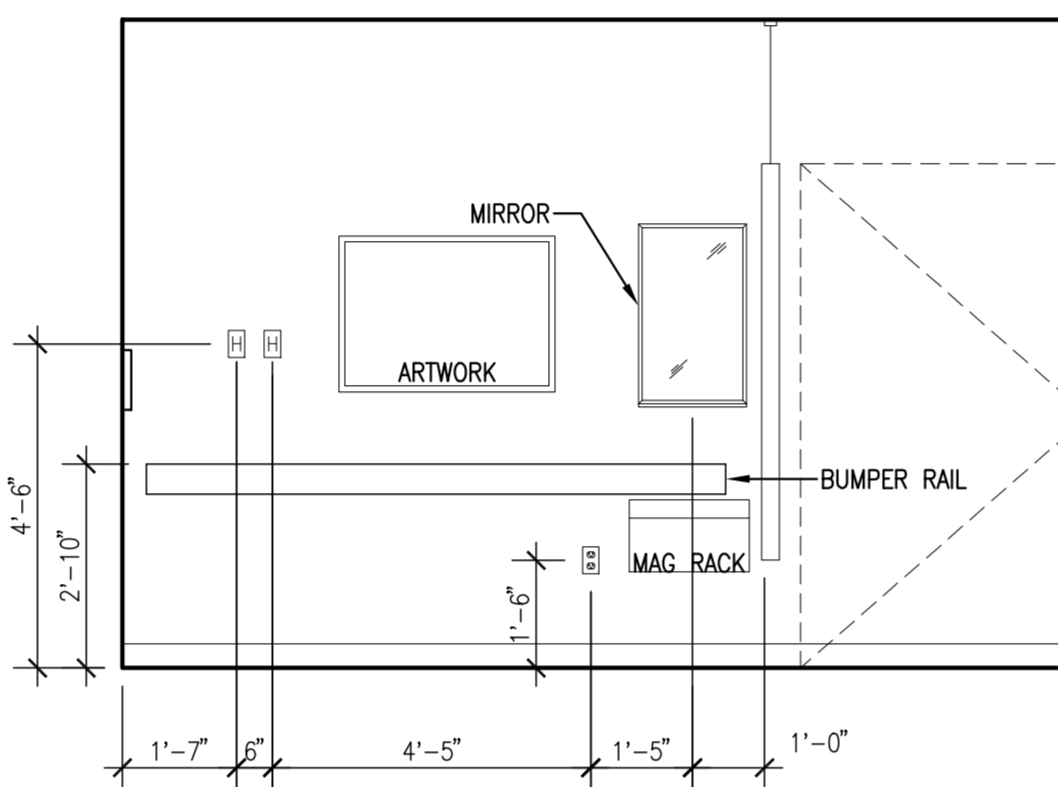
1 EXAM ROOM STAFF SIDE
SCALE: 3/8" = 1'-0"



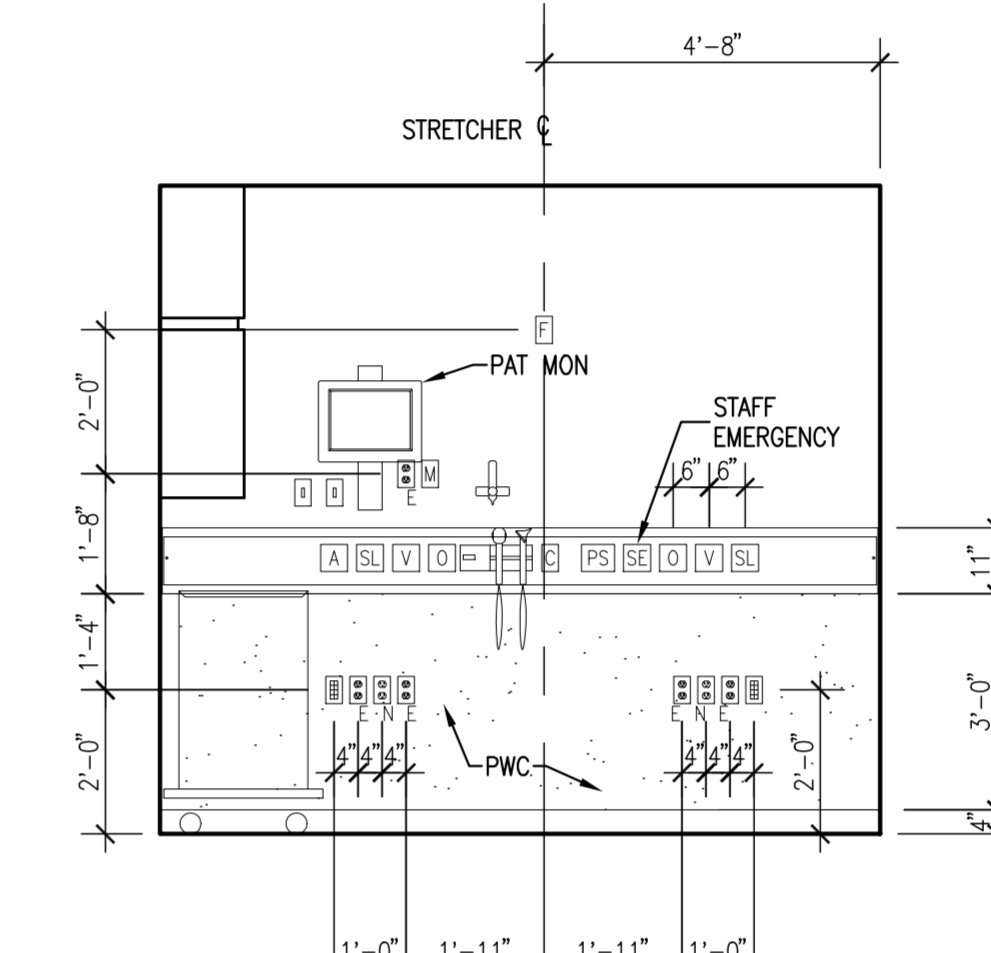
2 EXAM ROOM CORRIDOR SIDE
SCALE: 3/8" = 1'-0"



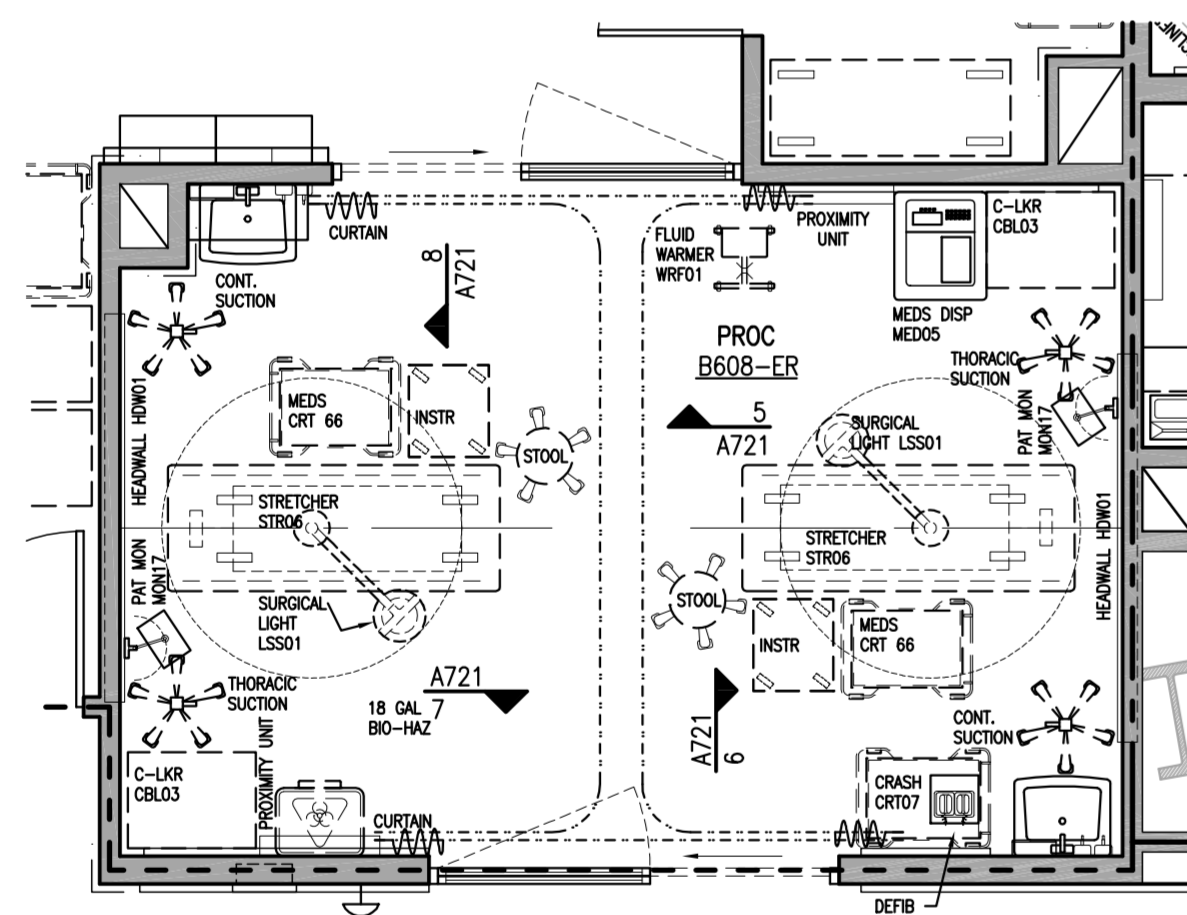
A2 TYPICAL EXAM ROOM REFLECTED CEILING PLAN
SCALE: 1/4" = 1'-0"



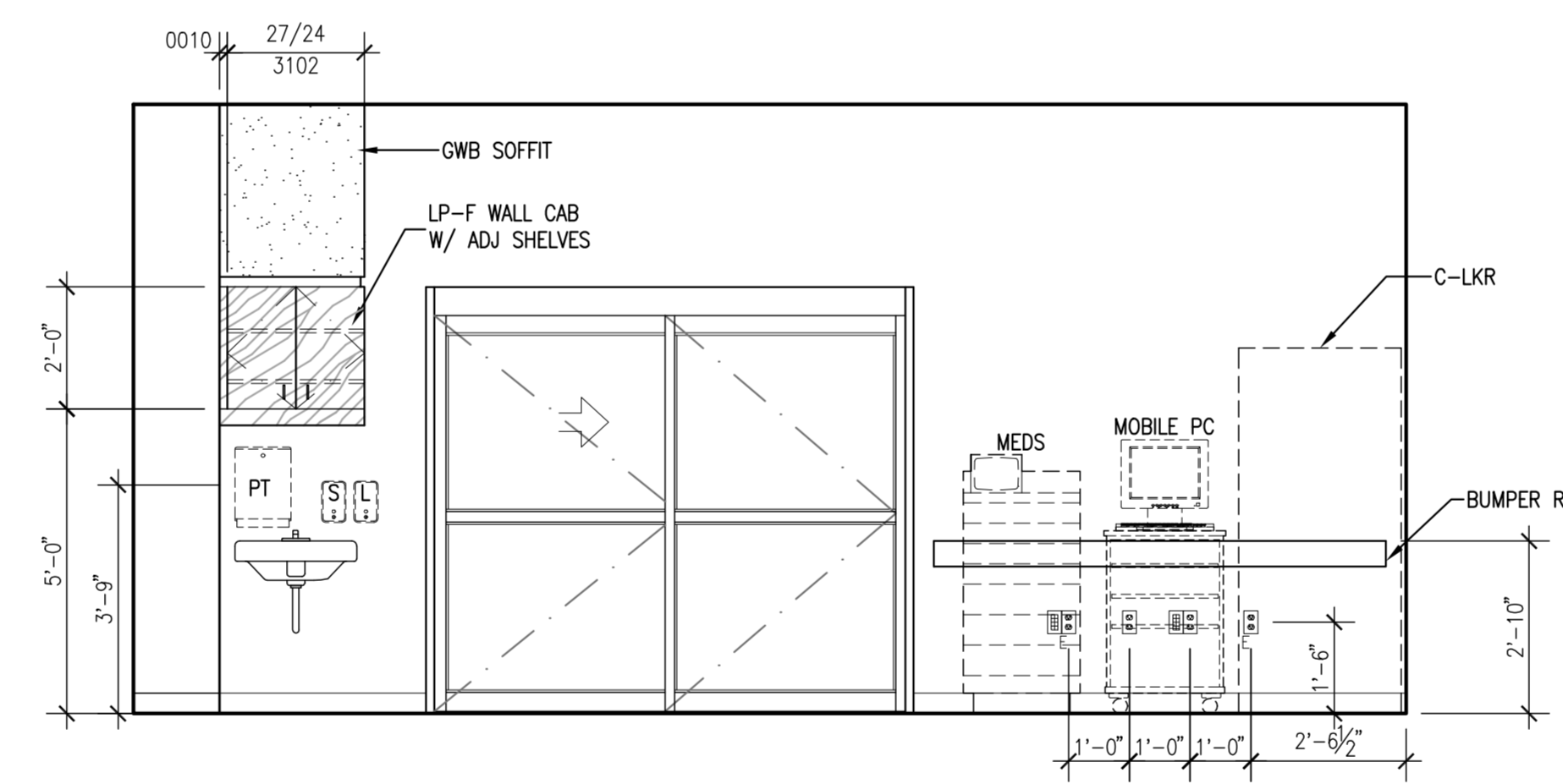
3 EXAM ROOM FAMILY SIDE
SCALE: 3/8" = 1'-0"



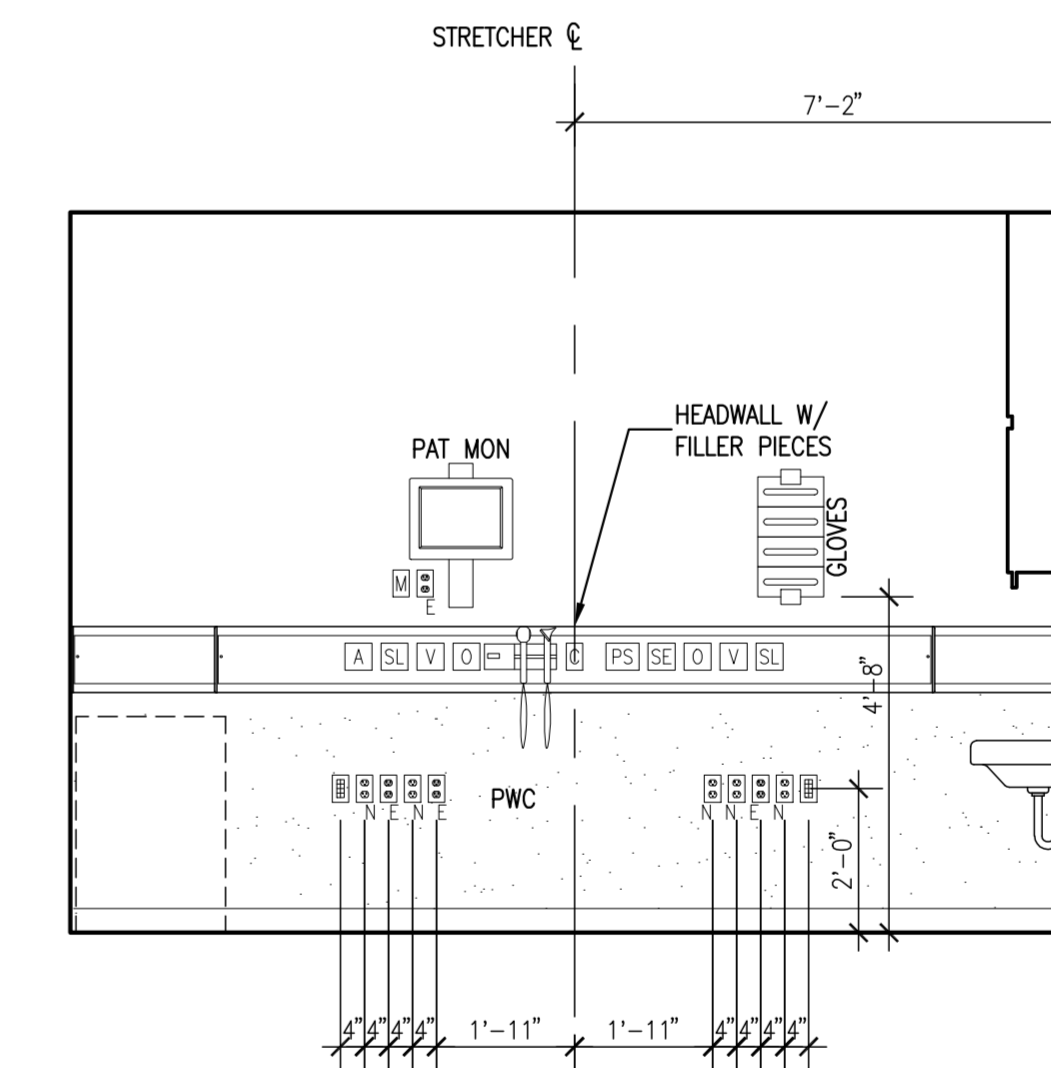
4 EXAM ROOM HEADWALL
SCALE: 3/8" = 1'-0"



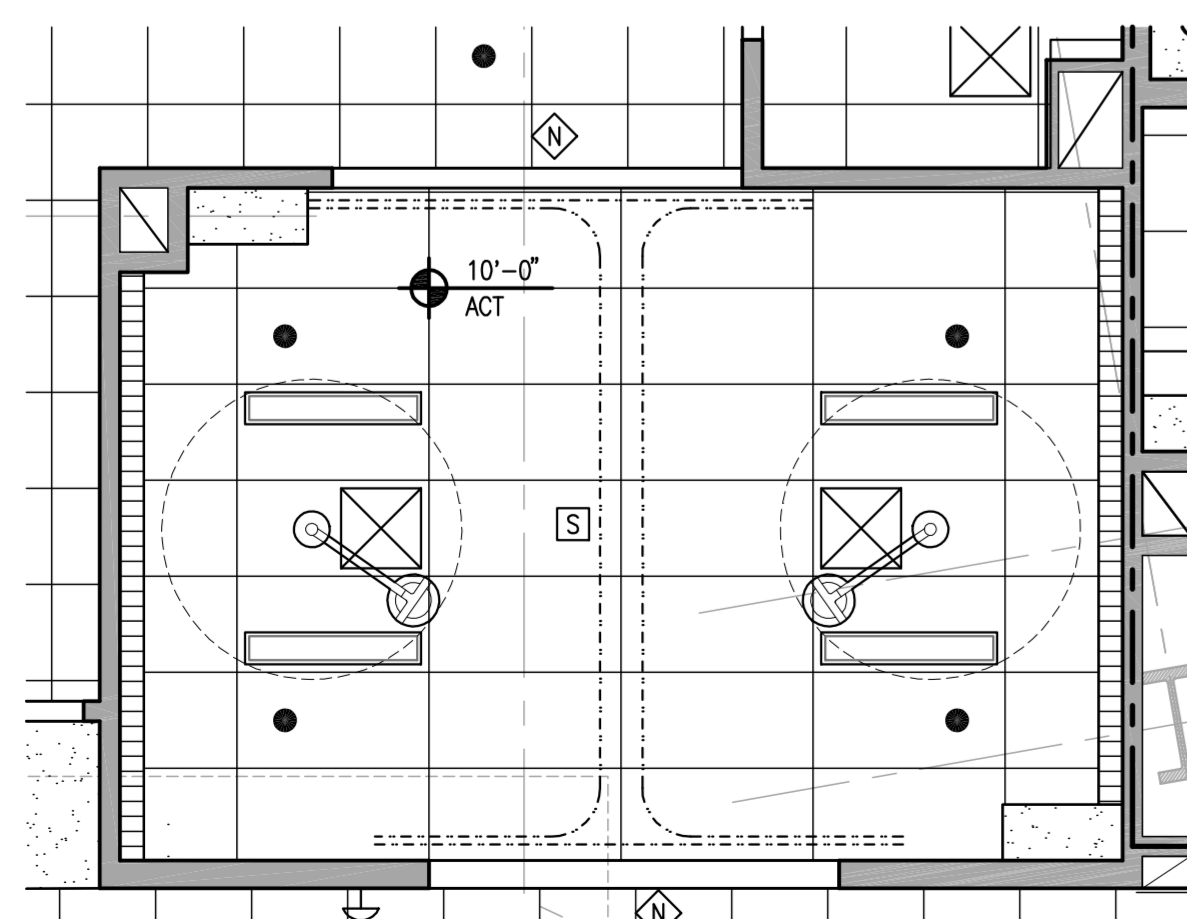
A3 PROCEDURE ROOMS 5 AND 6 FLOOR PLAN
SCALE: 1/4" = 1'-0"



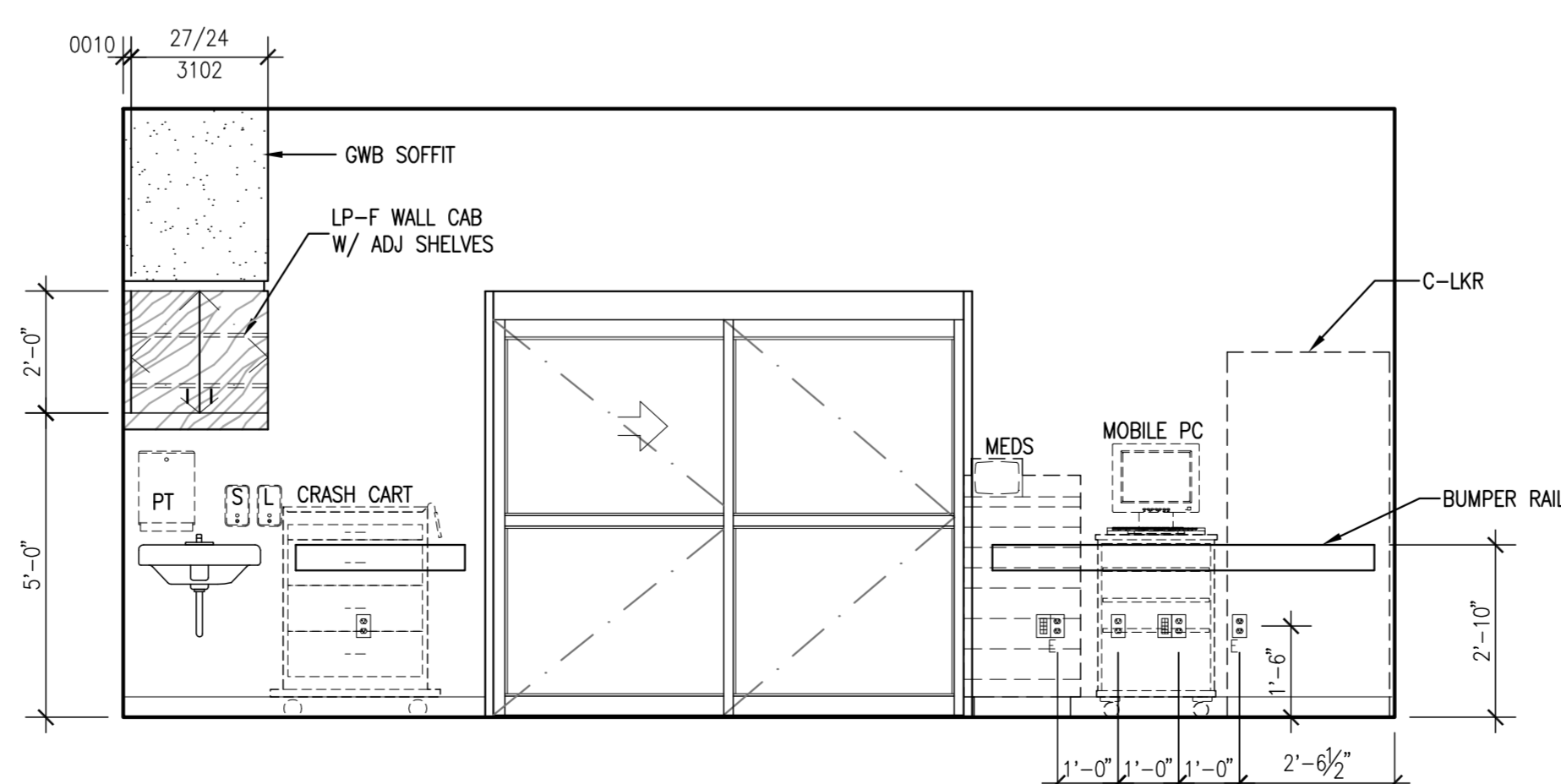
5 PROCEDURE ROOM 5 & 6
SCALE: 3/8" = 1'-0"



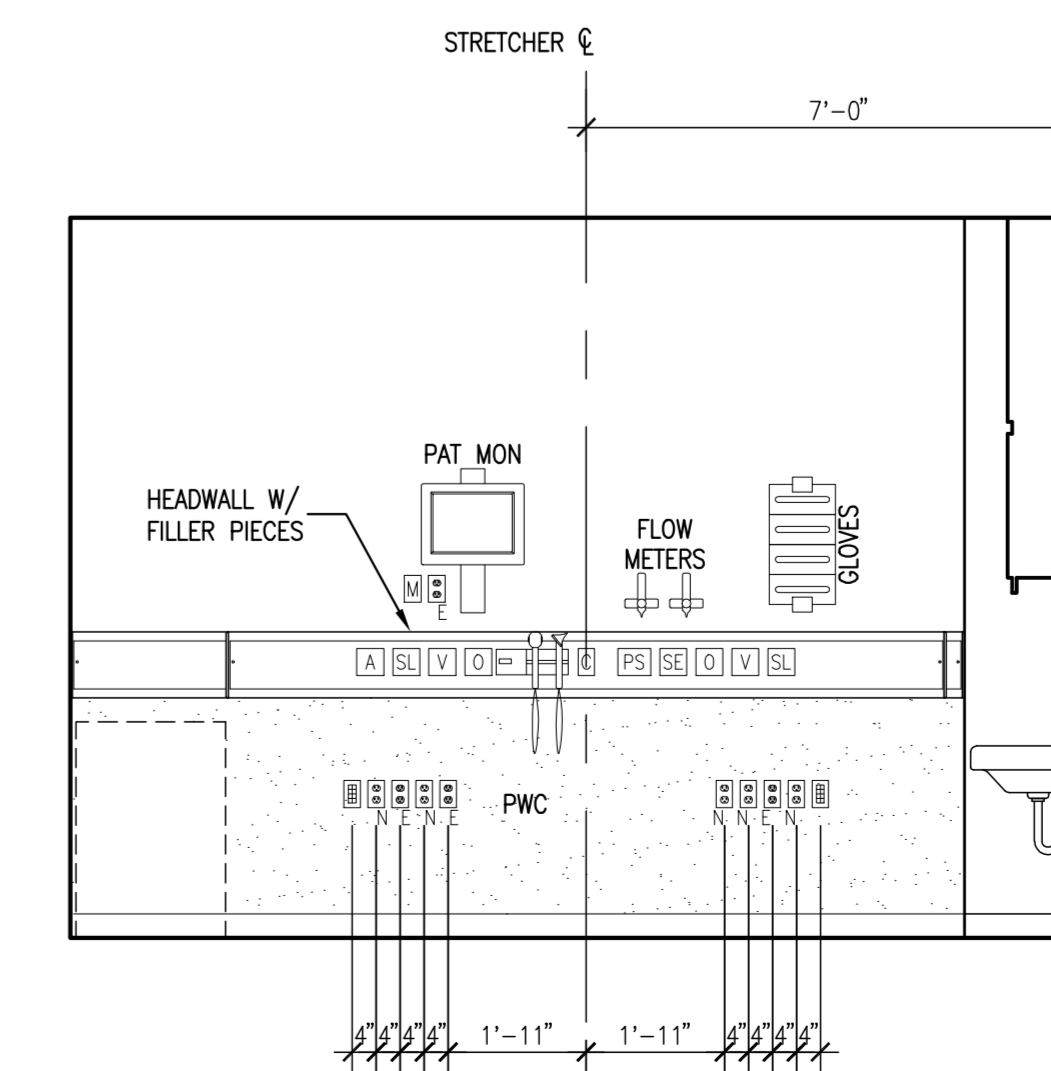
6 PROCEDURE ROOM 5 & 6
SCALE: 3/8" = 1'-0"



A4 PROCEDURE RMS 5 AND 6 REFLECTED CEILING PLAN
SCALE: 1/4" = 1'-0"



7 PROCEDURE ROOM 5 & 6
SCALE: 3/8" = 1'-0"



8 PROCEDURE ROOM 5 & 6
SCALE: 3/8" = 1'-0"

General Notes:

- PROVIDE END PANELS WHERE CASEWORK DOES NOT ABUT WALL. -SEE DETAIL AX/AXXX
- PROVIDE 1-1/2" (MIN.) FILLER PIECE ON WALL & BASE CABINETS AND 1-1/2" (MIN.) EXTENSION TO COUNTER WHERE ENDS OF CASEWORK ABUT WALL.
- FIELD VERIFY ALL DIMENSIONS PRIOR TO FABRICATION AND INSTALLATION.
- PROVIDE 2-1/2" LIGHT VALANCE WHERE TASK LIGHTING IS INDICATED UNDER WALL CABINETS
- WHERE VALANCES ARE PROVIDED, EXTEND SIDE PANELS OF WALL CABINET TO MATCH LIGHT VALANCE DIMENSION IF CABINET DOES NOT TERMINATE AT A WALL.
- PROVIDE VALANCES AND BACKPLASHES IN LONGEST POSSIBLE LENGTH OF MATERIAL TO MINIMIZE JOINTS
- FILLER PIECE SCRIBED TO SOFFIT AND WALL (TYP) -SEE DETAIL AX/AXXX
- CUSTOM CABINETS SHALL BE DESIGNATED AS FOLLOWS:

SYMBOL LEGEND

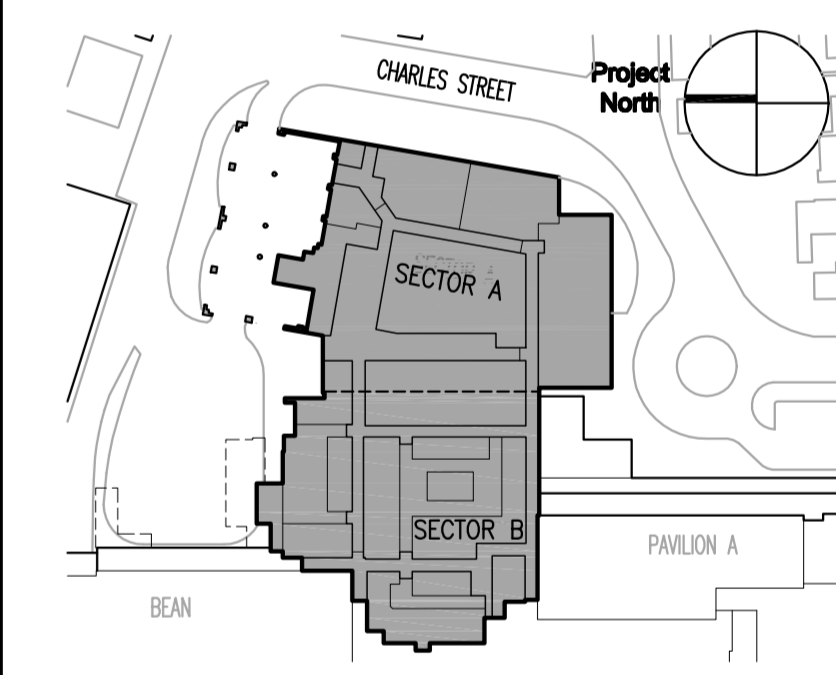
	HOOK		TV CONNECTION		MONITOR CONNECTION		SURGICAL LIGHT SWITCH		SLIDE		VACUUM		OXYGEN		MEDICAL AIR		STAFF ASSIST/CODE		BLUE DUPLEX - EMER		DUPLEX - NORM		PATIENT STATION		STAFF REG		FIRE AUX MOD		WALL PHONE		GLOVE BOX (S)		OTO/OPTHALMOSCOPE		SHARPS CONTAINER
--	------	--	---------------	--	--------------------	--	-----------------------	--	-------	--	--------	--	--------	--	-------------	--	-------------------	--	--------------------	--	---------------	--	-----------------	--	-----------	--	--------------	--	------------	--	---------------	--	-------------------	--	------------------

COMPONENTS ON EACH BOOM (4 TYP)

1 - SURGICAL LIGHT
4 - VACUUM
4 - OXYGEN
4 - SLIDES
2 - MEDICAL AIR
4 - RECEPTACLES (NORMAL)
6 - RECEPTACLES (EMER)
2 - TEL/DATA
MONITOR ON BRACKET WITH POWER AND MONITOR CONNECTION

MARK	ISSUE DATE	DESCRIPTION
BID	12/14/07	BID SET

Issue Log



Key Plan

TRO Jung|Brannen
ARCHITECTURE INTERIOR DESIGN ENGINEERING MASTER PLANNING
22 Boston Wharf Road, Boston, Massachusetts 02210
Tel 617.502.8400 Fax 617.502.3402 www.trojungbrannen.com

Maine Medical Center
ED Expansion and Renovation
Portland, Maine MMC Project No. 21843

Drawing Title
TYP EXAM RM AND PROCEDURE ROOM PLANS RCPS AND ELEVATIONS

Drawn By	KFEC	Commission No.	4696
Approved By	AF	Date Issued	12/14/07

Phase / Package Number Sheet Number
A721

Copyright © 2007 TRO Jung|Brannen P:\Maine Medical\4696 - Emergency...A721.dwg