

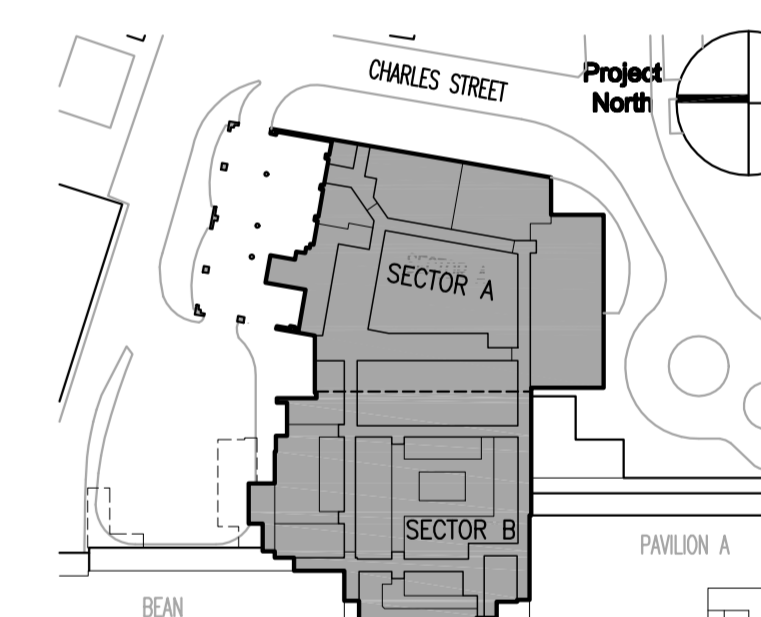
- General Notes:**
- PROVIDE END PANELS WHERE CASEWORK DOES NOT ABUT WALL. -SEE DETAIL AX/AXXX
  - PROVIDE 1-1/2" (MIN.) FILLER PIECE ON WALL & BASE CABINETS AND 1-1/2" (MIN.) EXTENSION TO COUNTER WHERE ENDS OF CASEWORK ABUT WALL.
  - FIELD VERIFY ALL DIMENSIONS PRIOR TO FABRICATION AND INSTALLATION.
  - PROVIDE 2-1/2" LIGHT VALANCE WHERE TASK LIGHTING IS INDICATED UNDER WALL CABINETS.
  - WHERE VALANCES ARE PROVIDED, EXTEND SIDE PANELS OF WALL CABINET TO MATCH LIGHT VALANCE DIMENSION IF CABINET DOES NOT TERMINATE AT A WALL.
  - PROVIDE VALANCES AND BACKSPLASHES IN LONGEST POSSIBLE LENGTH OF MATERIAL TO MINIMIZE JOINTS.
  - FILLER PIECE SCRIBED TO SOFFIT AND WALL (TYP) -SEE DETAIL AX/AXXX
  - CUSTOM CABINETS SHALL BE DESIGNATED AS FOLLOWS:
    - CABINET WIDTH
    - CABINET HEIGHT
    - 30/36
    - XX/AXXX
    - DETAIL/SHEET NO.
  - SEE ELECTRICAL DRAWINGS FOR ADDITIONAL LIGHT

**SYMBOL LEGEND**

SYMBOL	COMPONENTS ON EACH BOOM (4 TYP)
[S]	1 - SURGICAL LIGHT
[L]	4 - VACUUM
[O]	4 - OXYGEN
[SL]	4 - SLIDES
[V]	2 - MEDICAL AIR
[OX]	4 - RECEPTACLES (NORMAL)
[MA]	6 - RECEPTACLES (EMER)
[SA]	2 - TEL/DATA
[ST]	MONITOR ON BRACKET WITH POWER AND MONITOR CONNECTION
[P]	GLOVE BOX (5)
[W]	SHARPS CONTAINER
[M]	
[O/O]	
[OT/O]	

MARK	ISSUE DATE	DESCRIPTION

Issue Log



Key Plan

TRO Jung | Brannen

ARCHITECTURE INTERIOR DESIGN ENGINEERING MASTER PLANNING  
22 Boston Wharf Road, Boston, Massachusetts 02210  
Tel: 617.502.8400 Fax: 617.502.3402 www.trojungbrannen.com



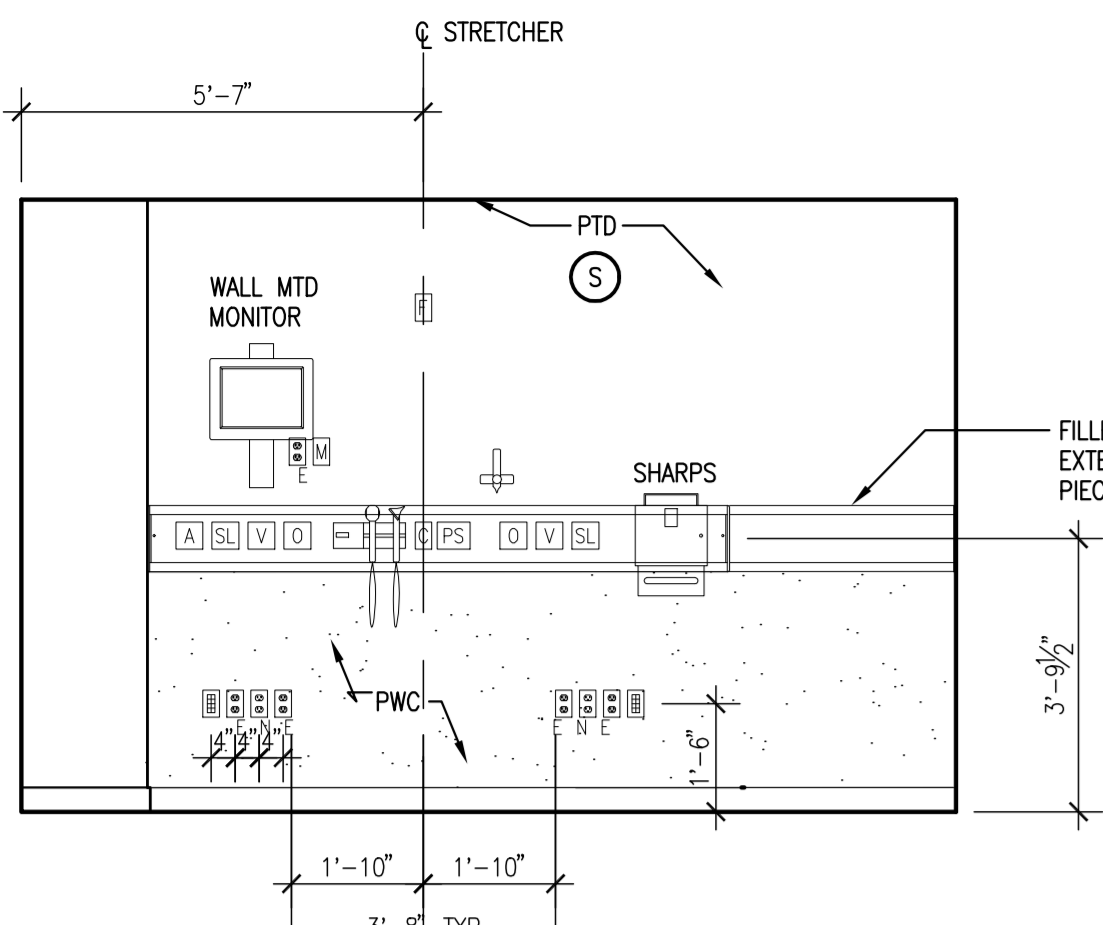
ED Expansion and Renovation  
Portland, Maine MMC Project No. 21843

Drawing Title  
**INTERIOR ELEVATIONS  
NO. 9**

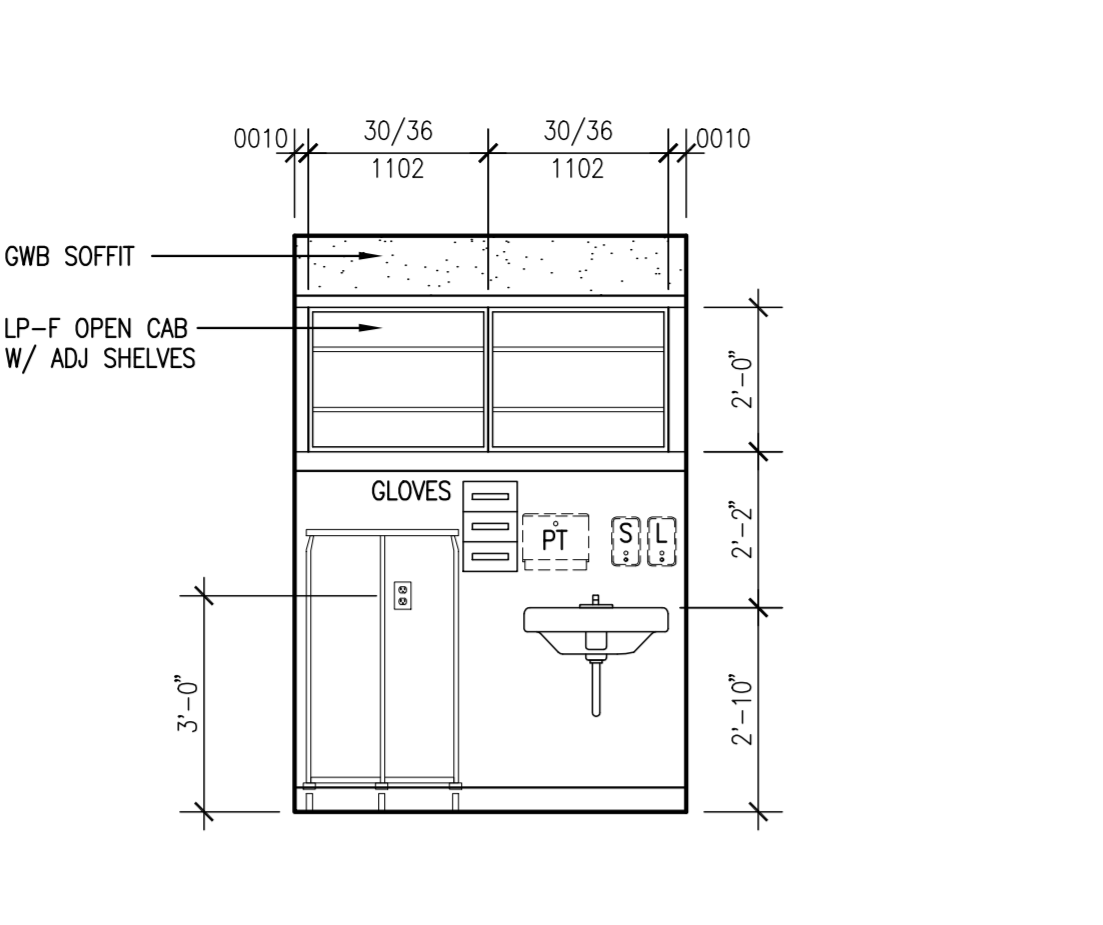
Drawn By	KFEC	Commission No.	4696
Approved By	AF	Date Issued	12/14/07

Phase / Package Number	Sheet Number
	<b>A709</b>

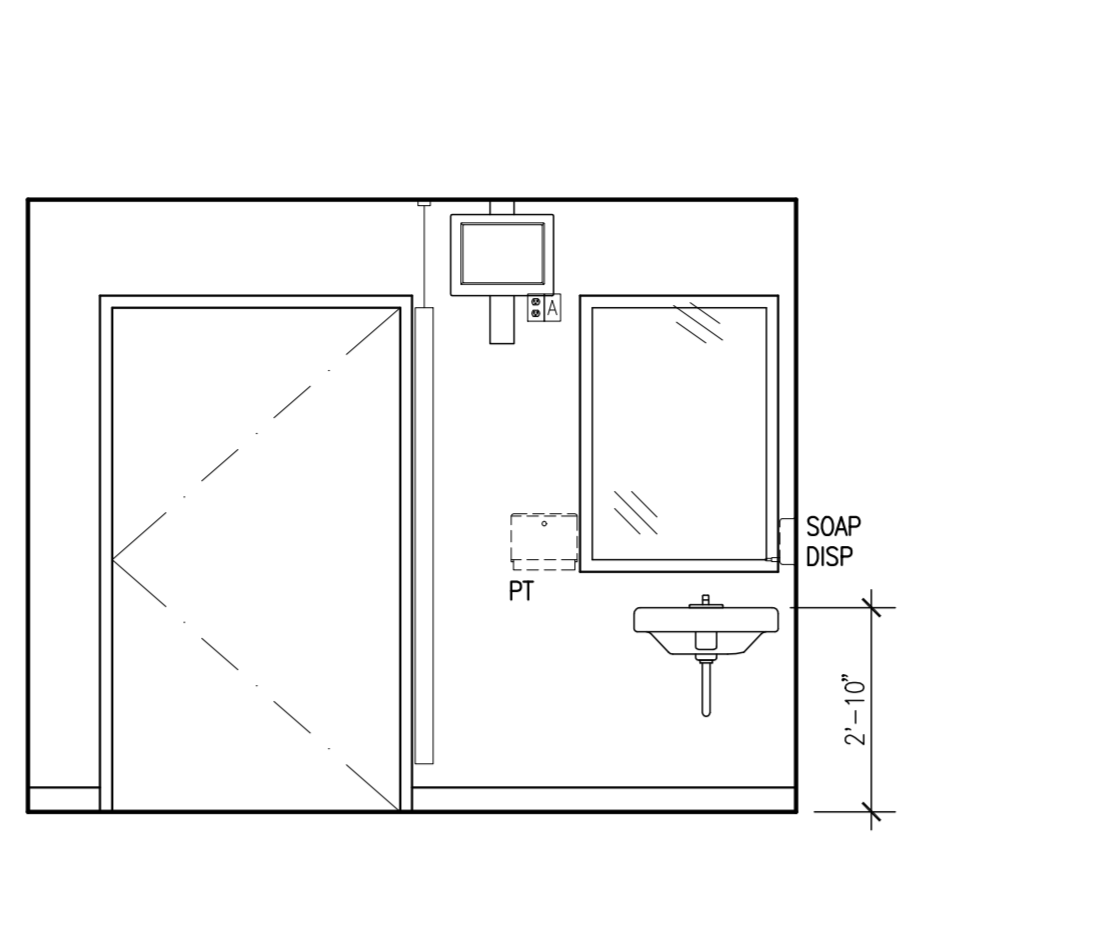
Copyright © 2007 TRO Jung|Brannen P:\Maine Medical\4696-Emerg...4696A709.dwg



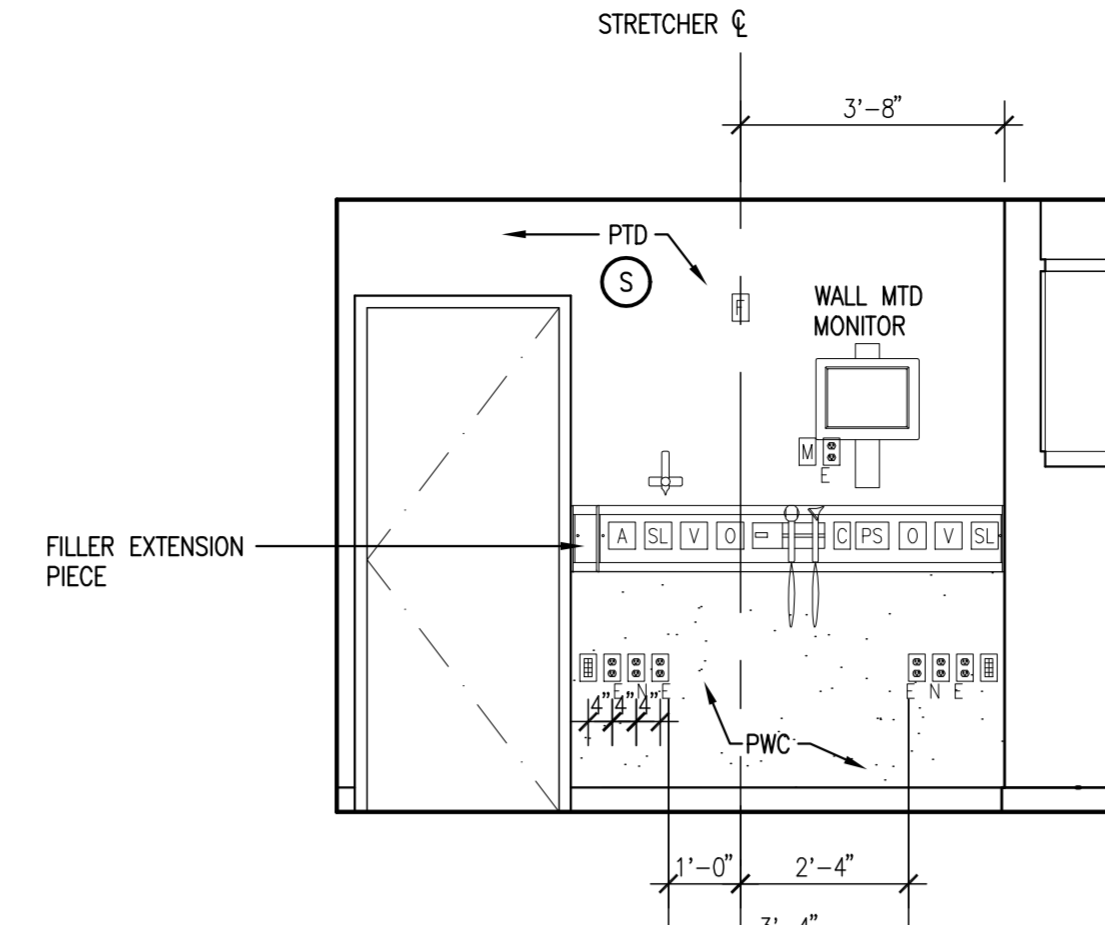
1 ACUTE CARE ISO EXAM B513-ER  
SCALE: 3/8" = 1'-0"



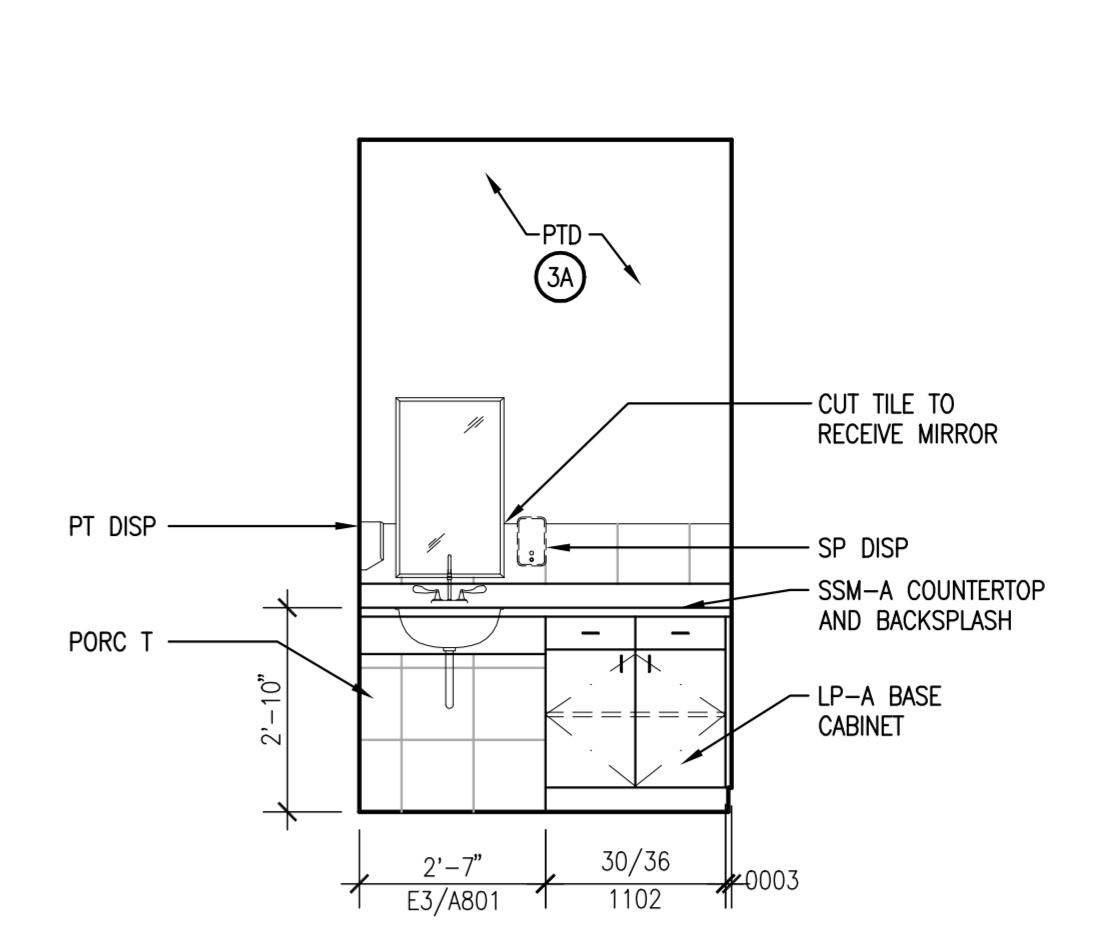
2 ACUTE CARE ANTE B512-ER  
SCALE: 3/8" = 1'-0"



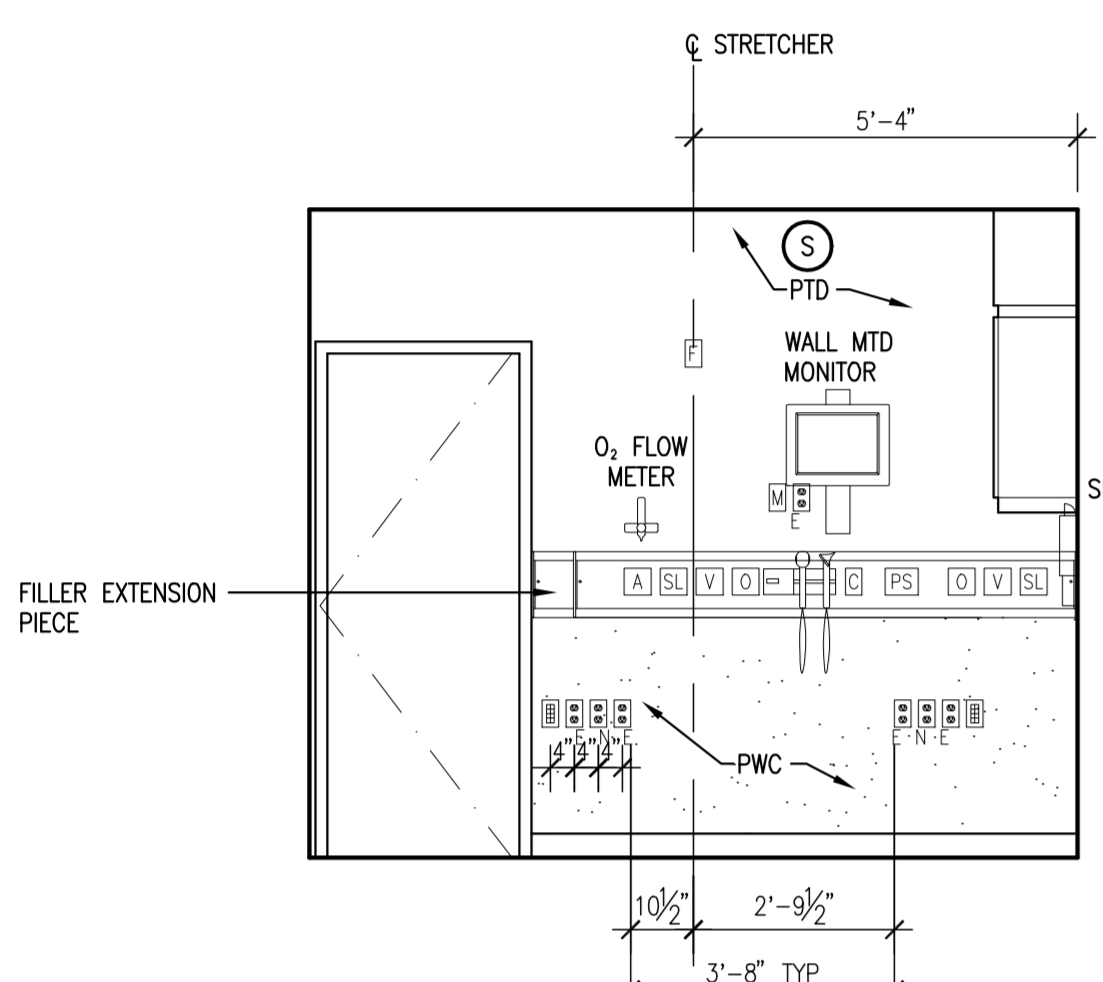
3 ACUTE CARE ISO EXAM B514-ER  
SCALE: 3/8" = 1'-0"



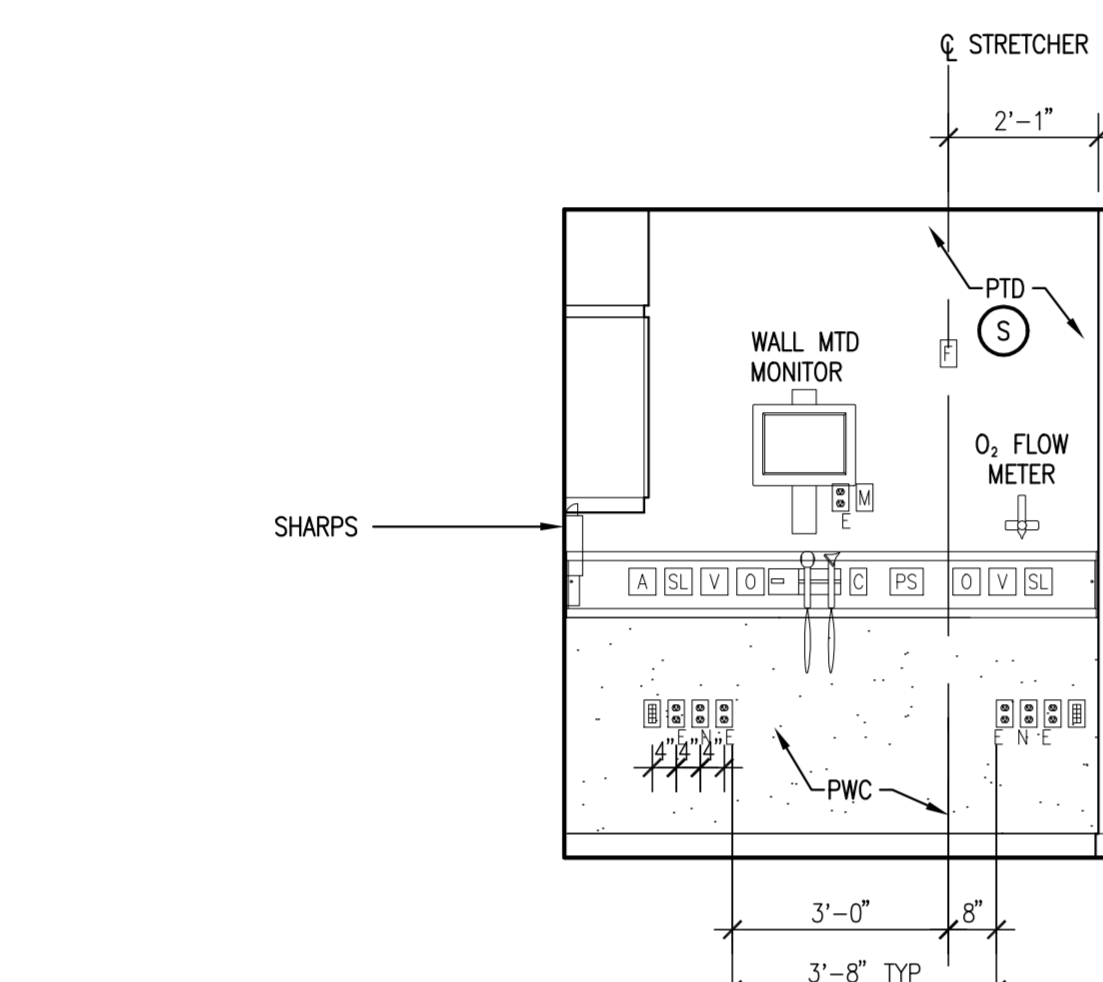
4 ACUTE CARE EXAM B515-ER  
SCALE: 3/8" = 1'-0"



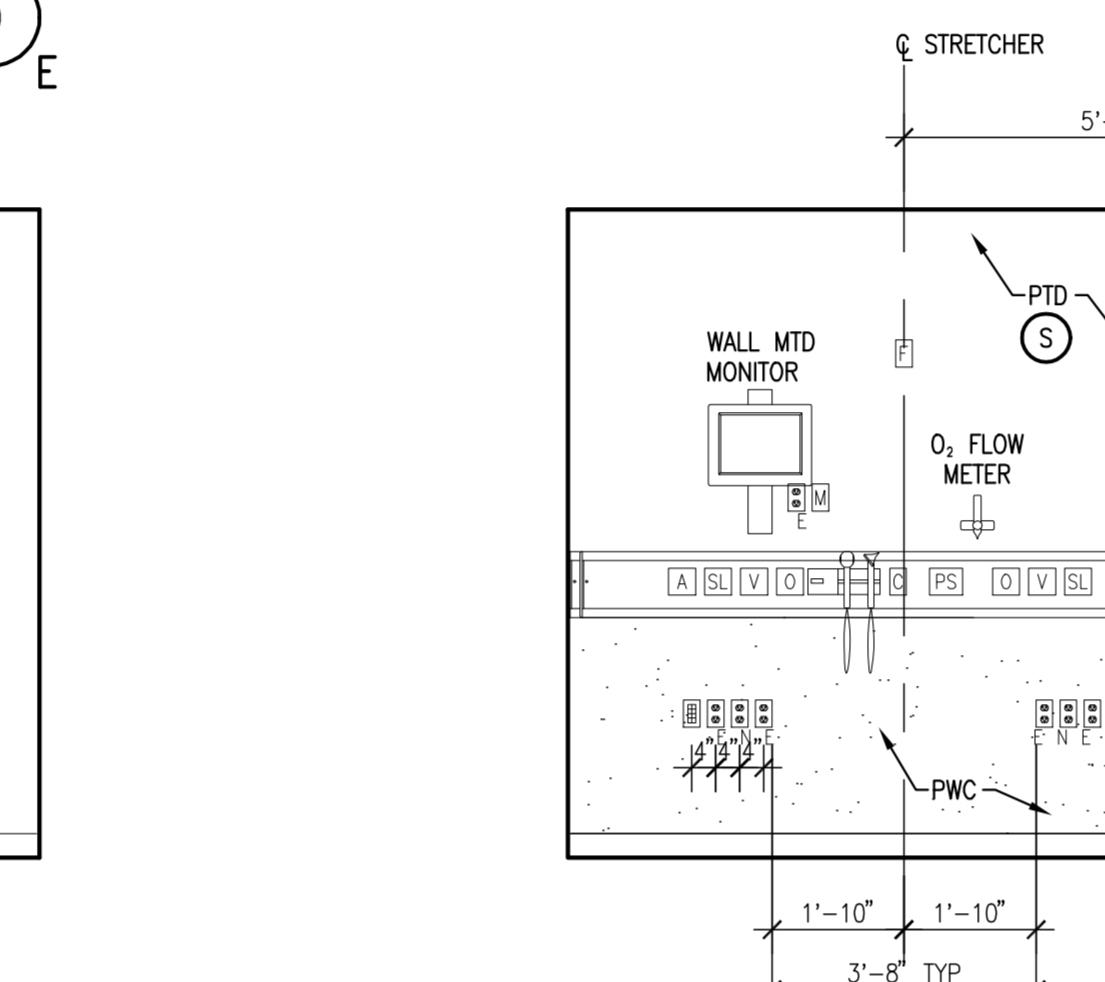
5 ACUTE CARE T PAT B518-ER  
SCALE: 3/8" = 1'-0"



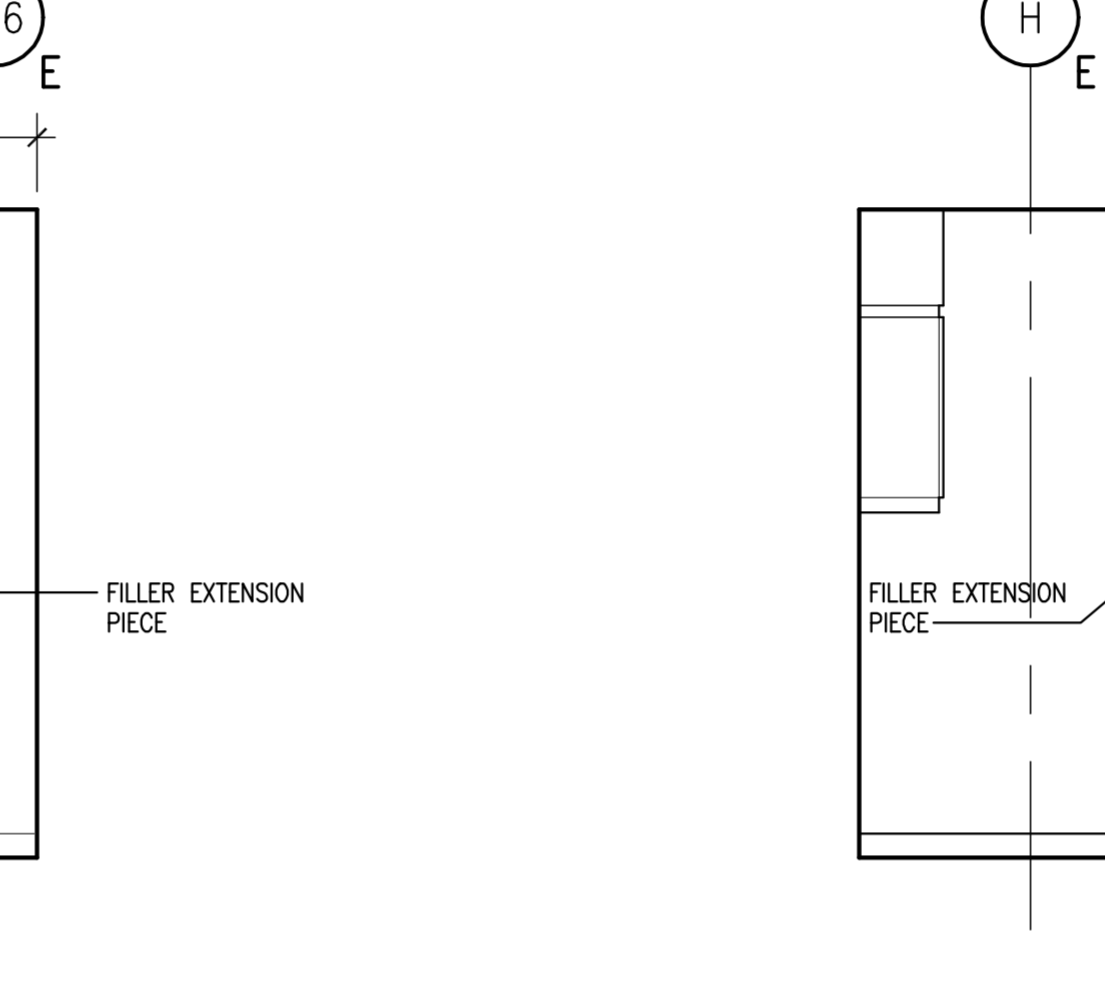
6 ACUTE CARE EXAM B517-ER  
SCALE: 3/8" = 1'-0"



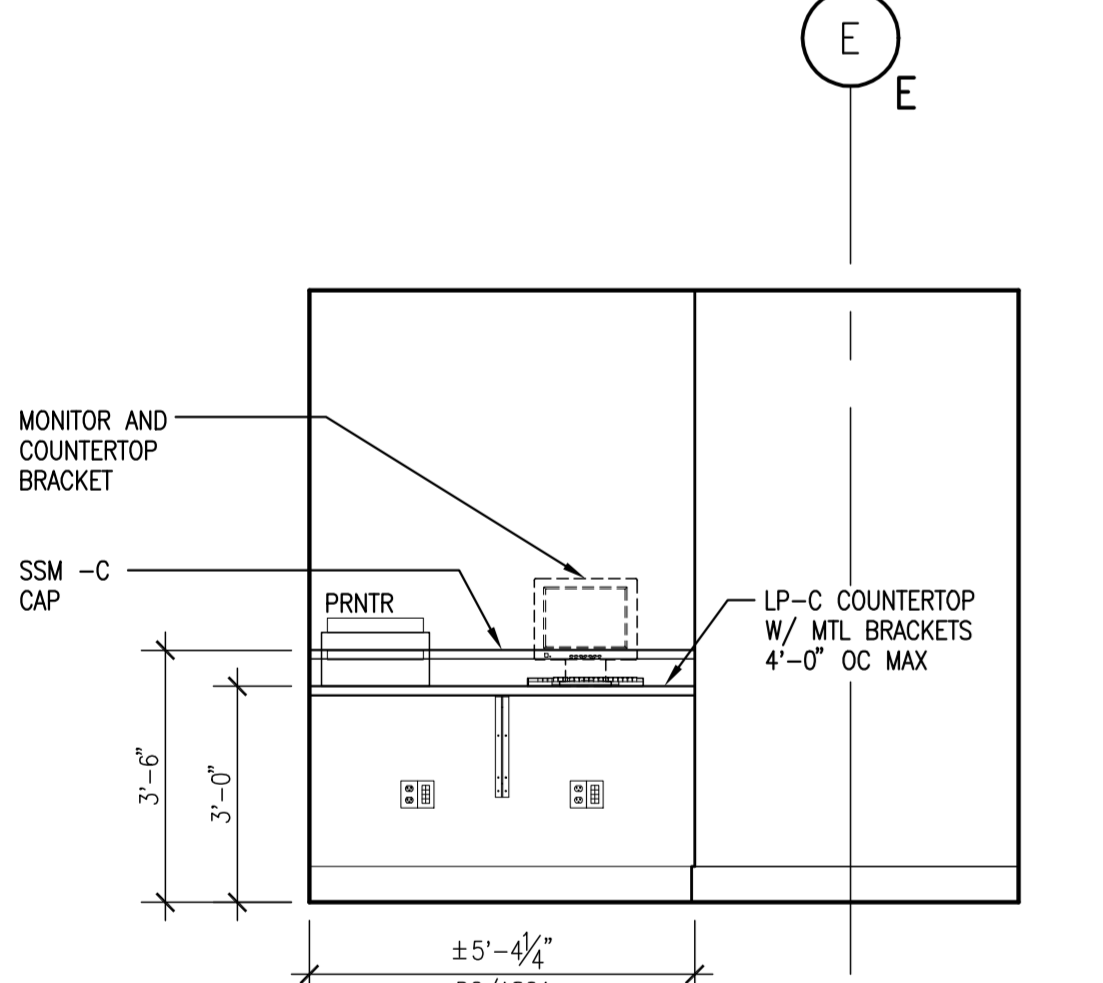
7 ACUTE CARE EXAM B563-ER  
SCALE: 3/8" = 1'-0"



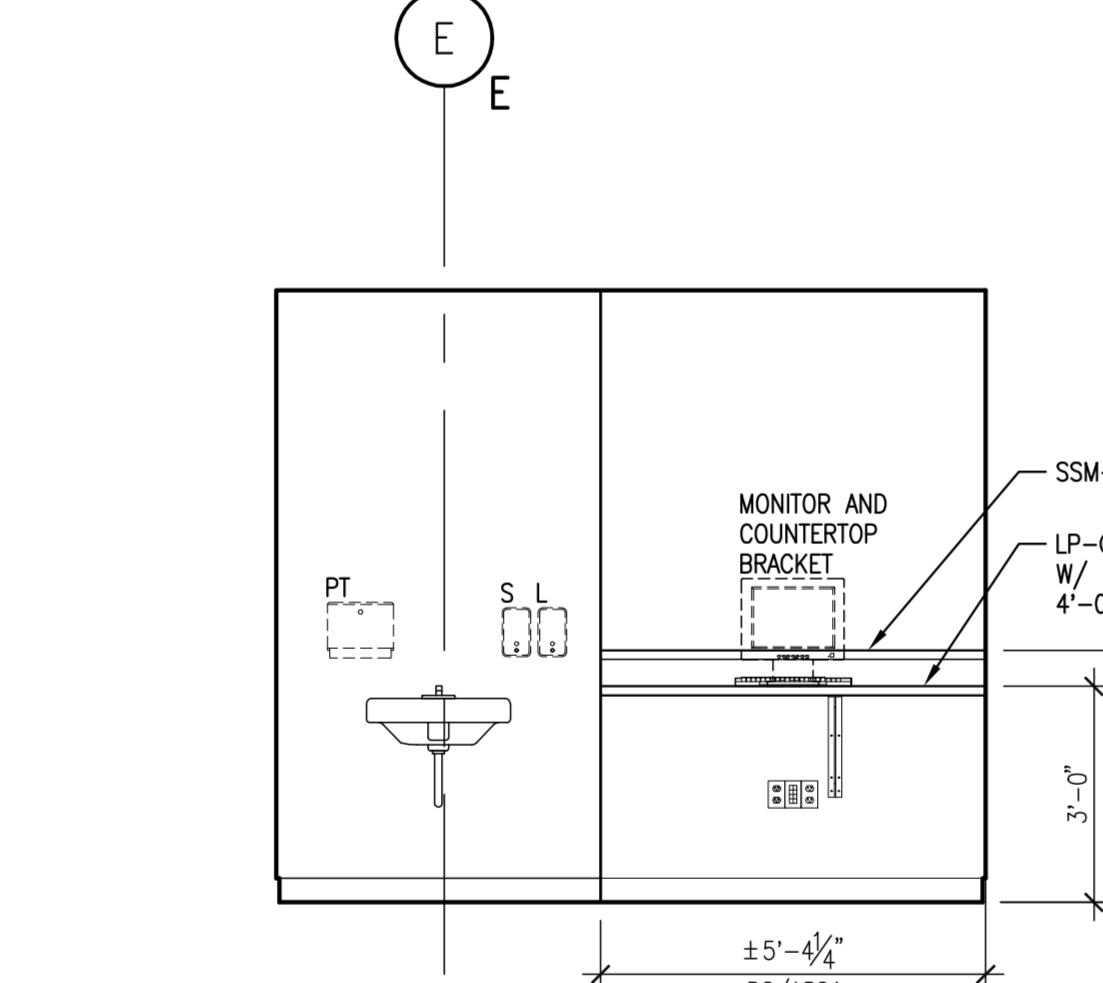
8 ACUTE CARE EXAM B546-ER  
SCALE: 3/8" = 1'-0"



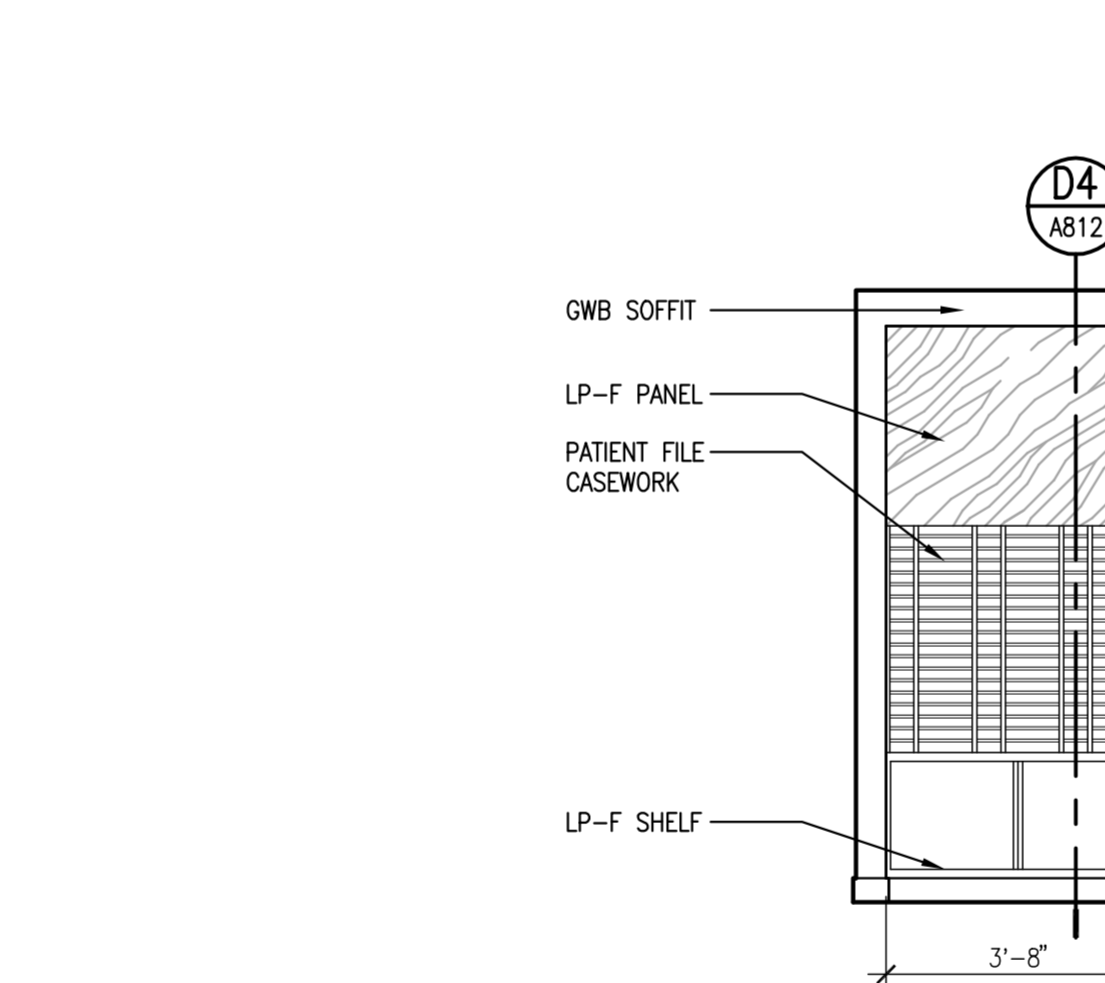
9 ACUTE CARE EXAM B547-ER  
SCALE: 3/8" = 1'-0"



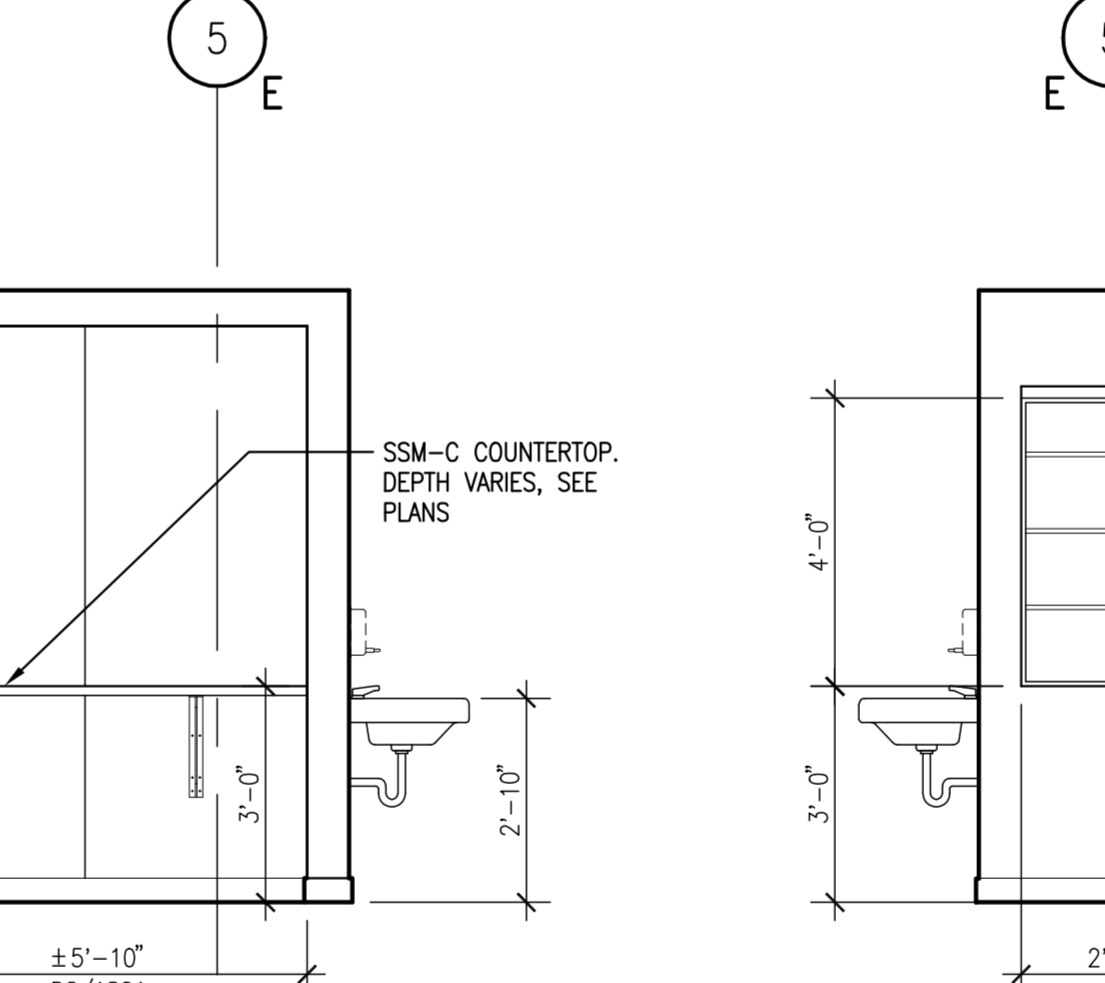
10 ACUTE CARE WK 562-ER  
SCALE: 3/8" = 1'-0"



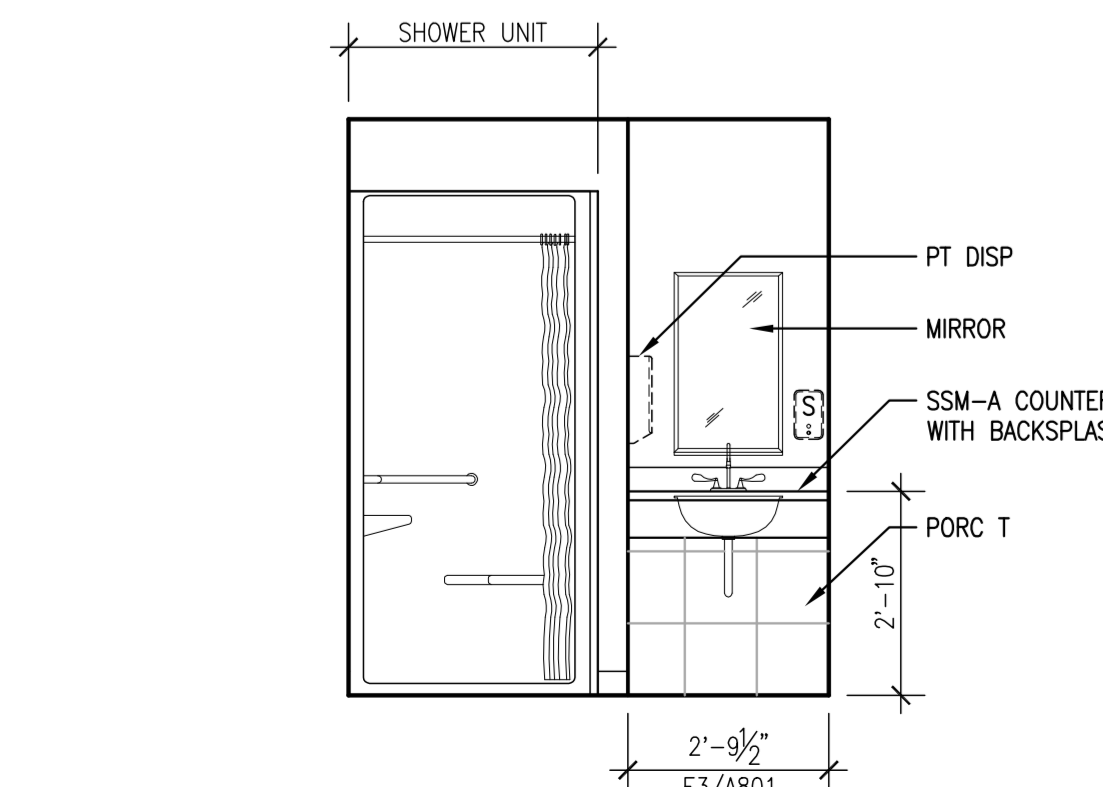
11 ACUTE CARE WK 559-ER  
SCALE: 3/8" = 1'-0"



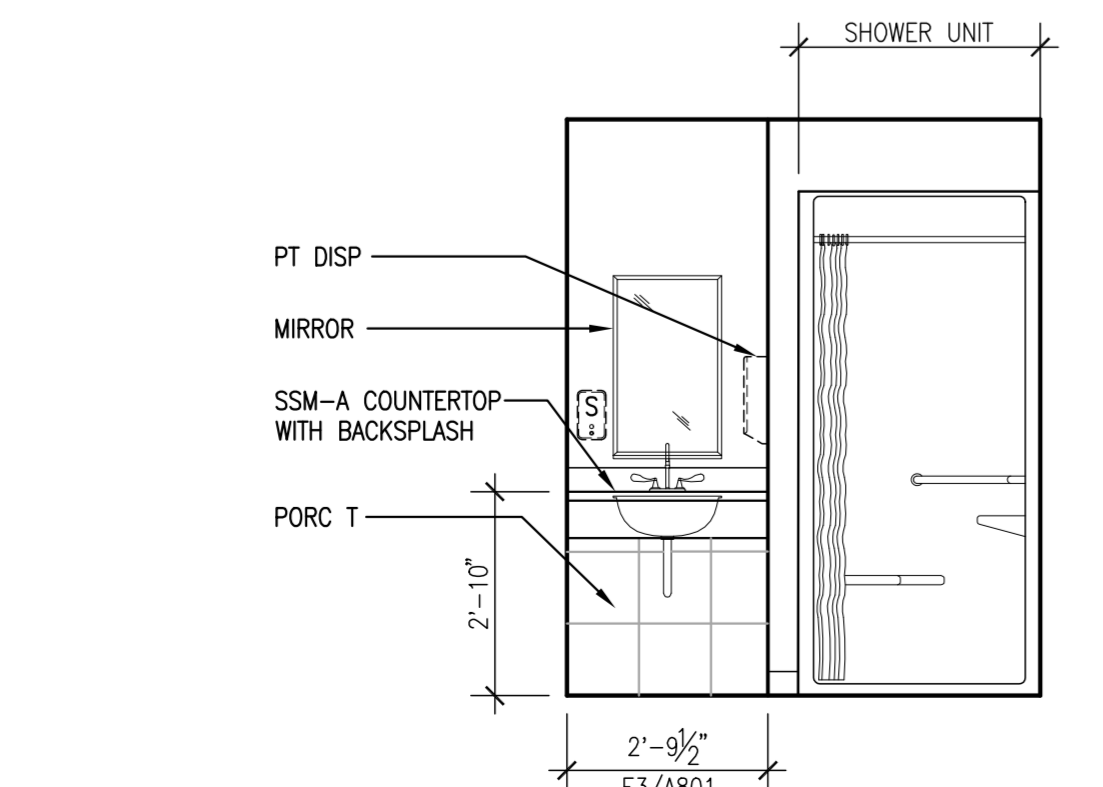
12 ACUTE CARE CORR 588-ER  
SCALE: 3/8" = 1'-0"



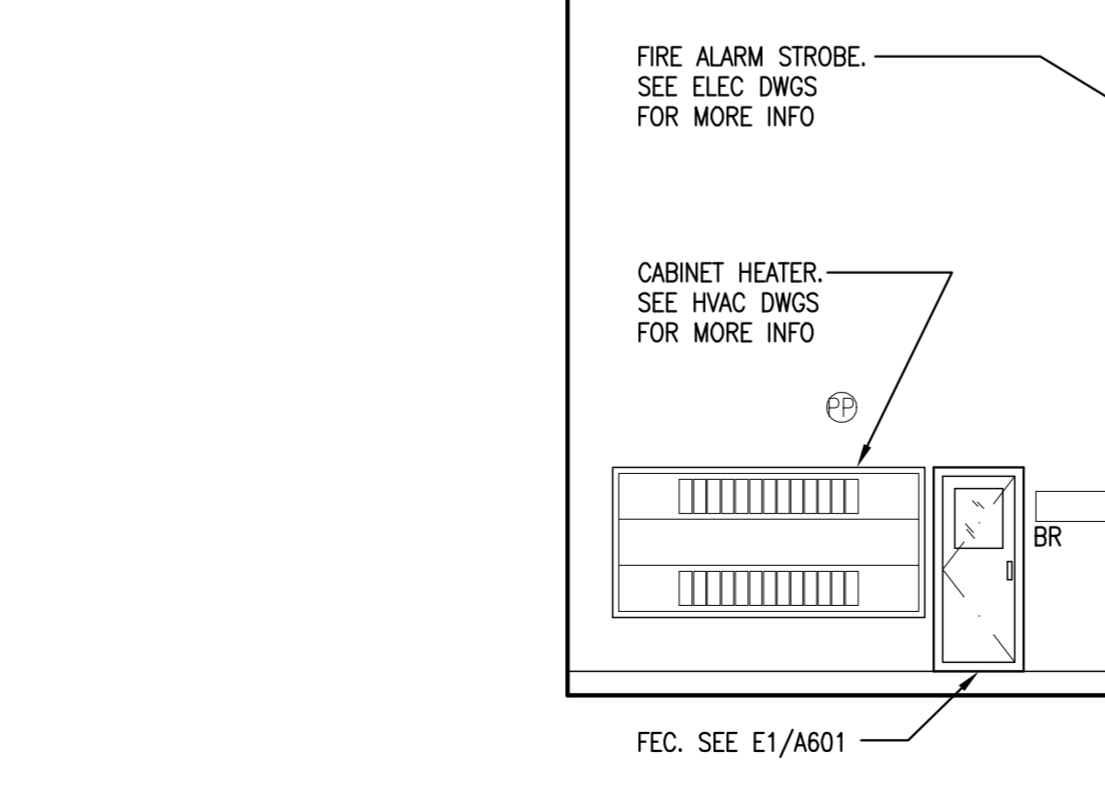
13 ACUTE CARE WK 559-ER  
SCALE: 3/8" = 1'-0"



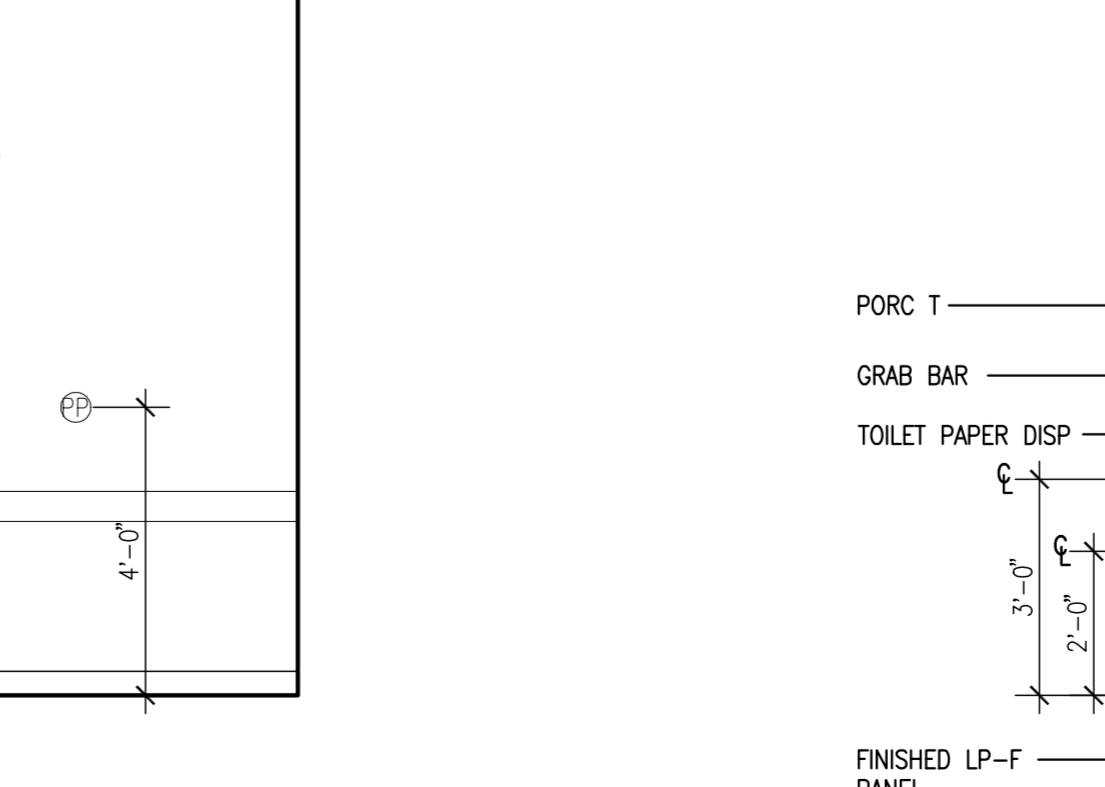
14 STAFF SUPPORT T STAFF B574-ER  
SCALE: 3/8" = 1'-0"



15 STAFF SUPPORT T STAFF B574-ER  
SCALE: 3/8" = 1'-0"



16 CCJ VEST B503-ER  
SCALE: 3/8" = 1'-0"



17 PUBLIC T PUB B006-ER  
SCALE: 3/8" = 1'-0"