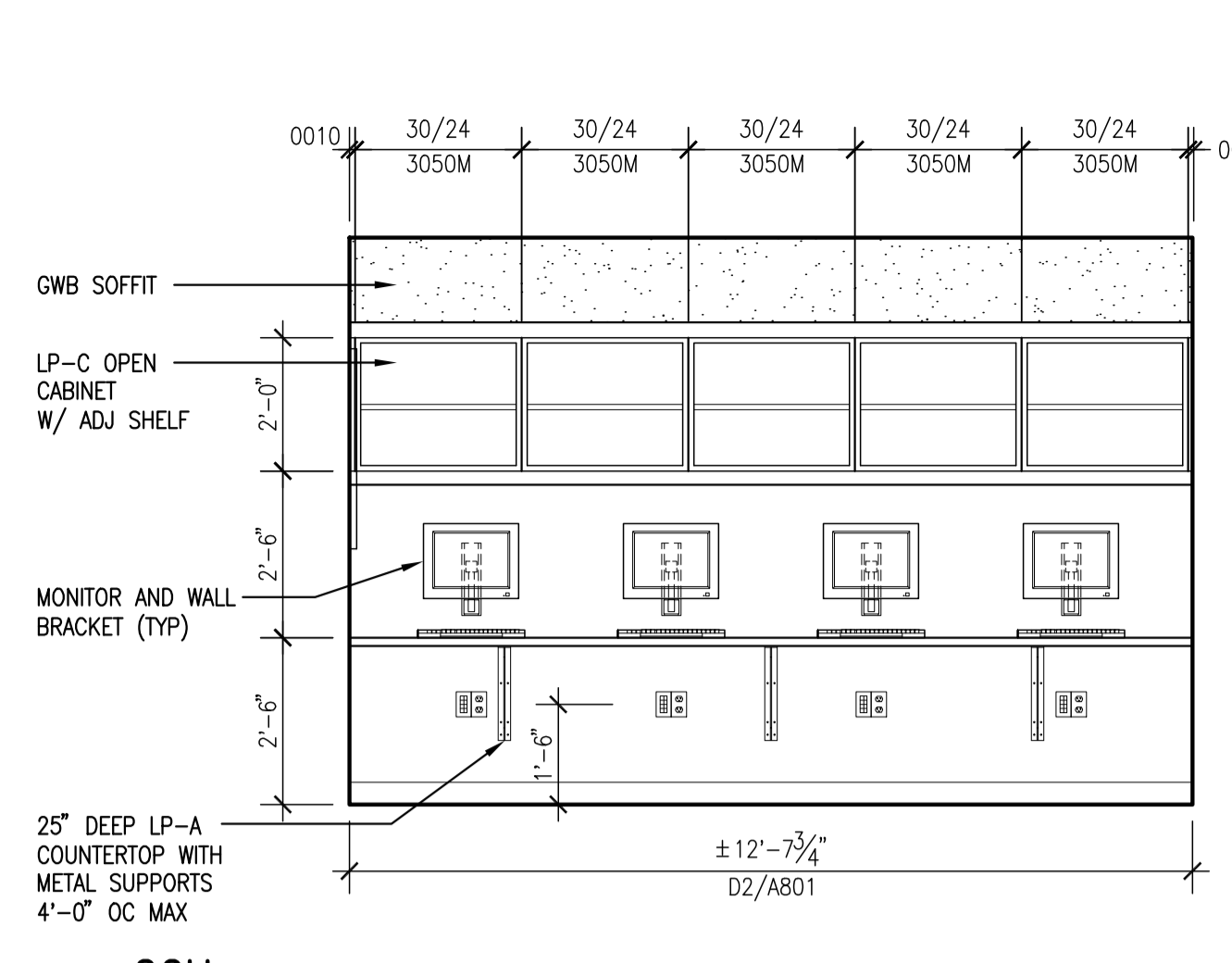


1 CCU PASS B602-ER
SCALE: 3/8\"/>



2 CCU WKRM B511-ER
SCALE: 3/8\"/>

3 NOT USED
SCALE: 3/8\"/>

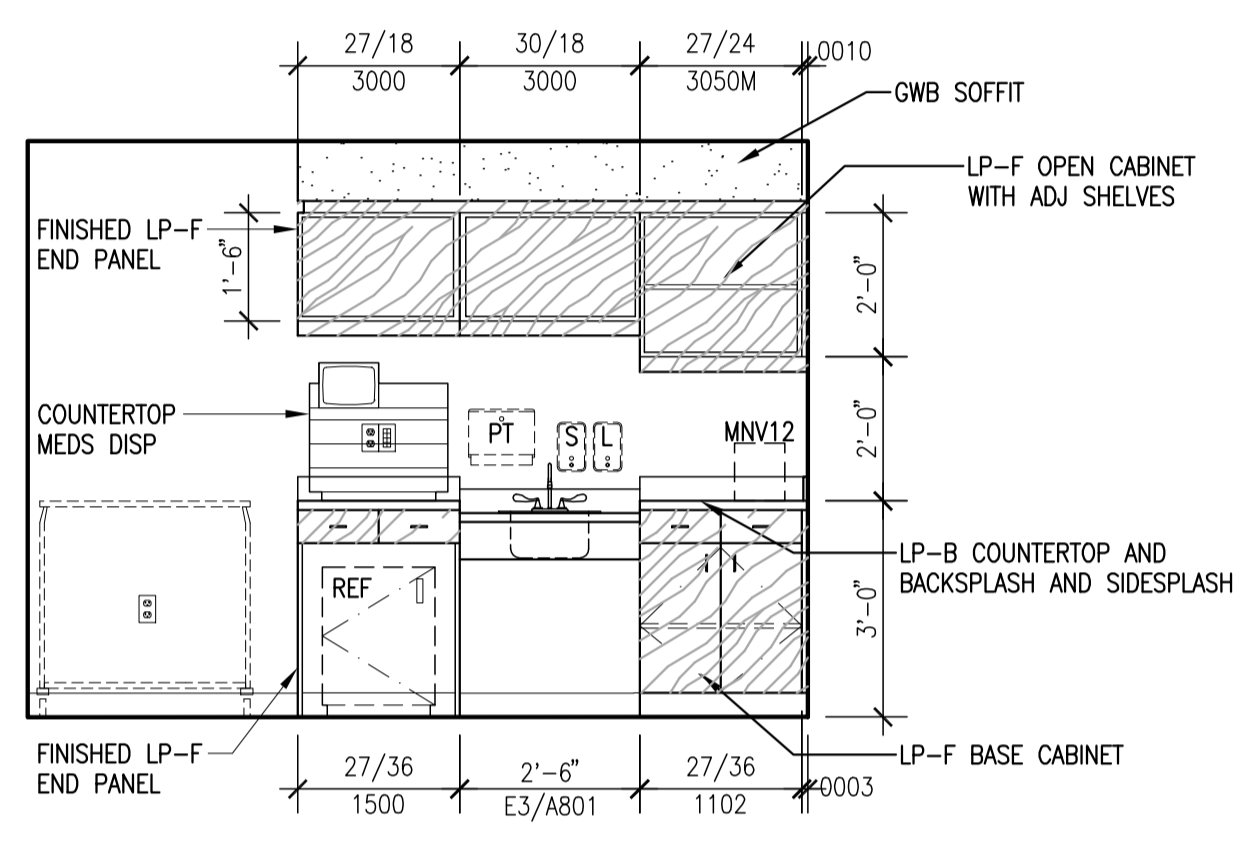
General Notes:

1. PROVIDE END PANELS WHERE CASEWORK DOES NOT ABUT WALL. -SEE DETAIL AX/AXXX
2. PROVIDE 1-1/2\"/>

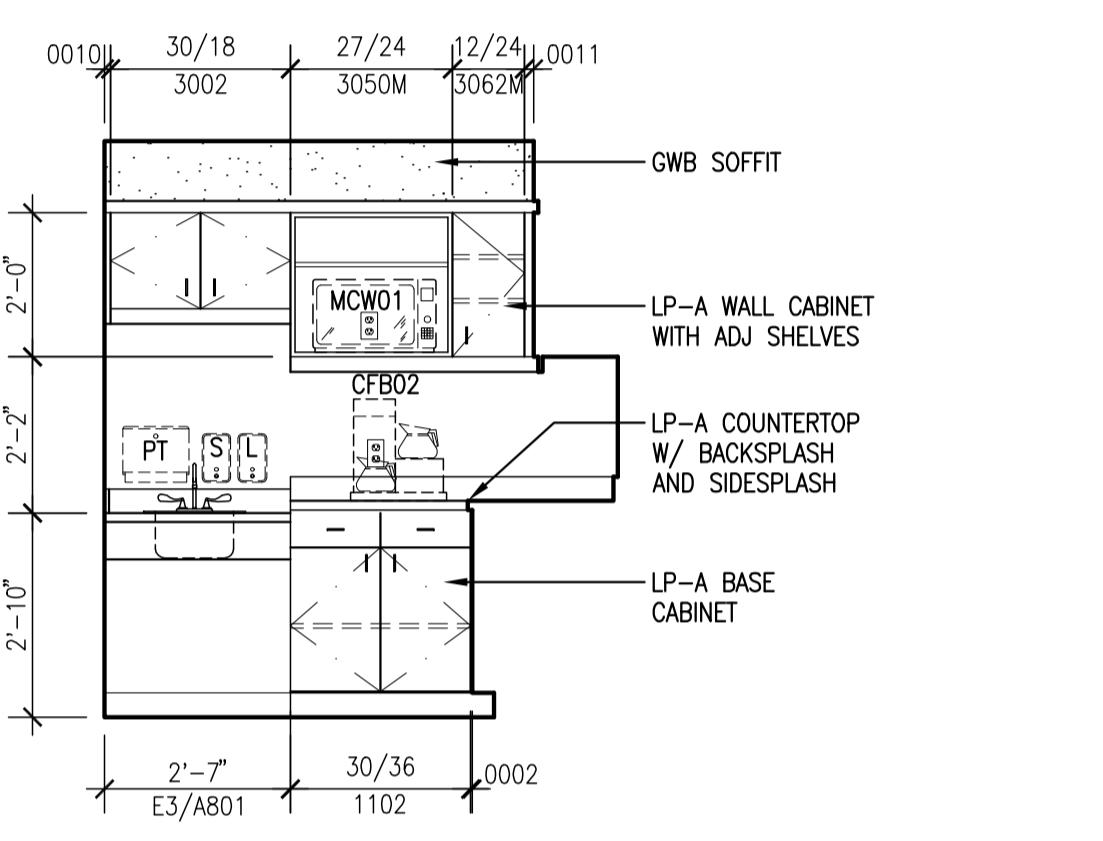
SYMBOL LEGEND

□	HOOK	COMPONENTS ON EACH BOOM (4 TYP)
□	TV CONNECTION	1 - SURGICAL LIGHT
□	MONITOR CONNECTION	4 - VACUUM
□	LIGHT SWITCH	4 - OXYGEN
□	SURGICAL LIGHT SWITCH	4 - SLIDES
□	VACUUM	2 - MEDICAL AIR
□	OXYGEN	4 - RECEPTACLES (NORMAL)
□	MEDICAL AIR	6 - RECEPTACLES (EMER)
□	STAFF ASSIST/CODE	2 - TEL/DATA
□	BLUE DUPLEX - EMER	MONITOR ON BRACKET WITH POWER AND MONITOR CONNECTION
□	DUPLEX - NORM	GLOVE BOX (5)
□	PATIENT STATION	SHARPS CONTAINER
□	STAFF REG	
□	FIRE AUX MOD	
□	WALL PHONE	
□	OTO/OPHTHALMOSCOPE	

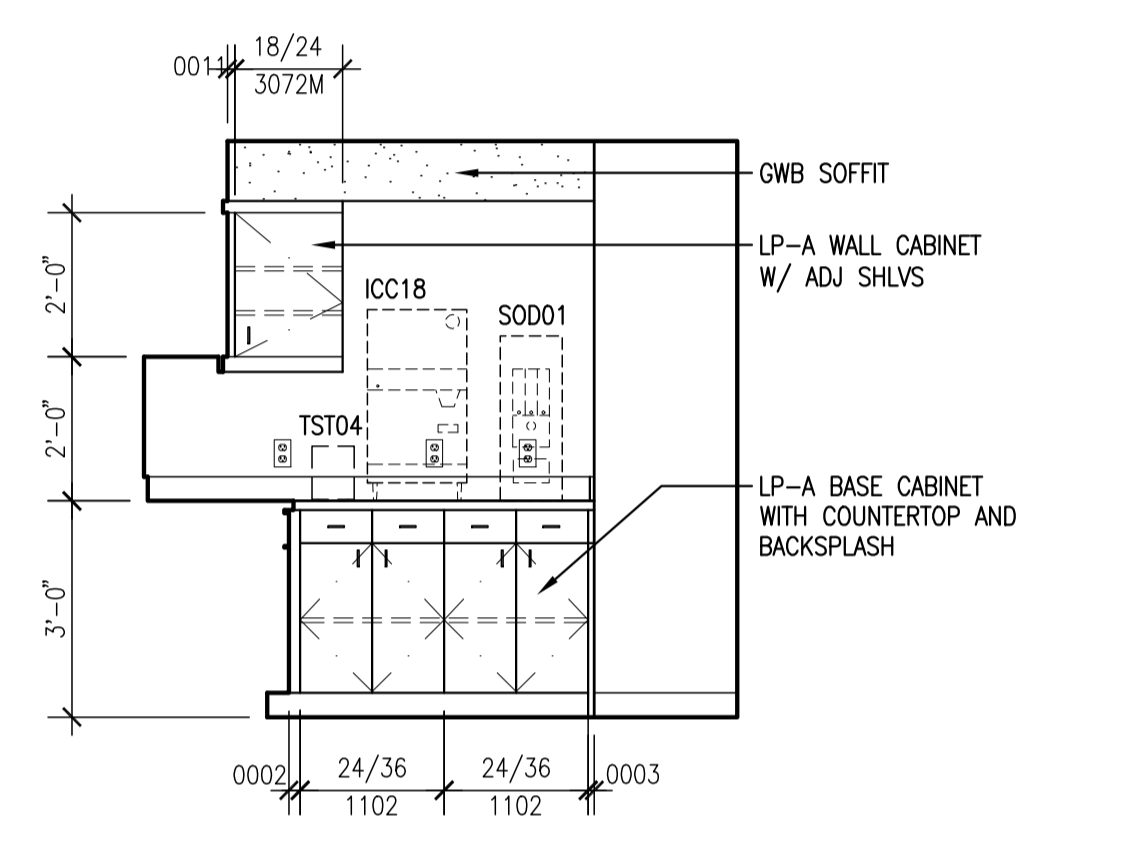
4 NOT USED
SCALE: 3/8\"/>



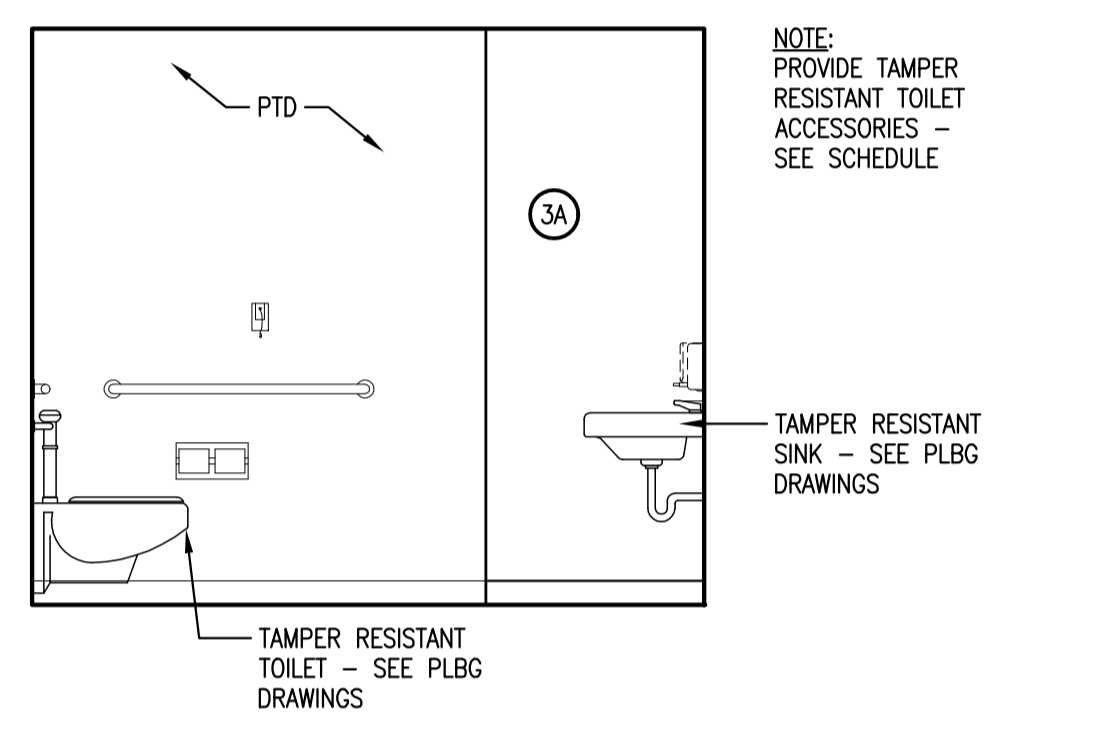
5 PYSCH SPLY B611-ER
SCALE: 3/8\"/>



6 PYSCH NOUR B610-ER
SCALE: 3/8\"/>



7 PYSCH NOUR B610-ER
SCALE: 3/8\"/>



8 PYSCH T PAT B614-ER
SCALE: 3/8\"/>

General Notes:

9. SEE ELECTRICAL DRAWINGS FOR ADDITIONAL LIGHT

SYMBOL LEGEND

□	HOOK	COMPONENTS ON EACH BOOM (4 TYP)
□	TV CONNECTION	1 - SURGICAL LIGHT
□	MONITOR CONNECTION	4 - VACUUM
□	LIGHT SWITCH	4 - OXYGEN
□	SURGICAL LIGHT SWITCH	4 - SLIDES
□	VACUUM	2 - MEDICAL AIR
□	OXYGEN	4 - RECEPTACLES (NORMAL)
□	MEDICAL AIR	6 - RECEPTACLES (EMER)
□	STAFF ASSIST/CODE	2 - TEL/DATA
□	BLUE DUPLEX - EMER	MONITOR ON BRACKET WITH POWER AND MONITOR CONNECTION
□	DUPLEX - NORM	GLOVE BOX (5)
□	PATIENT STATION	SHARPS CONTAINER
□	STAFF REG	
□	FIRE AUX MOD	
□	WALL PHONE	
□	OTO/OPHTHALMOSCOPE	

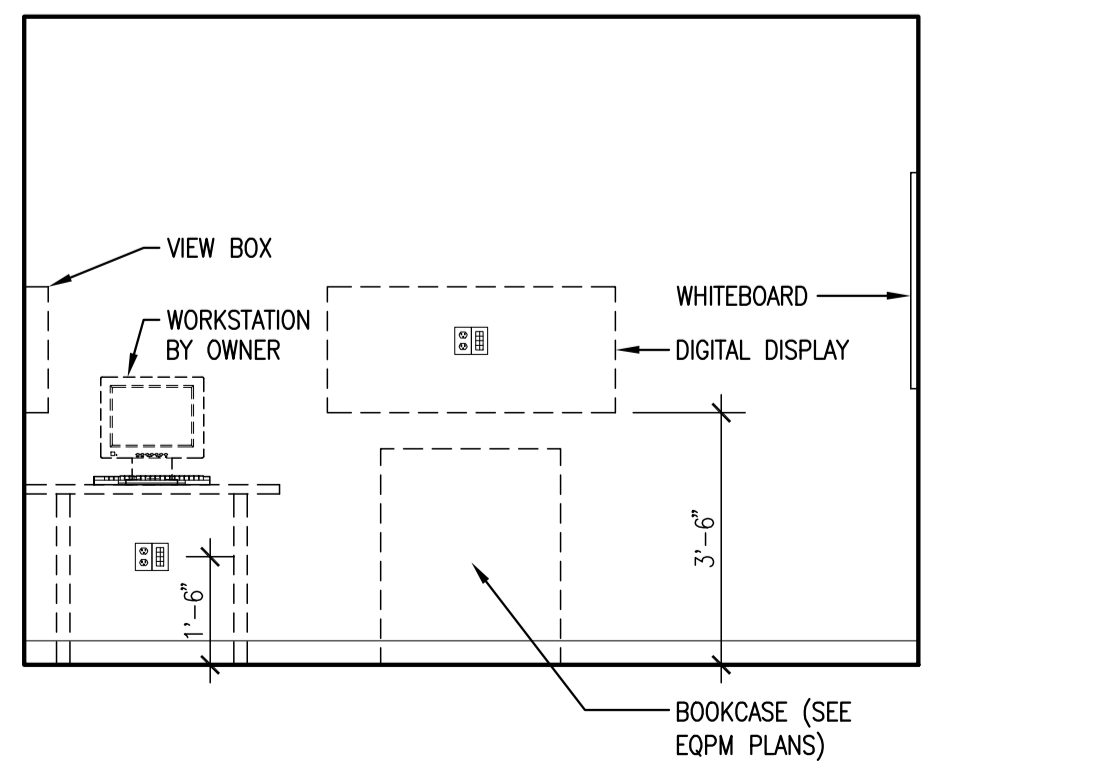
9 PYSCH T PAT B614-ER
SCALE: 3/8\"/>

10 PYSCH T PAT B614-ER
SCALE: 3/8\"/>

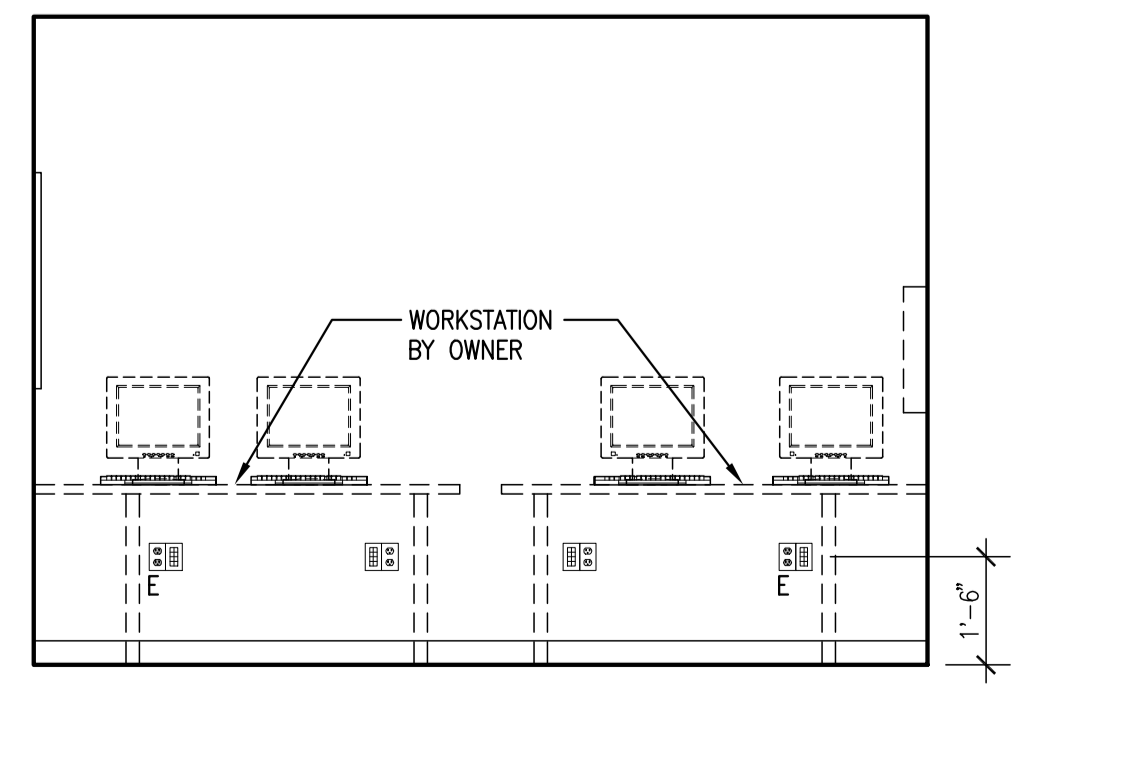
11 PYSCH T PAT B614-ER
SCALE: 3/8\"/>

12 NOT USED
SCALE: 3/8\"/>

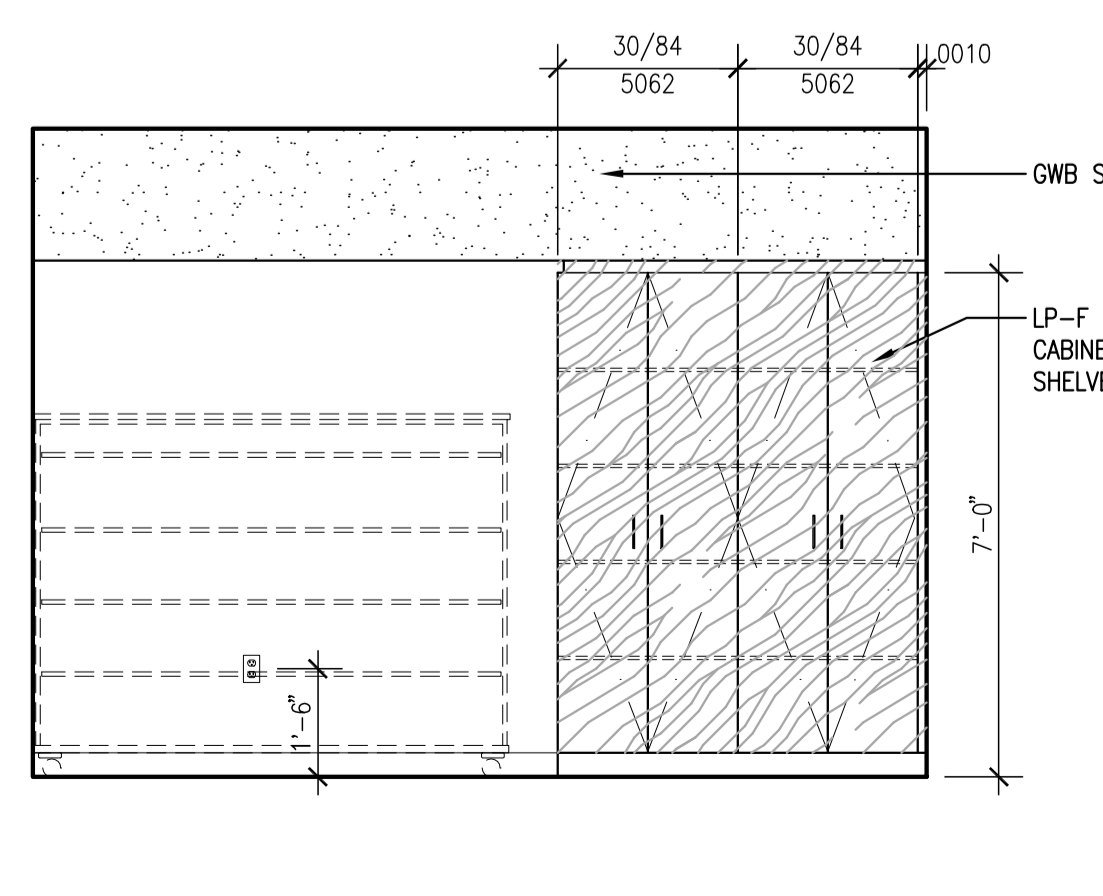
13 IMAGING READ B411-ER
SCALE: 3/8\"/>



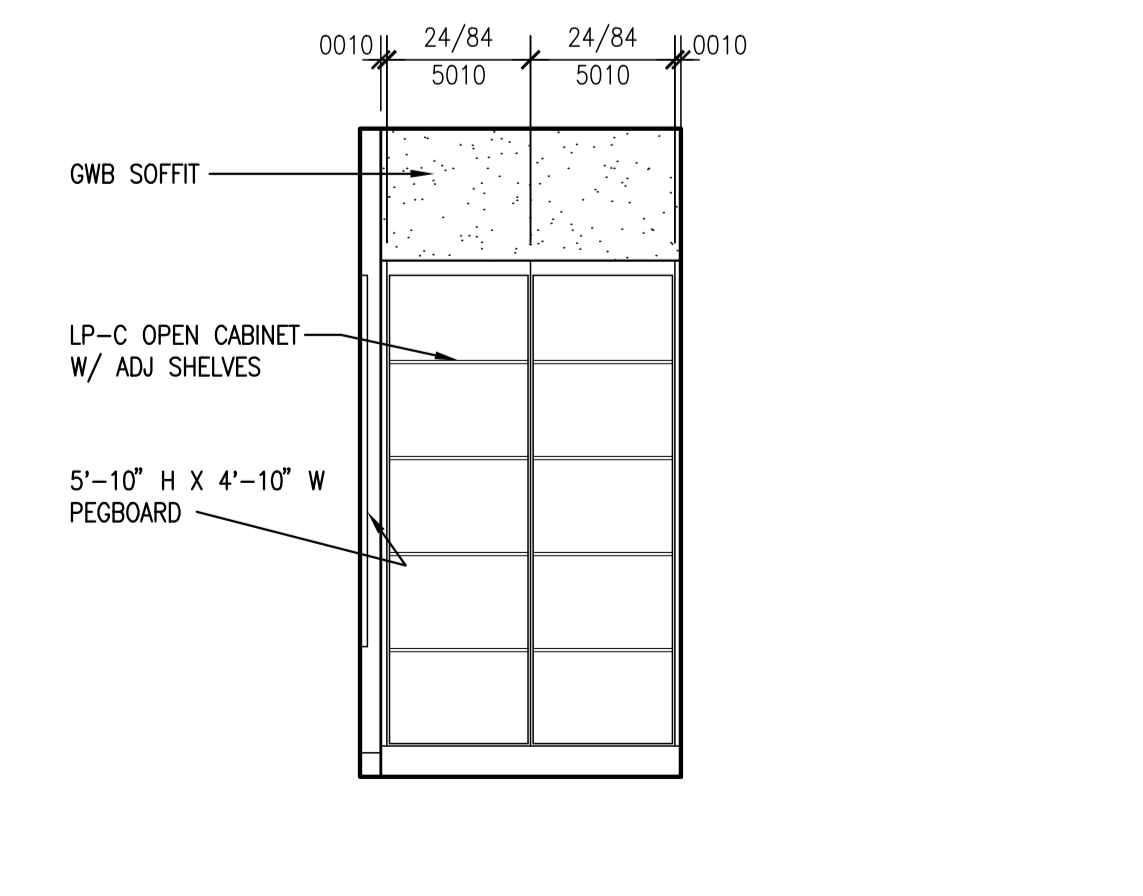
14 IMAGING READ B413-ER
SCALE: 3/8\"/>



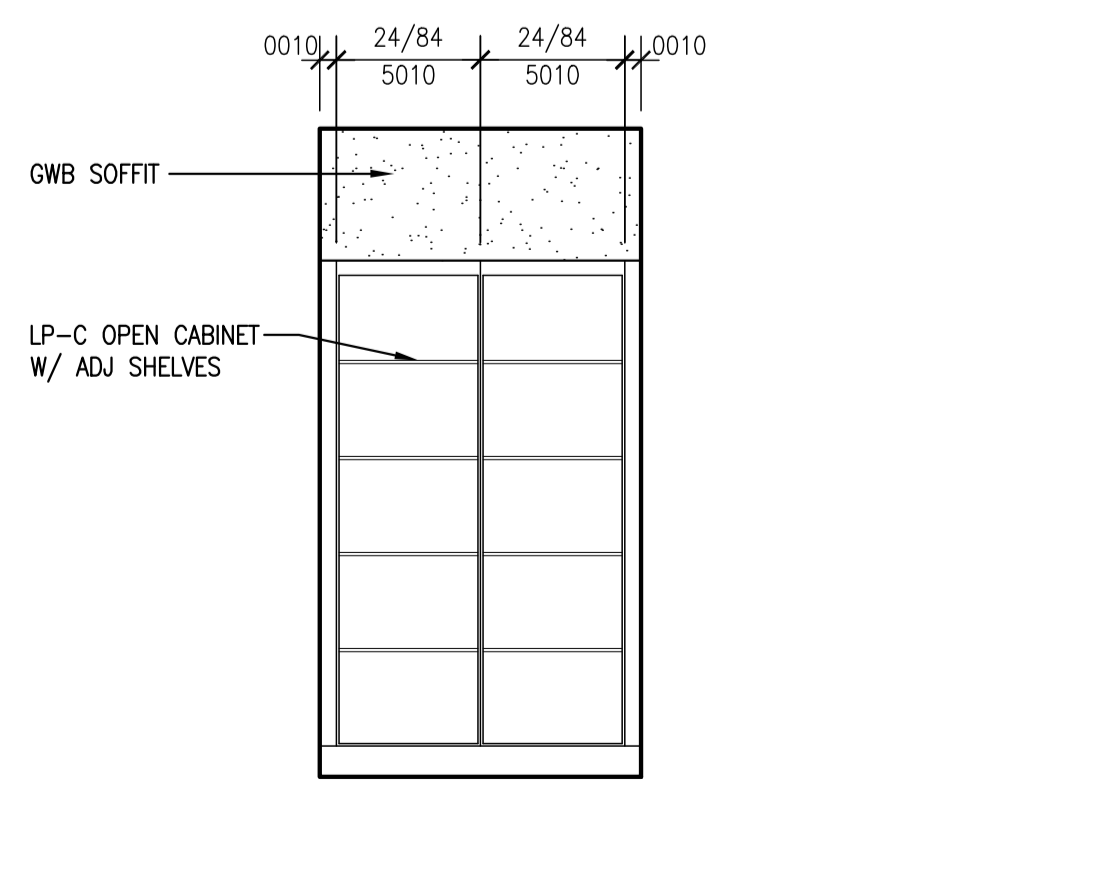
15 IMAGING READ B413-ER
SCALE: 3/8\"/>



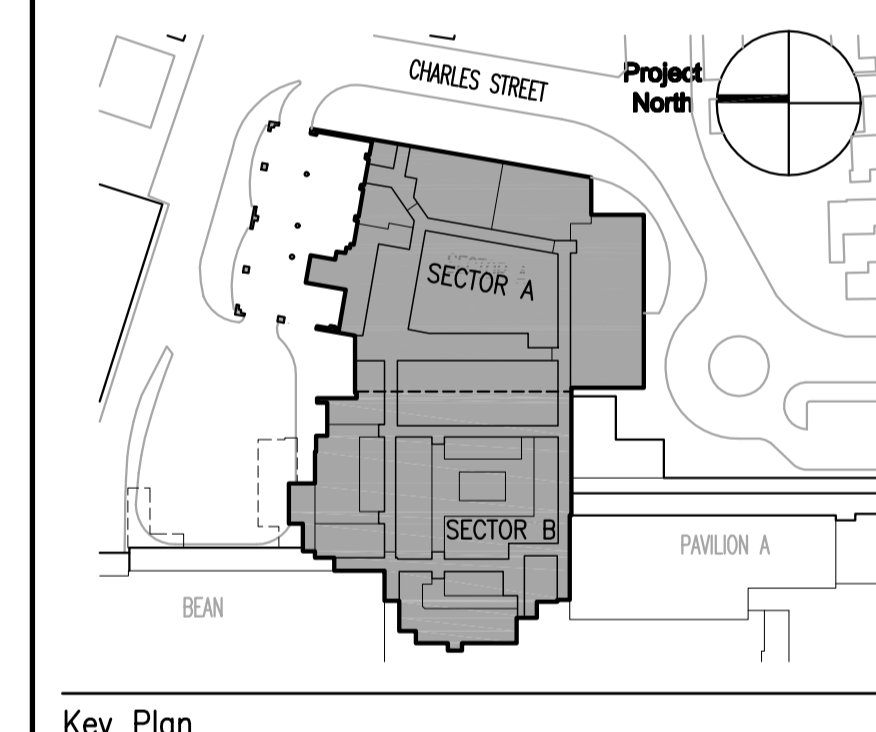
16 IMAGING PASS B417-ER
SCALE: 3/8\"/>



17 IMAGING ST B425-ER
SCALE: 3/8\"/>



18 IMAGING ST B425-ER
SCALE: 3/8\"/>



TRO Jung|Brannen

ARCHITECTURE INTERIOR DESIGN ENGINEERING MASTER PLANNING

22 Boston Wharf Road, Boston, Massachusetts 02210
Tel 617.502.8400 Fax 617.502.3402 www.trojungbrannen.com

Maine Medical Center
ED Expansion and Renovation
Portland, Maine MMC Project No. 21843

Drawing Title
INTERIOR ELEVATIONS NO. 8

Drawn By	KFEC	Commission No.	4696
Approved By	AF	Date Issued	12/14/07

Phase / Package Number _____ Sheet Number _____

A708

Copyright © 2007 TRO Jung|Brannen P:\Maine Medical\4696-Emrg-4696A708.08