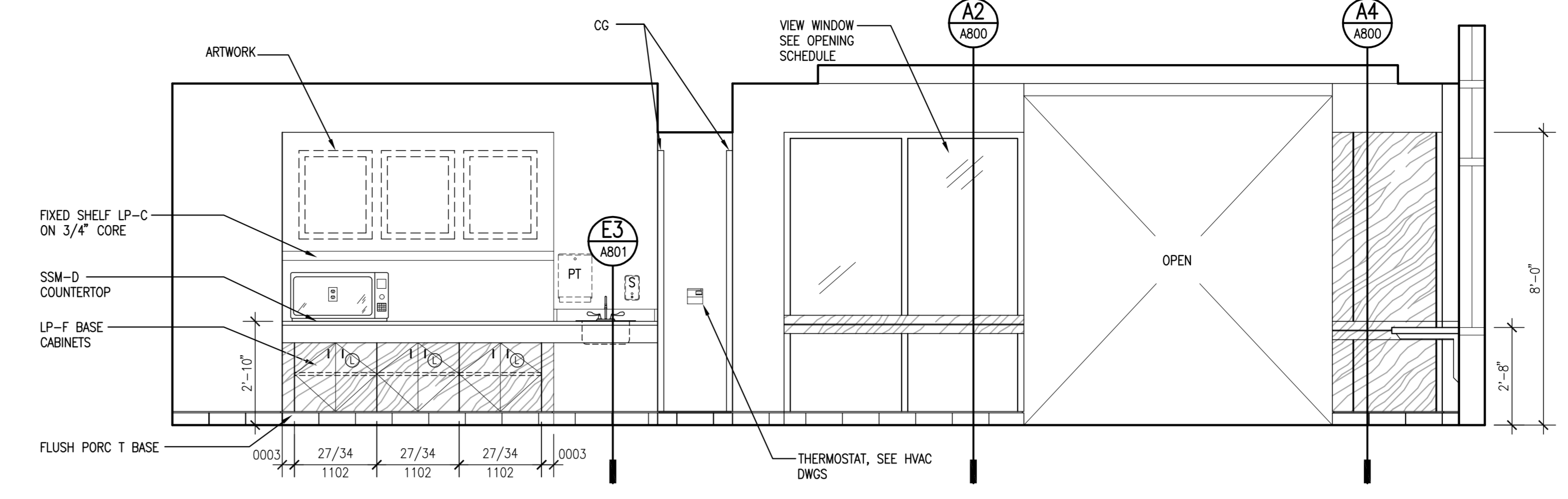
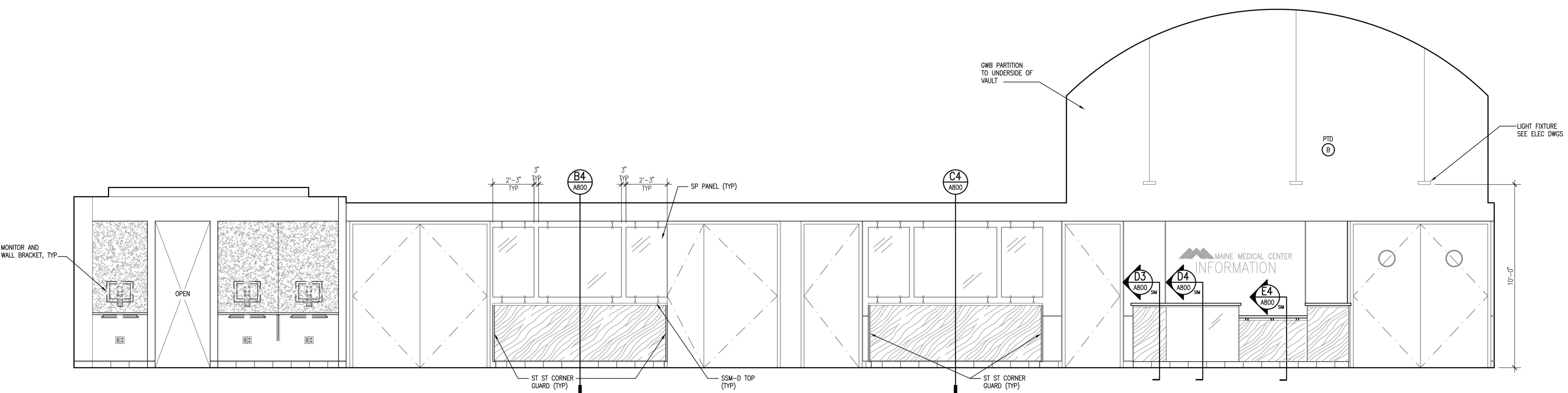


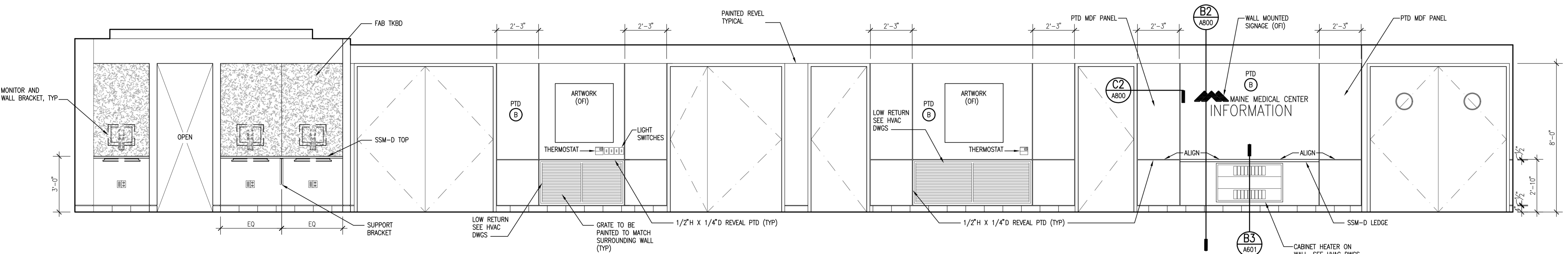
1 CAFE/VENDING
SCALE: 3/8" = 1'-0"



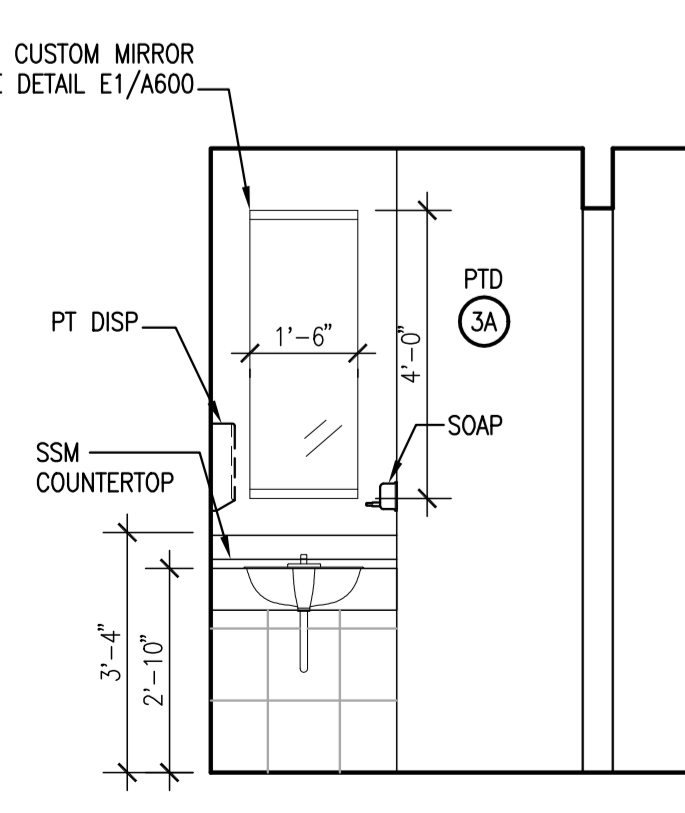
2 CAFE/VENDING
SCALE: 3/8" = 1'-0"



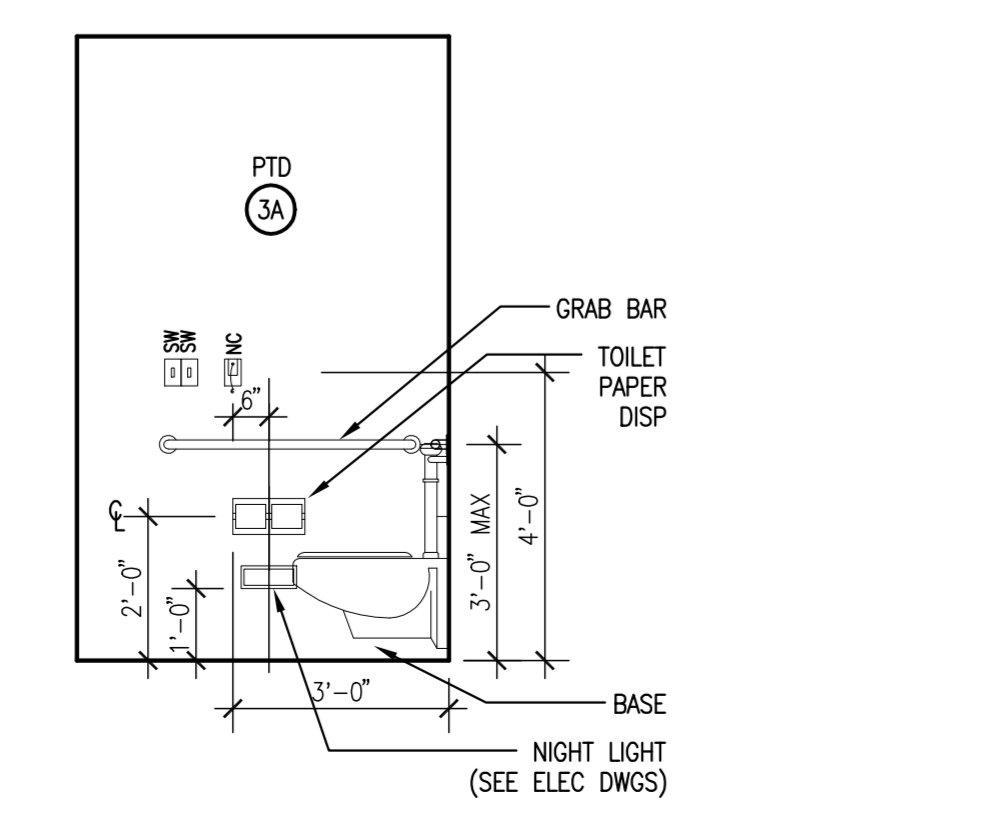
3 LOBBY
SCALE: 3/8" = 1'-0"



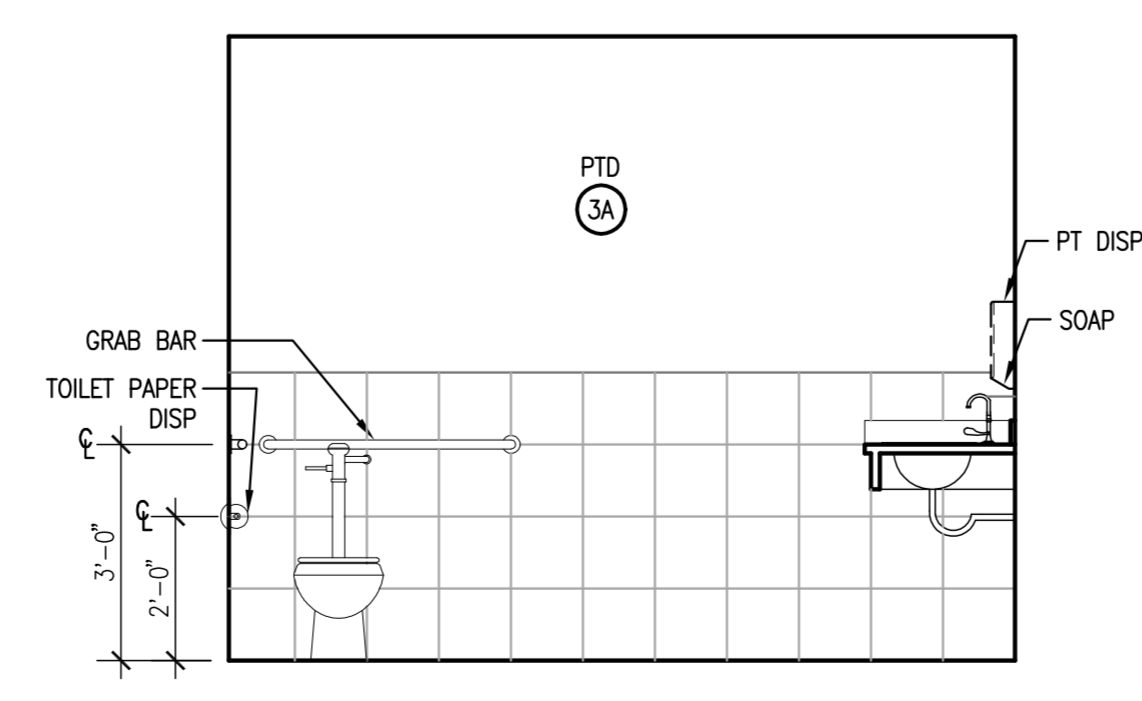
4 LOBBY
SCALE: 3/8" = 1'-0"



5 PUBLIC HANDICAP ACCESSIBLE TOILET B015-ER
SCALE: 3/8" = 1'-0"

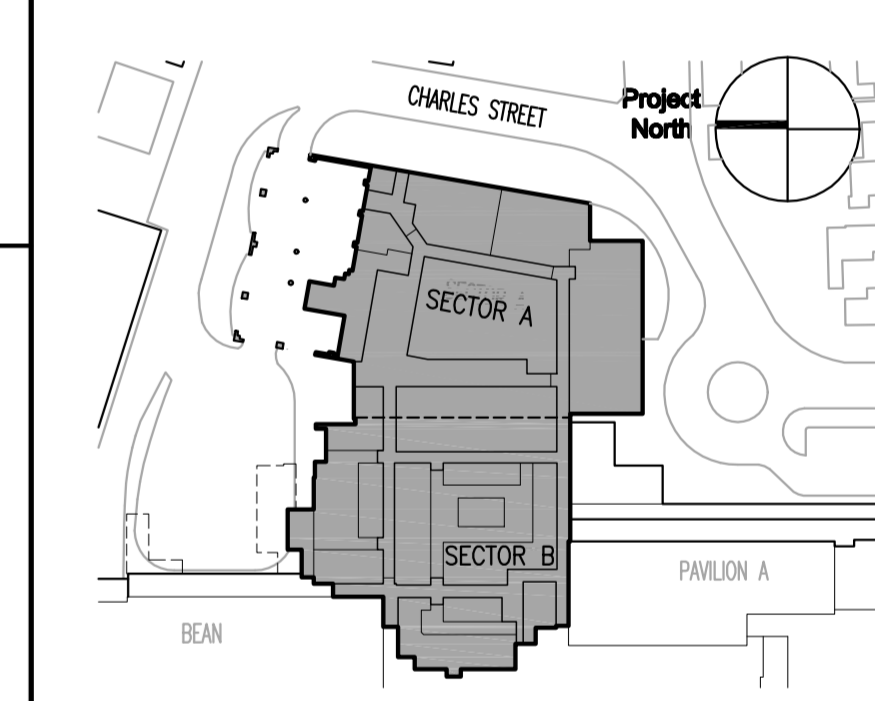


6 PUBLIC HANDICAP ACCESSIBLE TOILET B015-ER
SCALE: 3/8" = 1'-0"



7 PUBLIC HANDICAP ACCESSIBLE TOILET B016-ER
SCALE: 3/8" = 1'-0"

MARK	ISSUE DATE	DESCRIPTION
BID	12/14/07	BID SET
Issue Log		



TRO Jung|Brannen
 ARCHITECTURE INTERIOR DESIGN ENGINEERING MASTER PLANNING
 22 Boston Wharf Road, Boston, Massachusetts 02210
 Tel 617.502.8400 Fax 617.502.3402 www.trojungbrannen.com

Maine Medical Center
 ED Expansion and Renovation
 Portland, Maine MMC Project No. 21843

Drawing Title
INTERIOR ELEVATIONS NO. 2

Drawn By	AD	Commission No.	4696
Approved By	AF	Date Issued	12/14/07

Phase / Package Number	Sheet Number
	A702