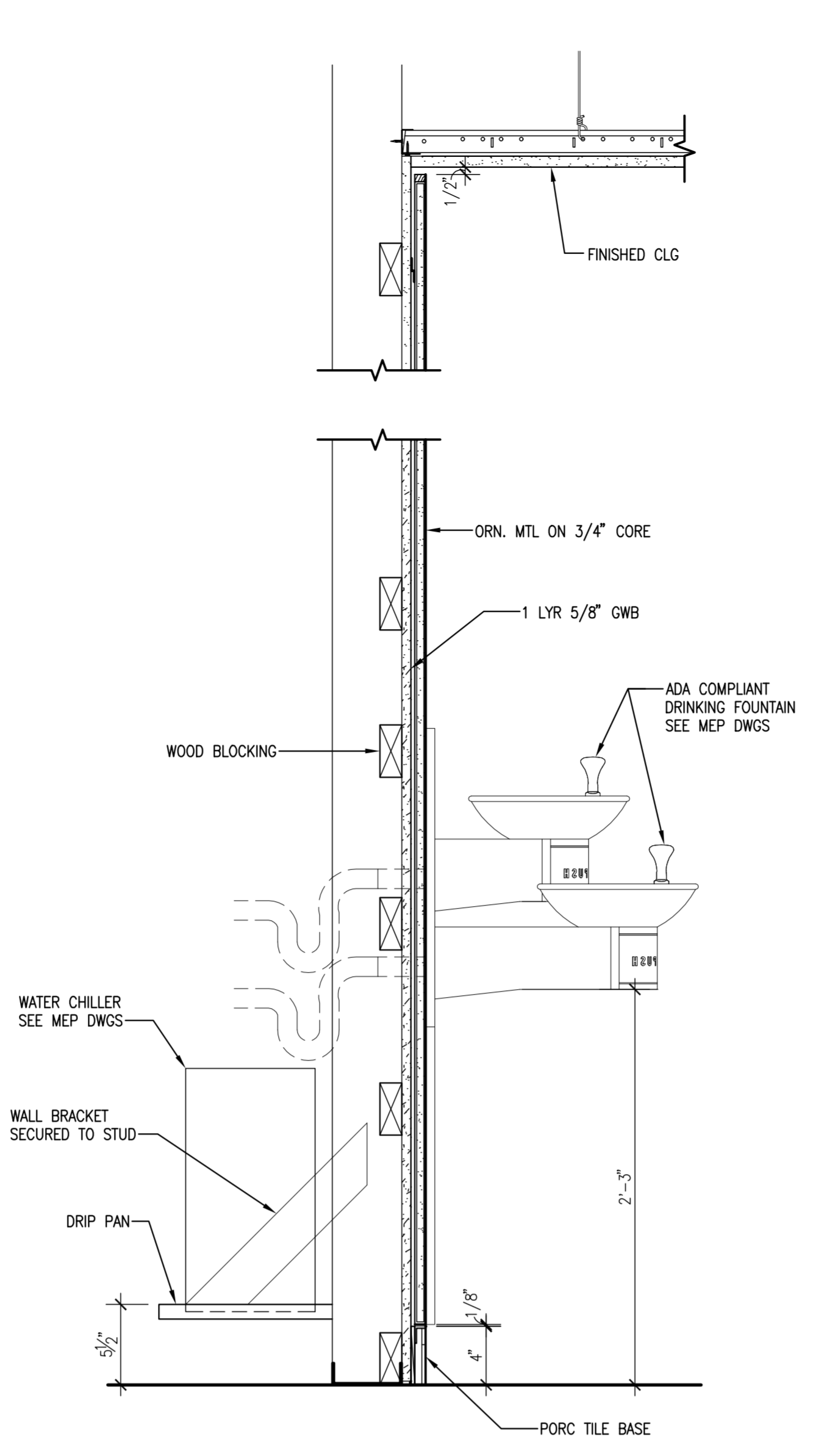
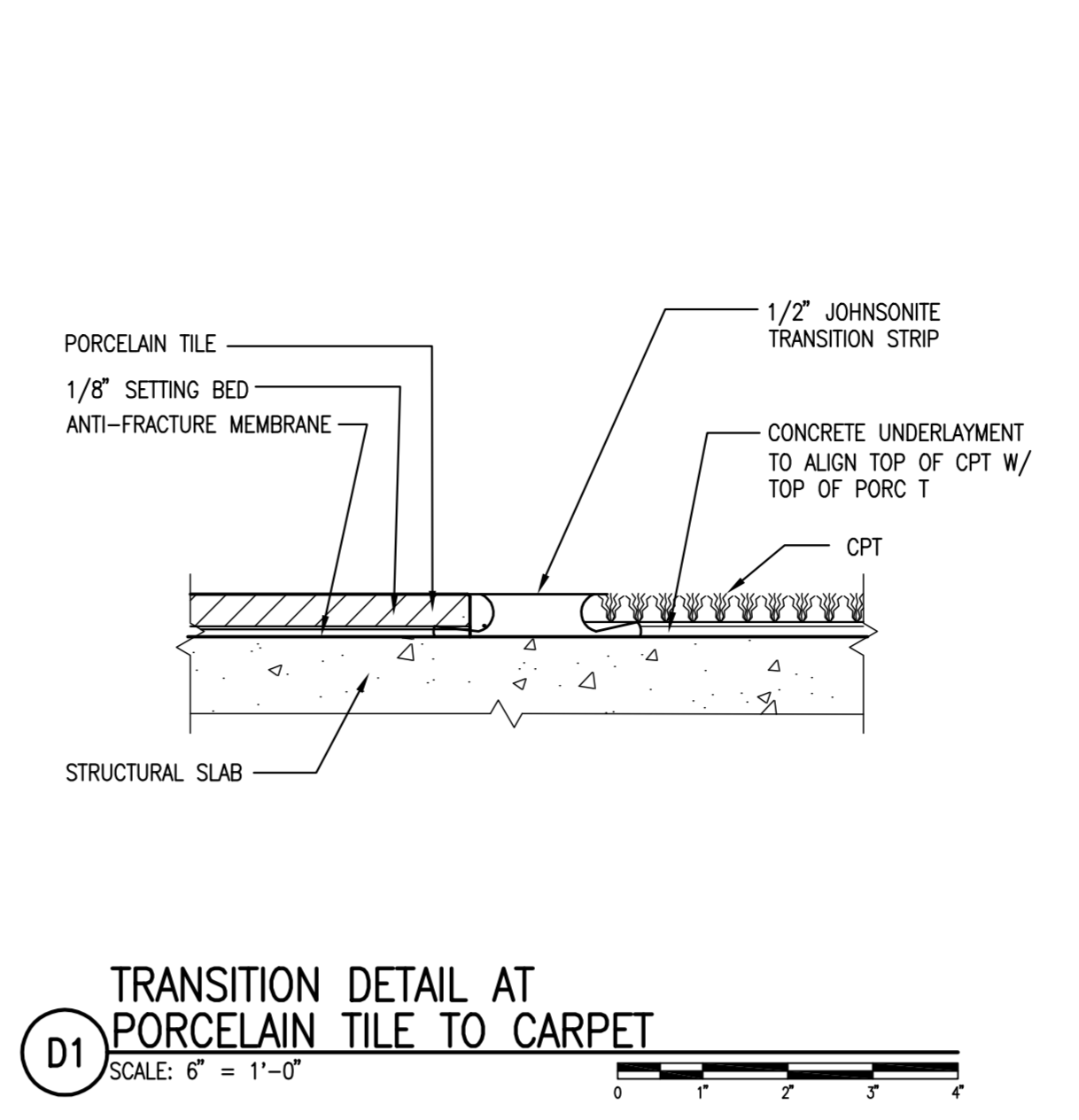


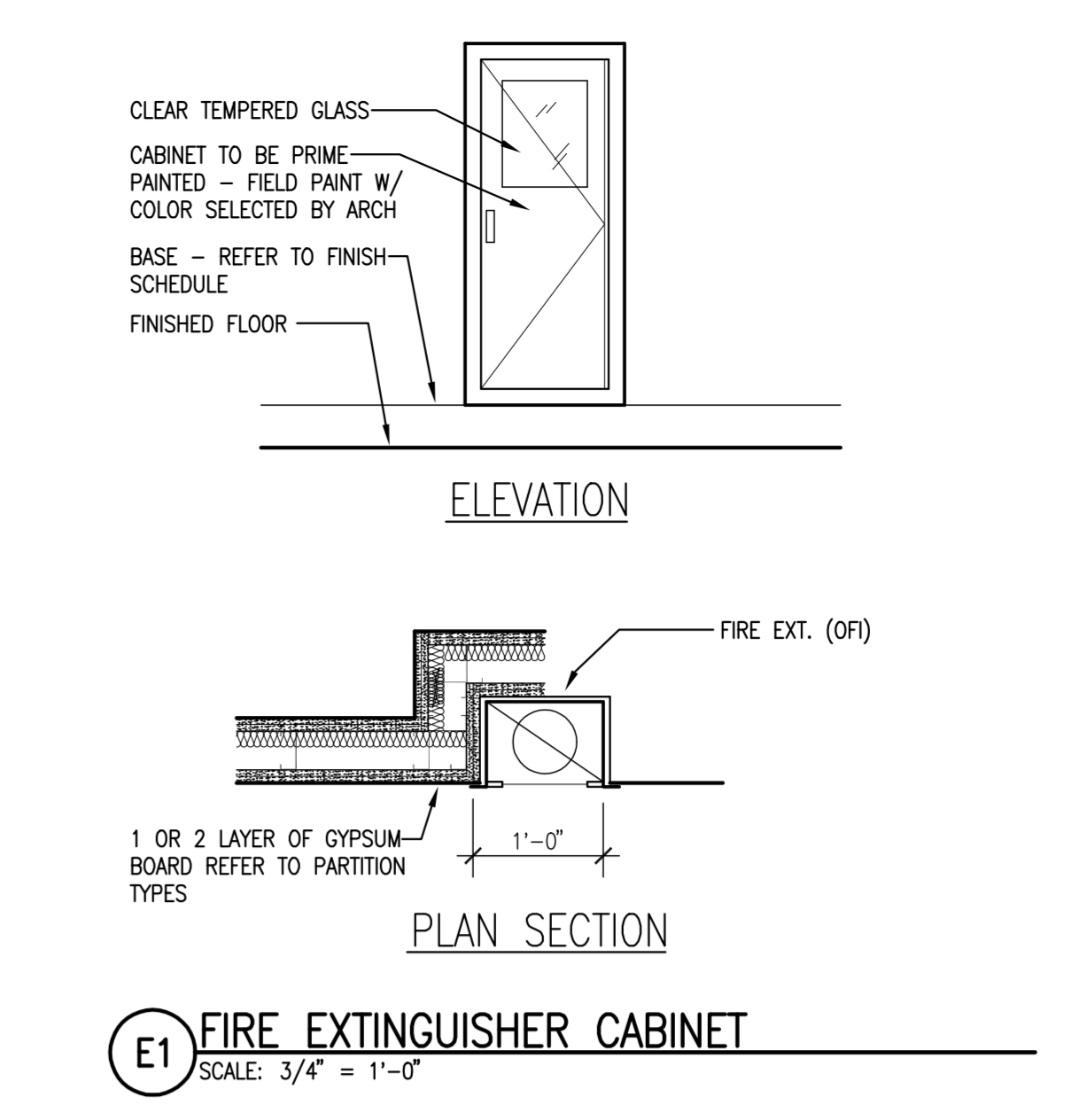
**A1 SOUTH ELEVATION**  
**7'-0" HIGH VINYL CLAD CHAIN LINK FENCE**  
 SCALE: 1/2" = 1'-0"



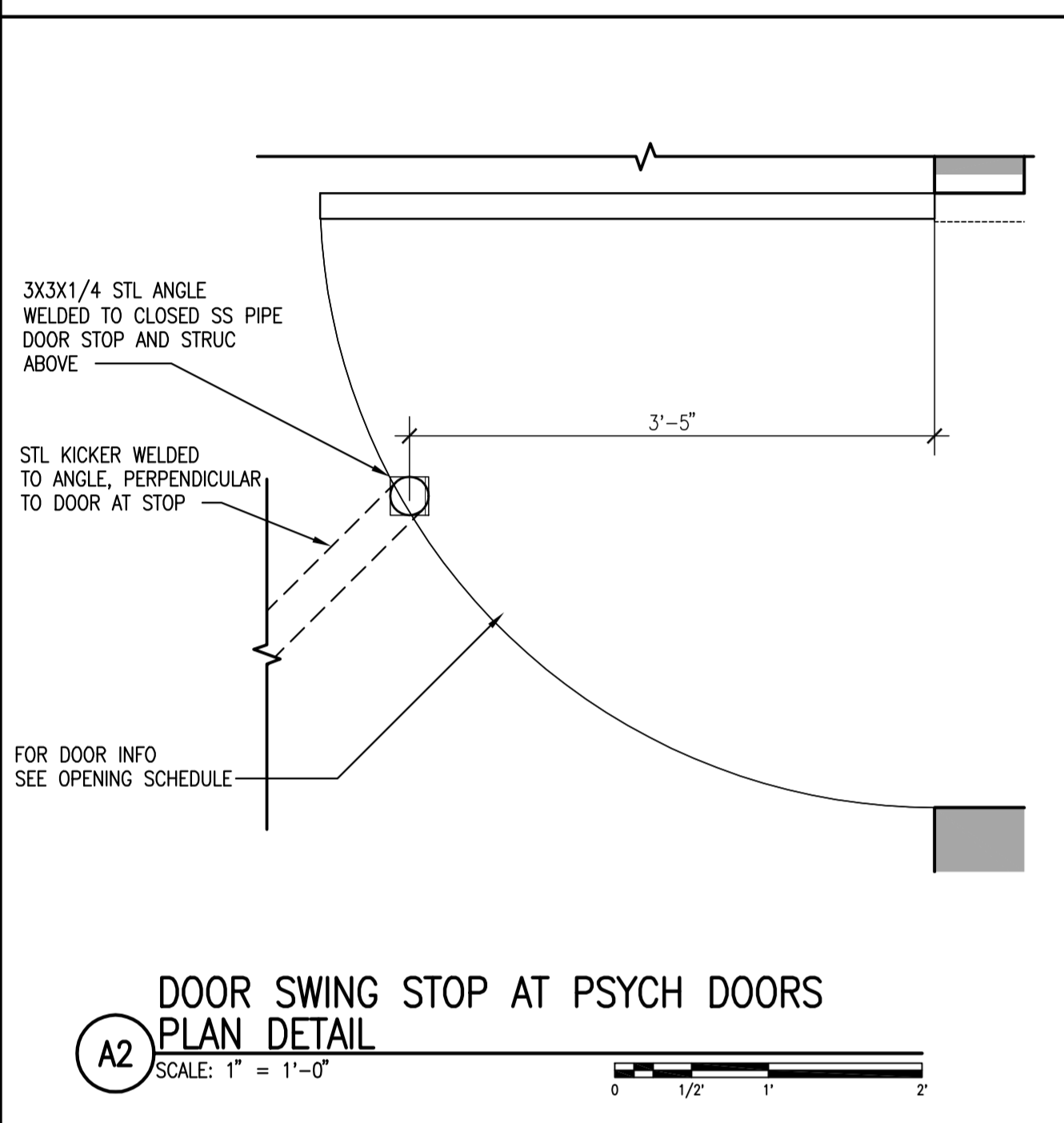
**C2 SECTION THRU WATER FOUNTAINS**  
 SCALE: 1/2" = 1'-0"



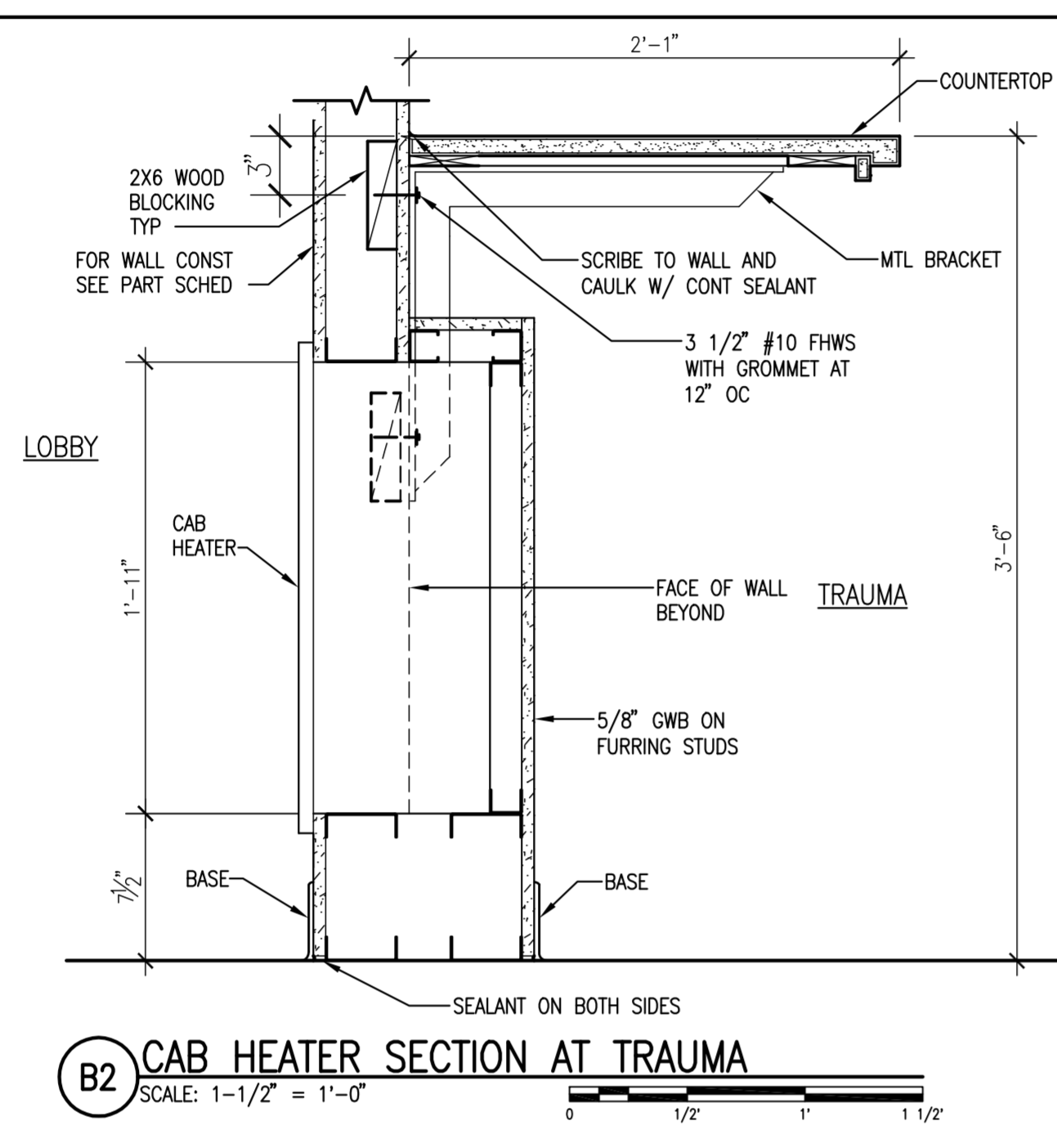
**D1 TRANSITION DETAIL AT PORCELAIN TILE TO CARPET**  
 SCALE: 6" = 1'-0"



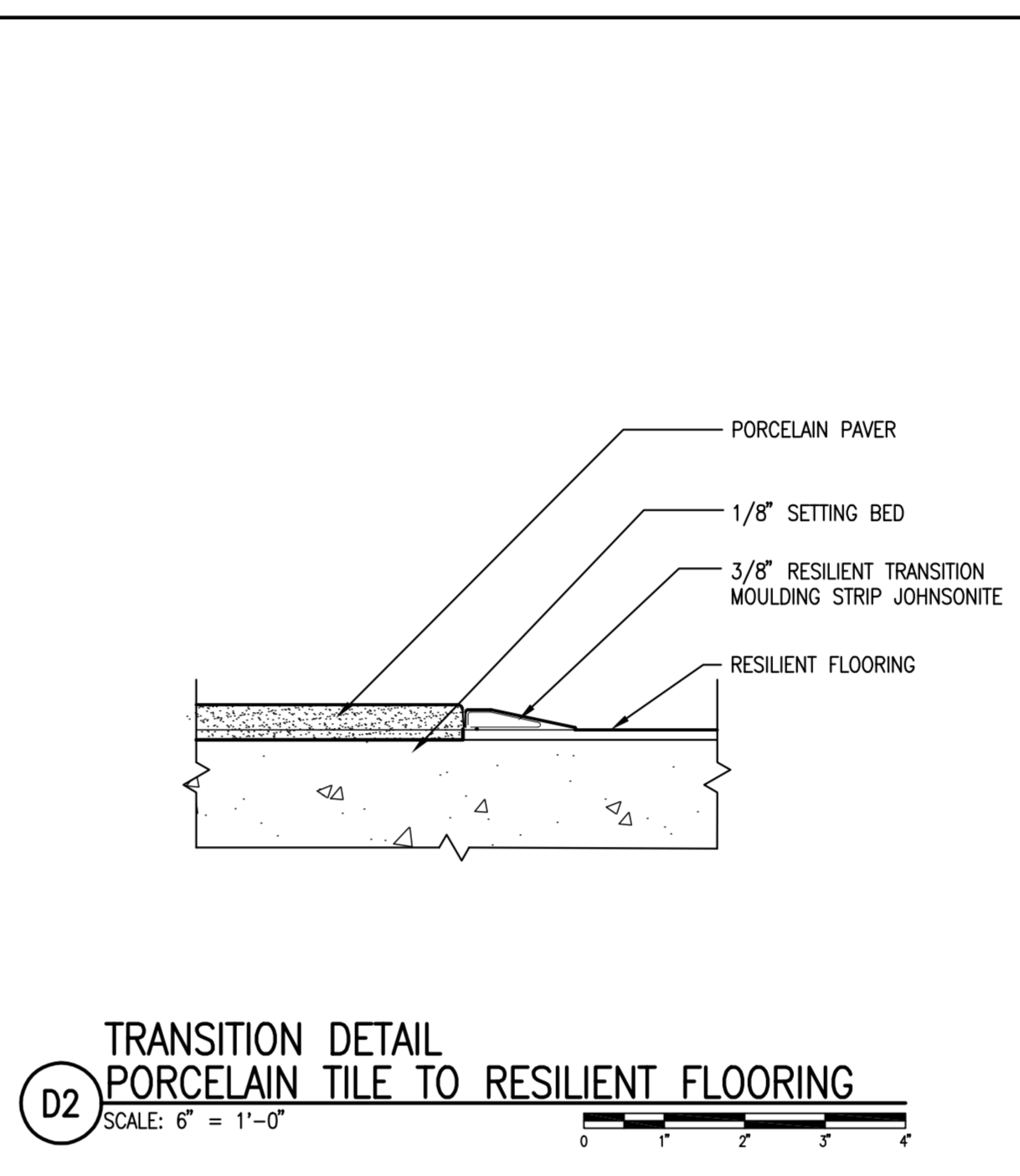
**E1 FIRE EXTINGUISHER CABINET**  
 SCALE: 3/4" = 1'-0"



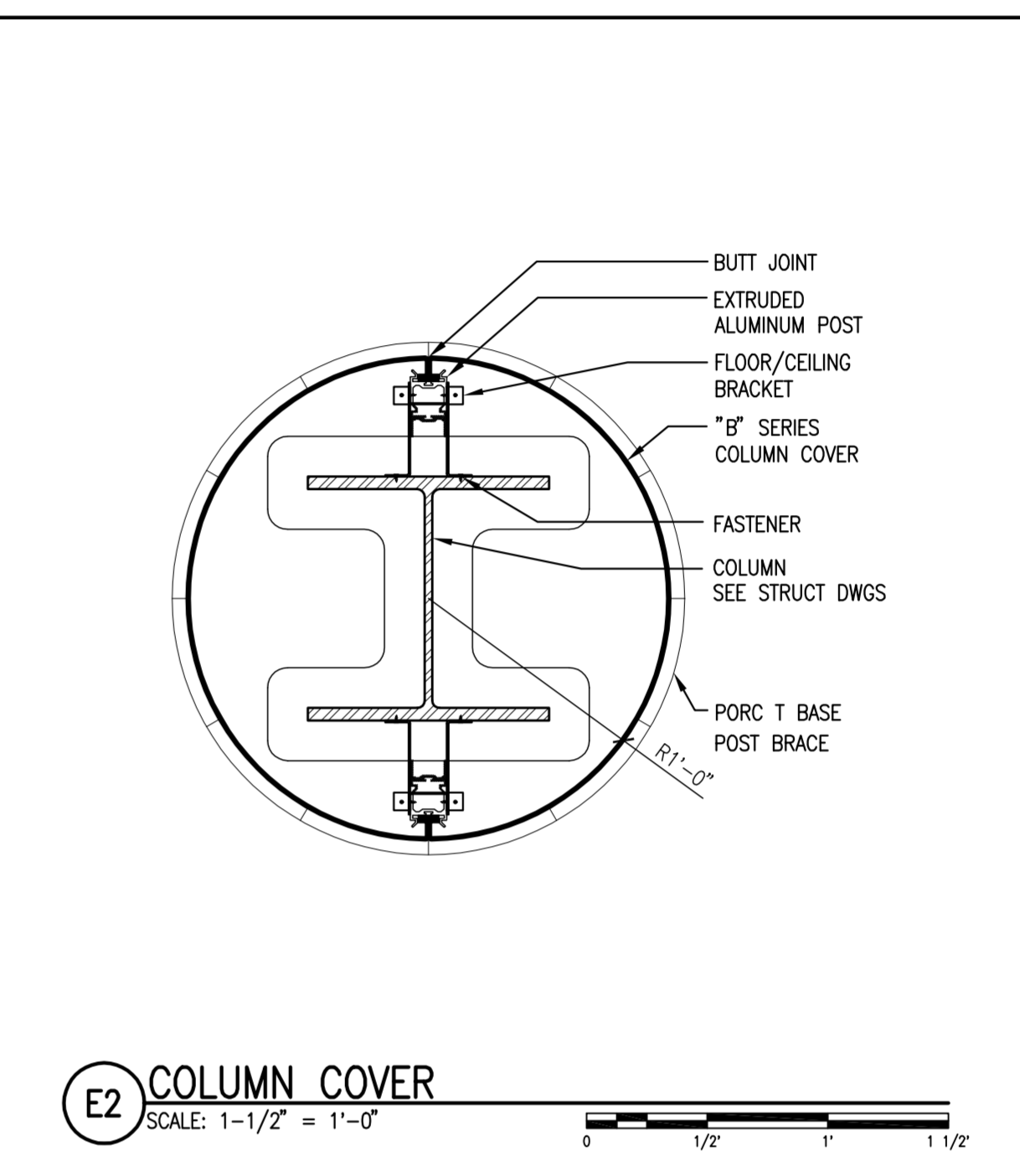
**A2 DOOR SWING STOP AT PSYCH DOORS**  
 PLAN DETAIL  
 SCALE: 1" = 1'-0"



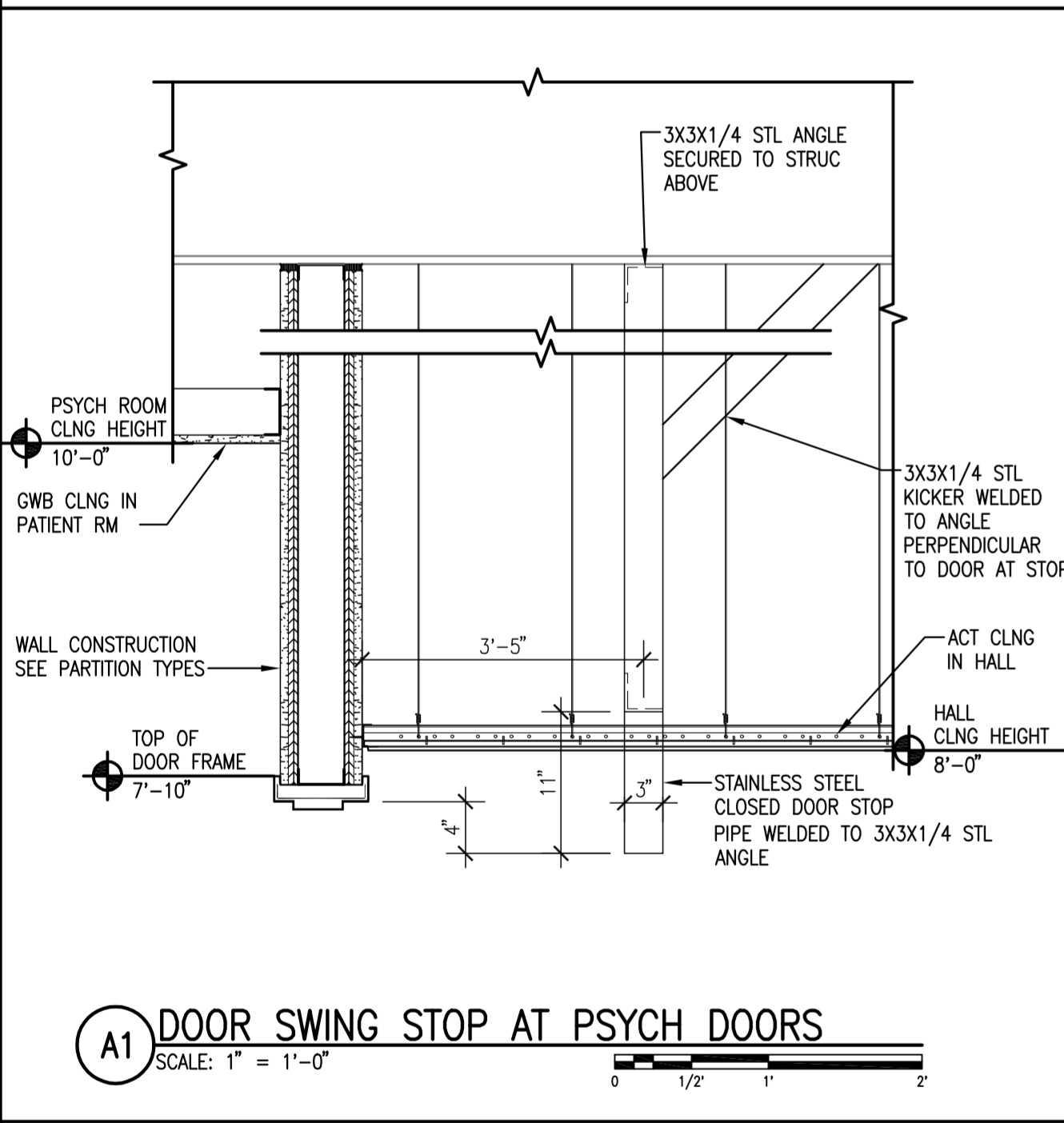
**B2 CAB HEATER SECTION AT TRAUMA**  
 SCALE: 1-1/2" = 1'-0"



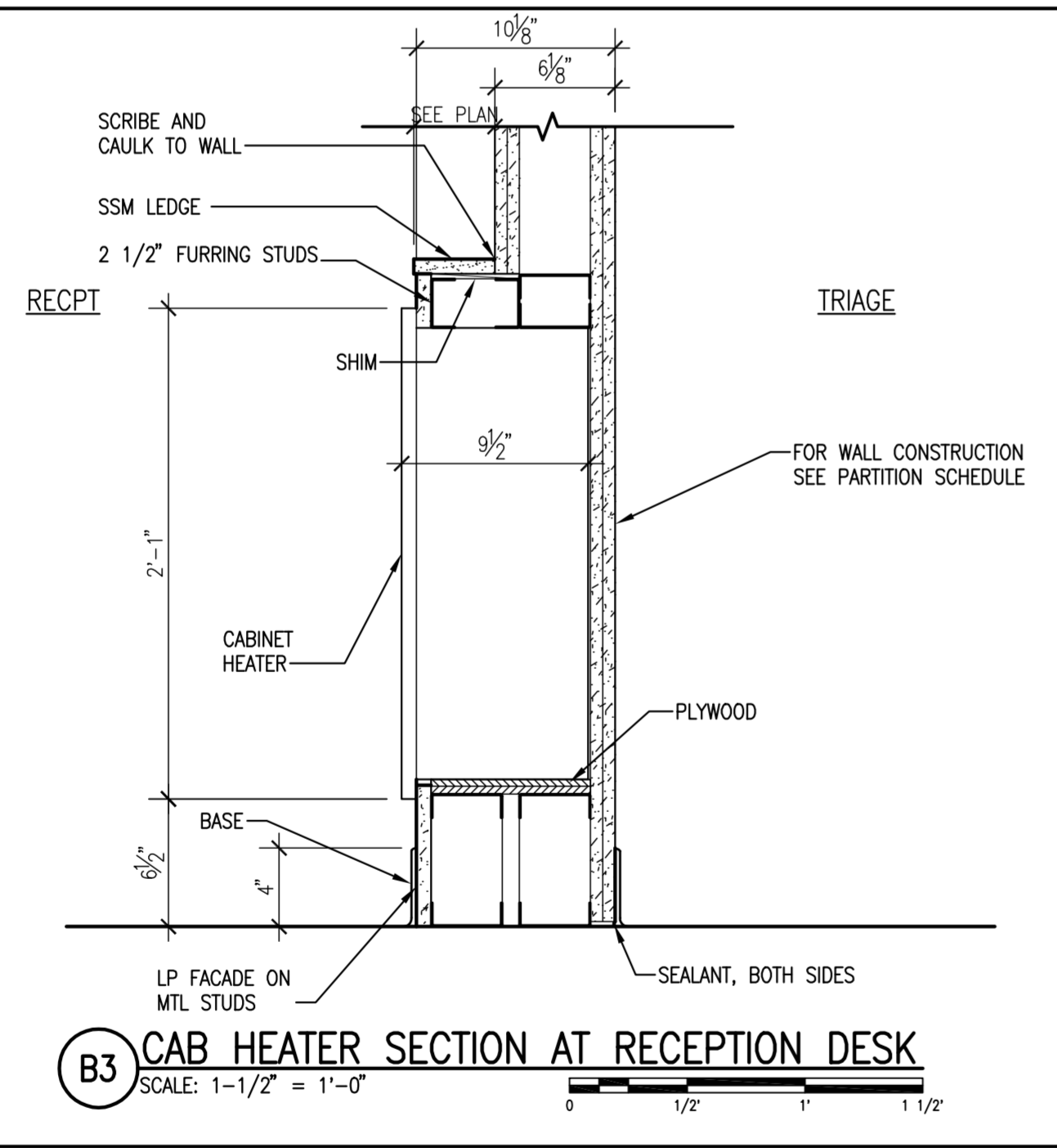
**D2 TRANSITION DETAIL PORCELAIN TILE TO RESILIENT FLOORING**  
 SCALE: 6" = 1'-0"



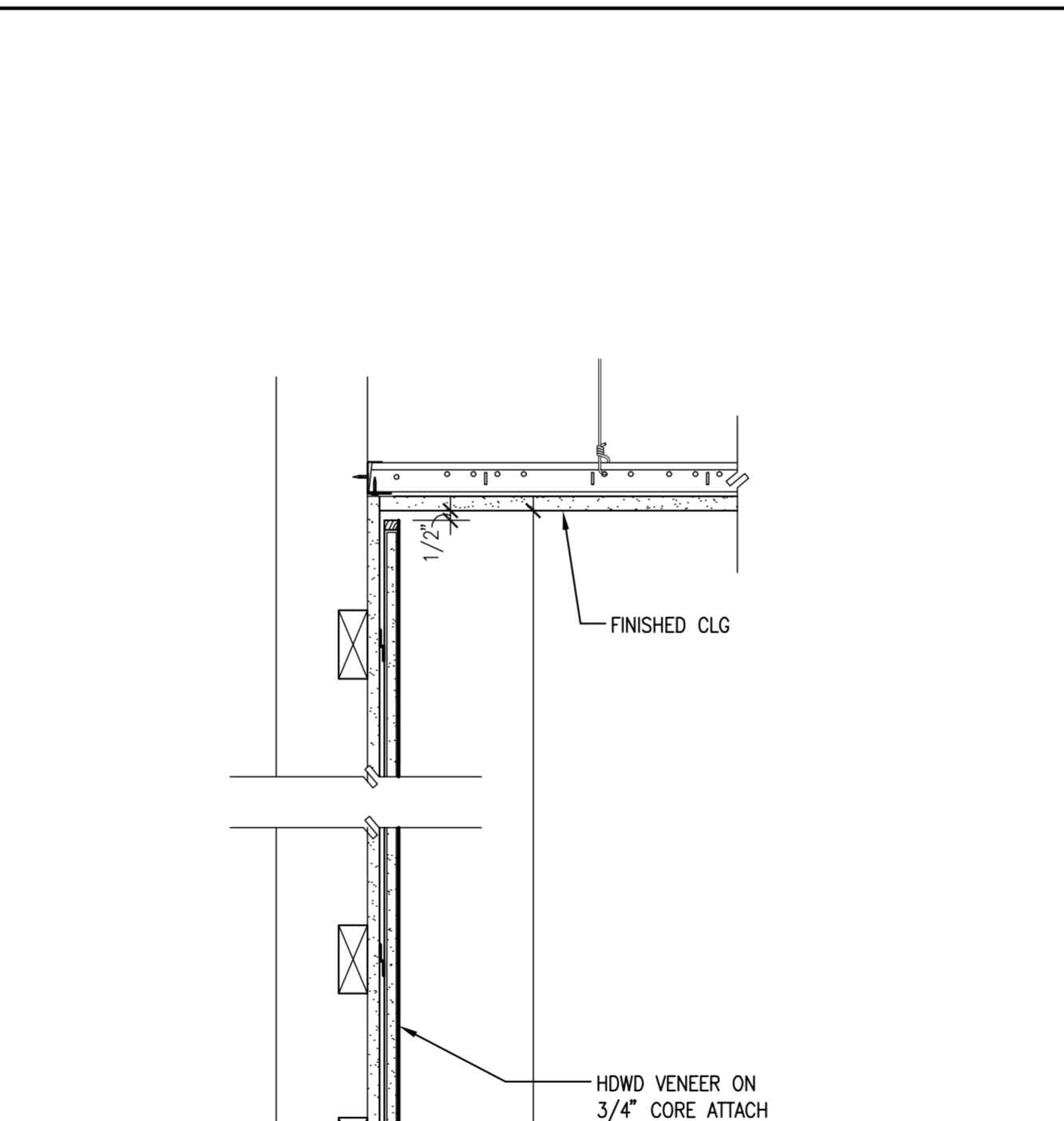
**E2 COLUMN COVER**  
 SCALE: 1-1/2" = 1'-0"



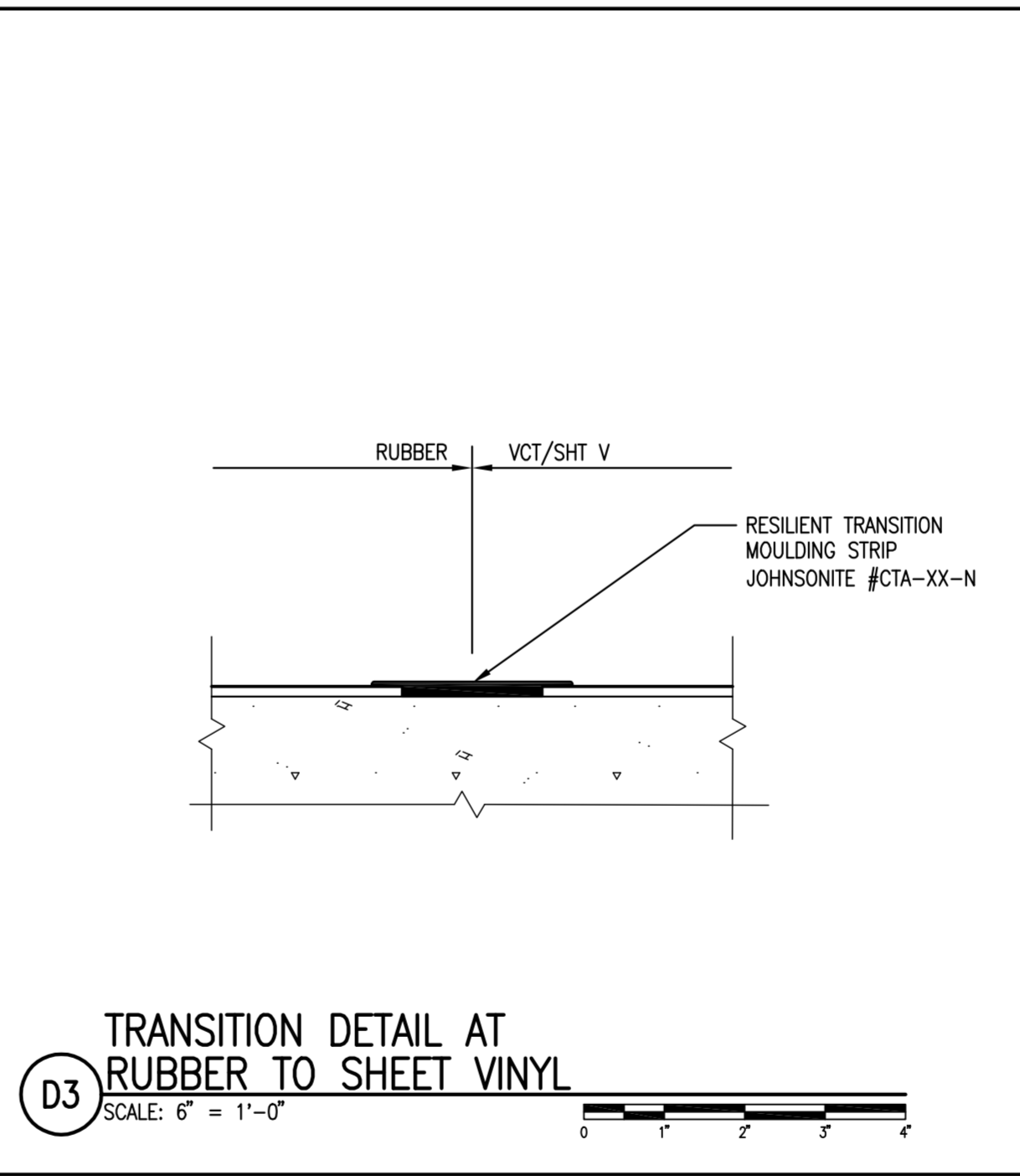
**A1 DOOR SWING STOP AT PSYCH DOORS**  
 SCALE: 1" = 1'-0"



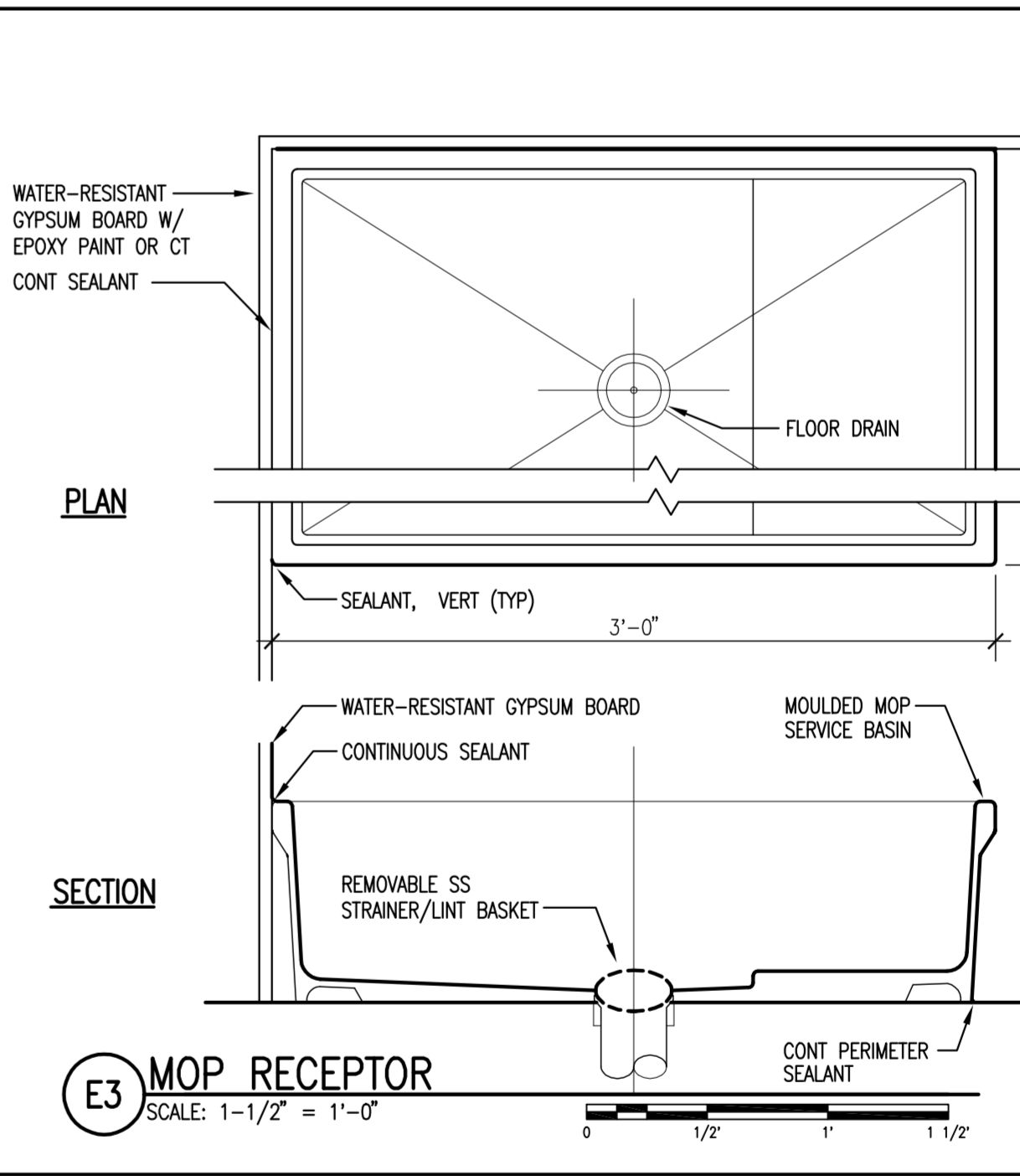
**B3 CAB HEATER SECTION AT RECEPTION DESK**  
 SCALE: 1-1/2" = 1'-0"



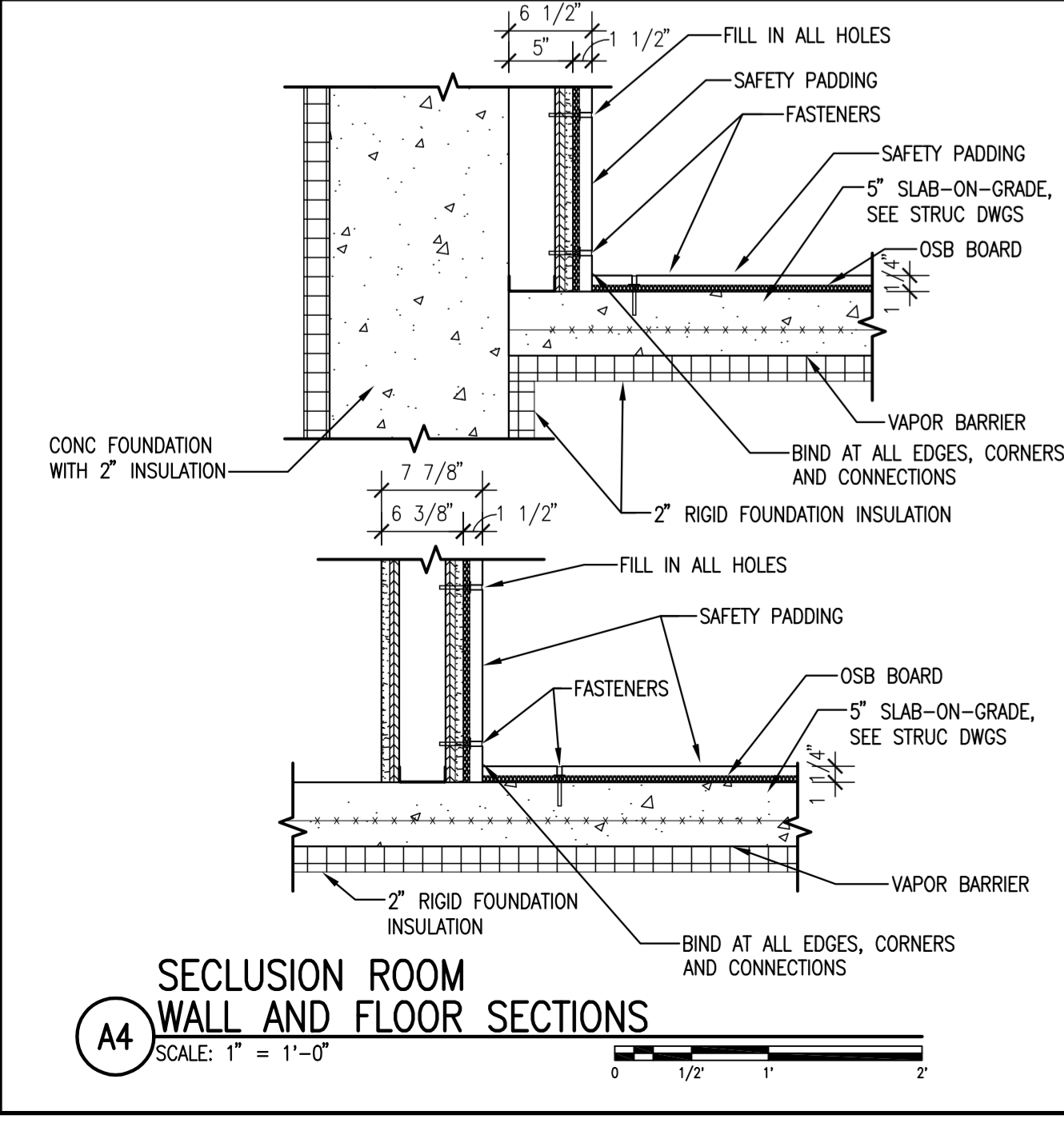
**C4 SECTION THRU WOOD PANEL**  
 SCALE: 1/2" = 1'-0"



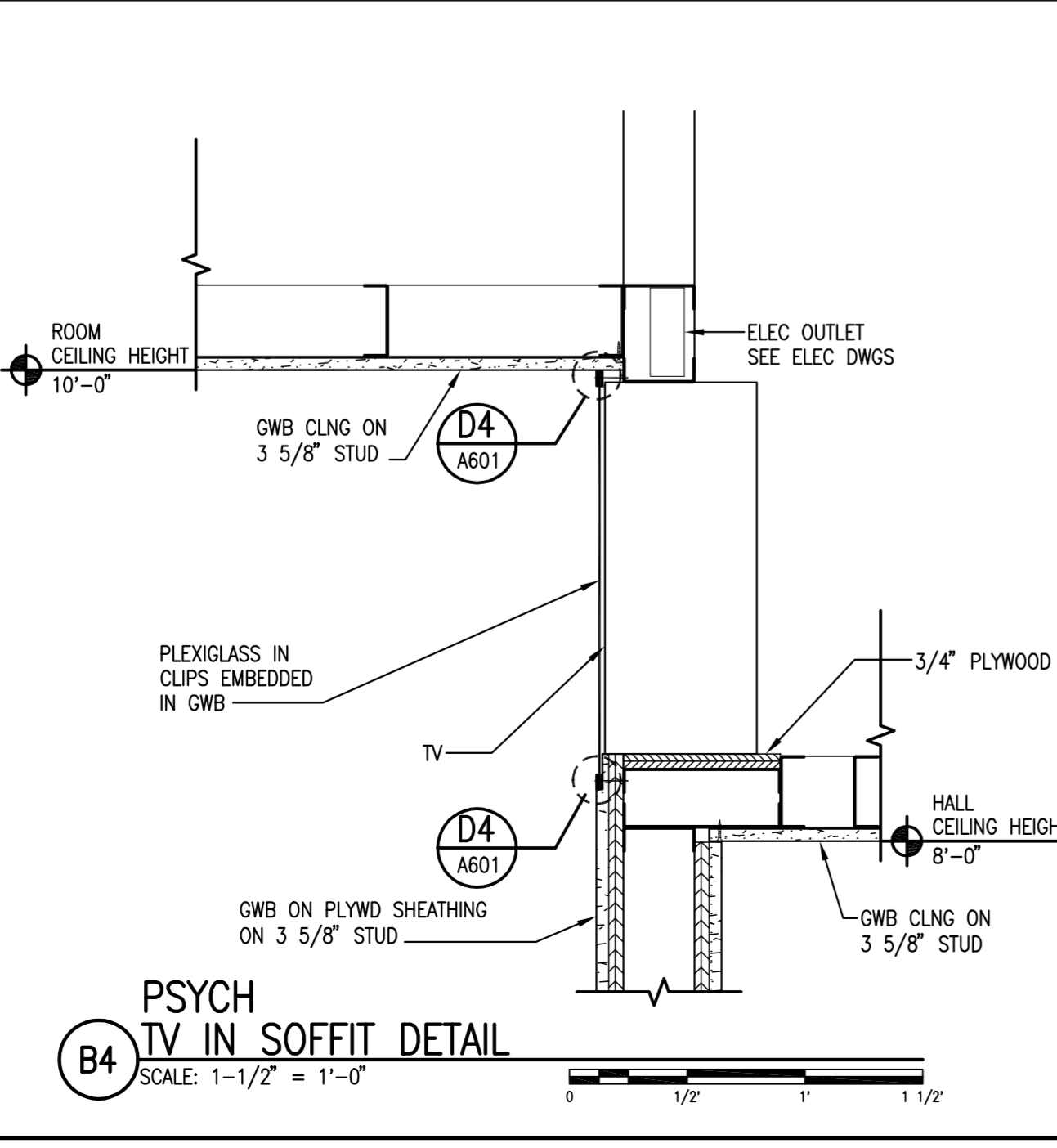
**D3 TRANSITION DETAIL AT RUBBER TO SHEET VINYL**  
 SCALE: 6" = 1'-0"



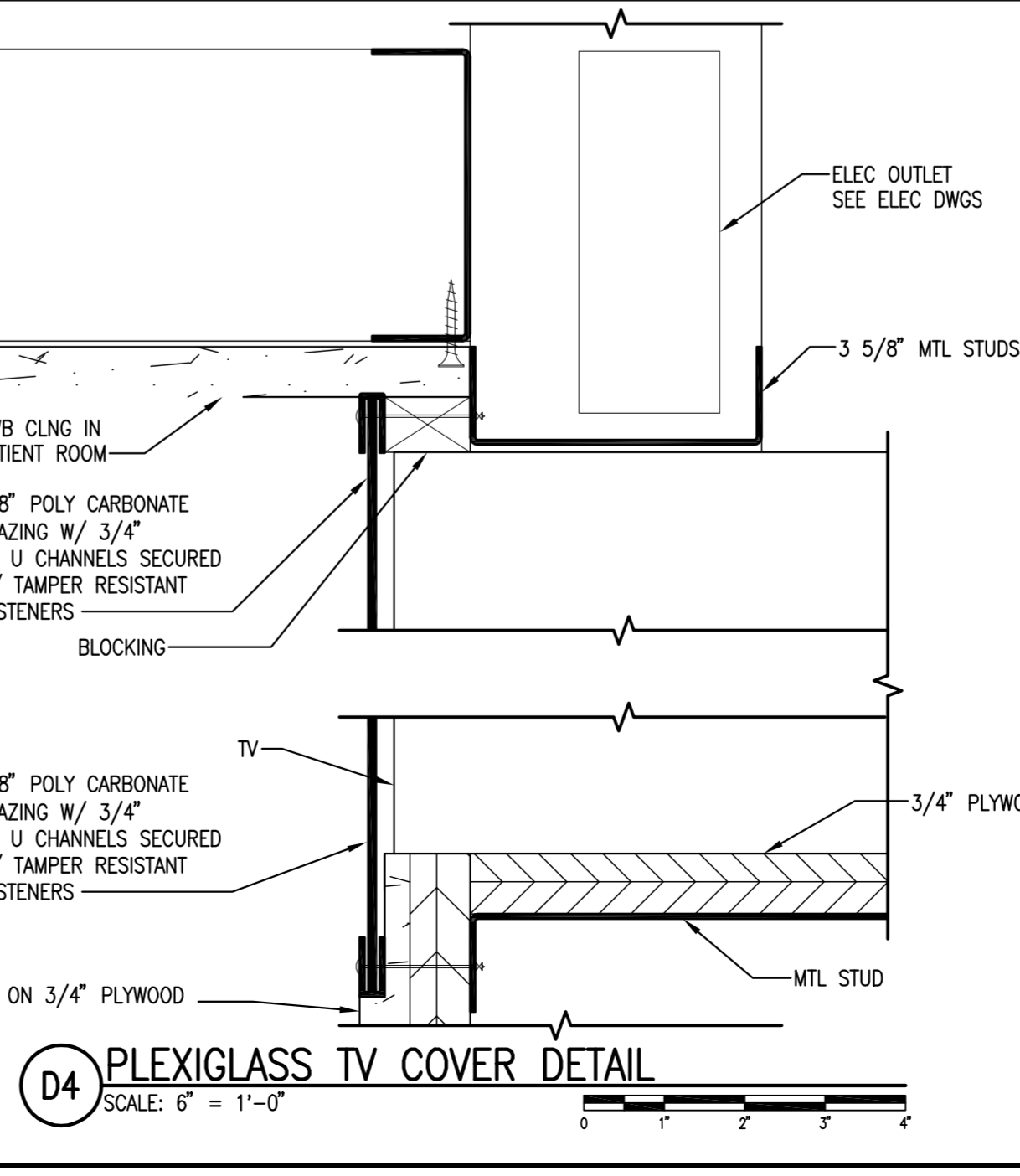
**E3 MOP RECEPTOR**  
 SCALE: 1-1/2" = 1'-0"



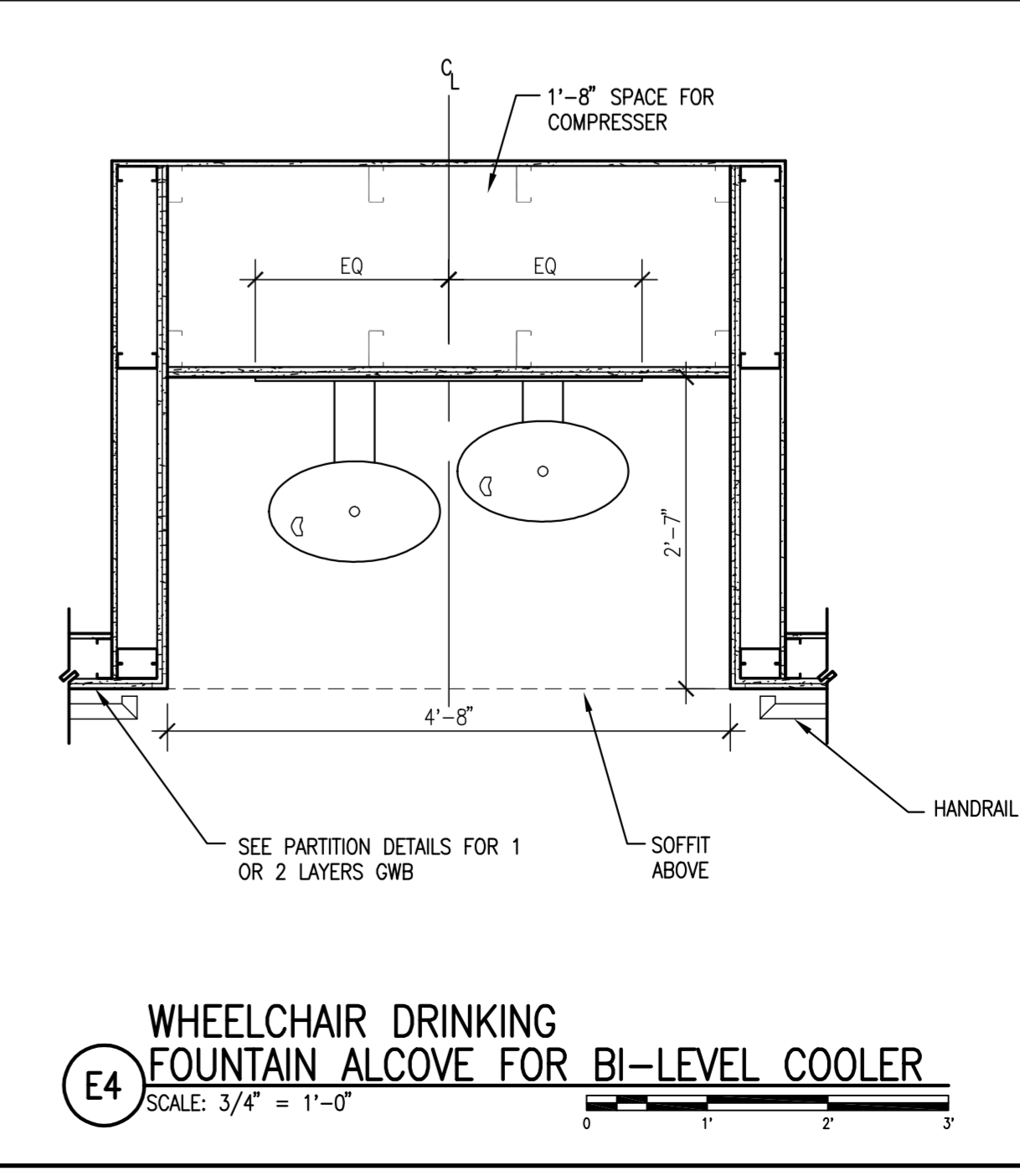
**A4 SECLUSION ROOM WALL AND FLOOR SECTIONS**  
 SCALE: 1" = 1'-0"



**B4 PSYCH TV IN SOFFIT DETAIL**  
 SCALE: 1-1/2" = 1'-0"

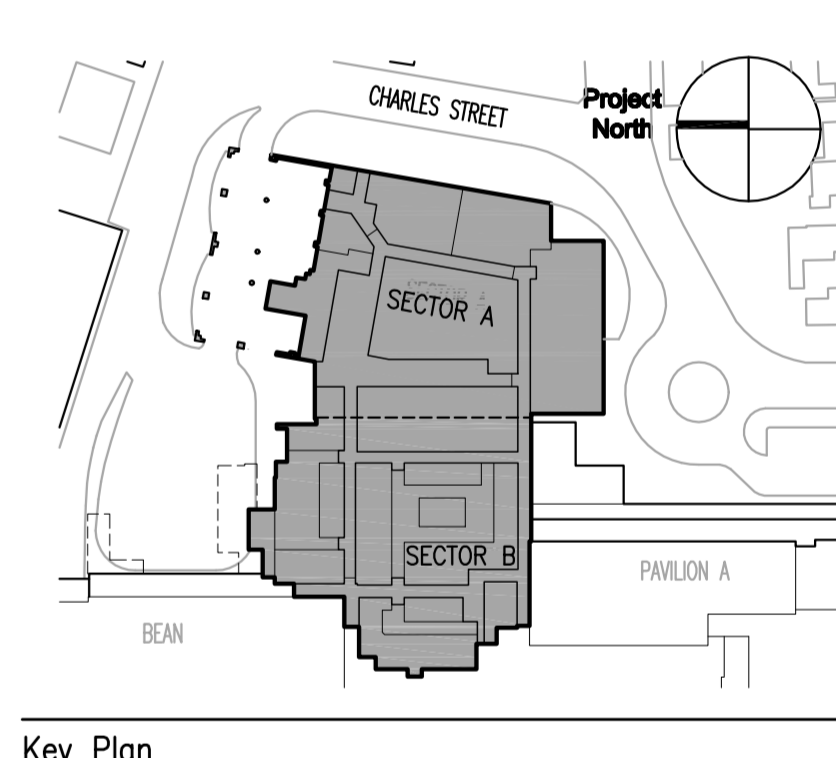


**D4 PLEXIGLASS TV COVER DETAIL**  
 SCALE: 6" = 1'-0"



**E4 WHEELCHAIR DRINKING FOUNTAIN ALCOVE FOR BI-LEVEL COOLER**  
 SCALE: 3/4" = 1'-0"

MARK	ISSUE DATE	DESCRIPTION
BID	12/14/07	BID SET
Issue Log		



**TRO Jung|Brannen**  
 ARCHITECTURE INTERIOR DESIGN ENGINEERING MASTER PLANNING  
 22 Boston Wharf Road, Boston, Massachusetts 02210  
 Tel 617.502.8400 Fax 617.502.3402 www.trojungbrannen.com

**Maine Medical Center**  
 ED Expansion and Renovation  
 Portland, Maine MMC Project No. 21843

Drawing Title  
**MISCELLANEOUS DETAILS NO. 2**

Drawn By AD/KFEC Commission No. 4696  
 Approved By JV Date Issued 12/14/07

Phase / Package Number Sheet Number  
**A601**