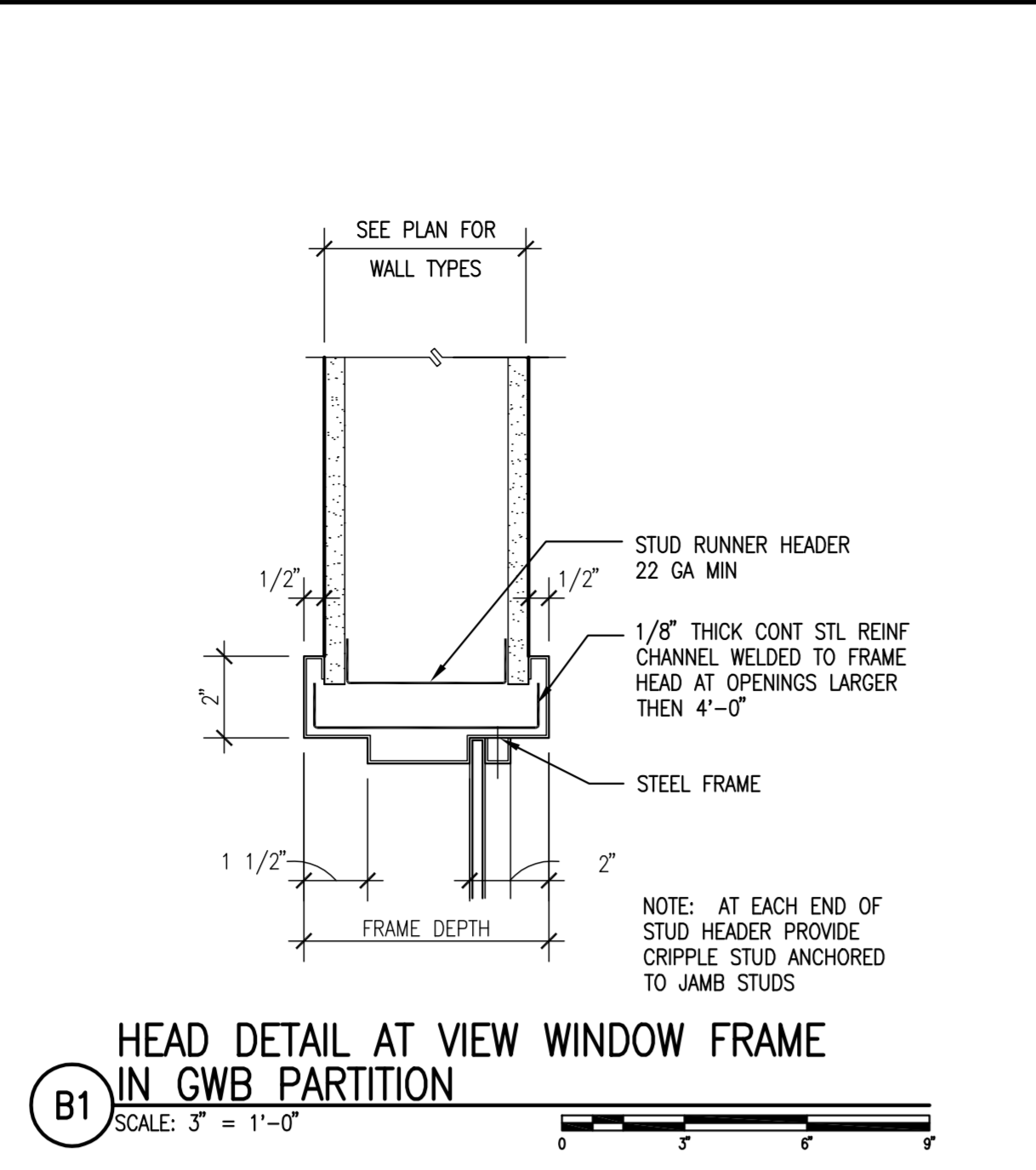
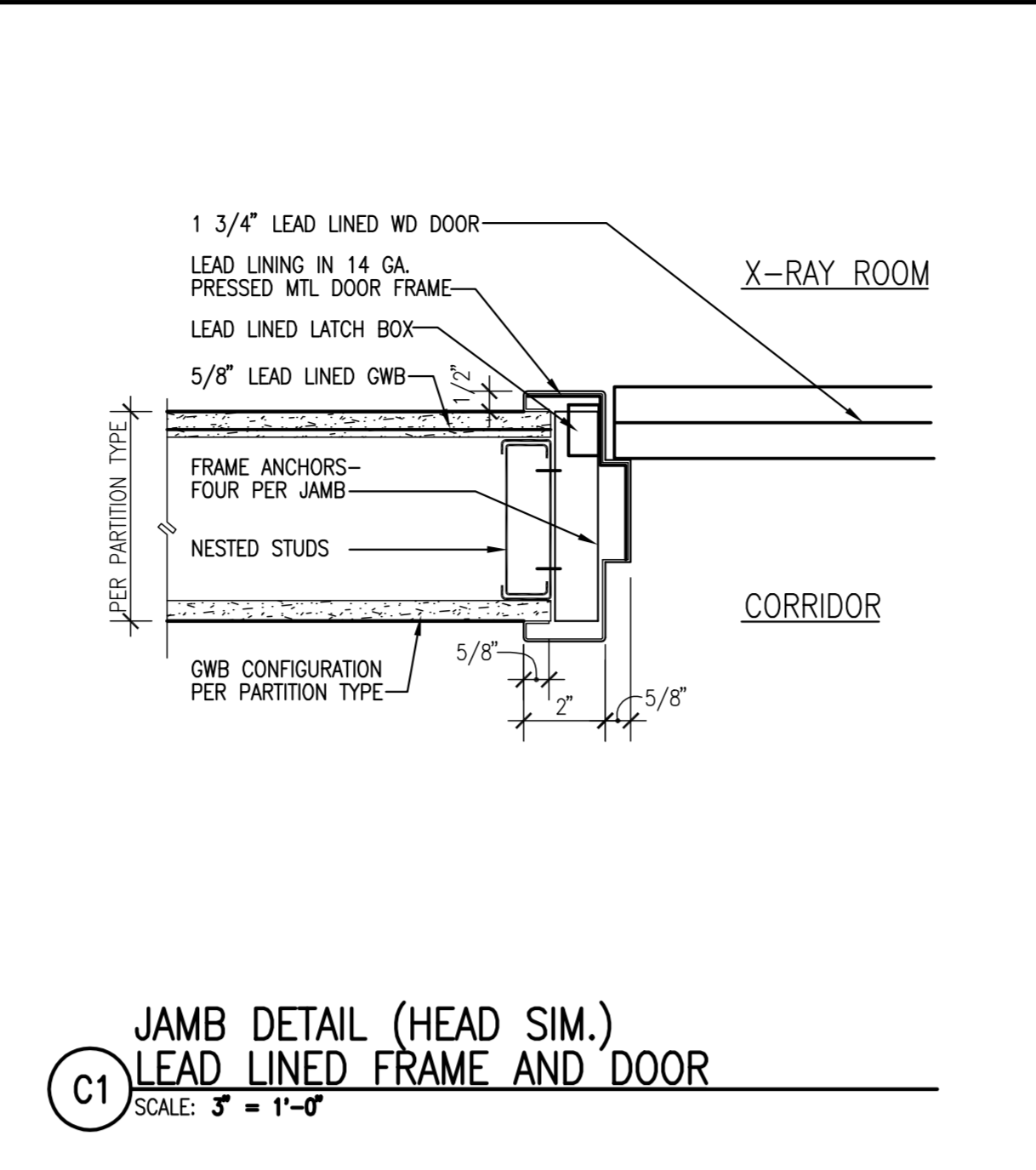


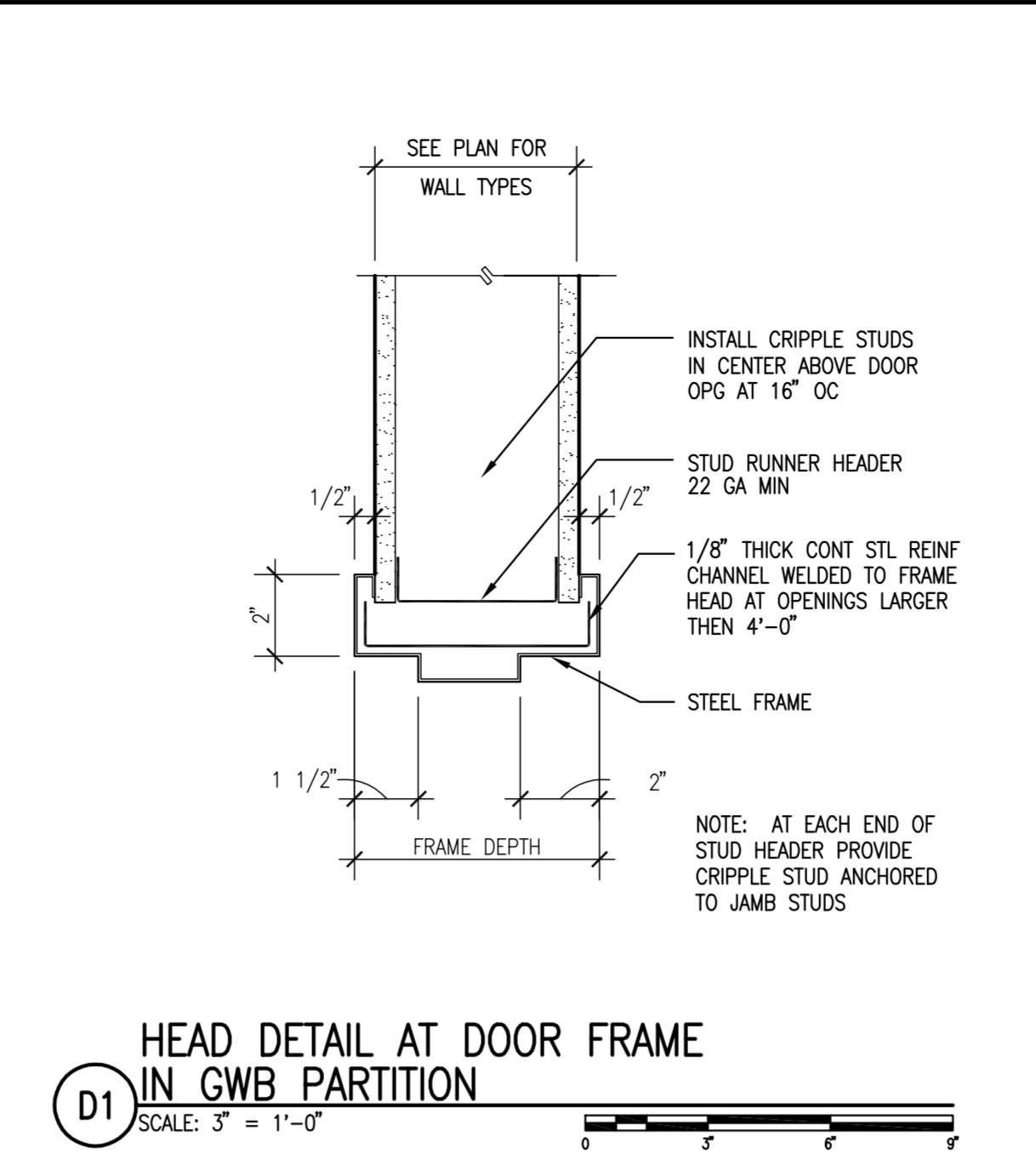
**A3 SECLUSION ROOM DOOR PADDING SECTION**  
SCALE: 3" = 1'-0"



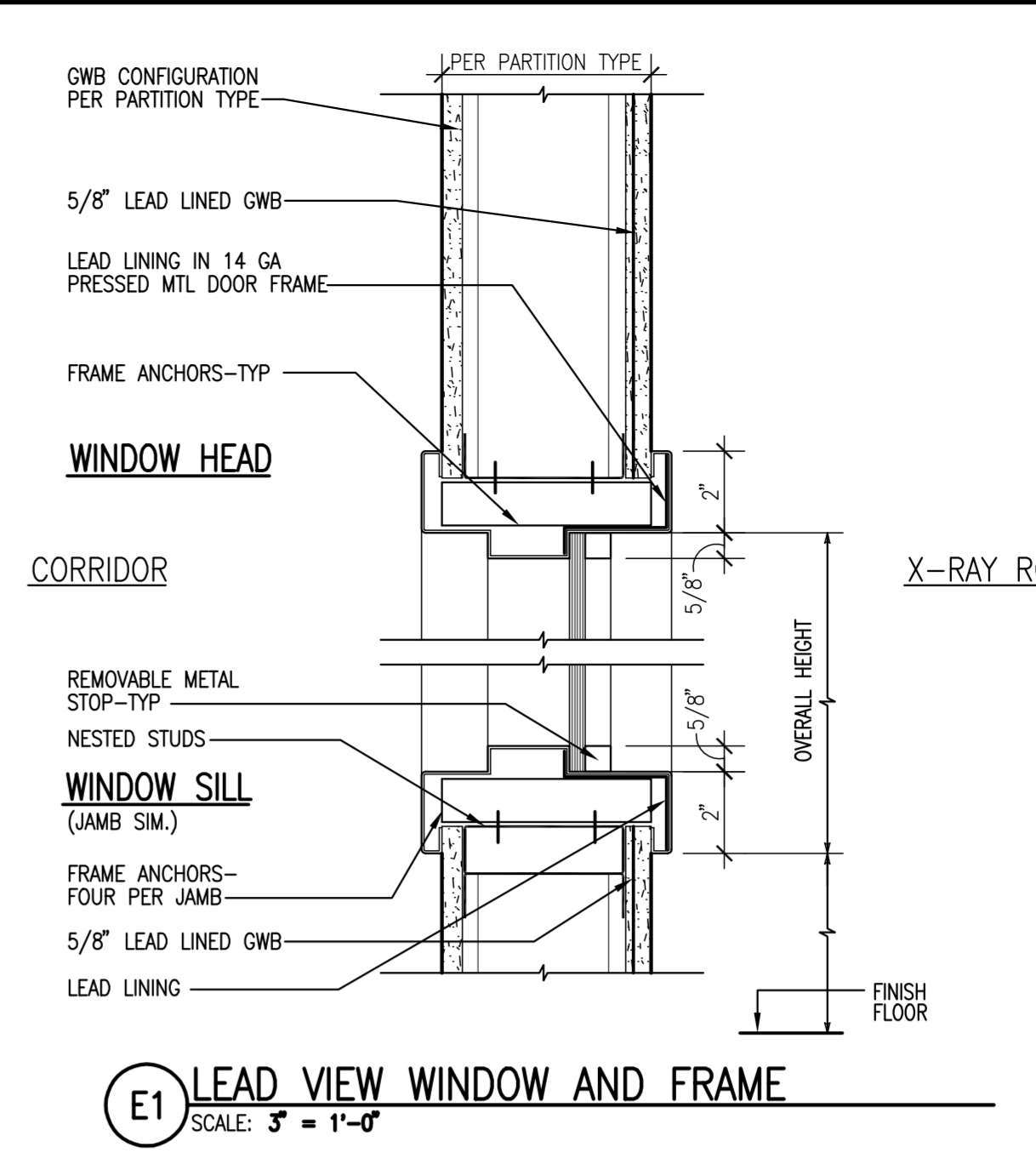
**B1 HEAD DETAIL AT VIEW WINDOW FRAME IN GWB PARTITION**  
SCALE: 3" = 1'-0"



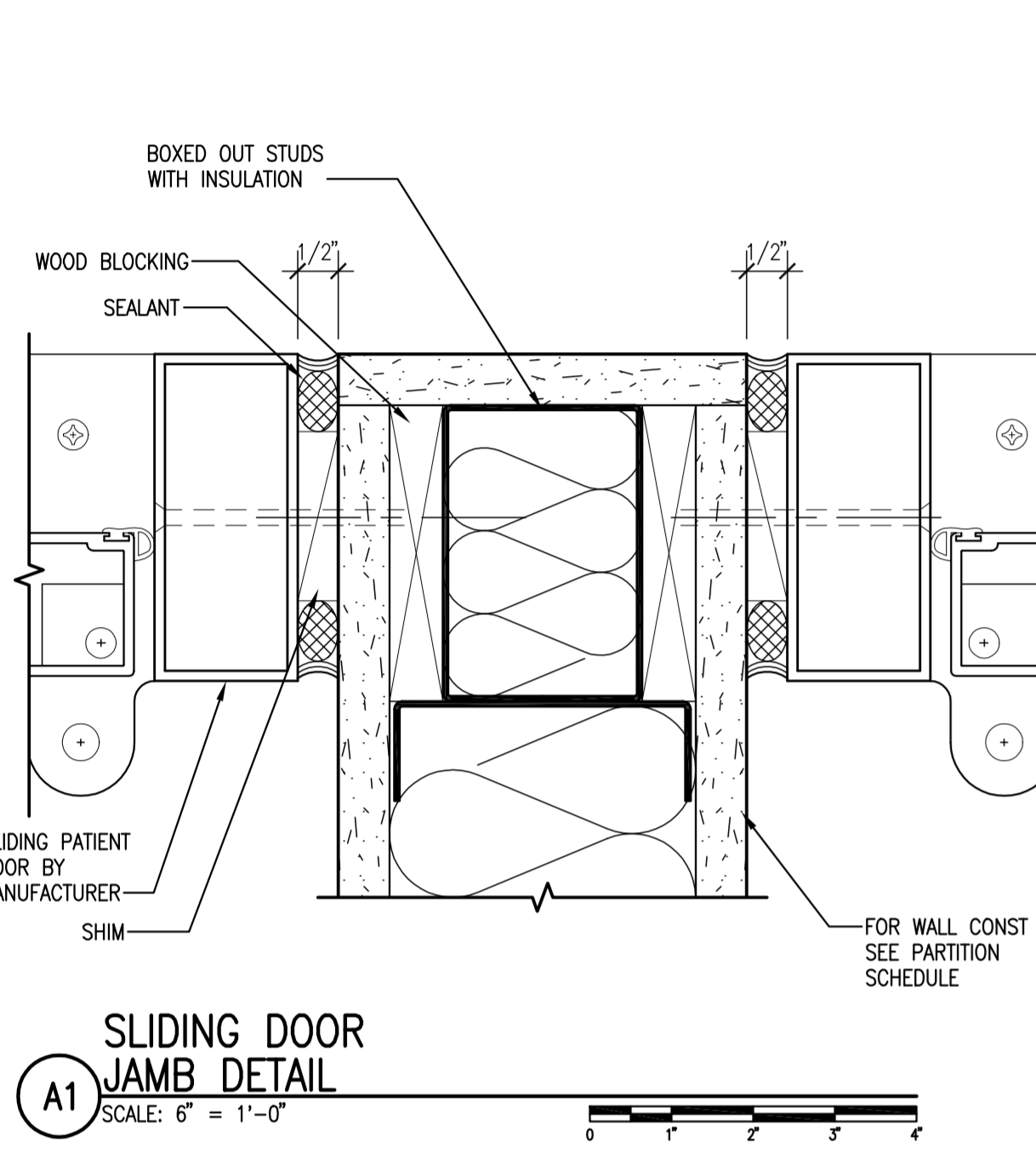
**C1 JAMB DETAIL (HEAD SIM.) LEAD LINED FRAME AND DOOR**  
SCALE: 3" = 1'-0"



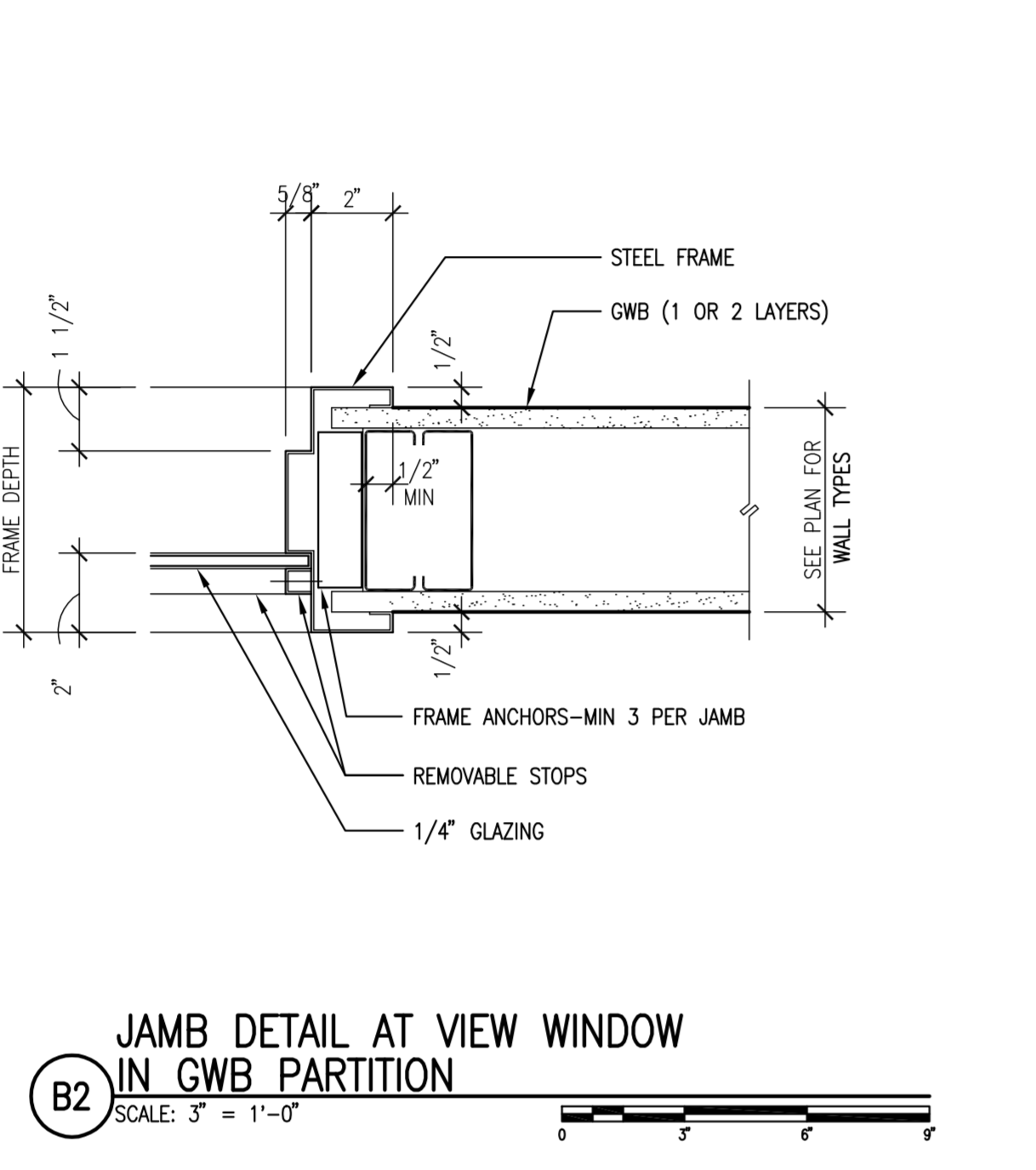
**D1 HEAD DETAIL AT DOOR FRAME IN GWB PARTITION**  
SCALE: 3" = 1'-0"



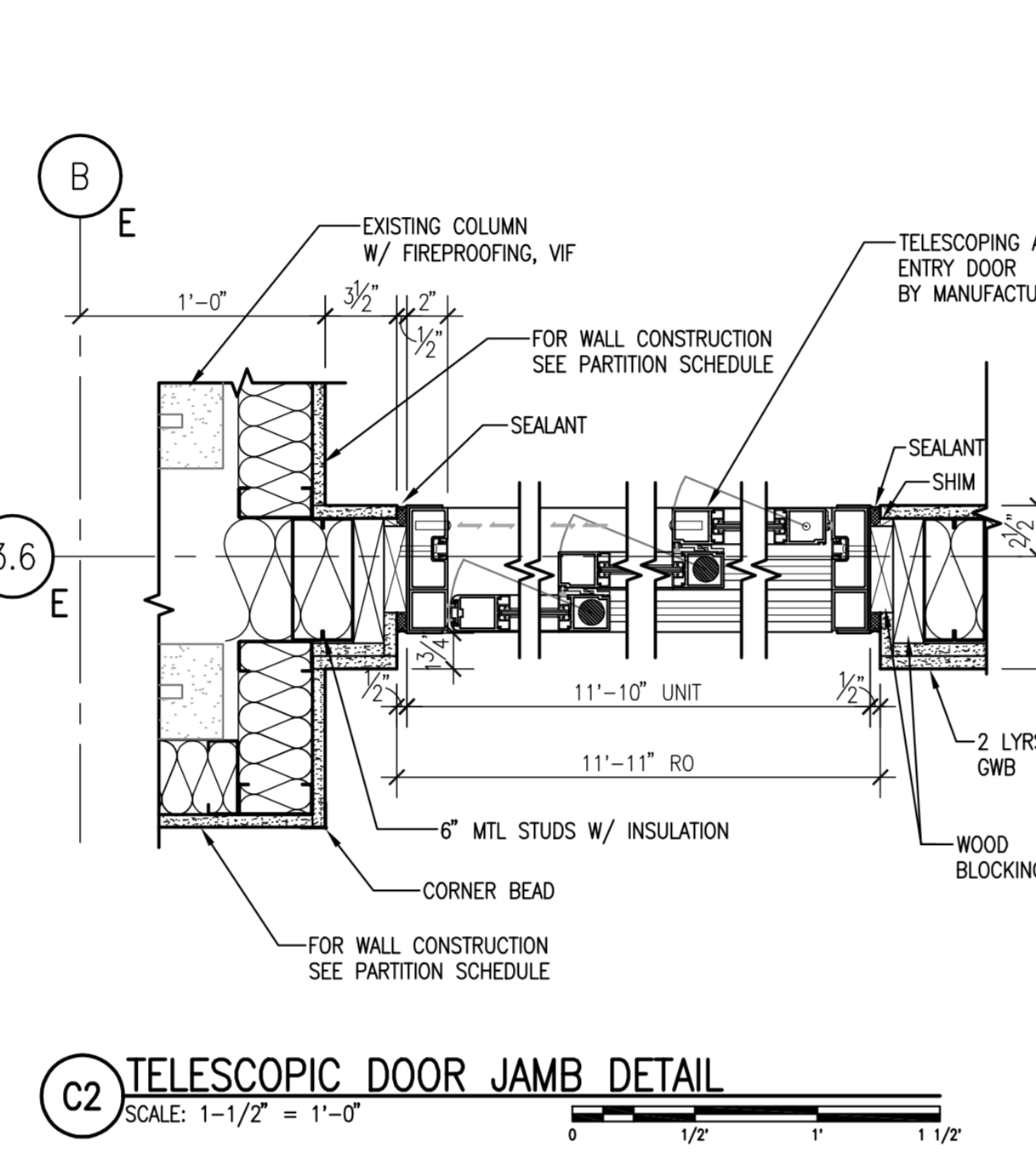
**E1 LEAD VIEW WINDOW AND FRAME**  
SCALE: 3" = 1'-0"



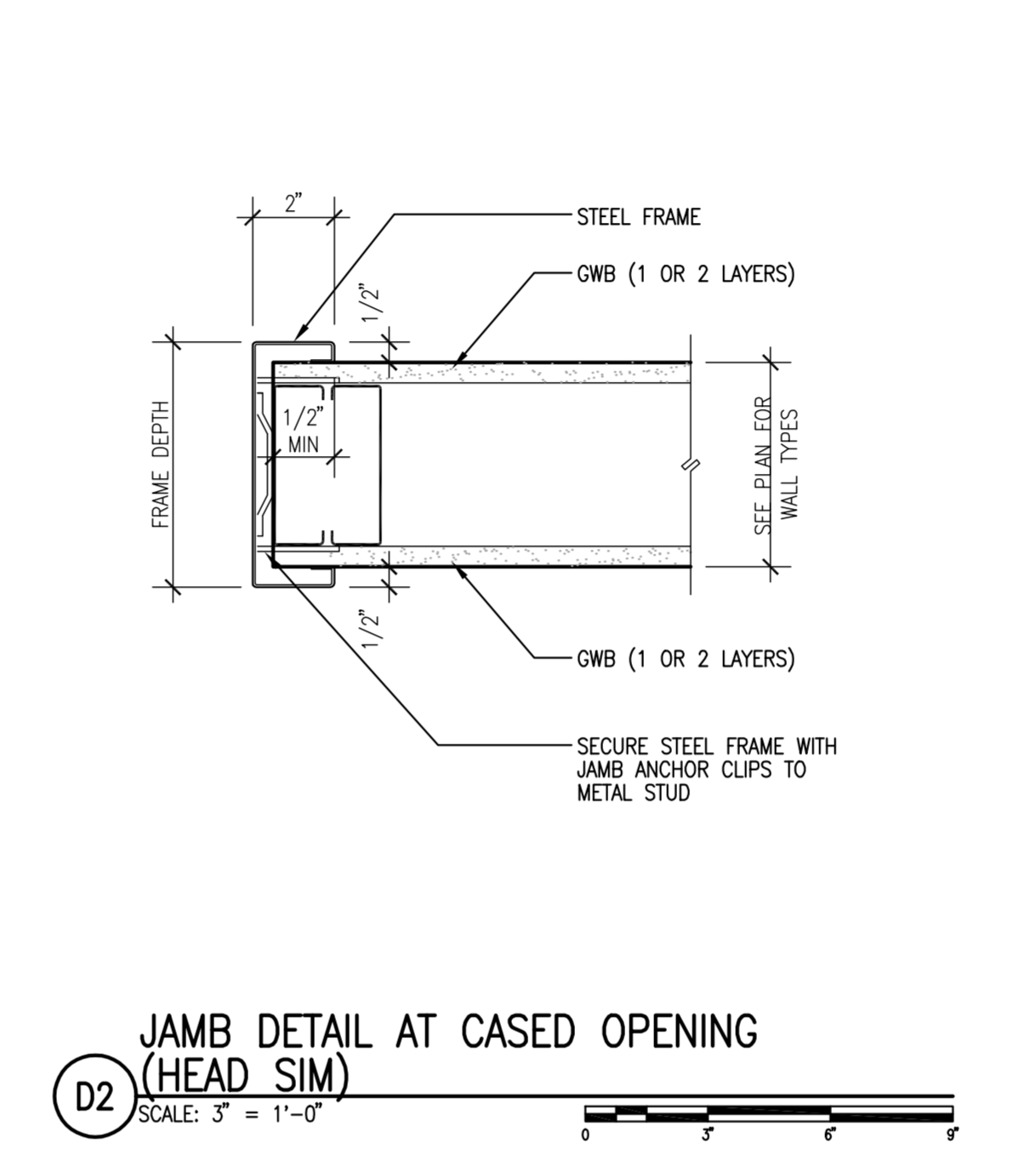
**A1 SLIDING DOOR JAMB DETAIL**  
SCALE: 6" = 1'-0"



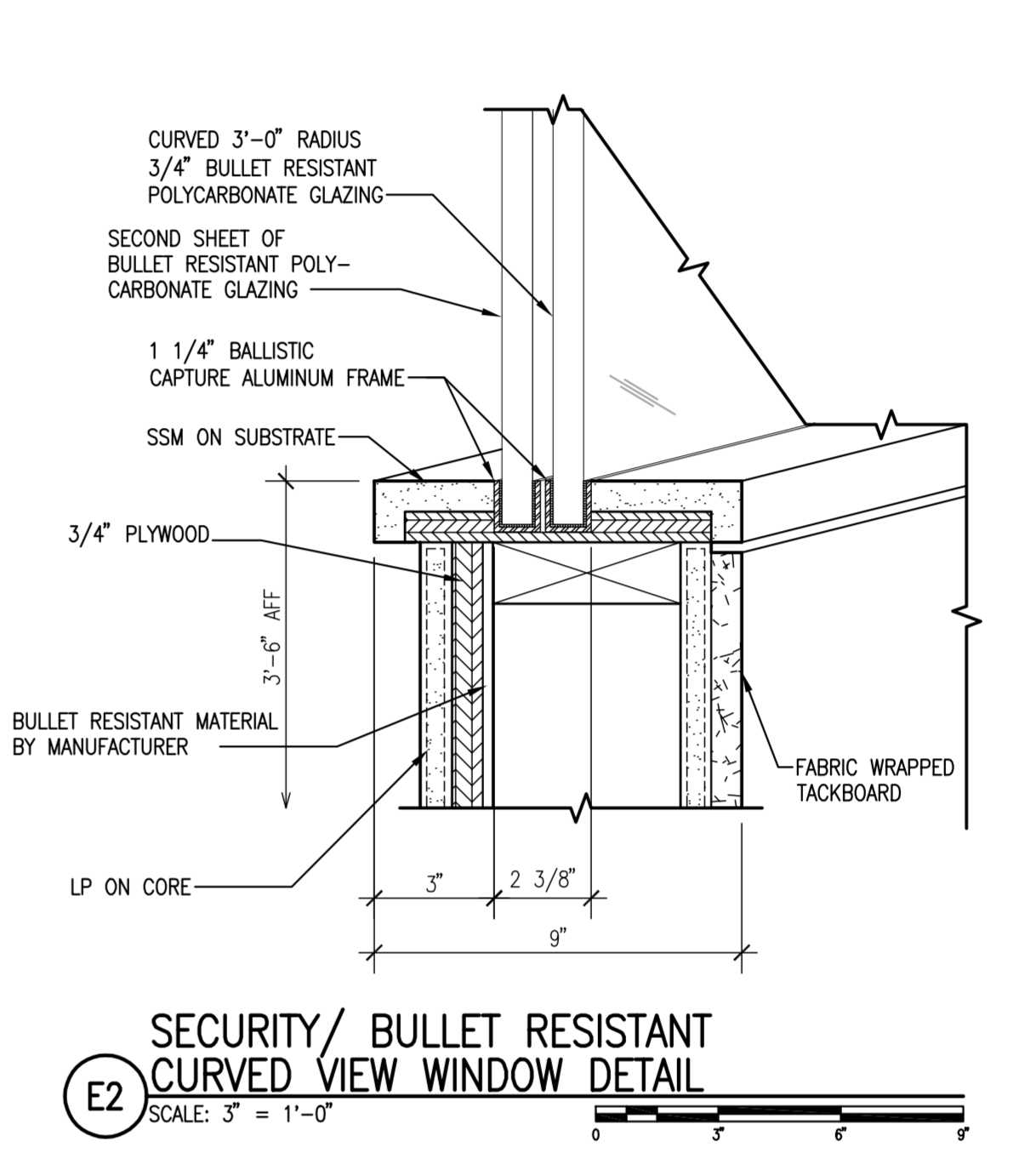
**B2 JAMB DETAIL AT VIEW WINDOW IN GWB PARTITION**  
SCALE: 3" = 1'-0"



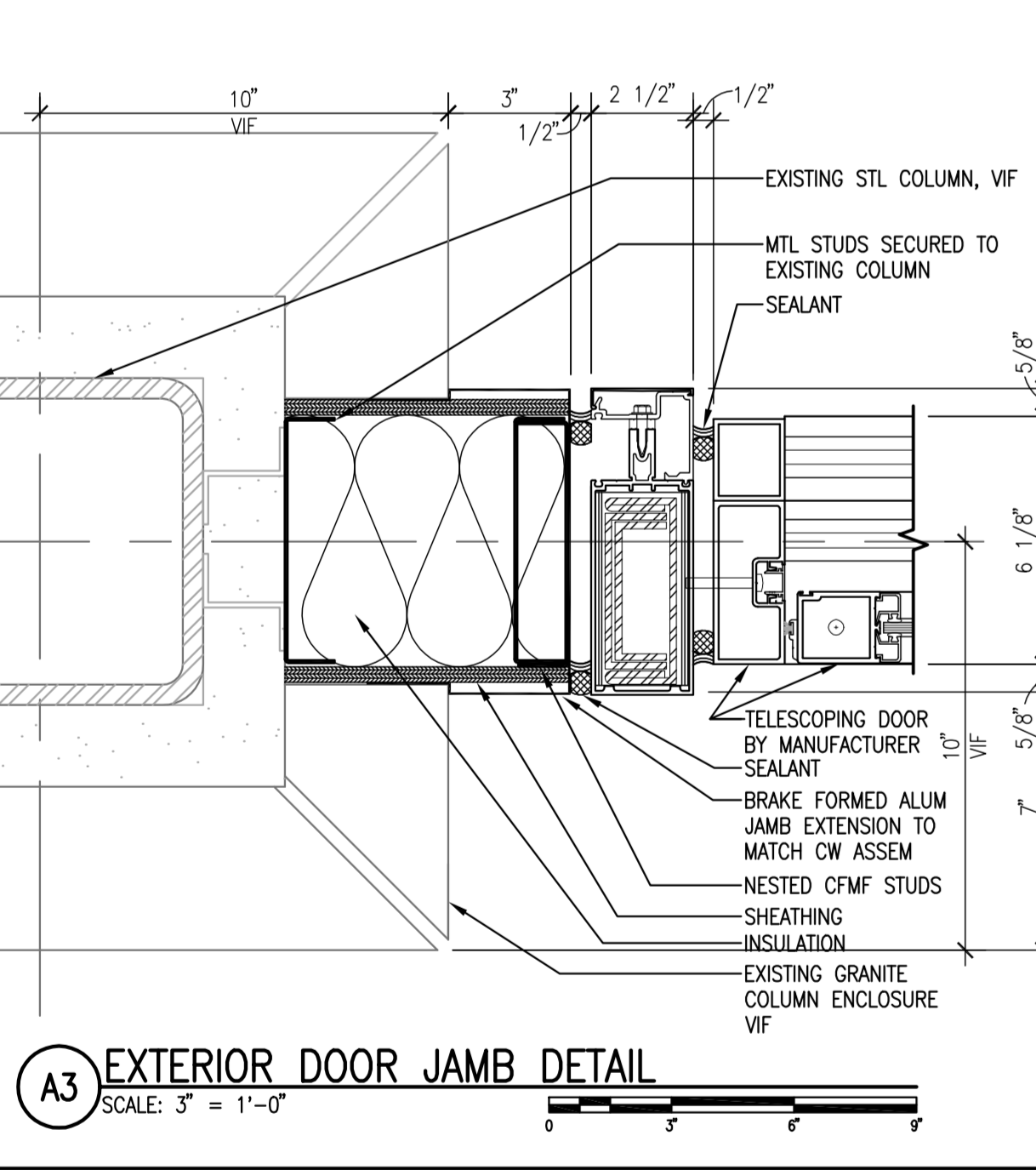
**C2 TELESCOPIC DOOR JAMB DETAIL**  
SCALE: 1-1/2" = 1'-0"



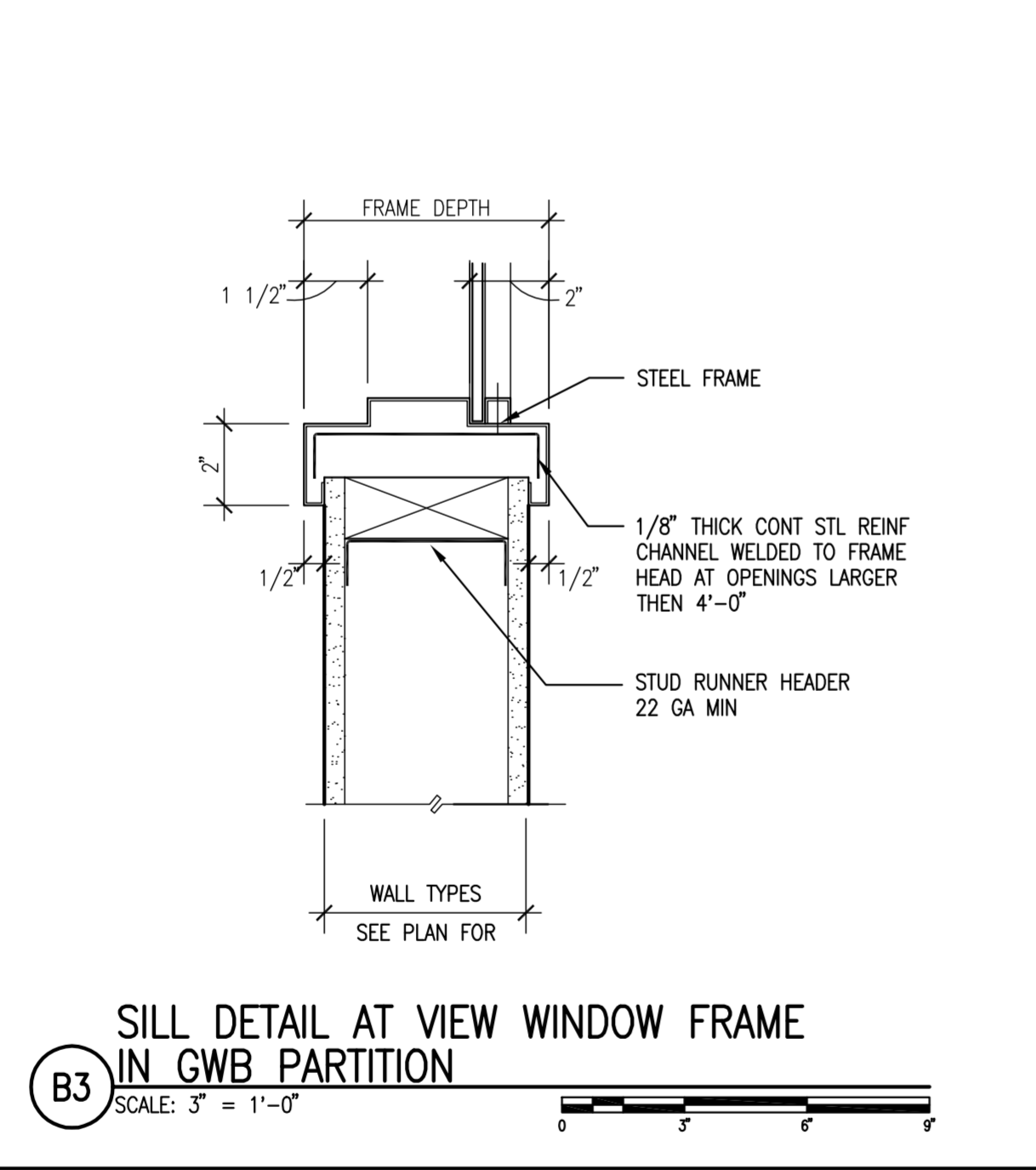
**D2 JAMB DETAIL AT CASSED OPENING (HEAD SIM)**  
SCALE: 3" = 1'-0"



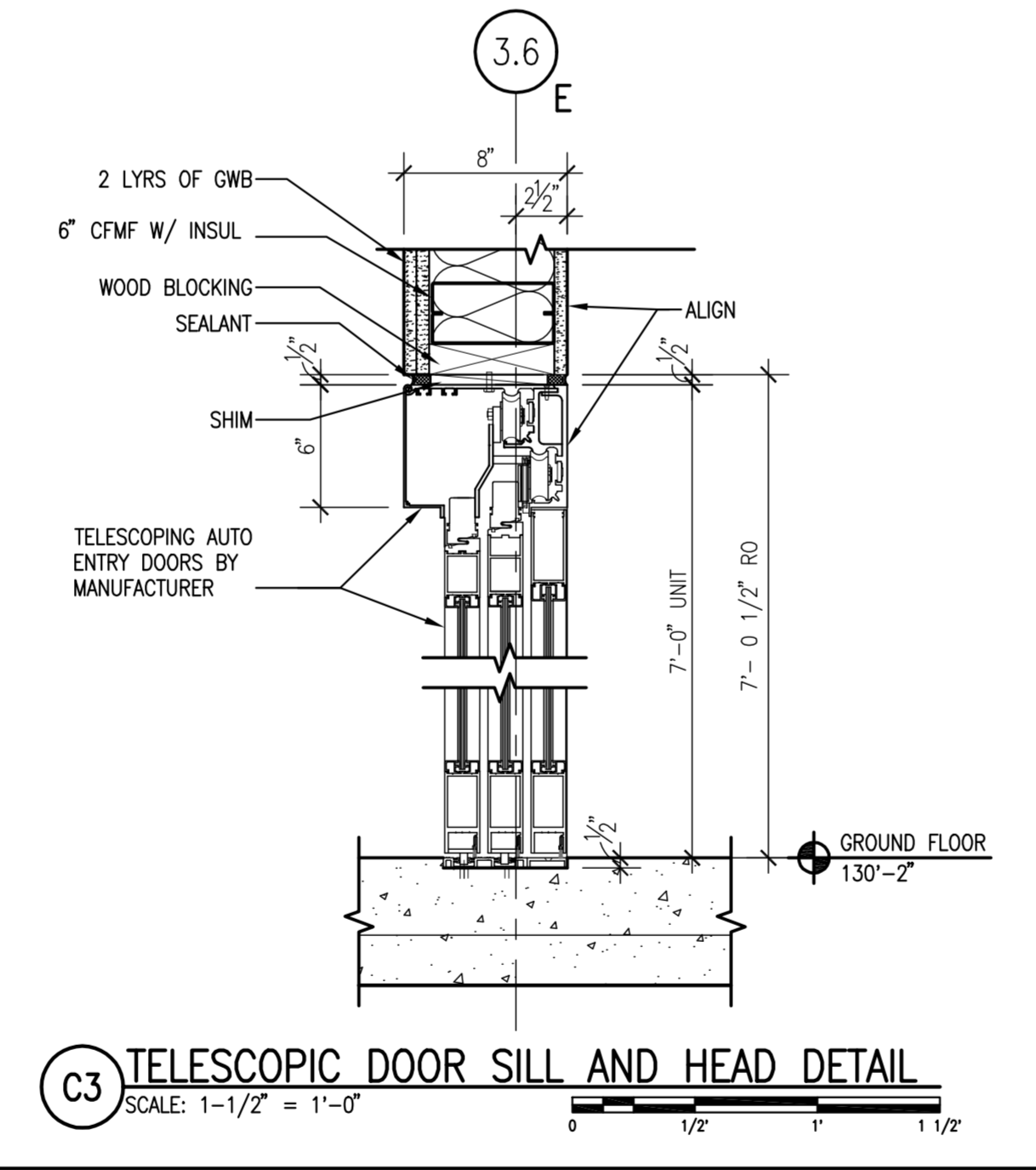
**E2 SECURITY/ BULLET RESISTANT CURVED VIEW WINDOW DETAIL**  
SCALE: 3" = 1'-0"



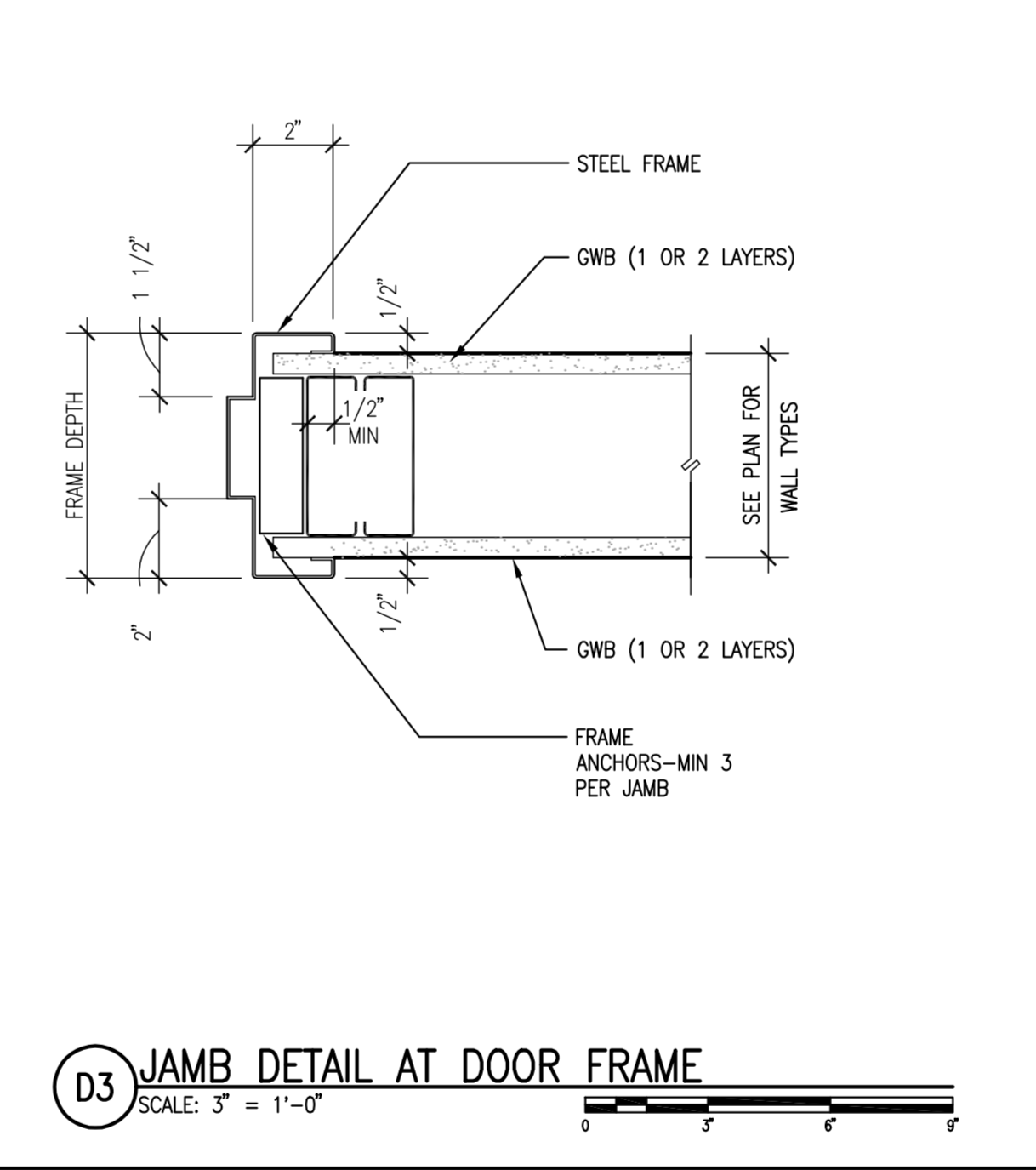
**A3 EXTERIOR DOOR JAMB DETAIL**  
SCALE: 3" = 1'-0"



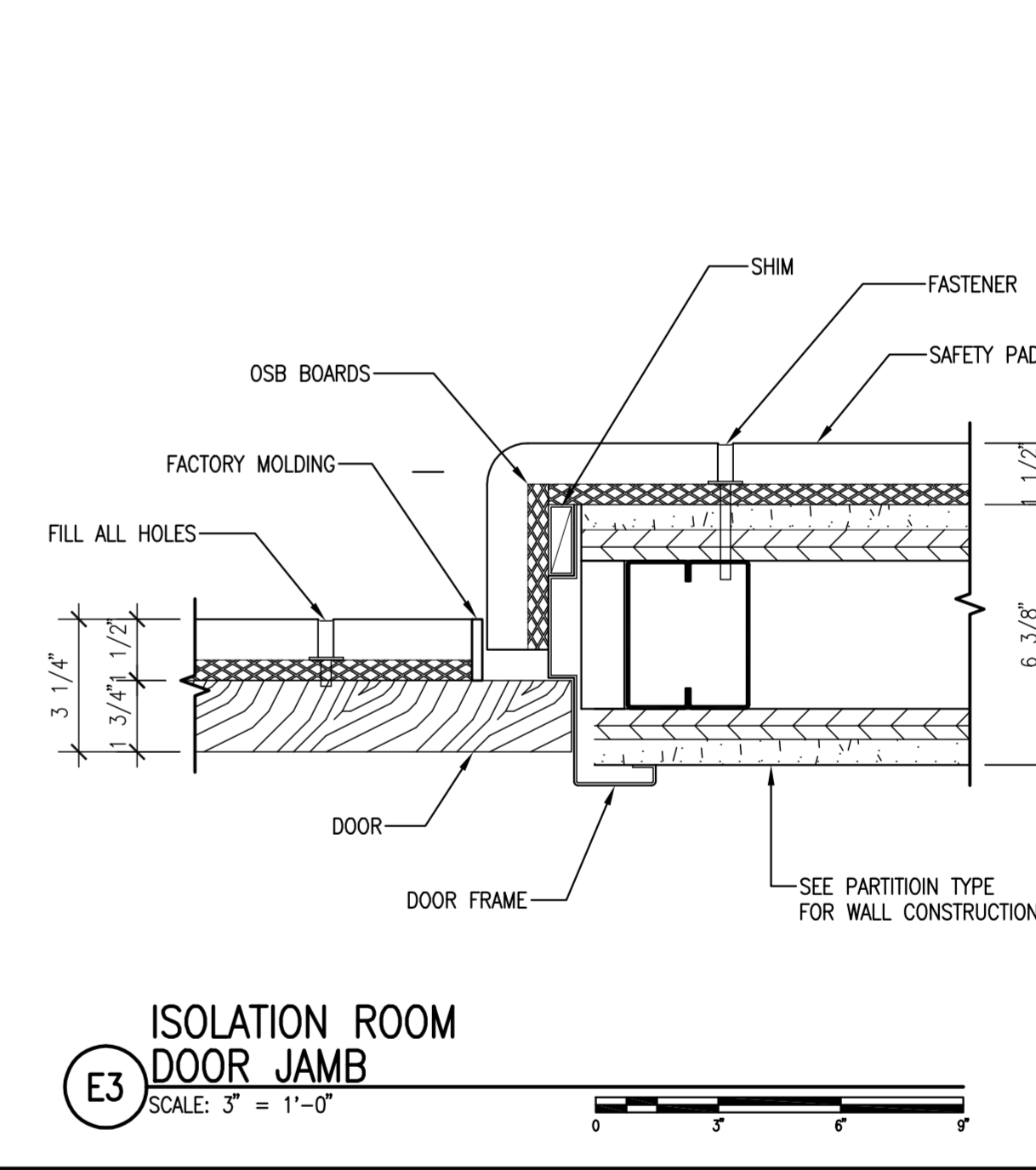
**B3 SILL DETAIL AT VIEW WINDOW FRAME IN GWB PARTITION**  
SCALE: 3" = 1'-0"



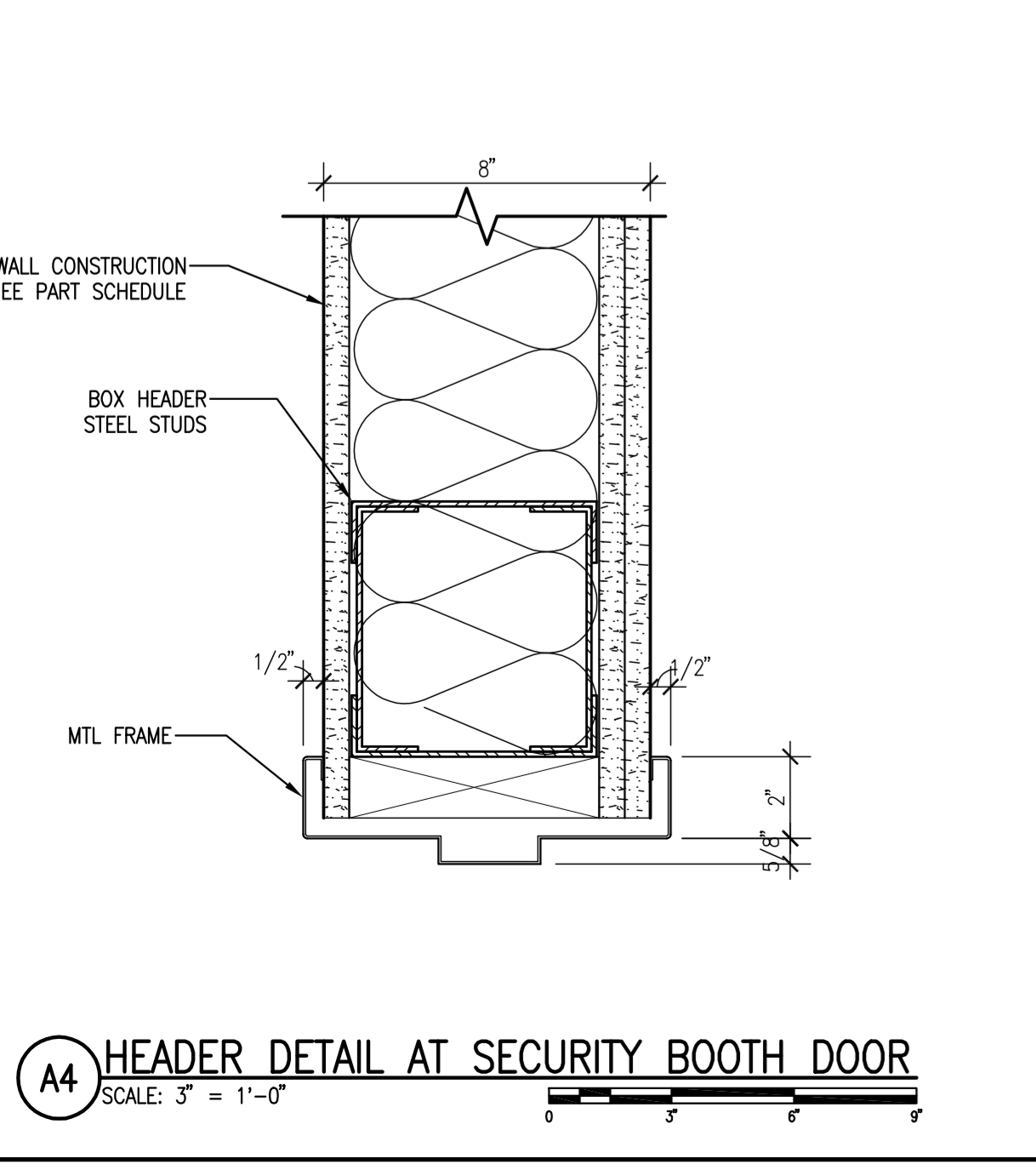
**C3 TELESCOPIC DOOR SILL AND HEAD DETAIL**  
SCALE: 1-1/2" = 1'-0"



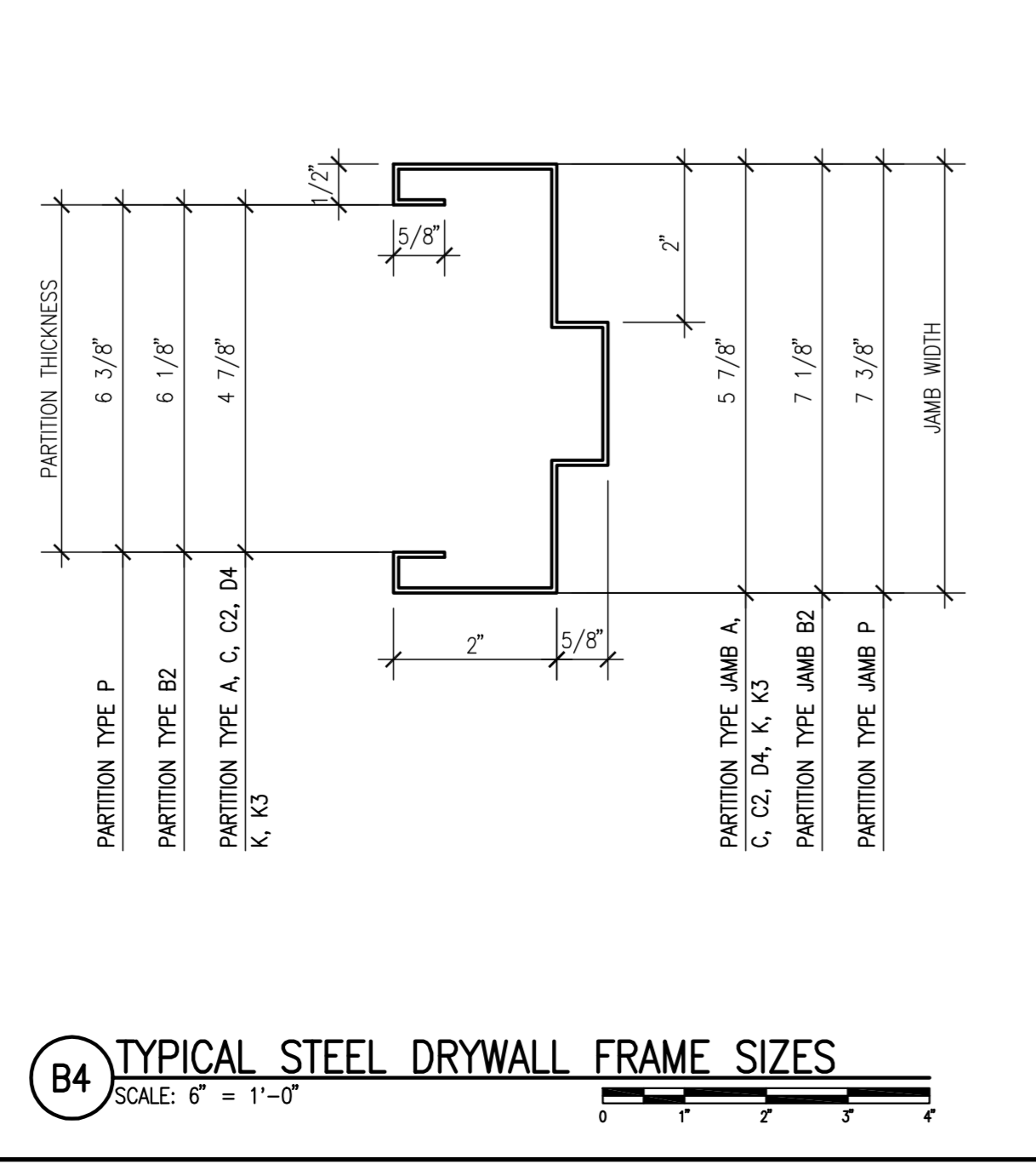
**D3 JAMB DETAIL AT DOOR FRAME**  
SCALE: 3" = 1'-0"



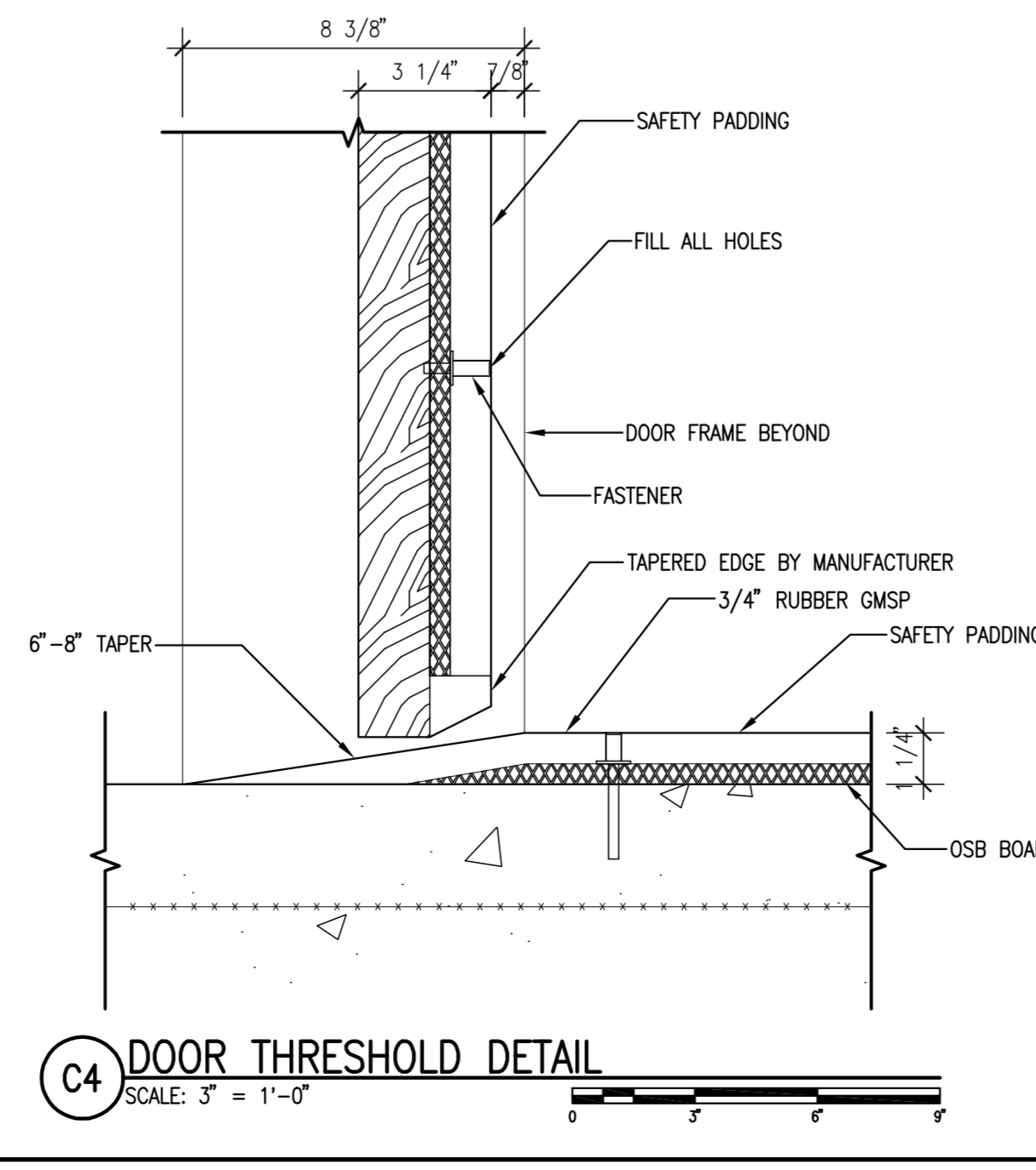
**E3 ISOLATION ROOM DOOR JAMB**  
SCALE: 3" = 1'-0"



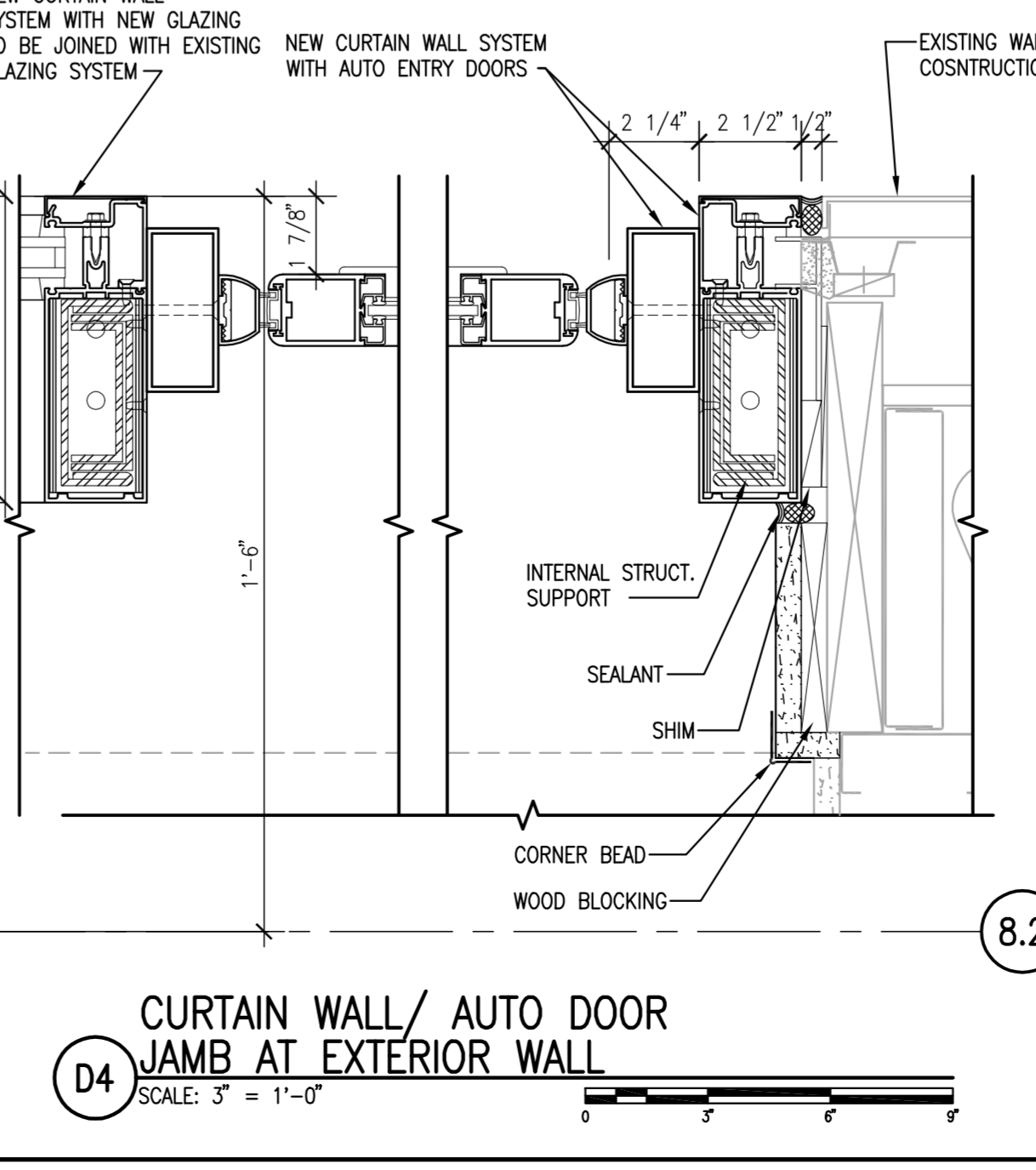
**A4 HEADER DETAIL AT SECURITY BOOTH DOOR**  
SCALE: 3" = 1'-0"



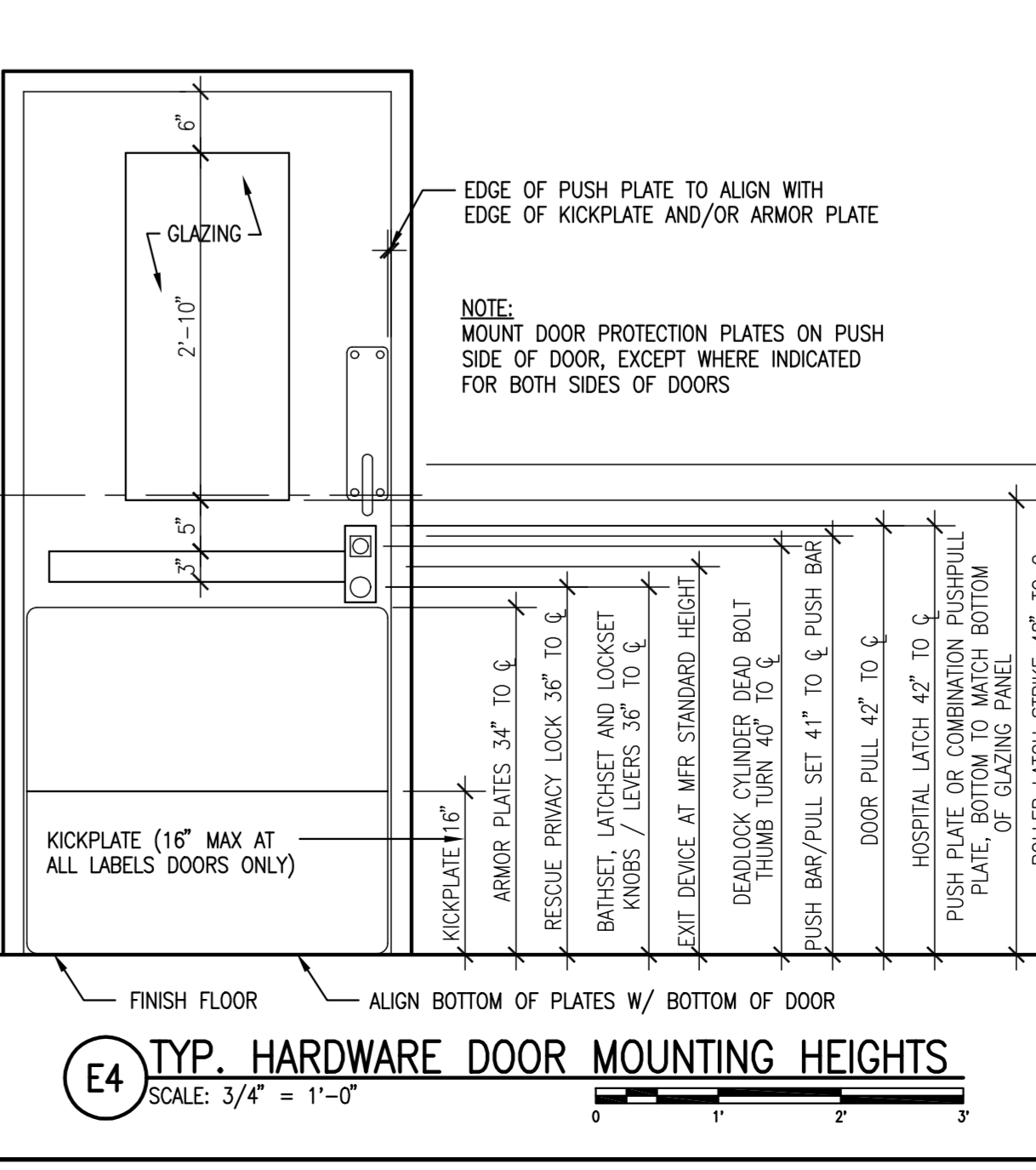
**B4 TYPICAL STEEL DRYWALL FRAME SIZES**  
SCALE: 6" = 1'-0"



**C4 DOOR THRESHOLD DETAIL**  
SCALE: 3" = 1'-0"

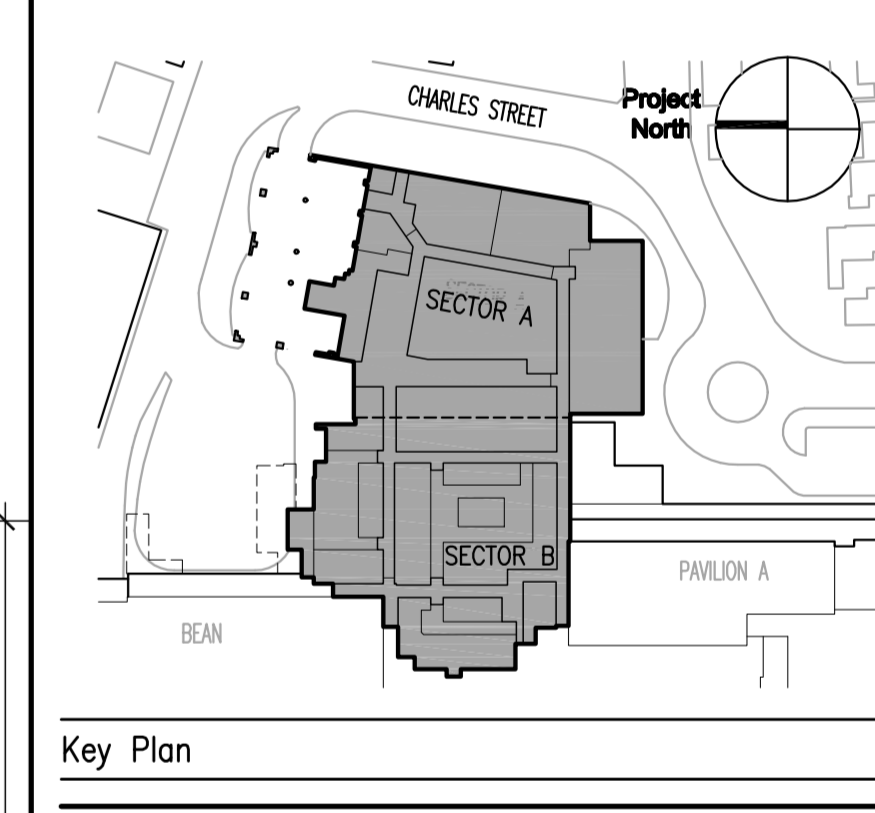


**D4 CURTAIN WALL/ AUTO DOOR JAMB AT EXTERIOR WALL**  
SCALE: 3" = 1'-0"



**E4 TYP. HARDWARE DOOR MOUNTING HEIGHTS**  
SCALE: 3/4" = 1'-0"

MARK	ISSUE DATE	DESCRIPTION
BID	12/14/07	BID SET
Issue Log		



**TRO Jung|Brannen**  
ARCHITECTURE INTERIOR DESIGN ENGINEERING MASTER PLANNING  
22 Boston Wharf Road, Boston, Massachusetts 02210  
Tel: 617.502.8400 Fax: 617.502.3402 www.trojungbrannen.com

**Maine Medical Center**  
ED Expansion and Renovation  
Portland, Maine MMC Project No. 21843

Drawing Title: **DOOR AND VIEW WINDOW DETAILS**

Drawing Scale: KFC Commission No. 4696  
Drawn By: JV Date Issued: 12/14/07  
Approved By: JV

Phase / Package Number: Sheet Number  
**A532**