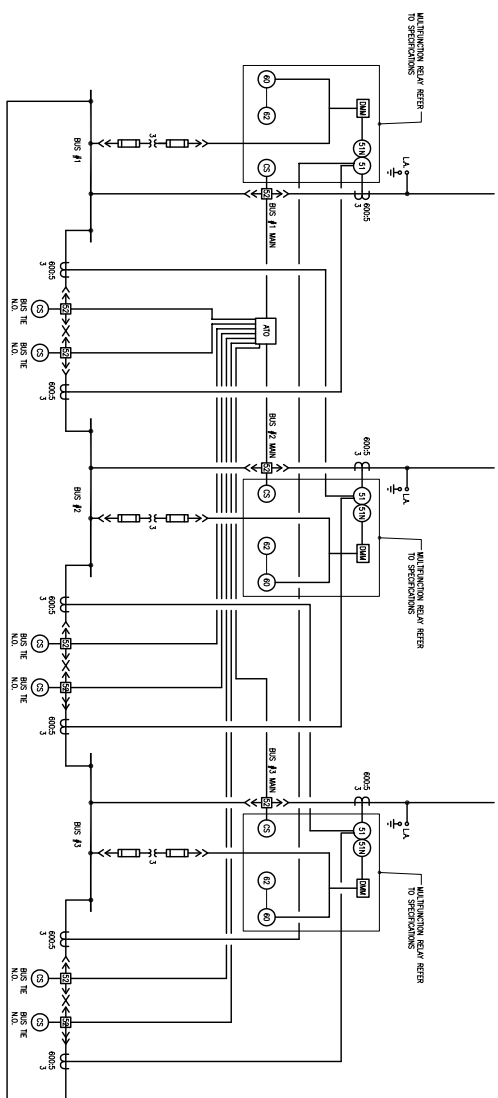


General Notes:
GENERAL NOTES:
 1. SEE SPECIFICATIONS FOR WE-CO RELAY AND METERING REQUIREMENTS.

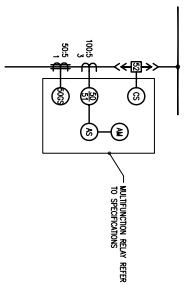
SYMBOL LEGEND:

- 13 SWITCHES
- 14 AMMETER SWITCH
- 15 FREQUENCY METER SWITCH
- 16 SWINGING SWITCH
- 17 VOLTMETER SWITCH
- RESISTIVE BOLTS
- 19 AUTOMATIC SYNCHRONIZER
- 20 MANUAL SYNCHRONIZER
- 21 UNDERVOLTAGE RELAY
- 22 REVERSE POWER RELAY
- 23 INSTANTANEOUS/AC TIME OVERCURRENT RELAY
- 24 GENERATOR GROUND TIME OVERCURRENT RELAY
- 25 GROUND TIME OVERCURRENT RELAY
- 26 VOLTAGE RESTRAINT OVERCURRENT RELAY
- 27 VOLTAGE BALANCE RELAY
- 28 TIME-DELAY RELAY
- 29 OVER/UNDER FREQUENCY RELAY
- 30 MANUAL RESET LOCK-OUT RELAY
- 31 GENERATOR DIFFERENTIAL RELAY
- METERS
- 32 AMMETER
- 33 FREQUENCY METER
- 34 POWER FACTOR METER
- 35 VOLTAGE METER
- 36 WATT METER
- INSTALLED
- 37 GENERATOR
- 38 GROUND POTENTIAL TRANSFORMER
- 39 CURRENT TRANSFORMER
- 40 MEDIUM VOLTAGE VACUUM CIRCUIT BREAKER
- 41 NEUTRAL GROUNDING RESISTOR
- 42 SHUNT AMMETER(S)

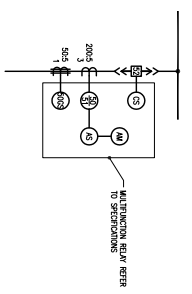
1 NEW 15 KV MAIN SWITCHGEAR RELAYING FOR MAIN BREAKERS AND THE BREAKERS
 SCALE: NONE



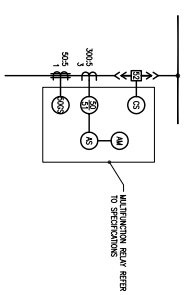
2 NEW 15 KV MAIN SWITCHGEAR RELAYING FOR DISTRIBUTION BREAKERS (TYPICAL)
 SCALE: NONE



3 NEW 15 KV MAIN SWITCHGEAR RELAYING FOR DISTRIBUTION BREAKERS (TYPICAL)
 SCALE: NONE

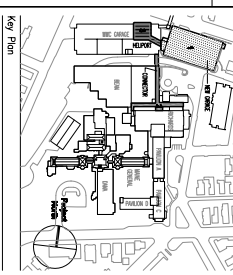


4 NEW 15 KV MAIN SWITCHGEAR RELAYING FOR DISTRIBUTION BREAKERS (TYPICAL)
 SCALE: NONE



MARK	ISSUE DATE	DESCRIPTION

REVISION	DATE	DESCRIPTION
1	09/14/24	ISSUE SET
2	09/26/24	ISSUE SET



TRO
 A ARCHITECTURE
 PLANNING
 ENGINEERING
 INTERIORS
 THE TRUCK COMPANY
 60 RIVER STREET
 PORTLAND, ME 04101
 TEL: 603.761.1100
 WWW.TROARCHITECTS.COM

Maine Medical Center
 Pkg F - Garage / Vault / Conn / Helipad
 Portland, ME
 MMC Project No. 21845

ELECTRICAL RELAYING AND METERING WIRING DIAGRAM

Project No. 4878
 Scale: NONE
 Date: 09/26/24
 Designer: JG
 Checker: JG
 Title: ELECTRICAL RELAYING AND METERING WIRING DIAGRAM
E602