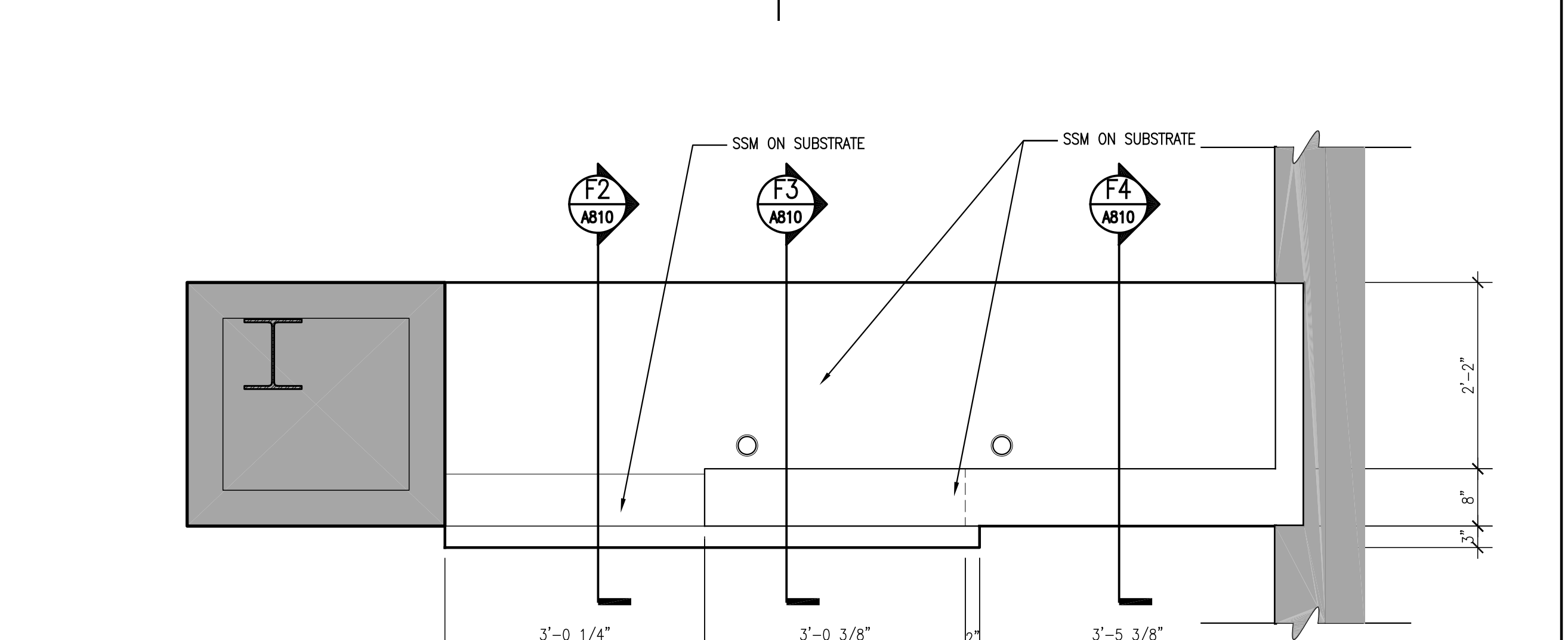
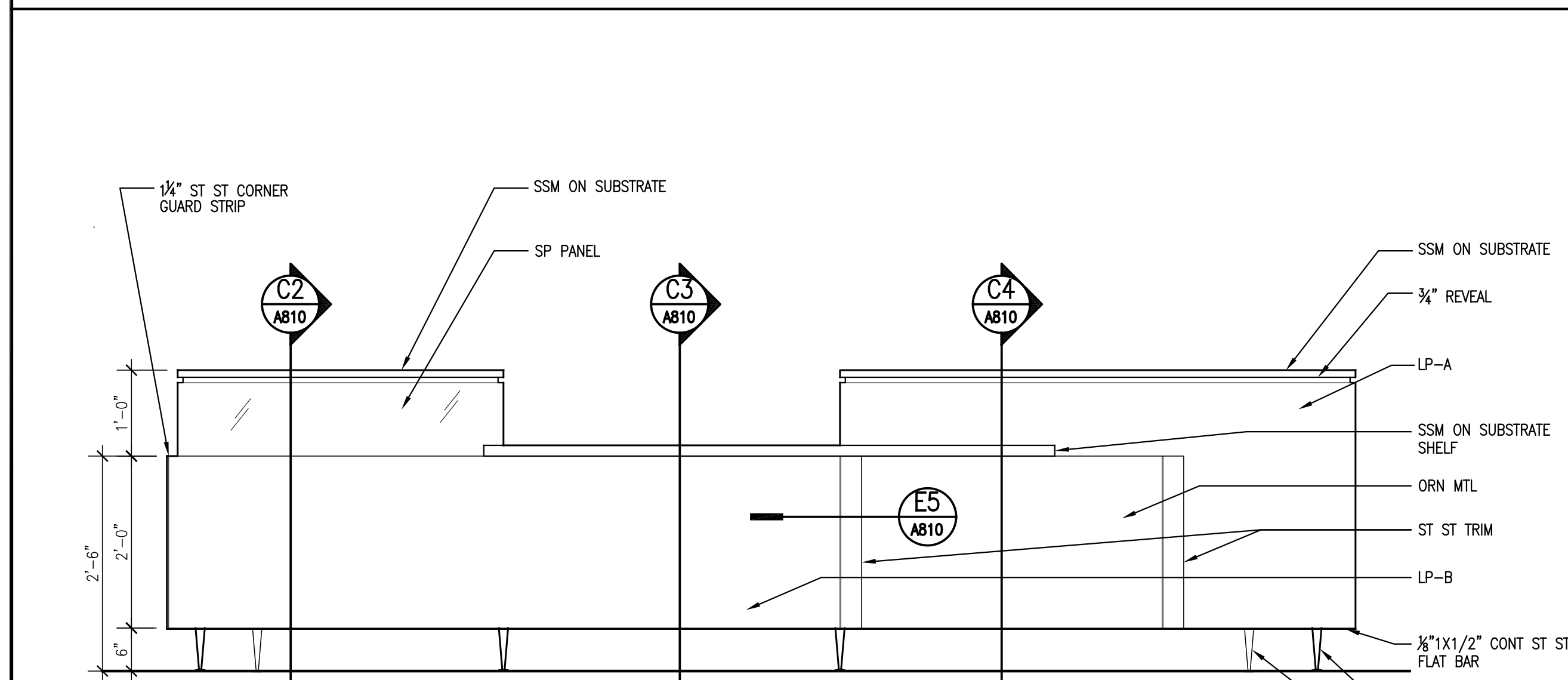


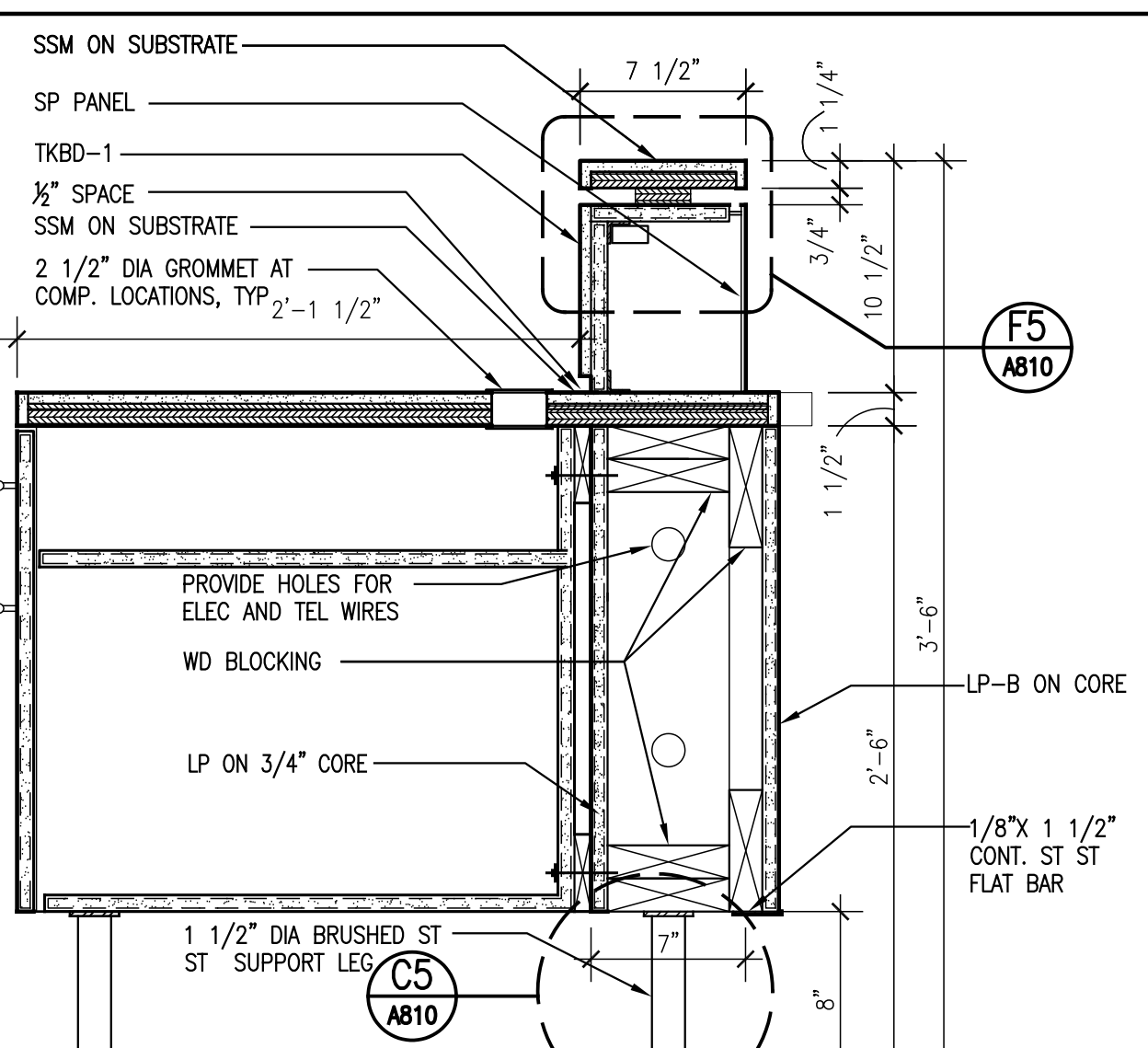
A1 PLAN- MAIN RECEPTION AT RCPT G007-L0
SCALE: 3/4" = 1'-0"



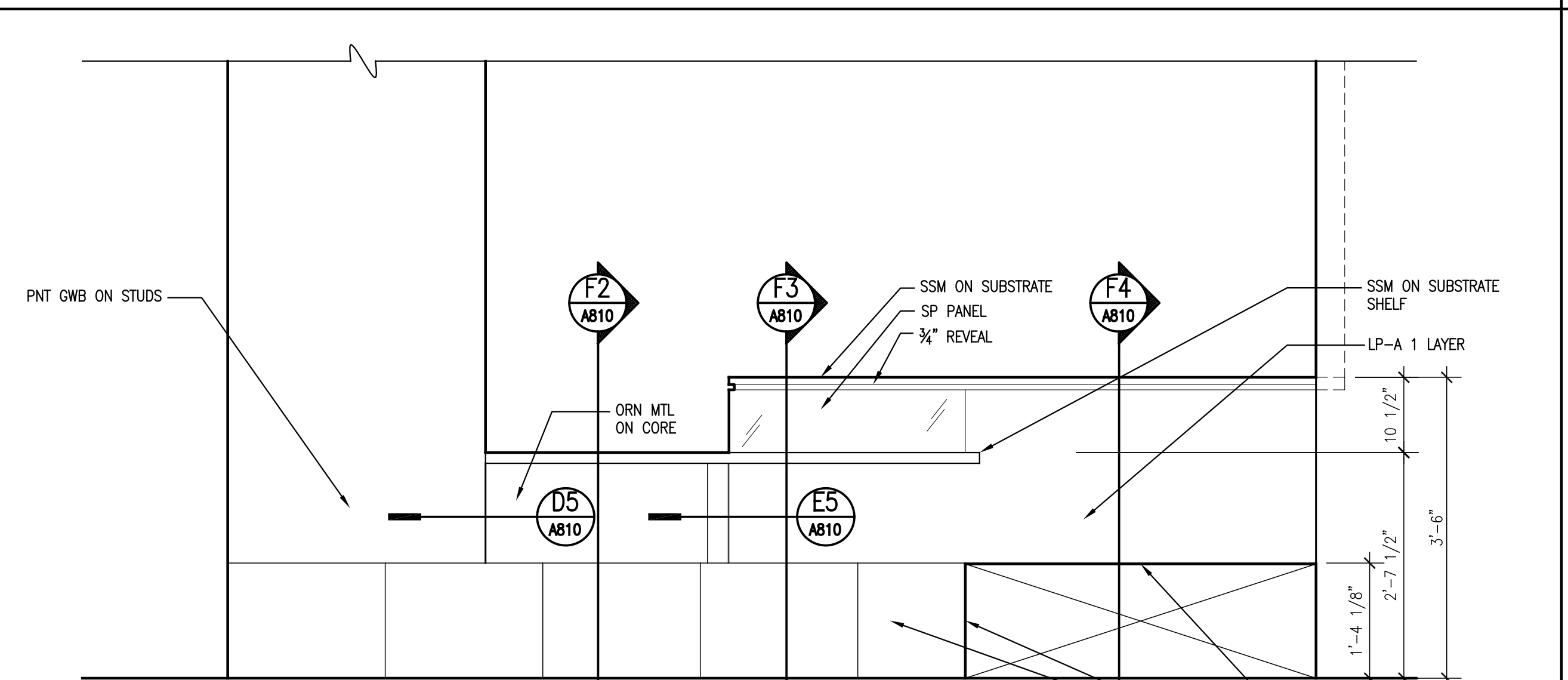
D1 PLAN- SIDE RECEPTION AT RCPT G007-L0
SCALE: 3/4" = 1'-0"



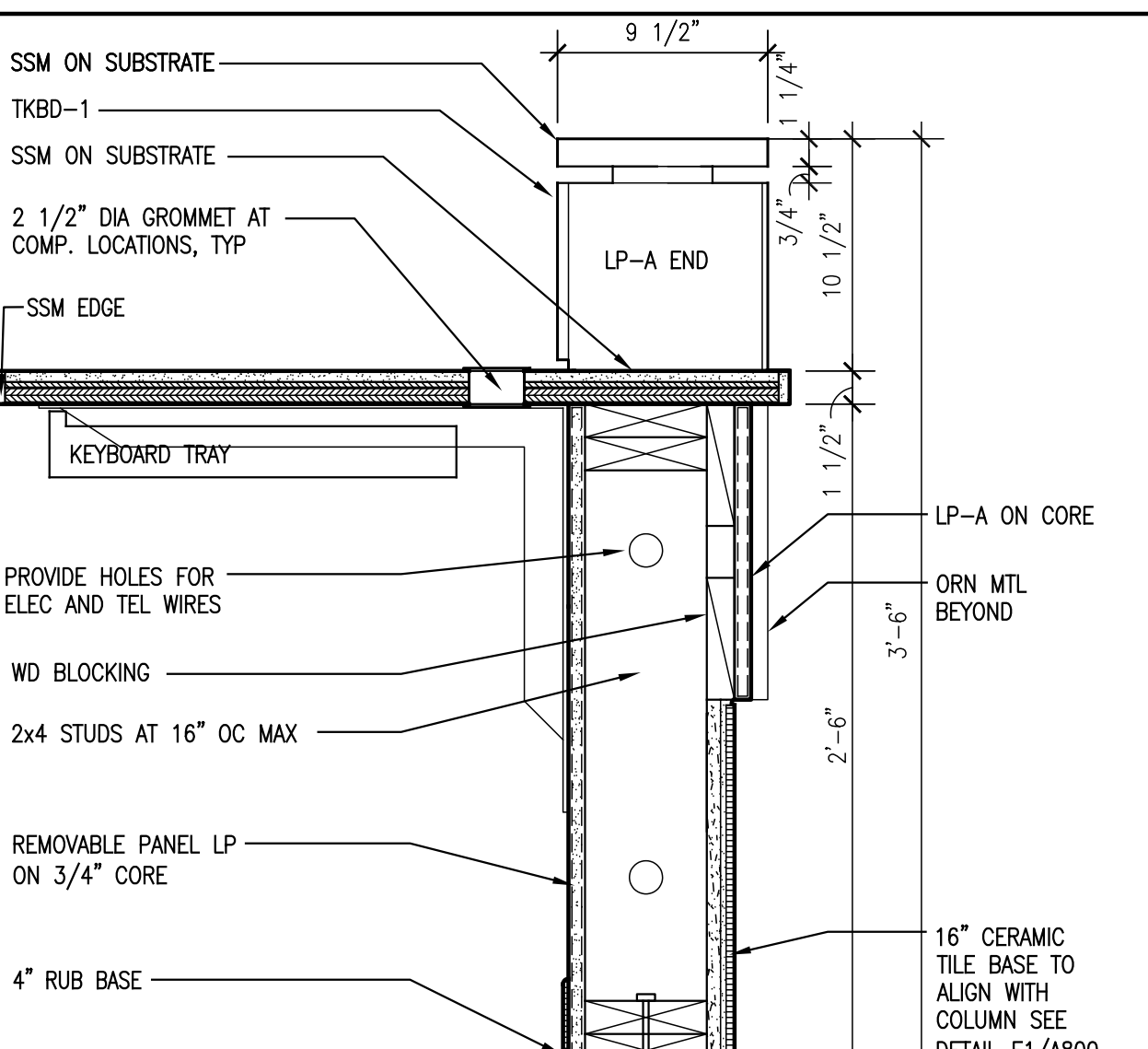
A2 ELEVATION - MAIN RECEPTION AT RCPT G007-L0
SCALE: 3/4" = 1'-0"



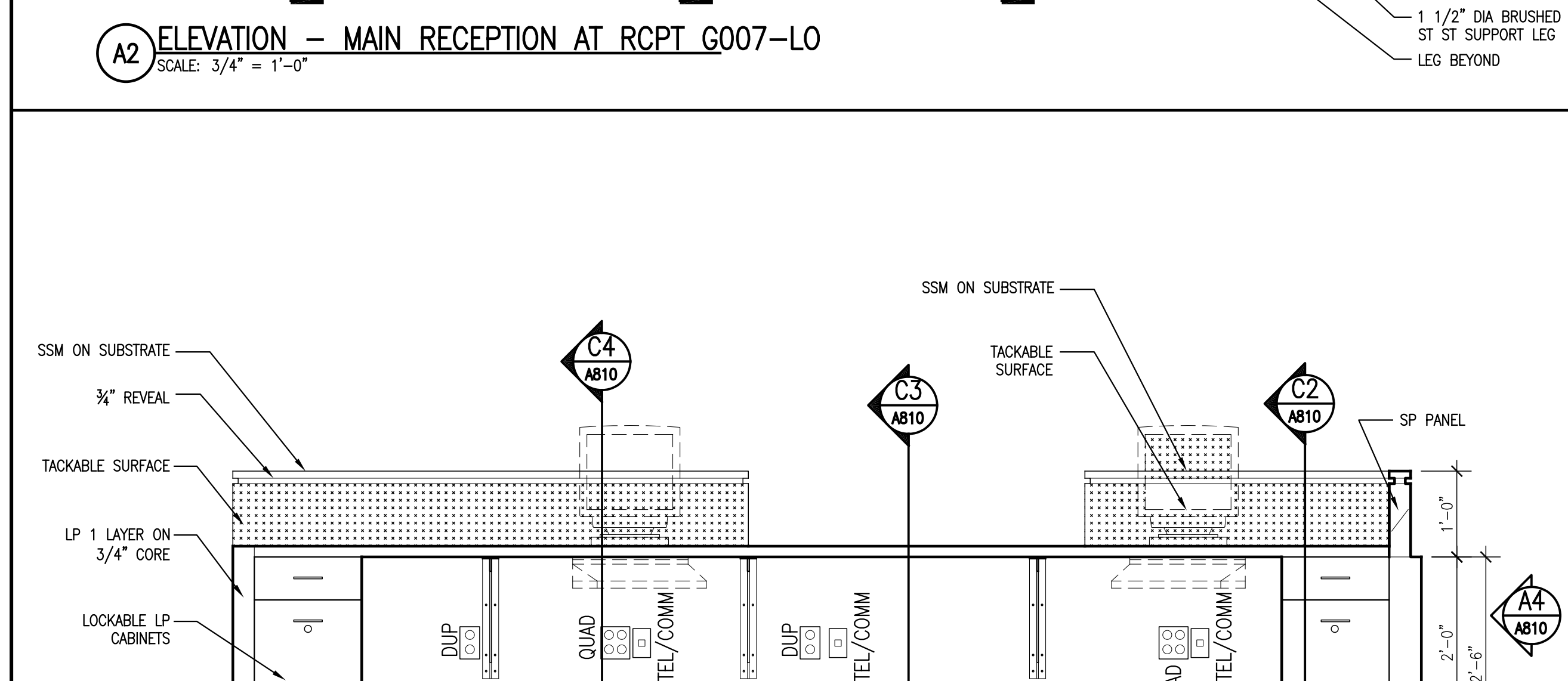
C2 MAIN RECEPTION DESK WITH TRANSACTION
SCALE: 1 1/2" = 1'-0"



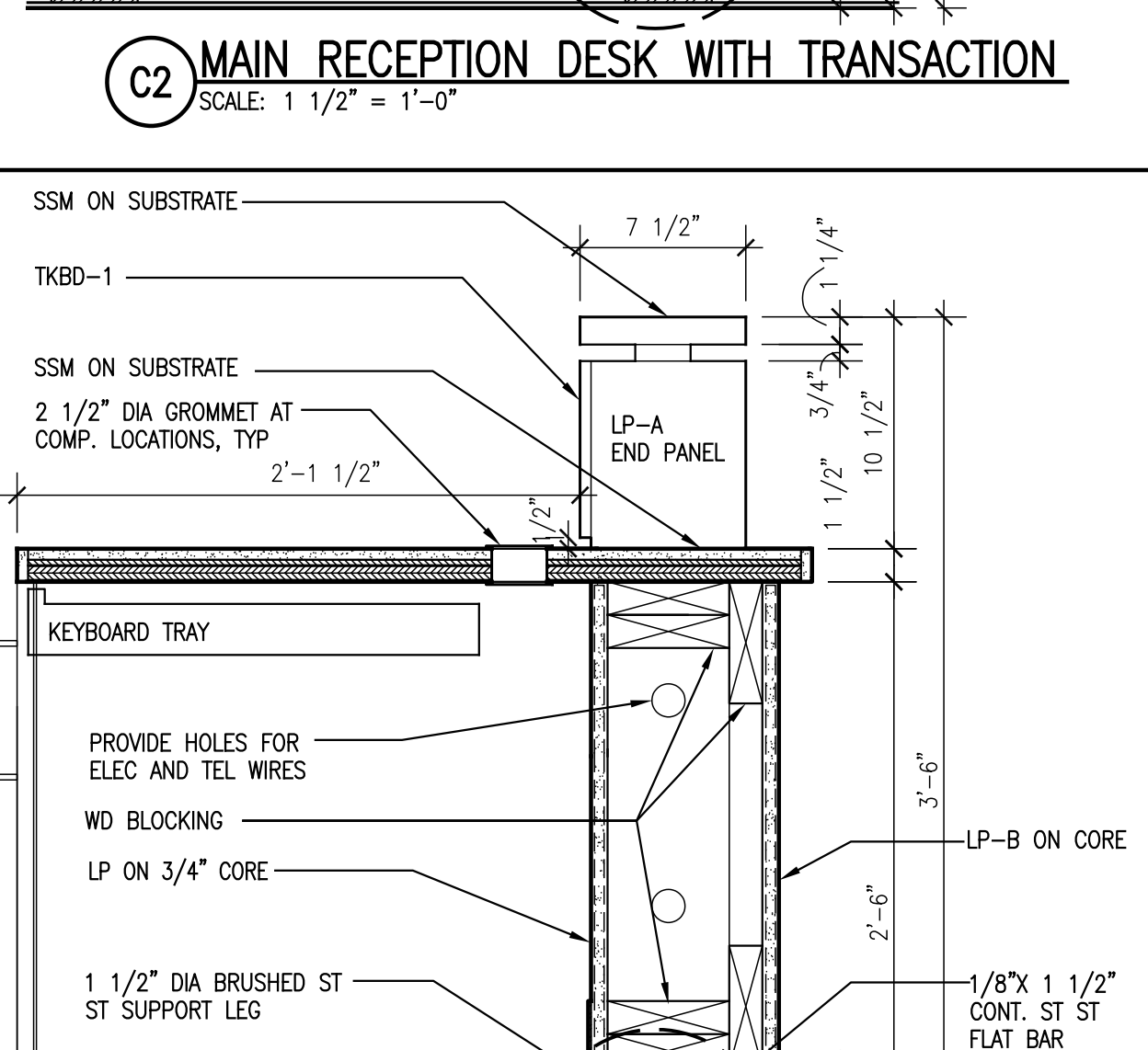
D2 PLAN- SIDE RECEPTION AT RCPT G007-L0
SCALE: 3/4" = 1'-0"



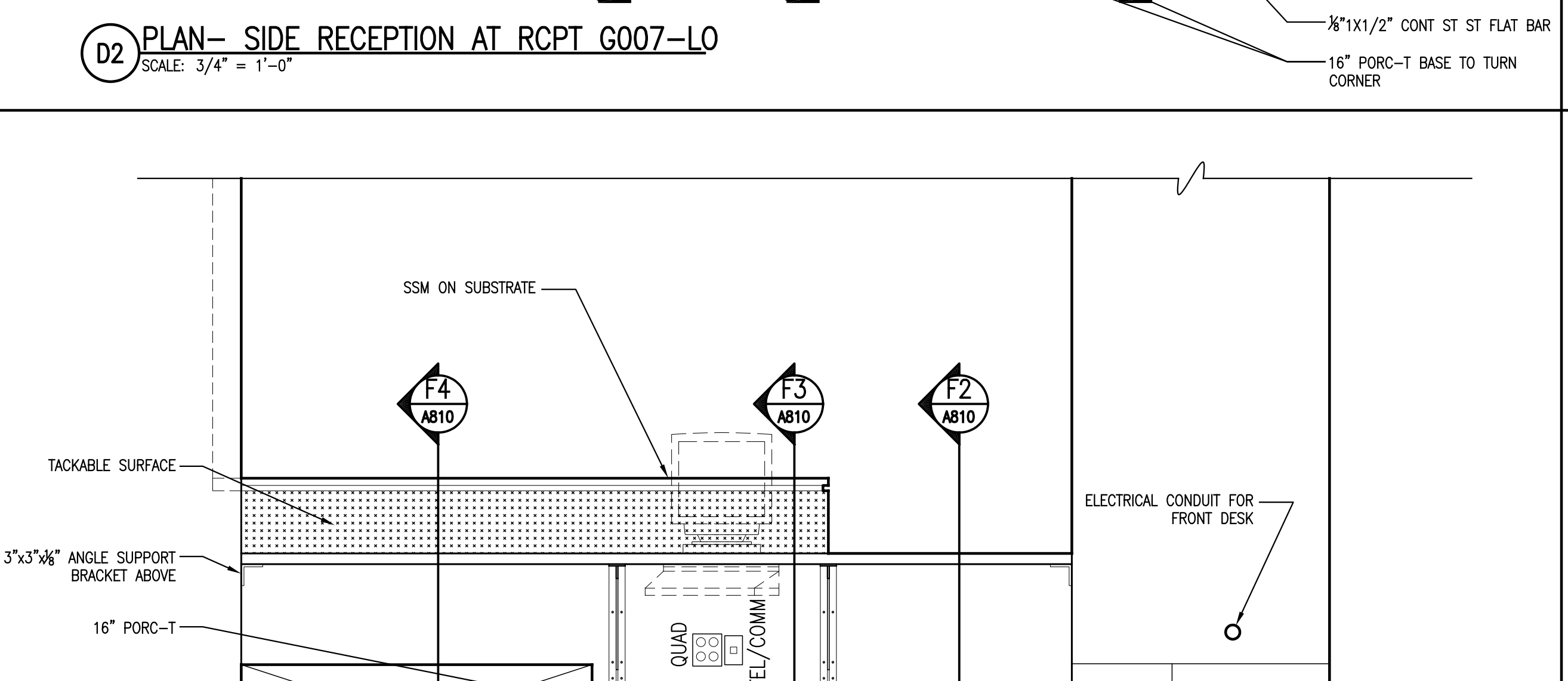
F2 SIDE RECEPTION DESK WITH TRANSACTION
SCALE: 1 1/2" = 1'-0"



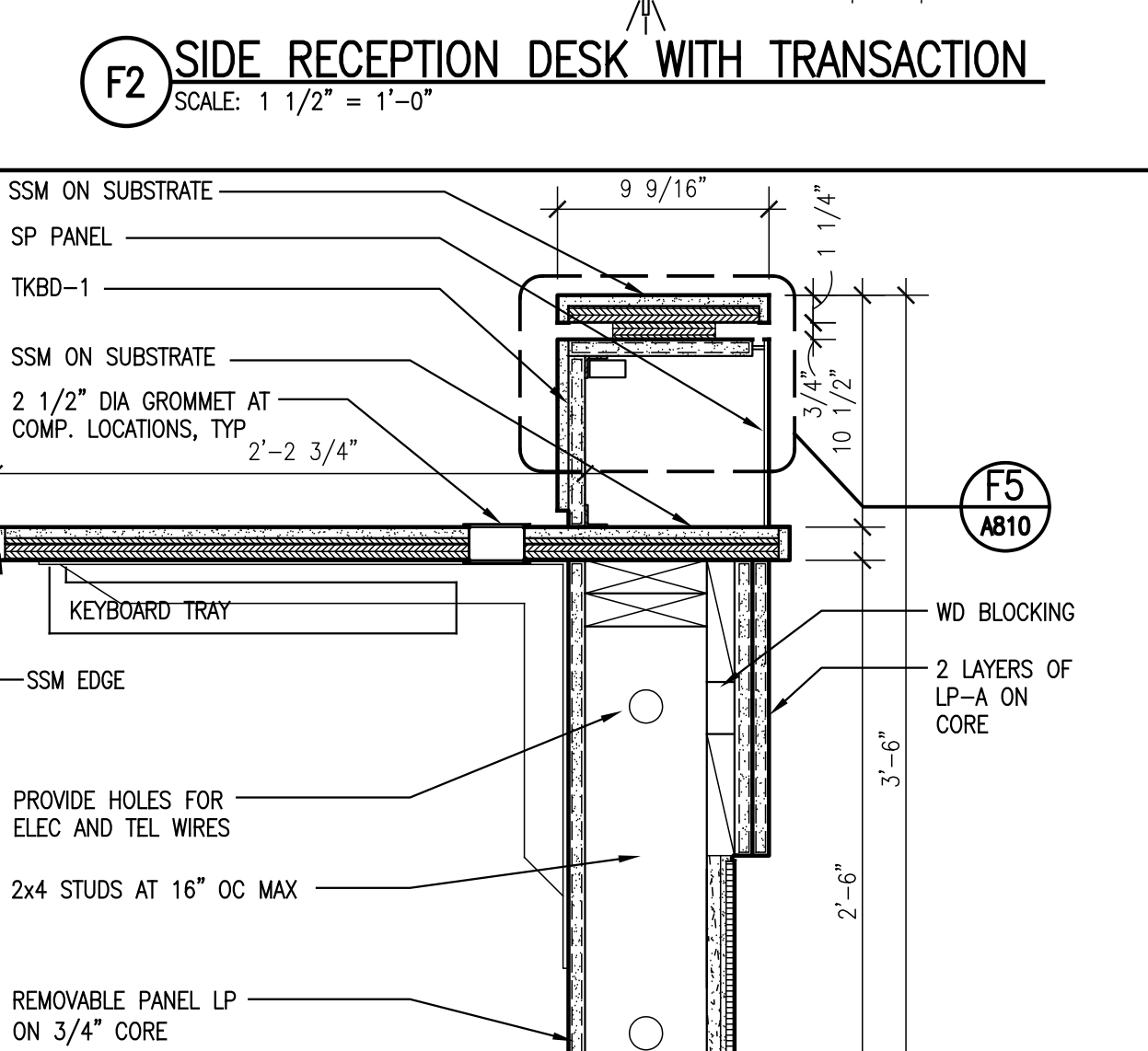
A3 ELEVATION - MAIN RECEPTION AT RCPT G007-L0
SCALE: 3/4" = 1'-0"



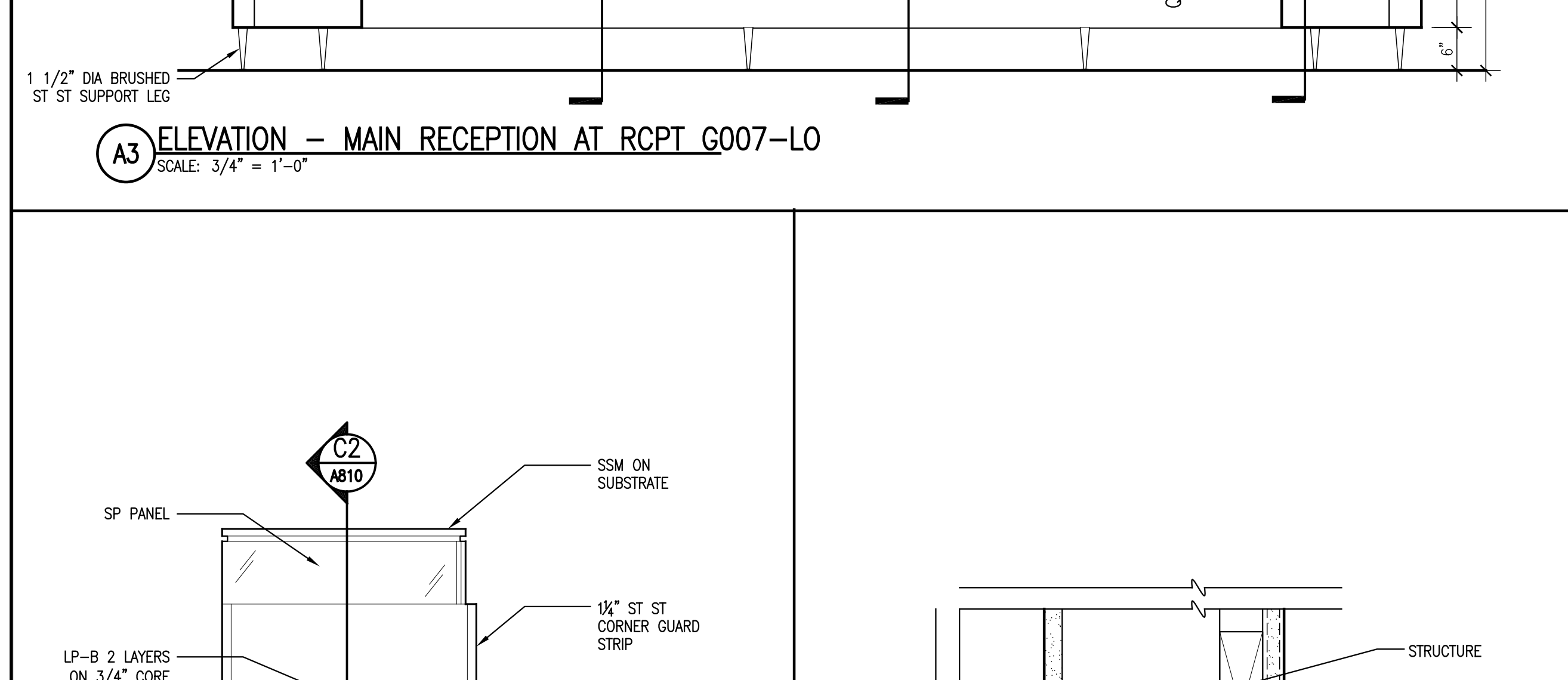
C3 MAIN RECEPTION DESK WITH TRANSACTION
SCALE: 1 1/2" = 1'-0"



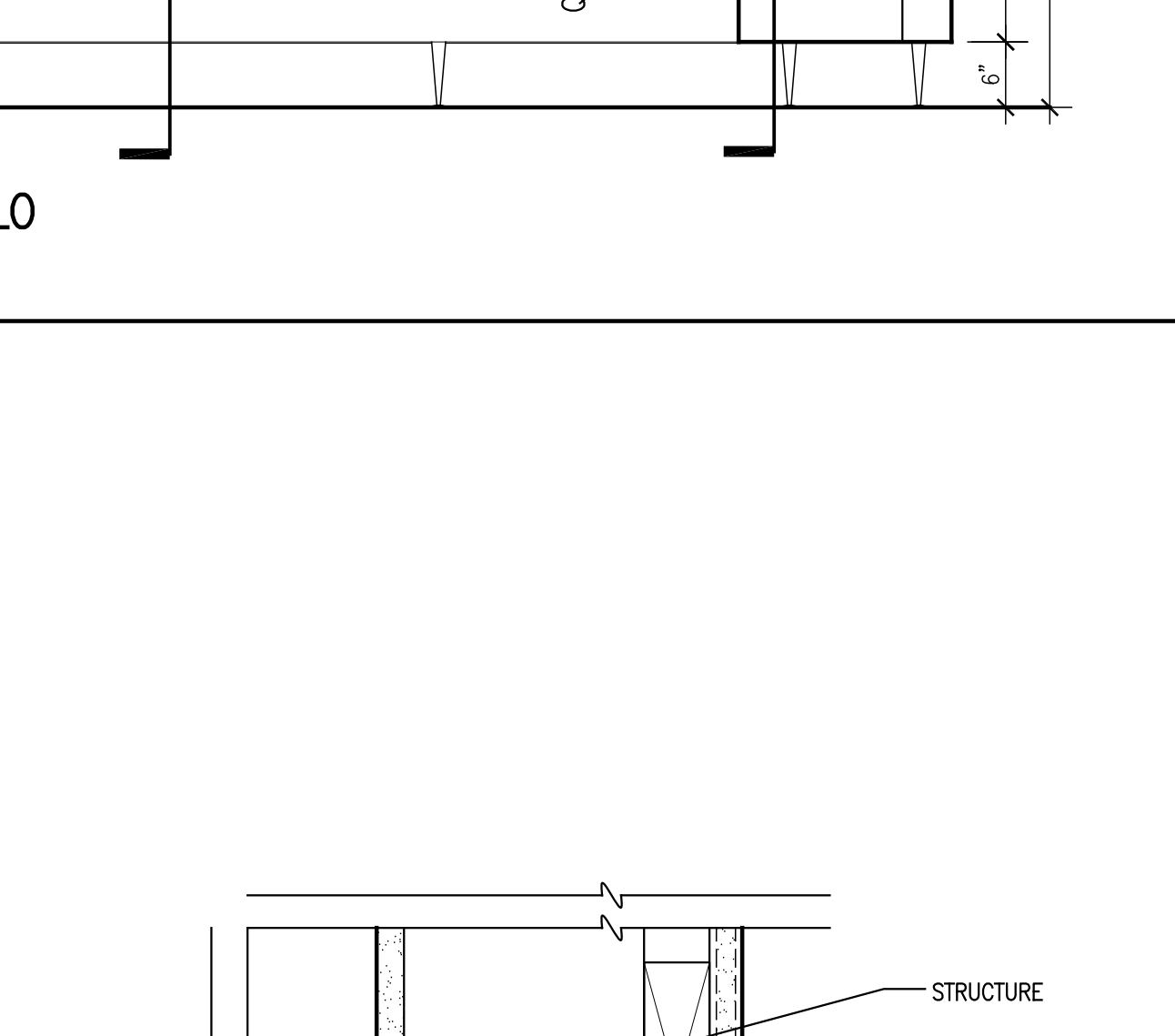
D3 PLAN- SIDE RECEPTION AT RCPT G007-L0
SCALE: 3/4" = 1'-0"



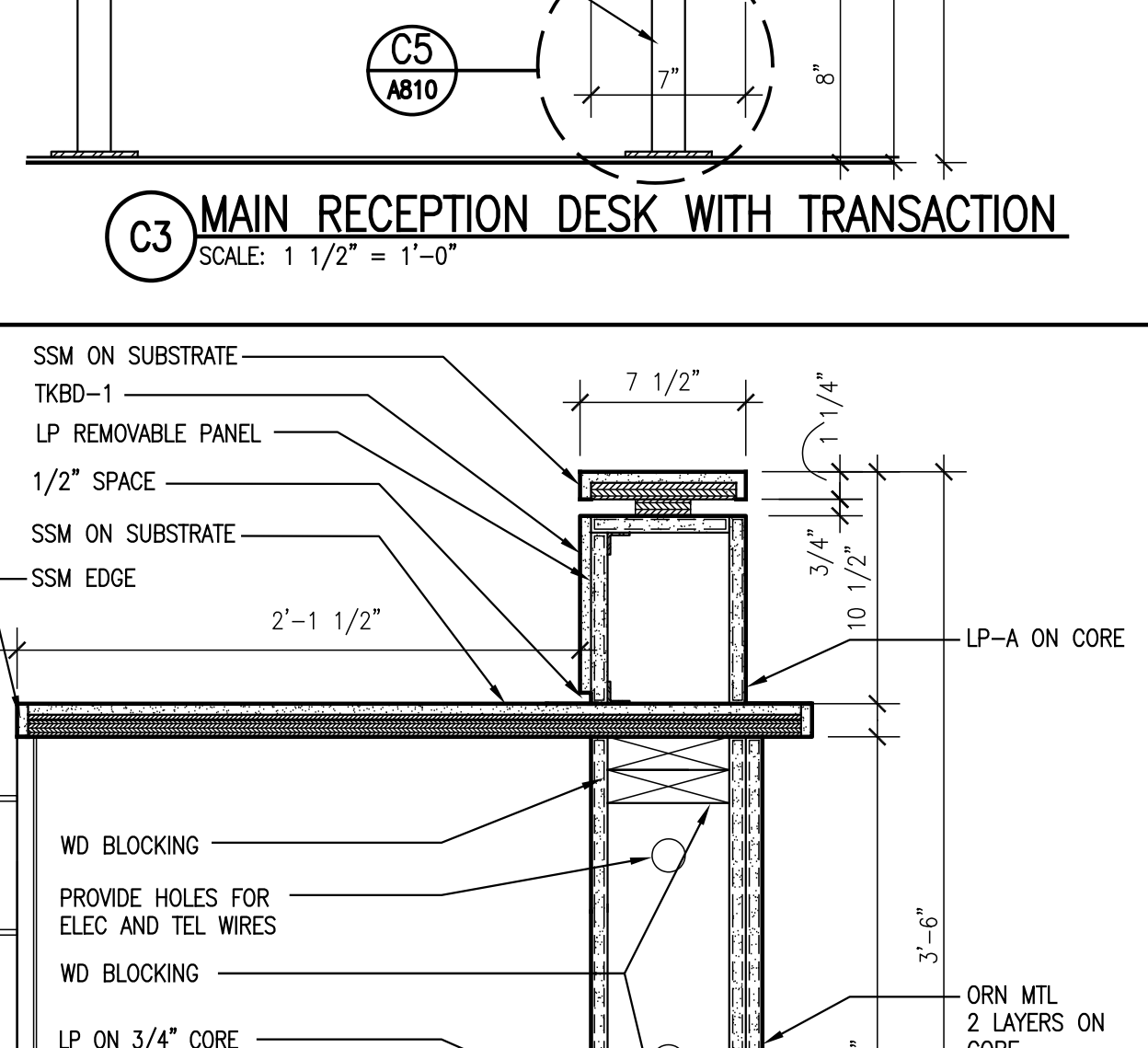
F3 SIDE RECEPTION DESK WITH TRANSACTION
SCALE: 1 1/2" = 1'-0"



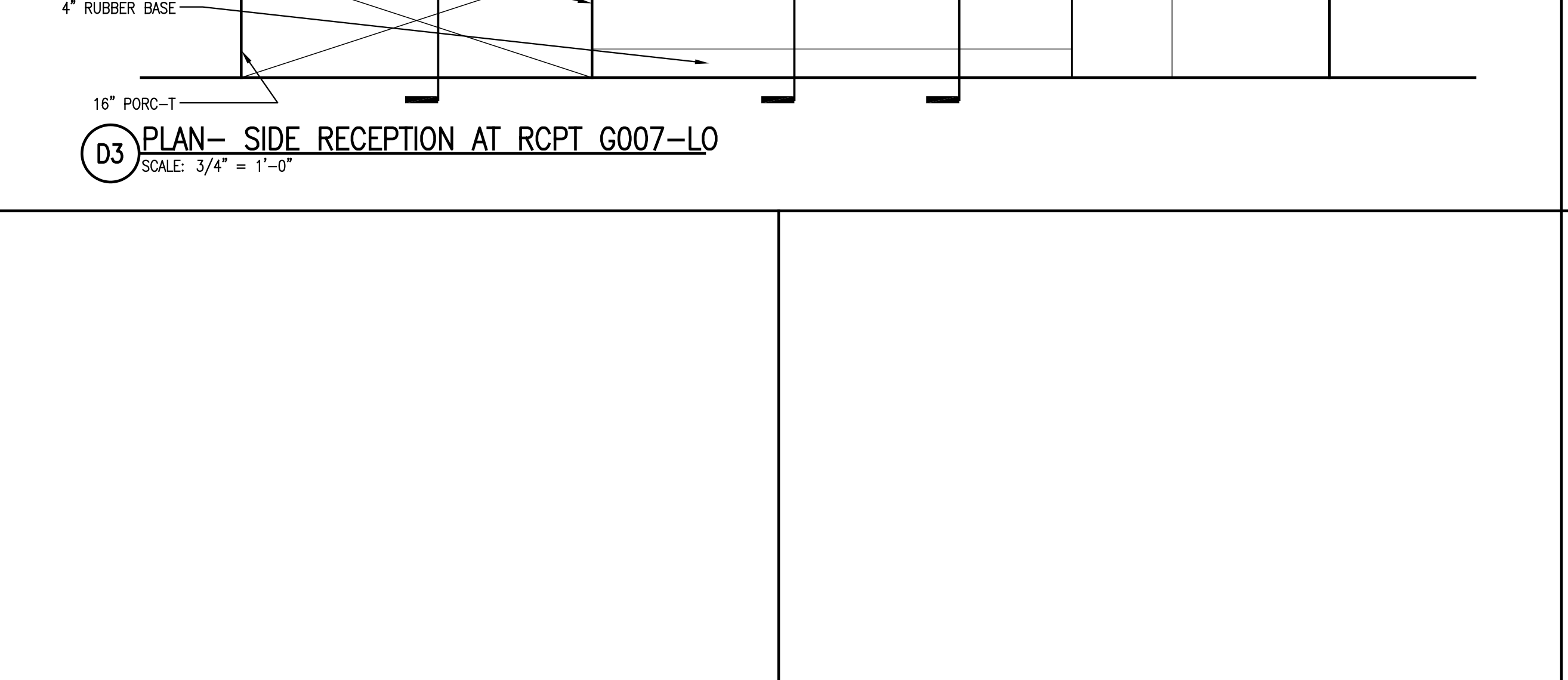
A4 ELEVATION - MAIN RECEPTION AT RCPT G007-L0
SCALE: 3/4" = 1'-0"



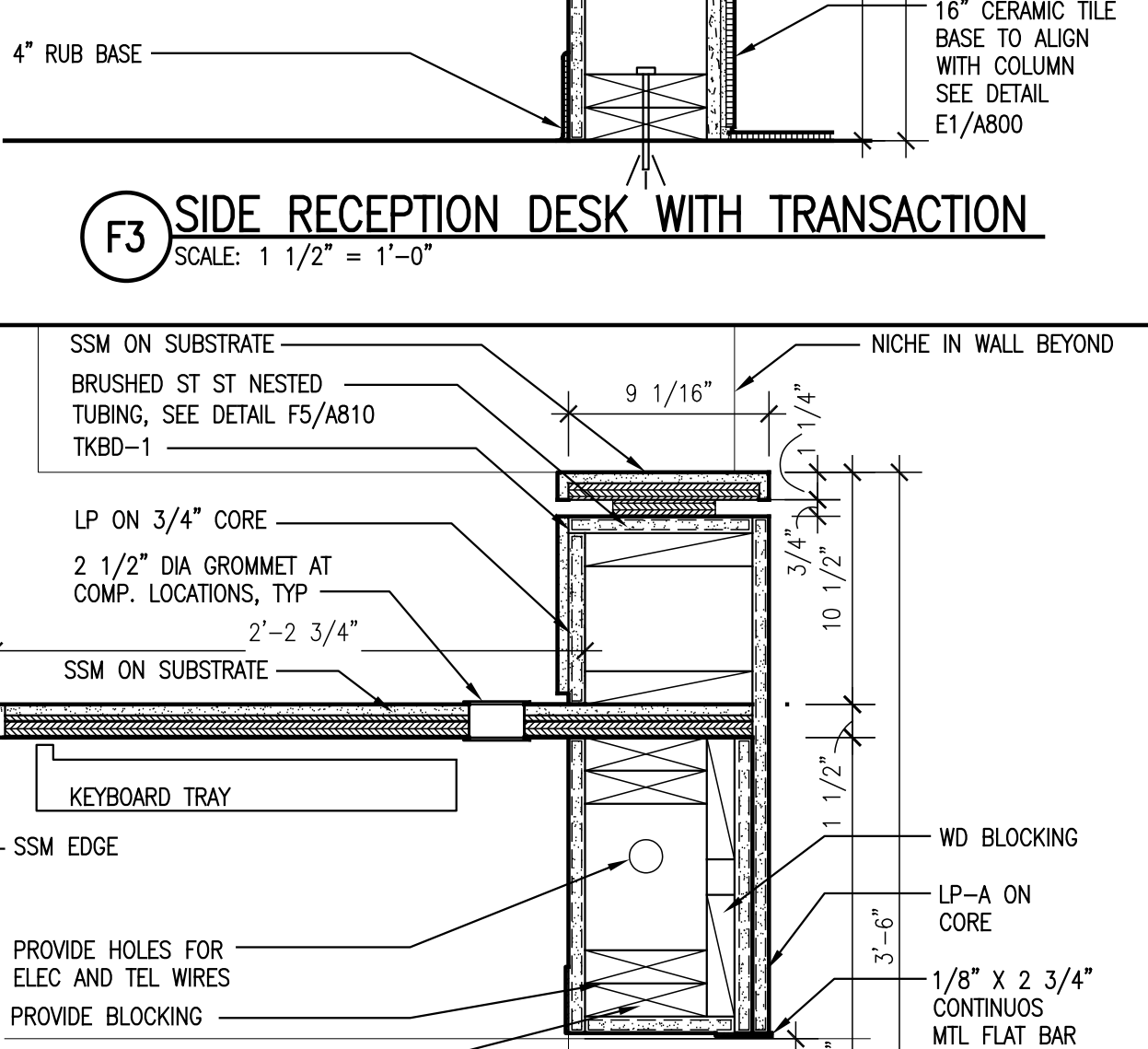
B4 STEEL BAR DETAIL
SCALE: 3" = 1'-0"



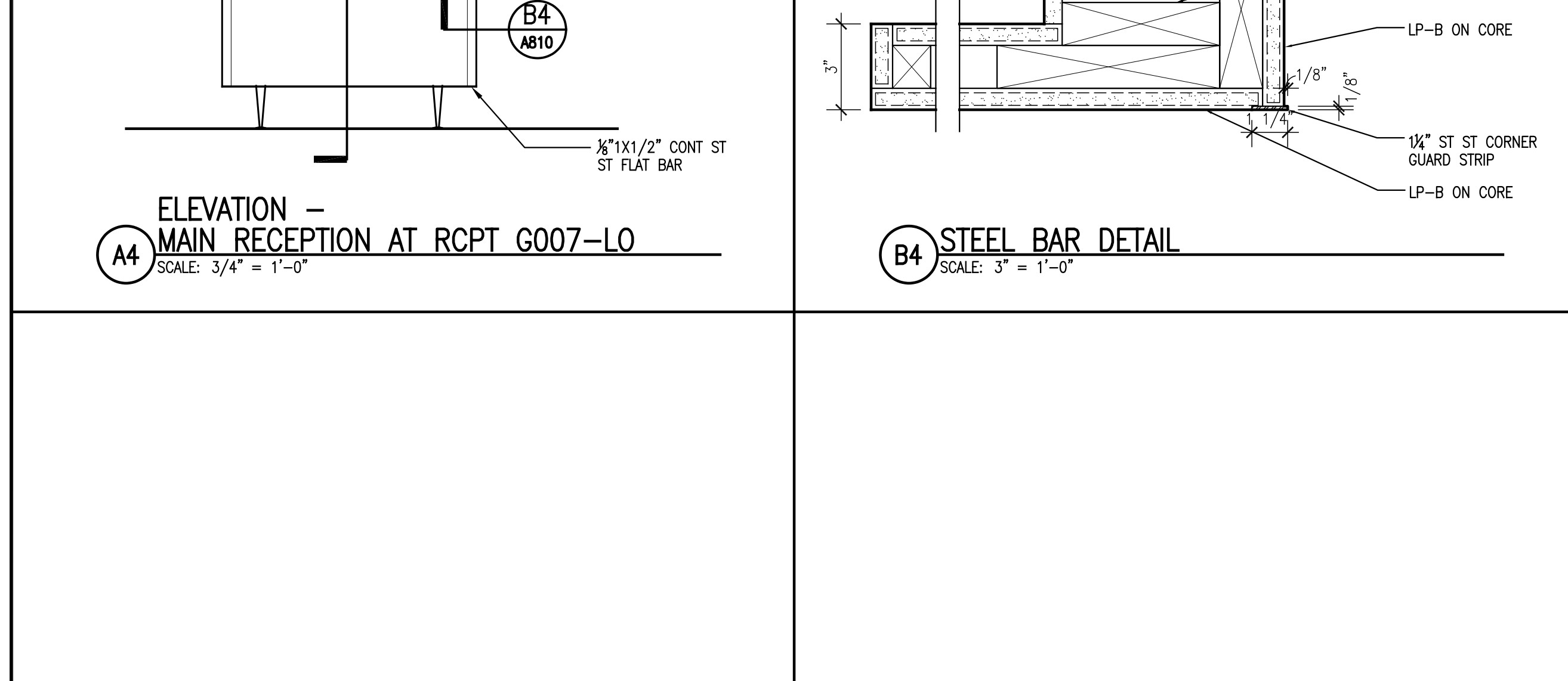
C4 MAIN RECEPTION DESK WITH TRANSACTION
SCALE: 1 1/2" = 1'-0"



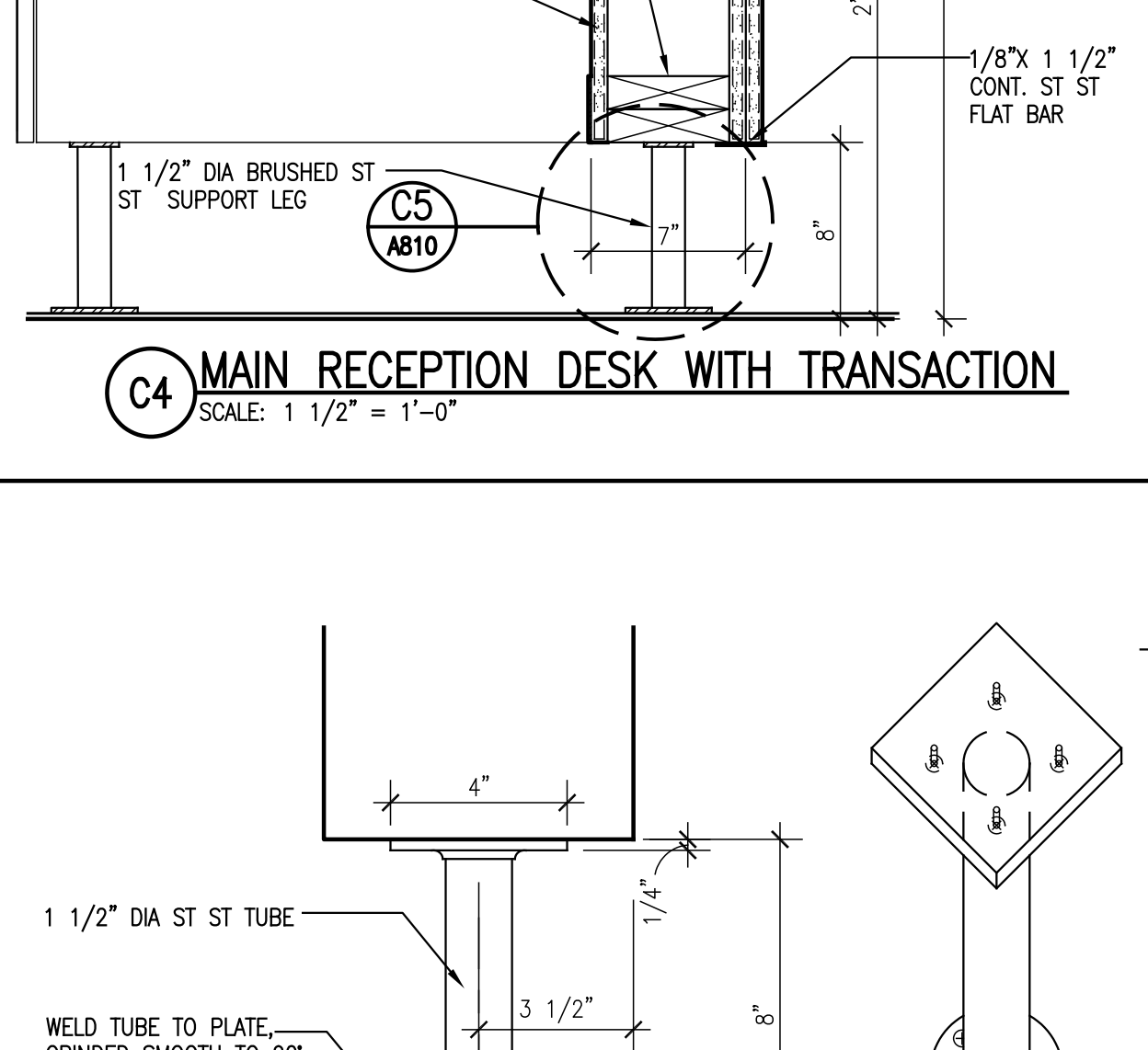
D4 PLAN- SIDE RECEPTION AT RCPT G007-L0
SCALE: 3/4" = 1'-0"



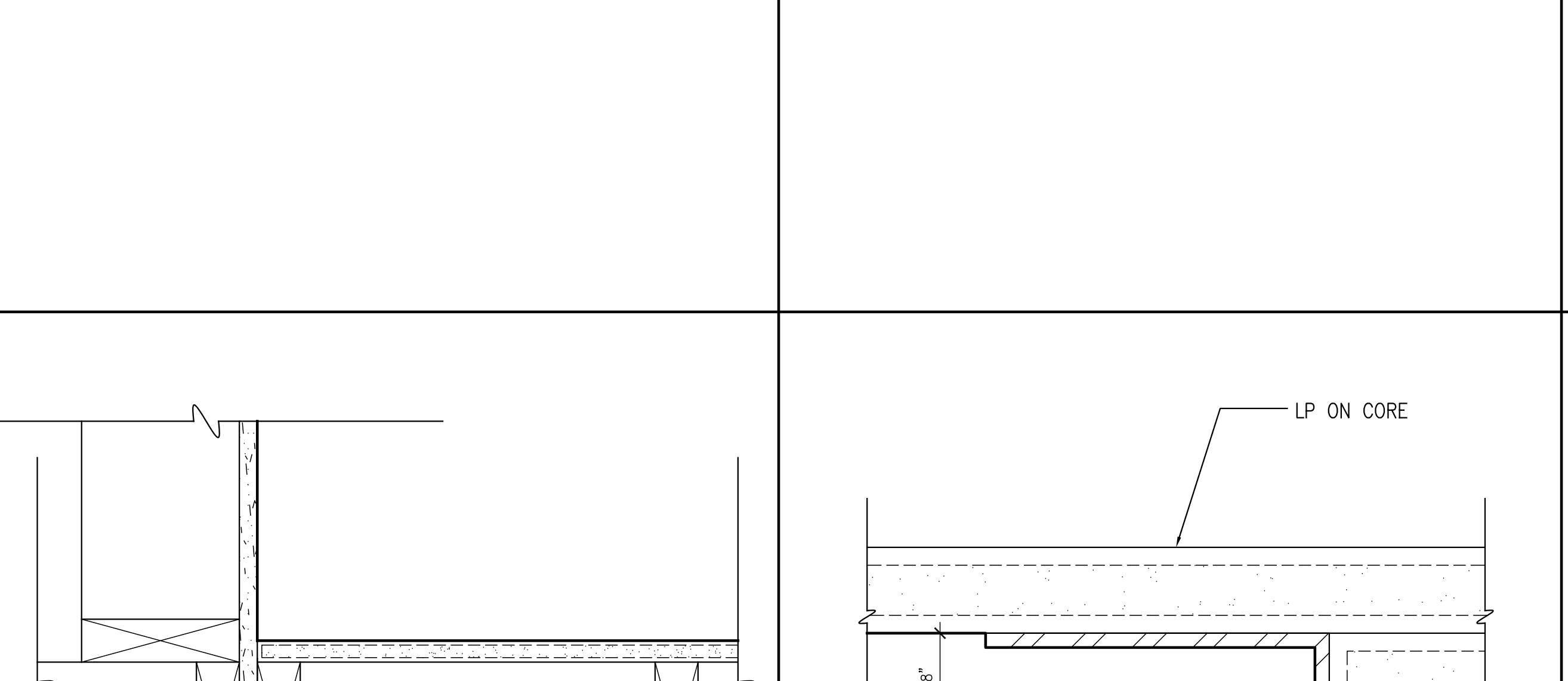
F4 SIDE RECEPTION DESK WITH TRANSACTION
SCALE: 1 1/2" = 1'-0"



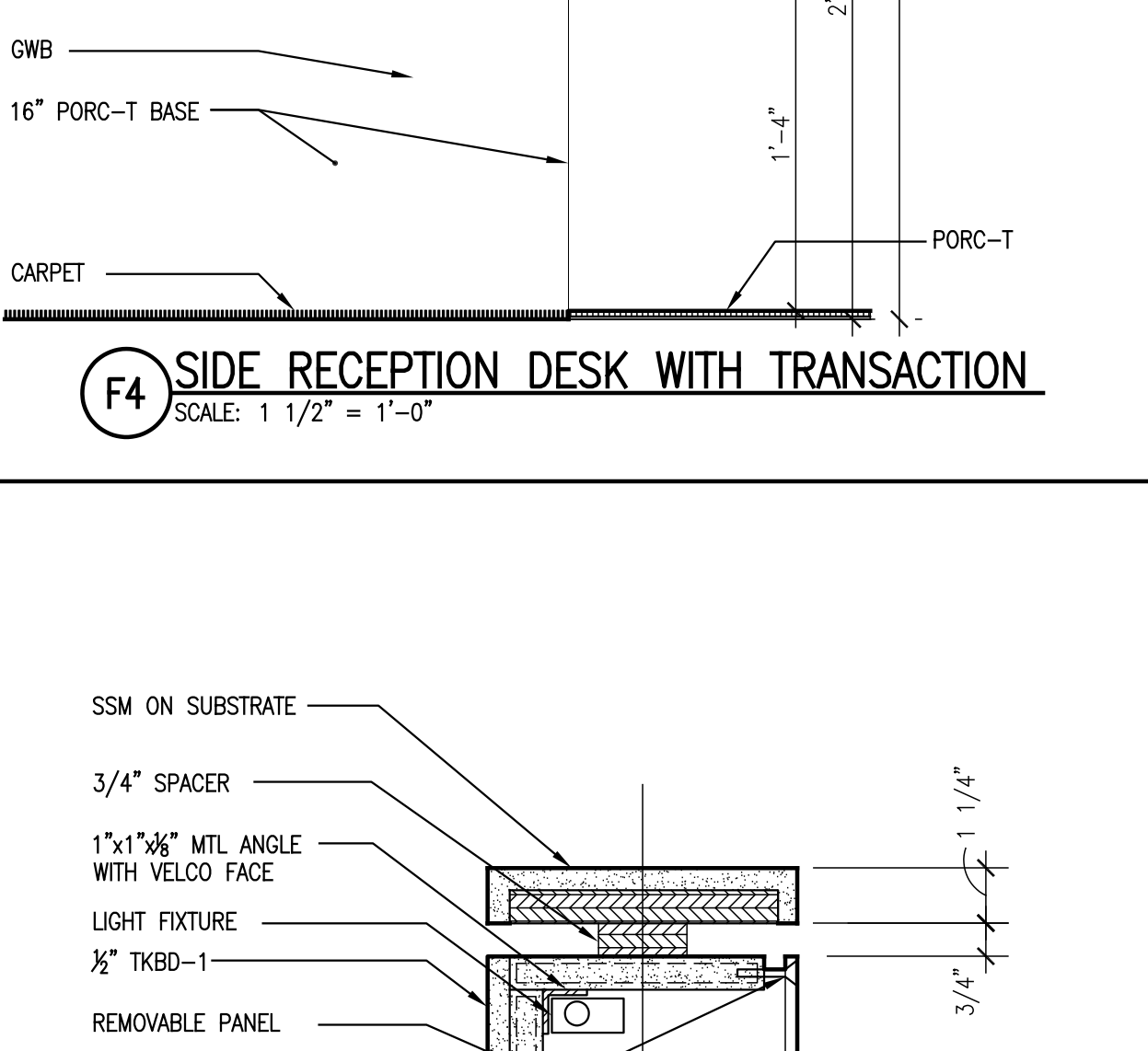
A5 ELEVATION - MAIN RECEPTION AT RCPT G007-L0
SCALE: 3/4" = 1'-0"



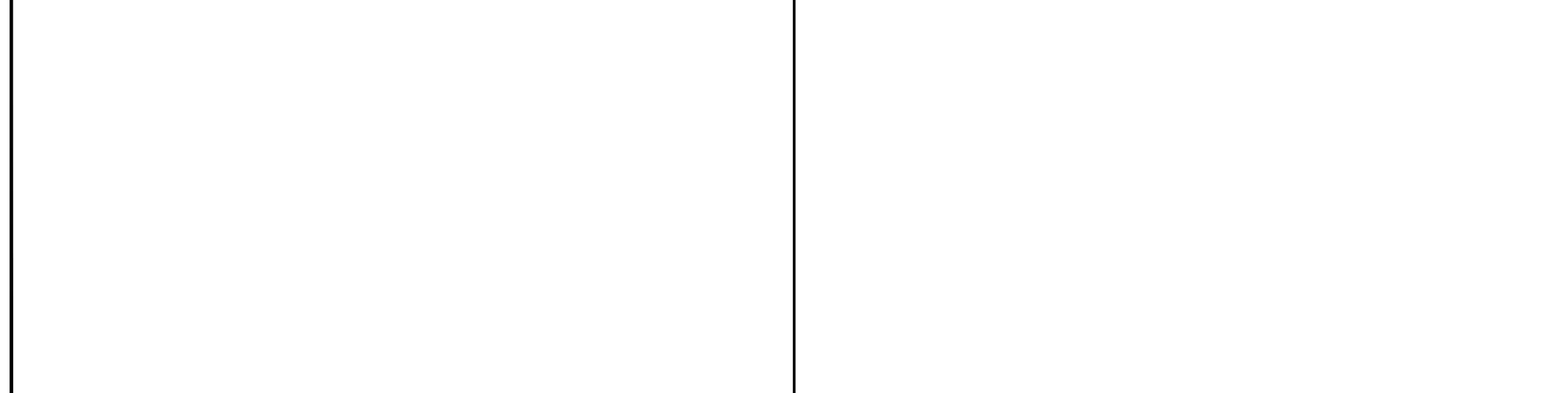
C5 SUPPORT LEG DETAIL
SCALE: 3" = 1'-0"



D5 MAIN RECEPTION DESK WITH TRANSACTION
SCALE: N.T.S.

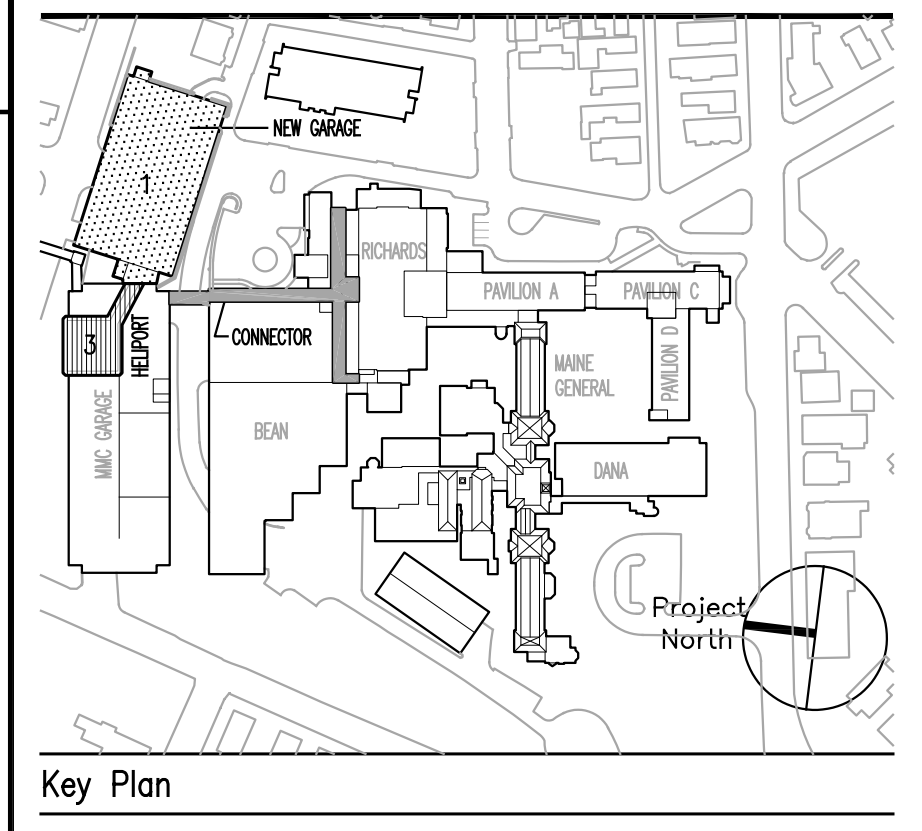


E5 STEEL ACCENT DETAIL AT MAIN RECEPTION
SCALE: 6" = 1'-0"



F5 MAIN RECEPTION DETAIL @ TRANSACTION TOP
SCALE: 3" = 1'-0"

MARK	ISSUE DATE	DESCRIPTION



TRO
ARCHITECTURAL PLANNING
ENGINEERING INTERIOR
The Ritchie Organization
80 Bridge Street
Newton, MA 02459-1
617-555-94

Maine Medical Center
Pkg F - Garage / Vault / Conn / Heliport
Portland, ME MMC Project No. 21845

Drawing Title
**CUSTOM CASEWORK
PLANS DETAILS**

Commission No.	4678	Date Issued	08/28/04
Scale	AS NOTED	Sheet Number	PKG-F
Drawn By	BJS	Checked By	RP/AM
Approved By	RP/AM		
Filename	3pkg_f_4678A810.dwg		
Copyright	© 2004 The Ritchie Organization		