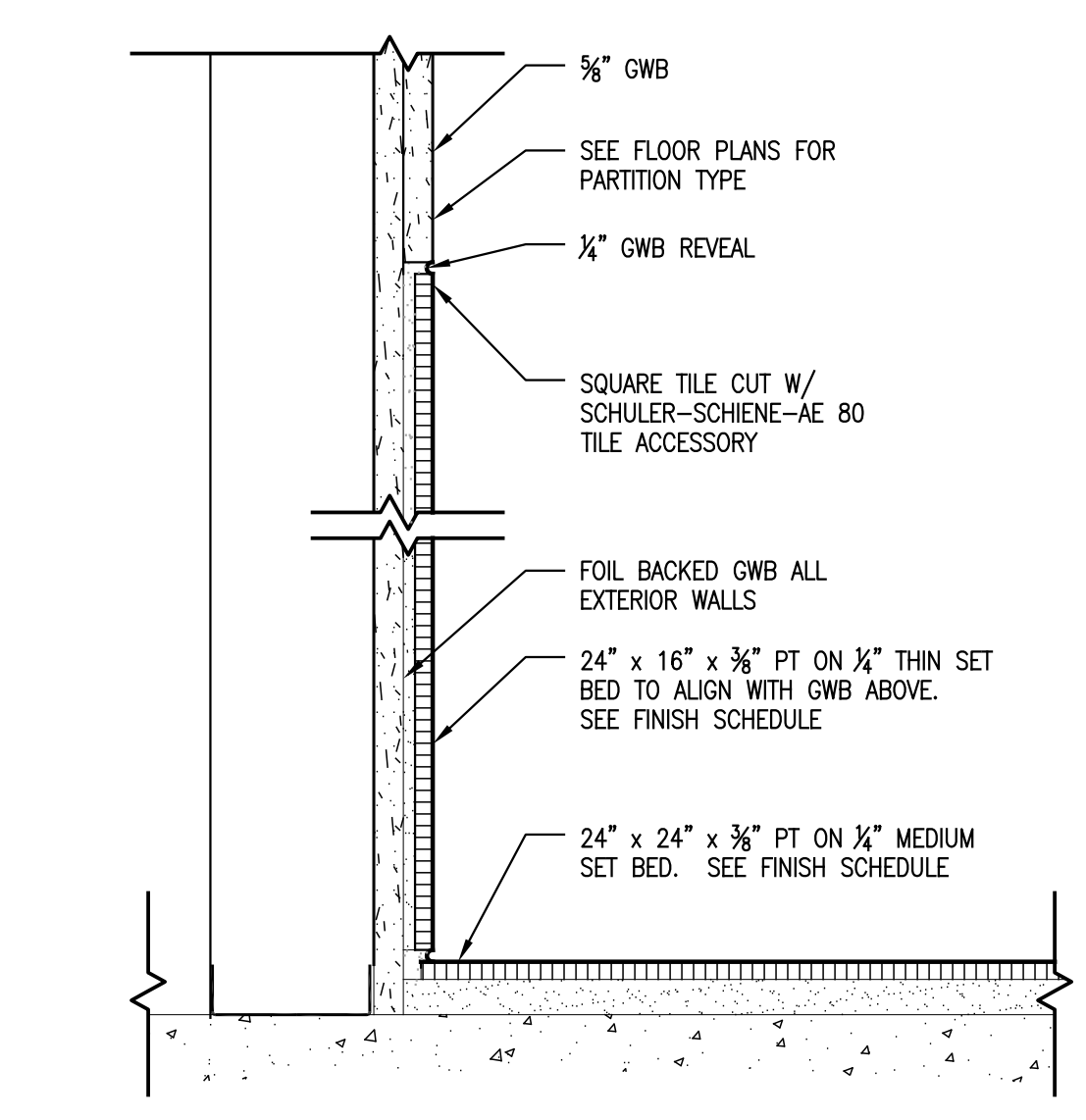
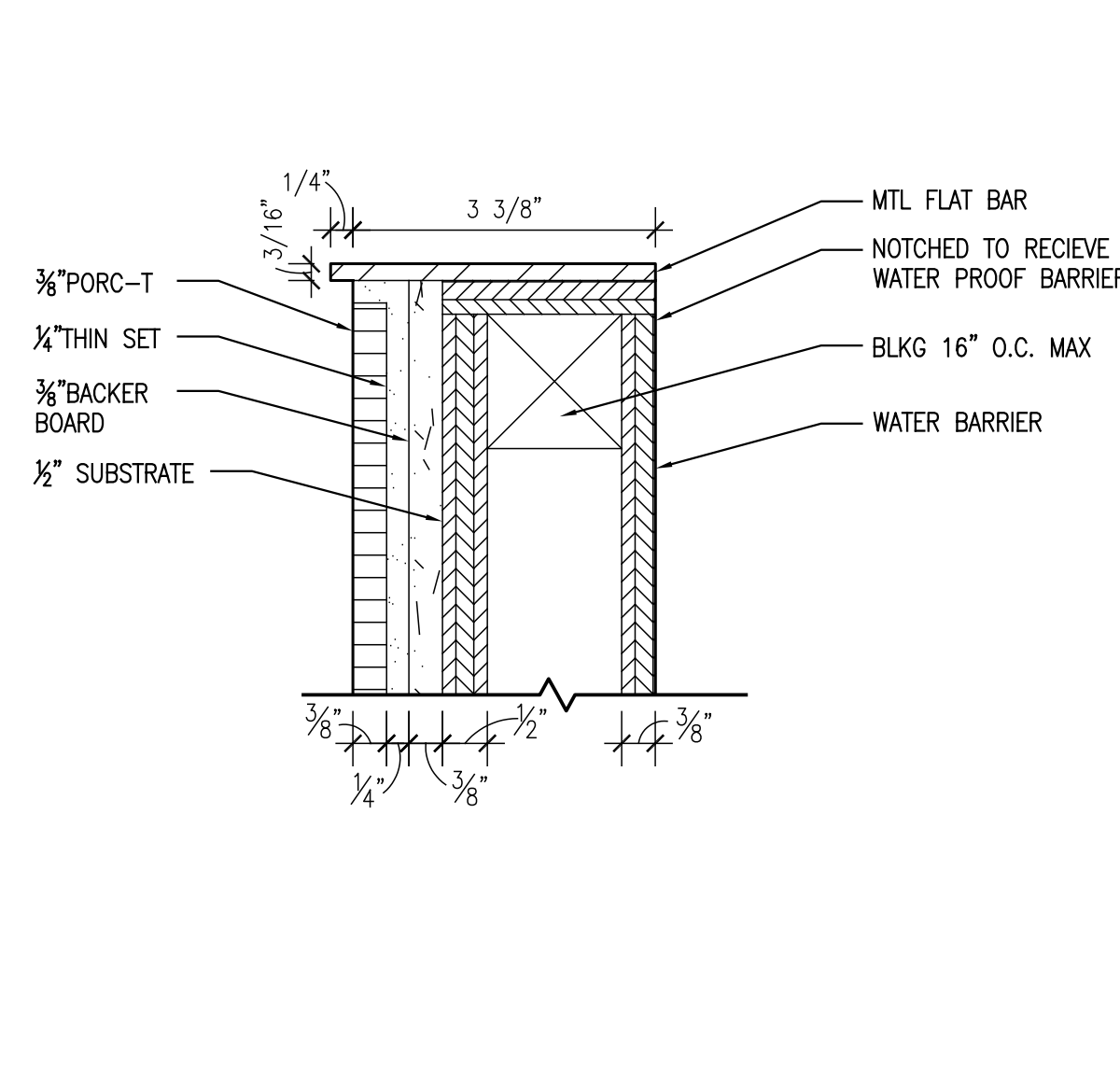


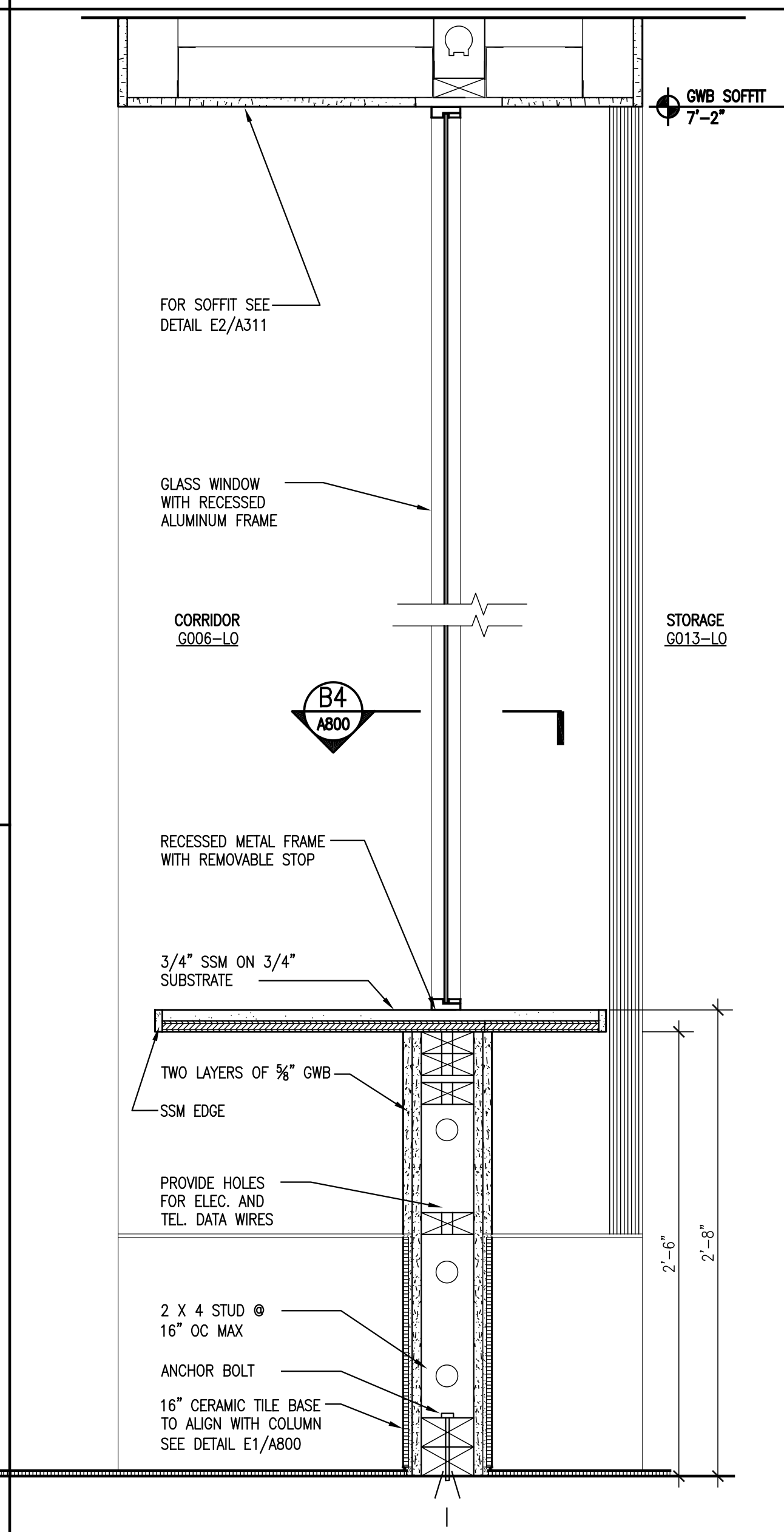
D1 SECTION DETAIL AT PT BASE  
SCALE: 3" = 1'-0"



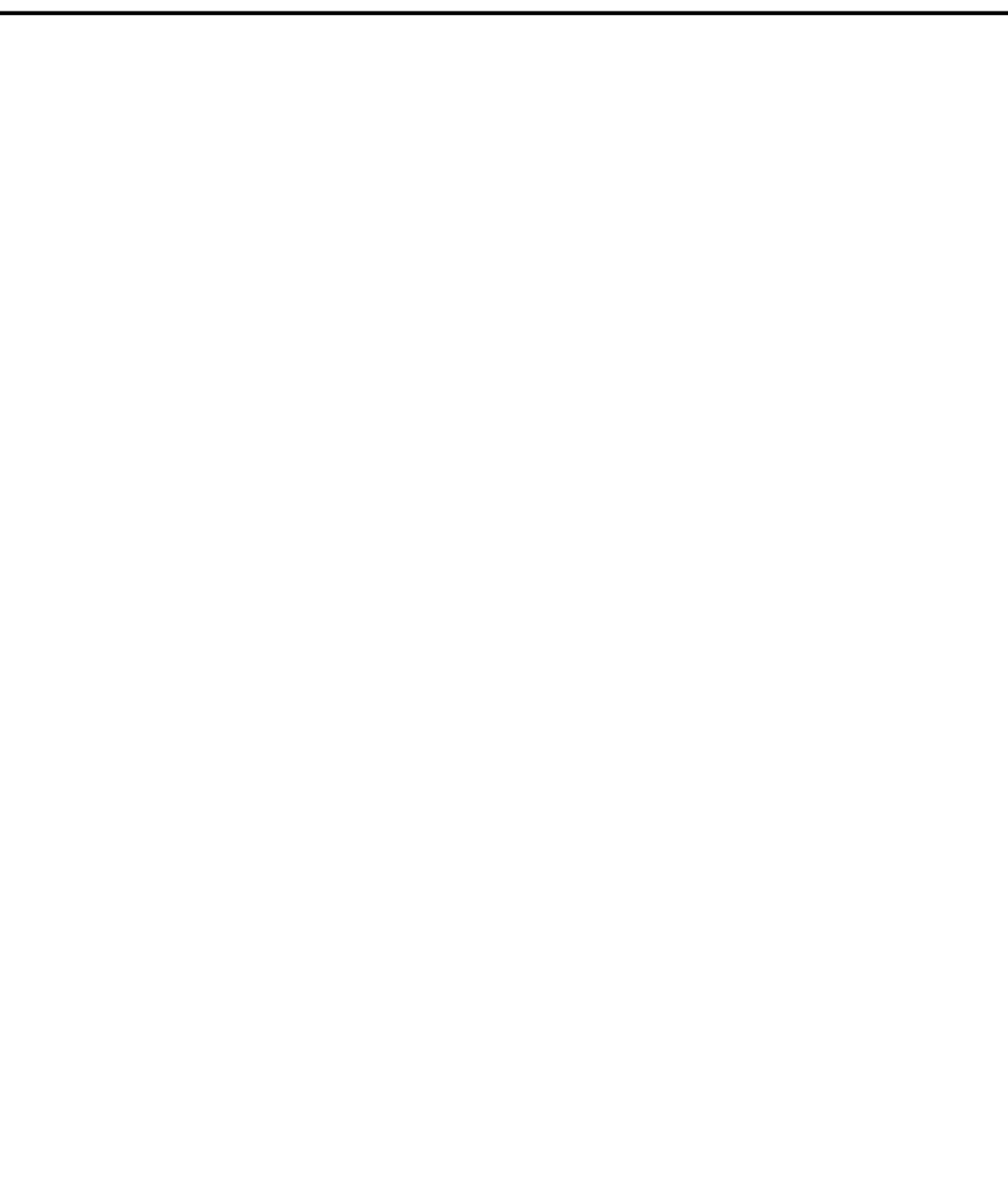
E1 SECTION DETAIL AT PT BASE  
SCALE: 3" = 1'-0"



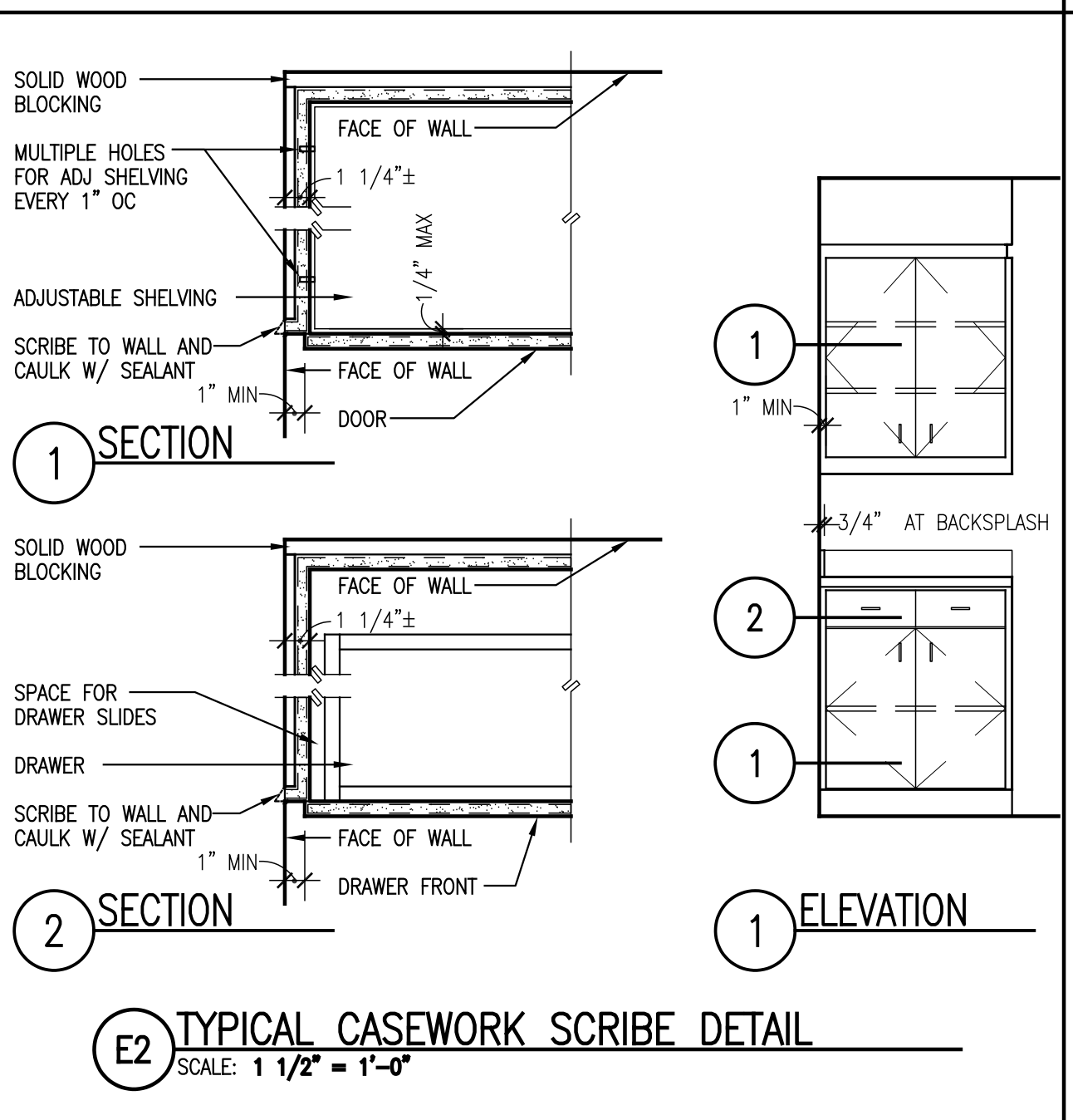
F1 SECTION DETAIL AT PT BASE  
SCALE: 6" = 1'-0"



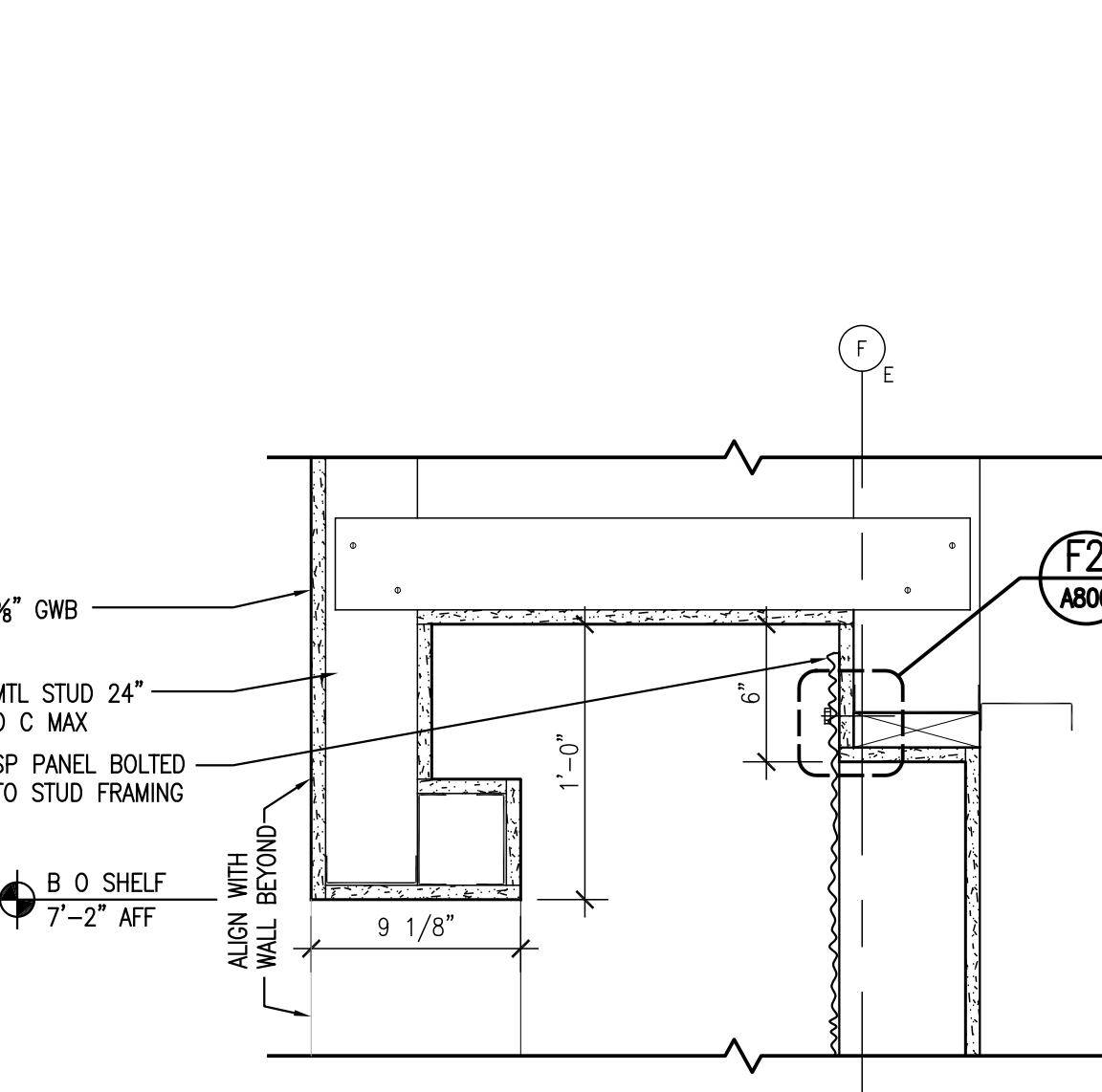
C3 SECTION AT WORKSTATION  
SCALE: 1 1/2" = 1'-0"



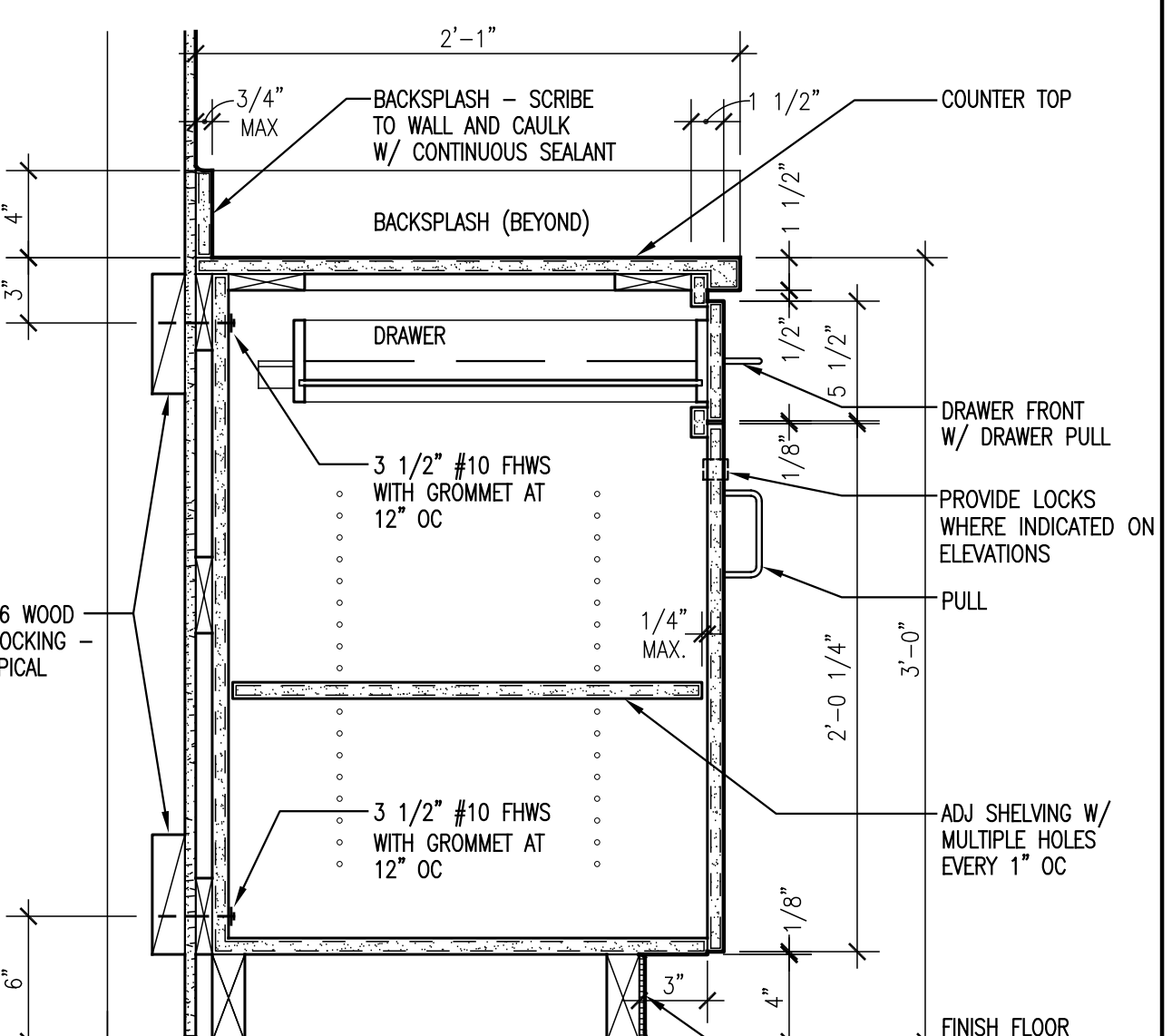
E2 TYPICAL CASEWORK SCRIBE DETAIL  
SCALE: 1 1/2" = 1'-0"



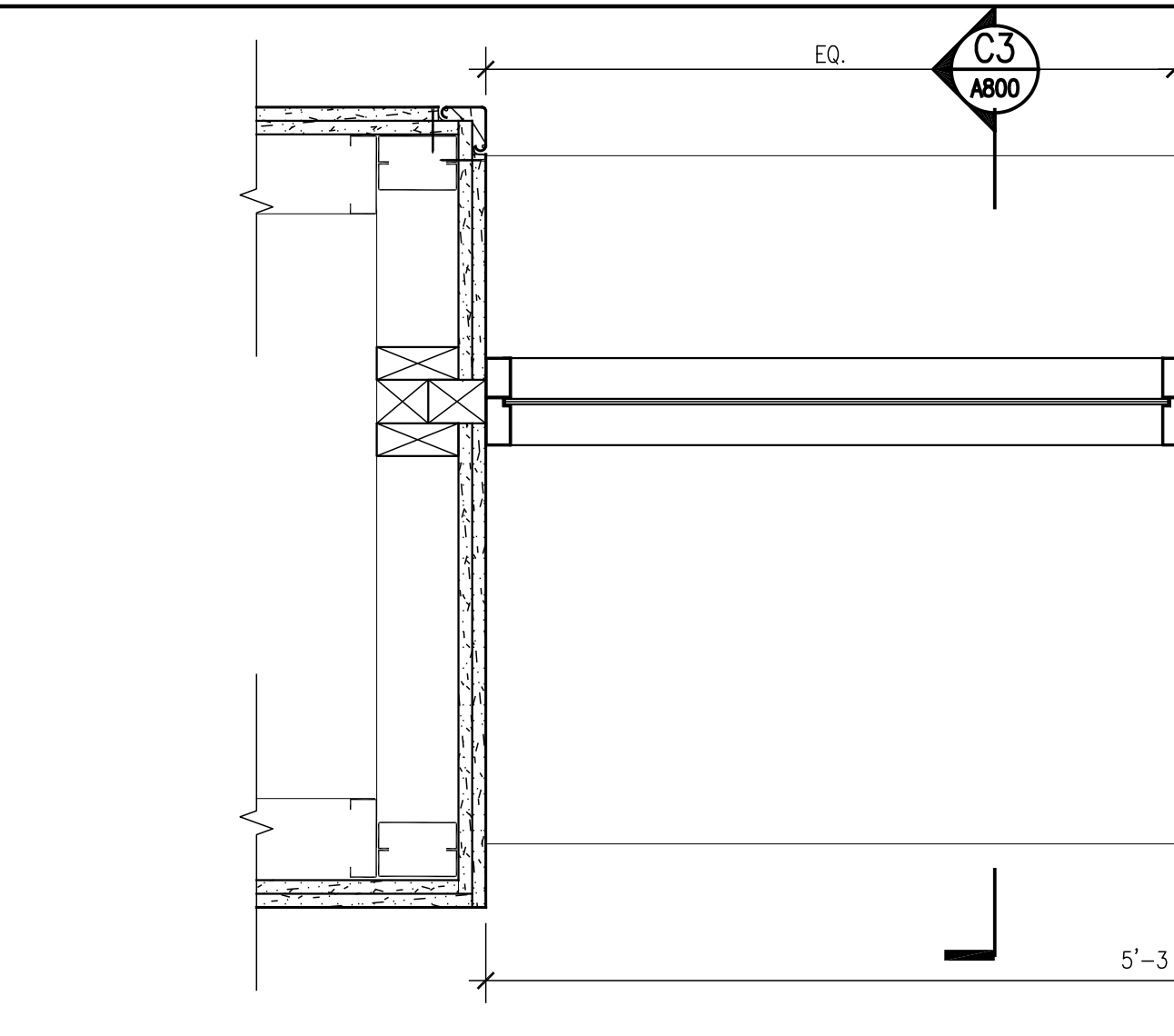
F2 SECTION DETAIL AT BENCH  
SCALE: 3" = 1'-0"



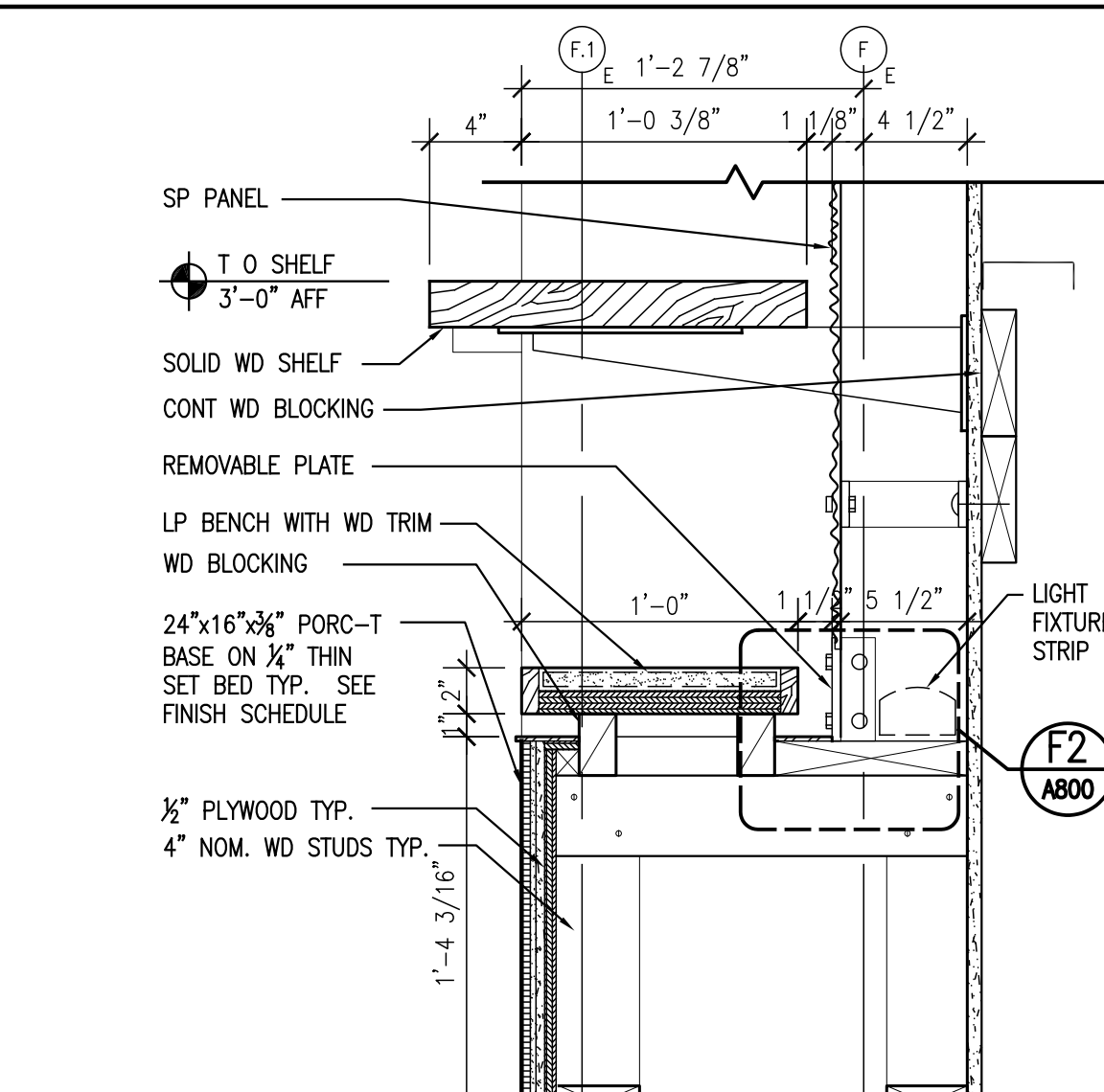
D3 SECTION AT SOFFIT ABOVE BENCH  
SCALE: 1 1/2" = 1'-0"



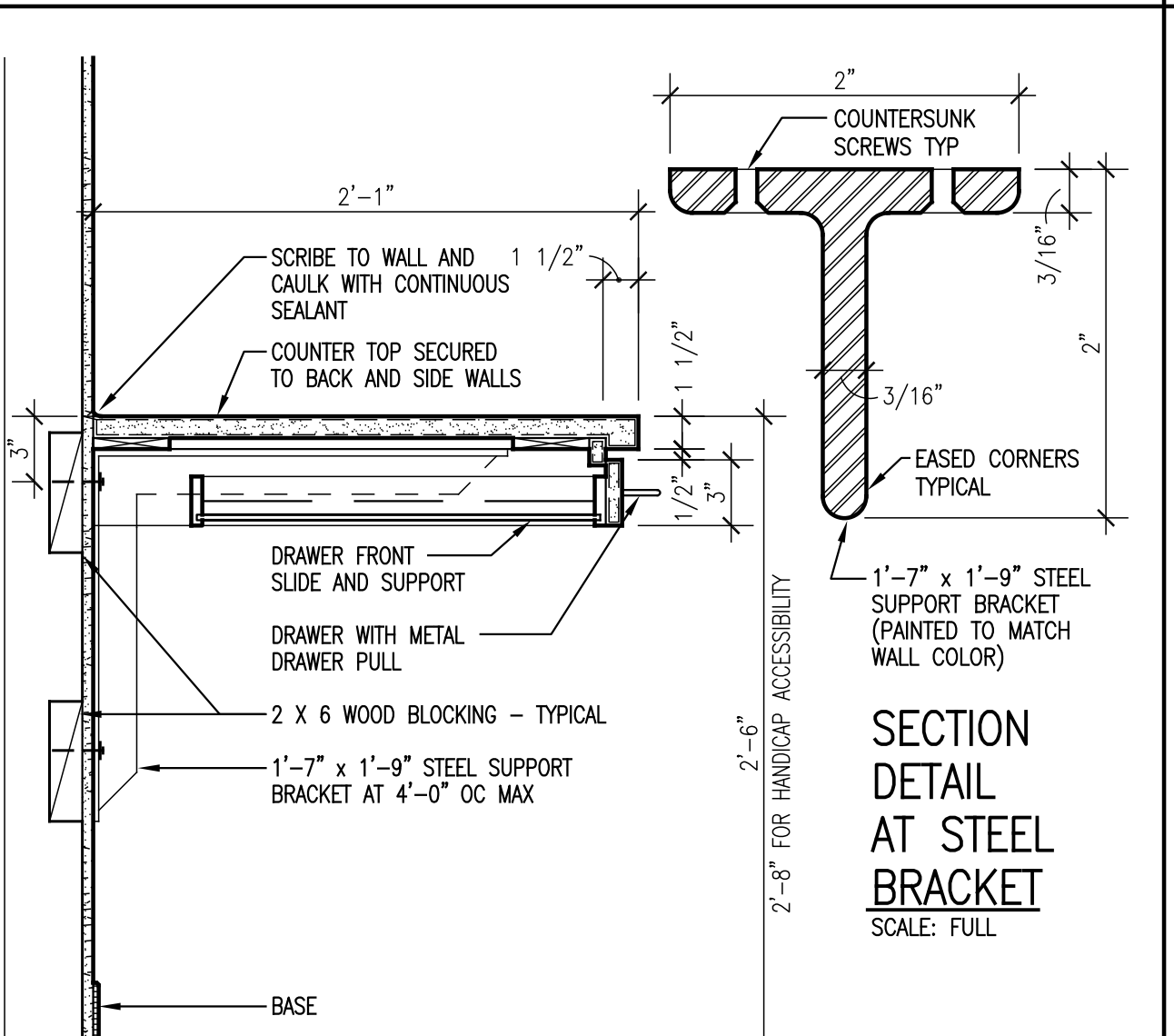
E3 SECTION - BASE UNIT  
SCALE: 1 1/2" = 1'-0"



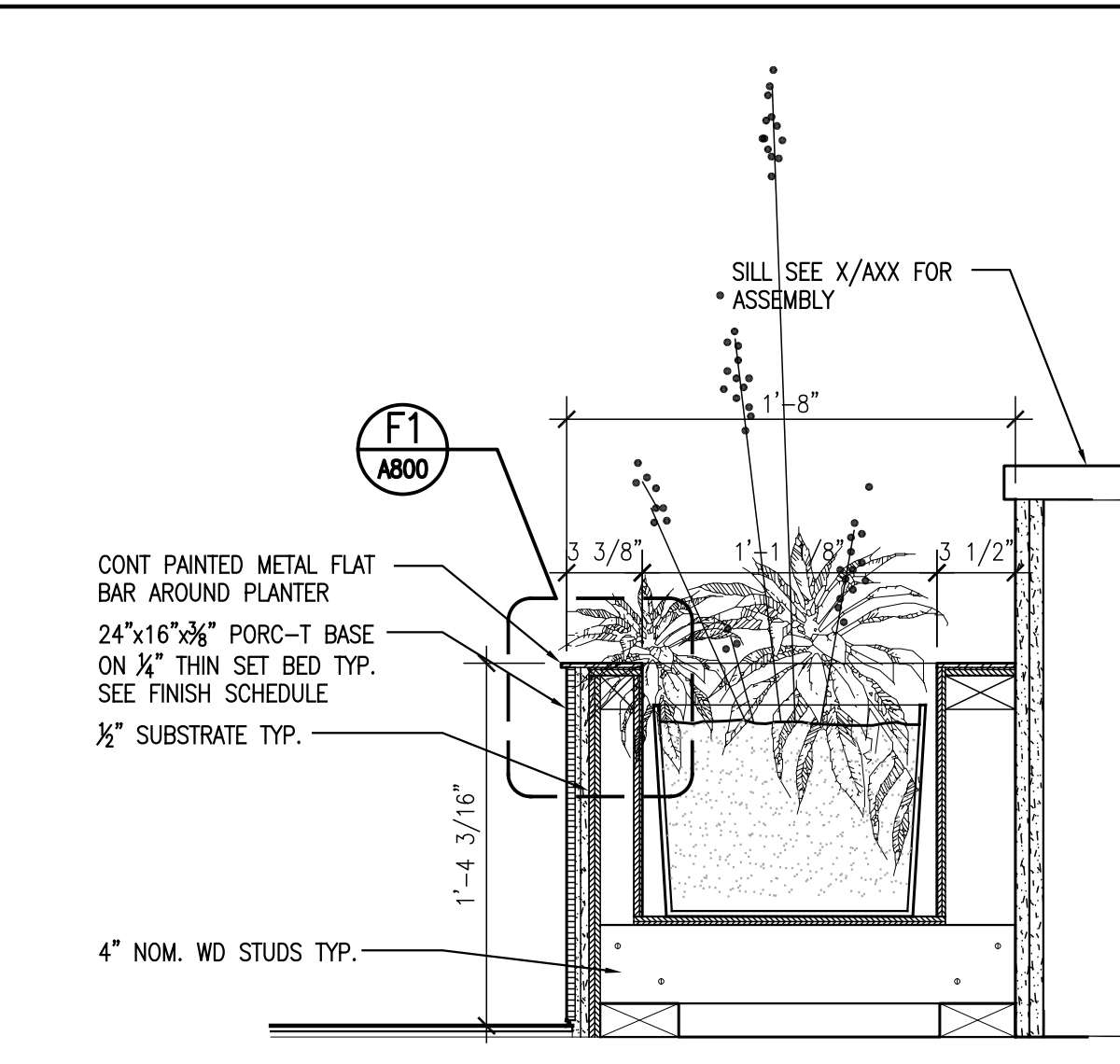
B4 SECTION AT WORKSTATION  
SCALE: 1 1/2" = 1'-0"



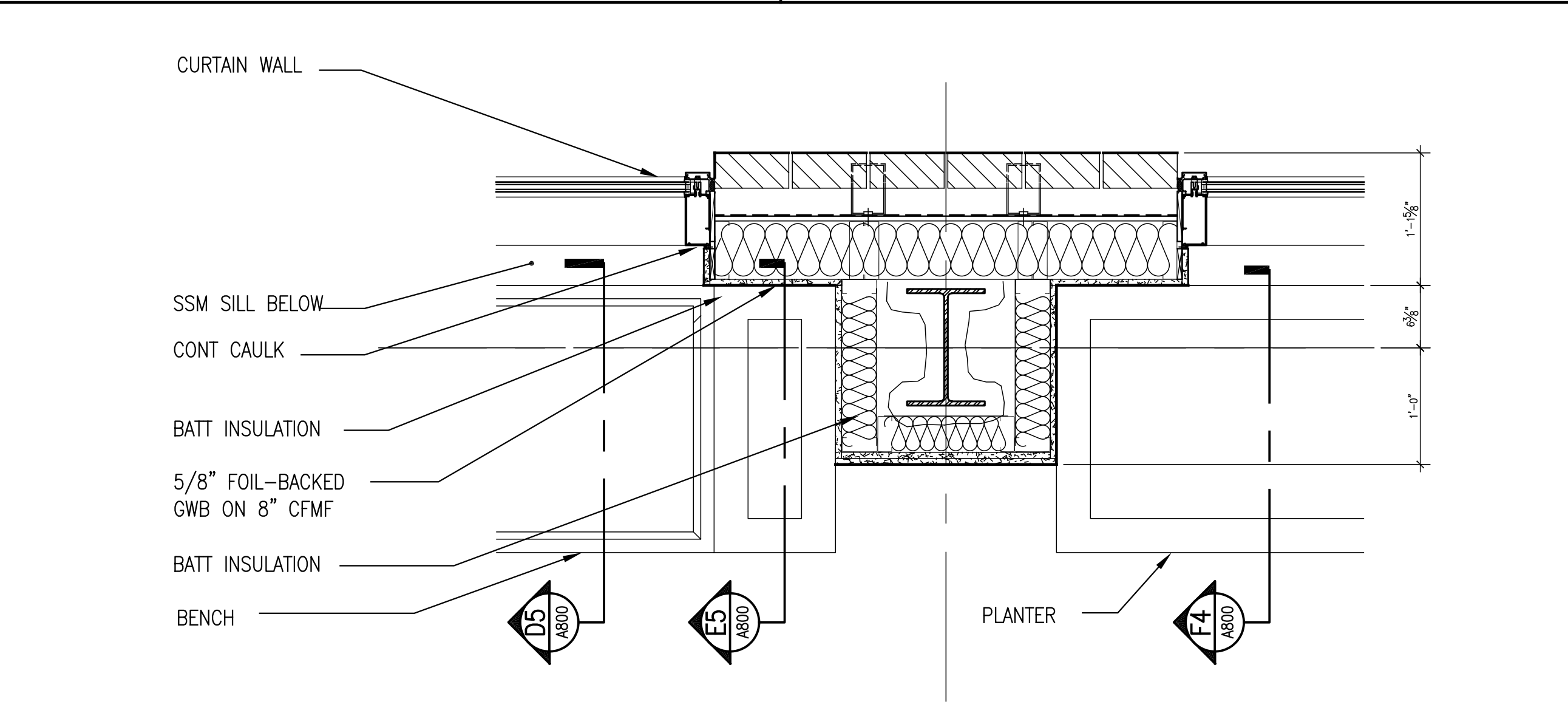
D4 SECTION AT BENCH  
SCALE: 1 1/2" = 1'-0"



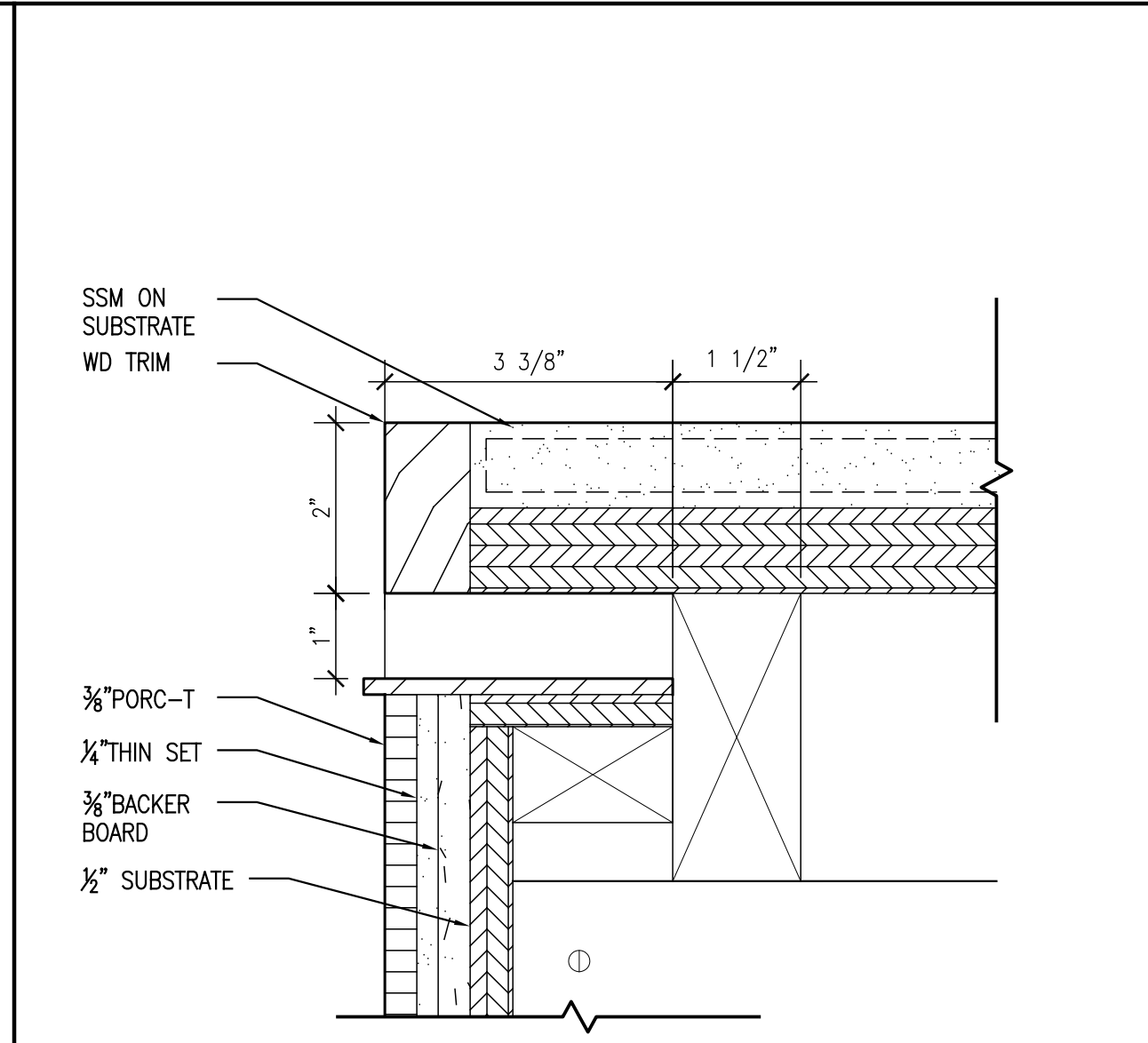
E4 SECTION - COUNTER W/ BRACKET SUPPORT  
SCALE: 1 1/2" = 1'-0"



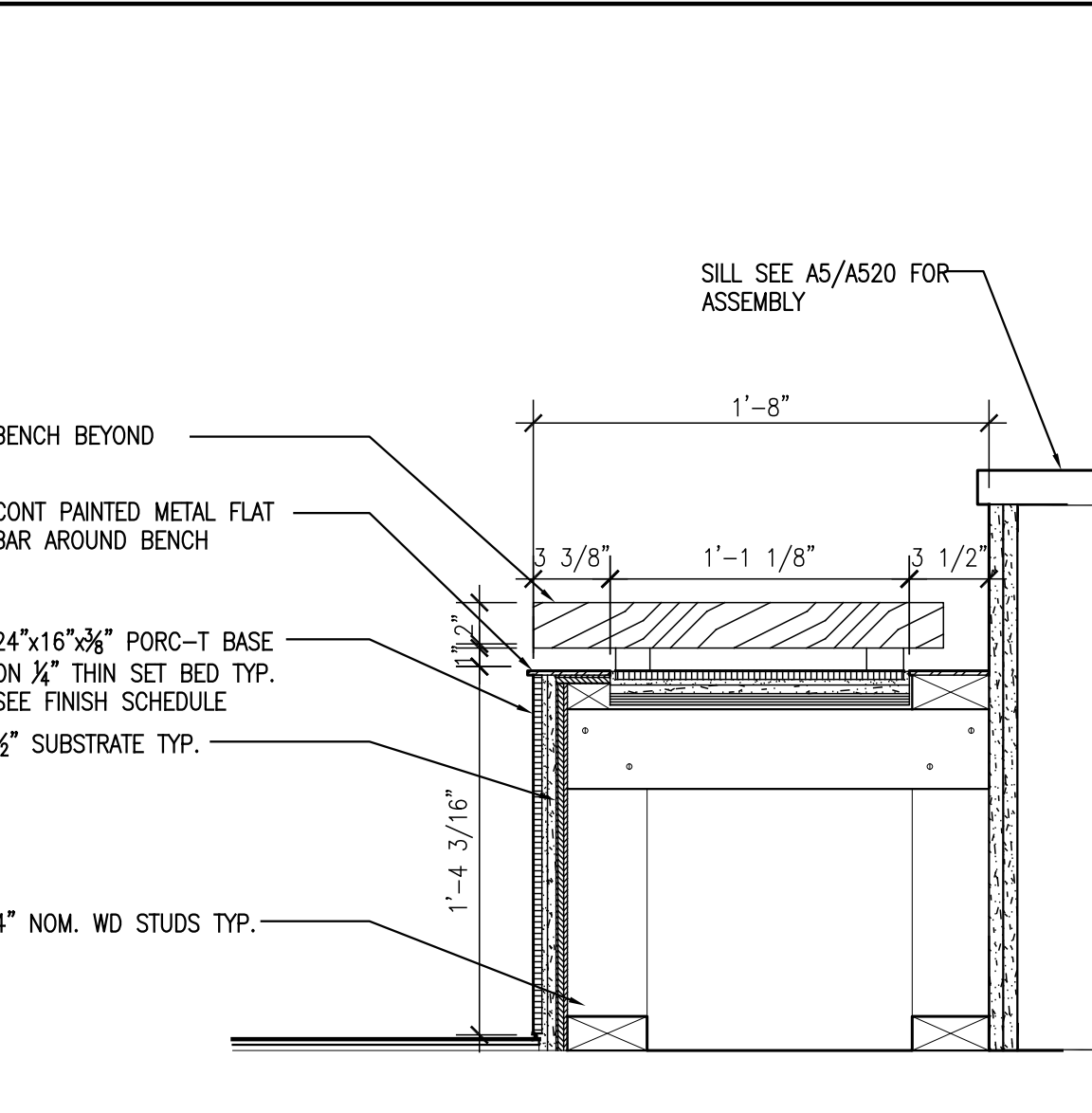
F4 SECTION AT LOW PLANTER  
SCALE: 1 1/2" = 1'-0"



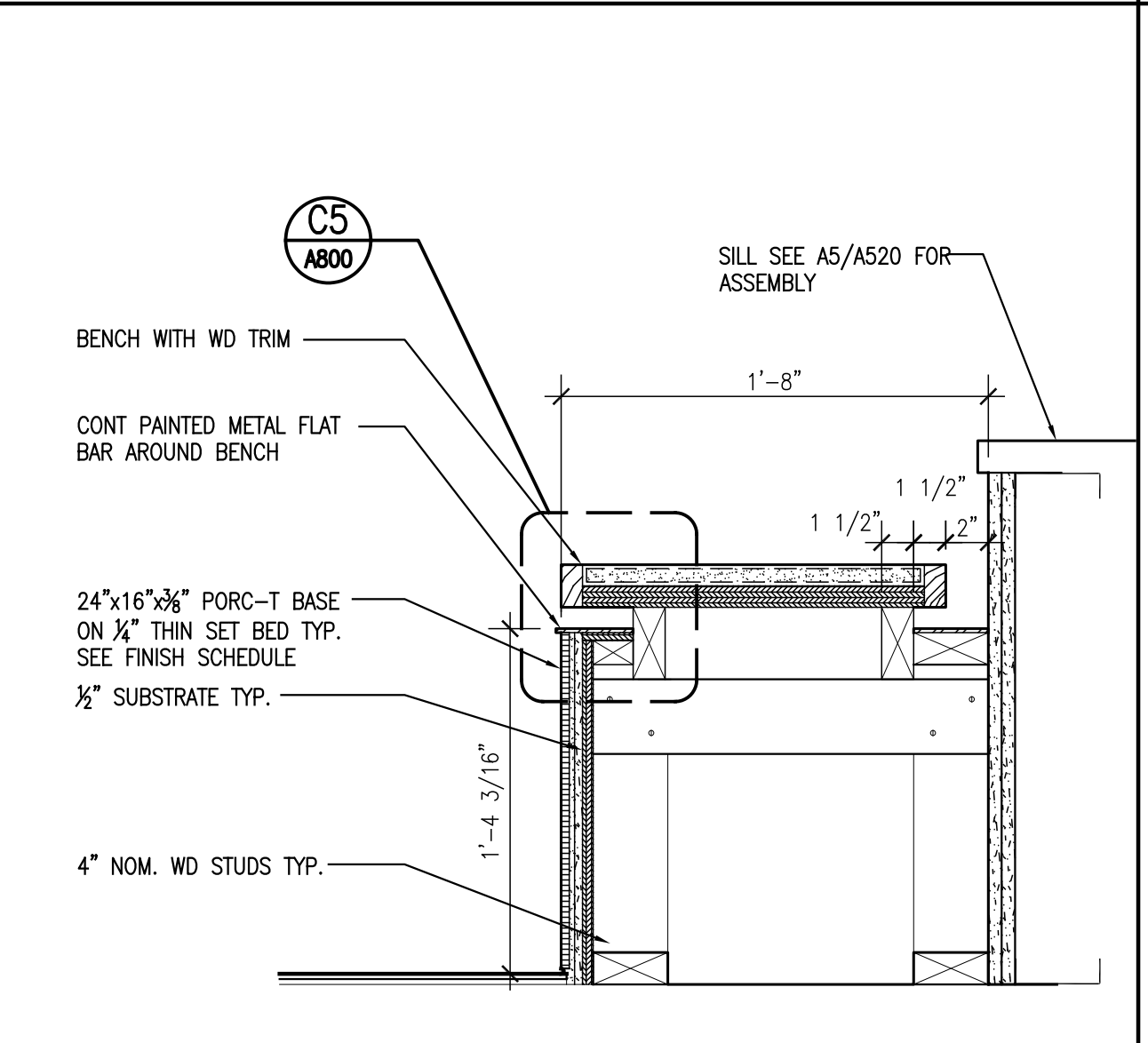
A5 COLUMN DETAILS  
SCALE: 3/4" = 1'-0"



C5 DETAIL SECTION AT BENCH  
SCALE: 6" = 1'-0"



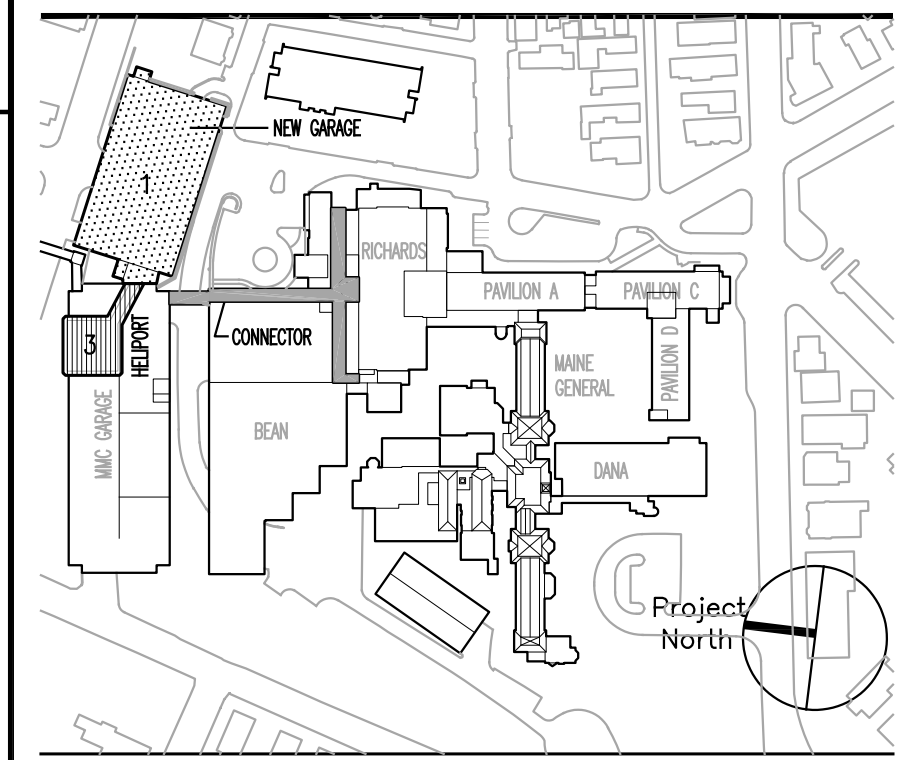
D5 SECTION AT BENCH  
SCALE: 1 1/2" = 1'-0"



E5 SECTION AT LOW BASE  
SCALE: 1 1/2" = 1'-0"

General Notes:

MARK	ISSUE DATE	DESCRIPTION
PERMIT	09/18/04	PERMIT SET
BD	08/28/04	BD SET



**TRO**  
ARCHITECTURAL  
PLANNING  
ENGINEERING  
INTERIOR  
The Ritchie Organizat'  
80 Bridge Street  
Newton, MA 02459-1417  
617-552-9444

**Maine Medical Center**  
Pkg F - Garage / Vault / Conn / Heliport  
Portland, ME MMC Project No. 21845

Drawing Title  
**CASEWORK DETAILS**

Commission No.	4678	Date Issued	08/28/04
Scale	AS NOTED	Sheet Number	PKG-F-1
Drawn By	BJS	Approved By	RP/AM
File Name	\\p140724000.dwg		
Copyright	© 2004 The Ritchie Organization		