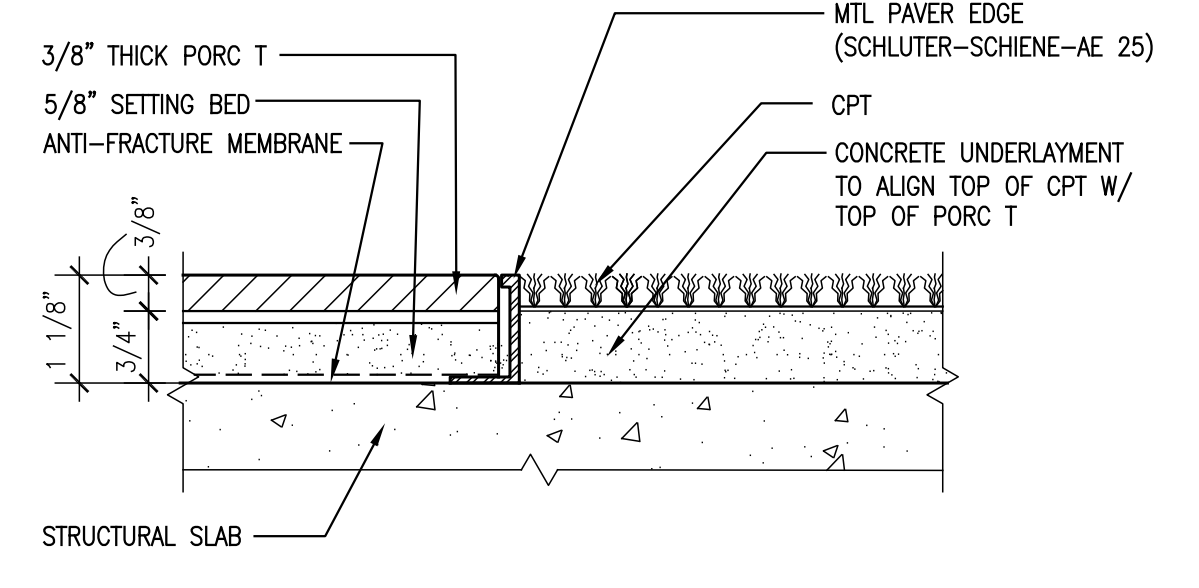
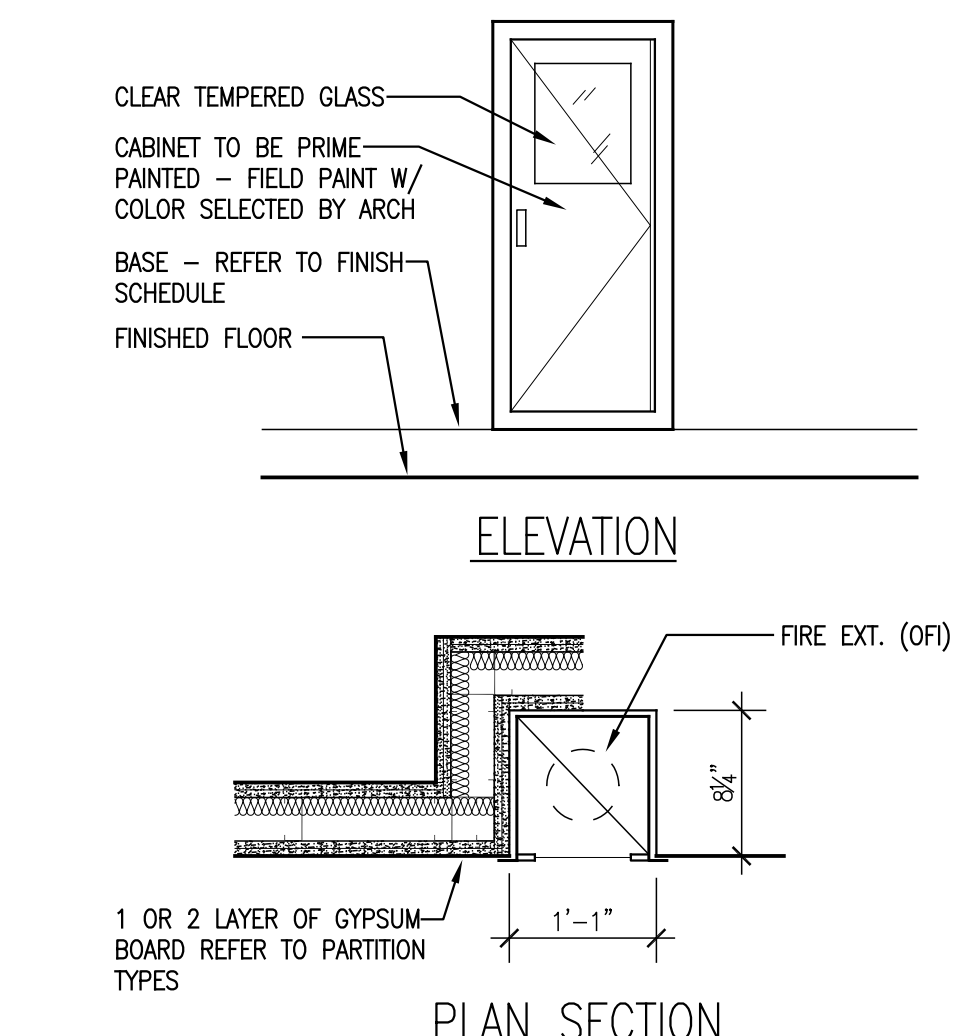


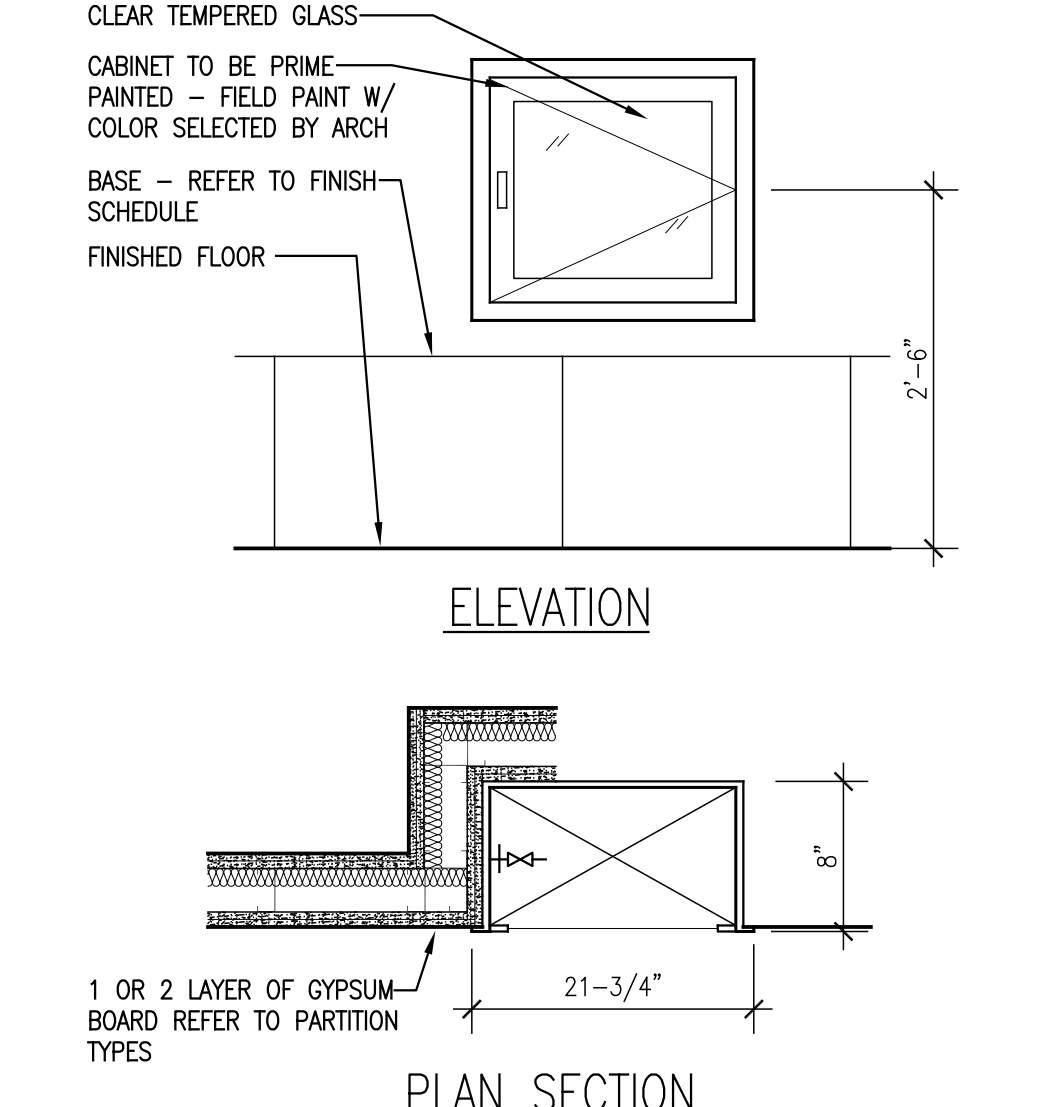
D1 VINYL BUMPER RAIL - SECTION
SCALE: 6\"/>



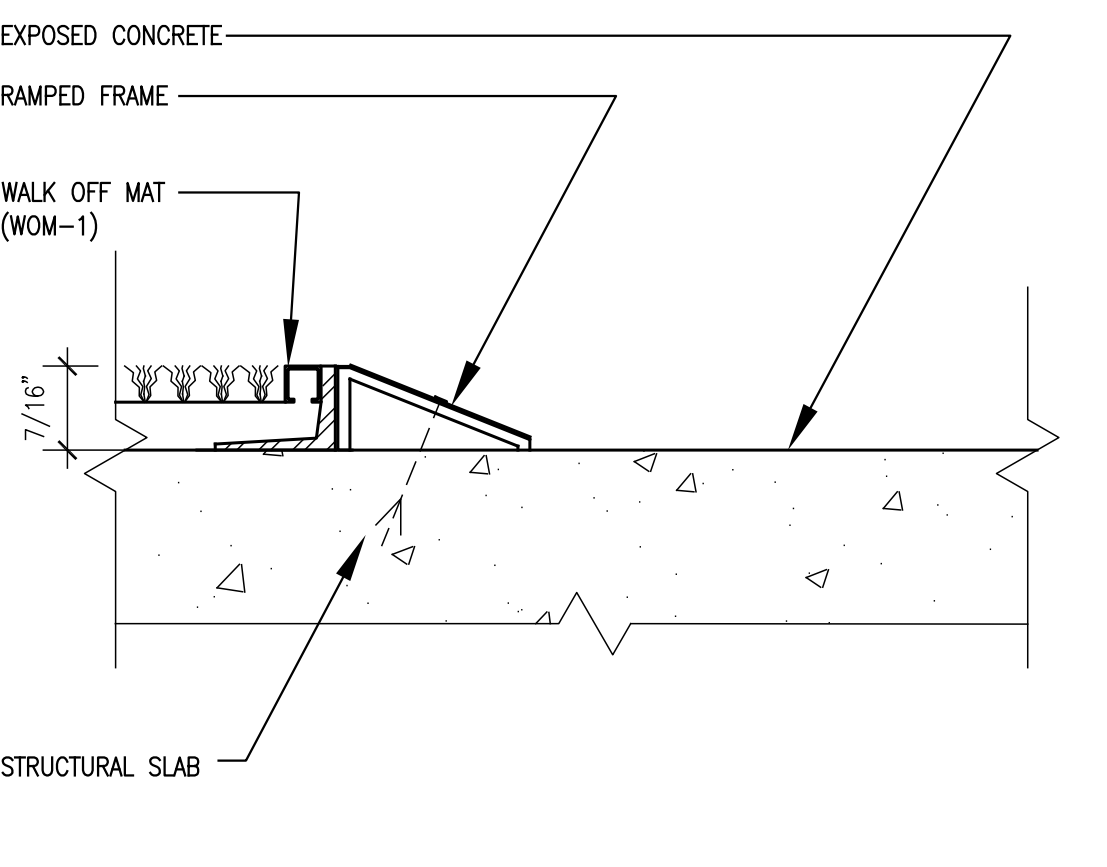
F1 TRANSITION DETAIL AT PORCELAIN TILE TO CARPET
SCALE: 6\"/>



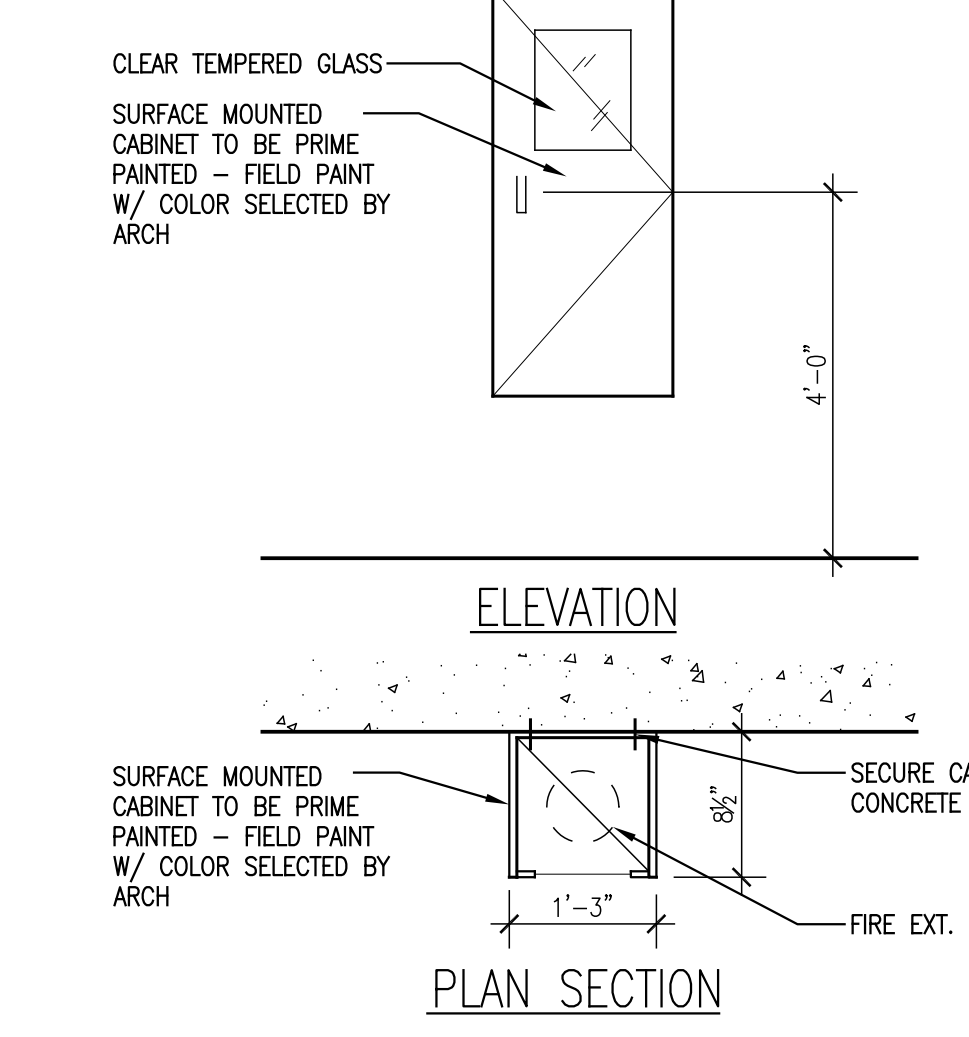
D2 FIRE EXTINGUISHER CABINET RECESSED
SCALE: 3/4\"/>



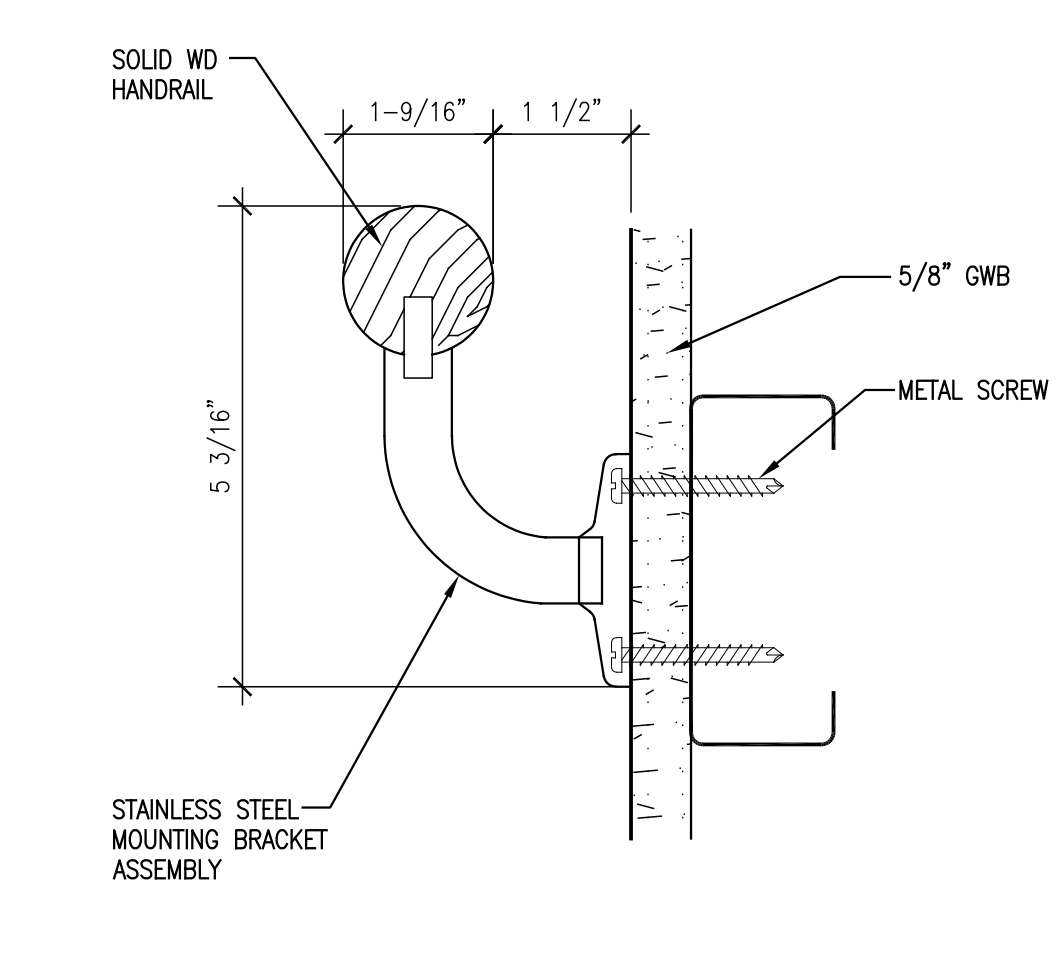
E2 RECESSED VALVE CABINET
SCALE: 3/4\"/>



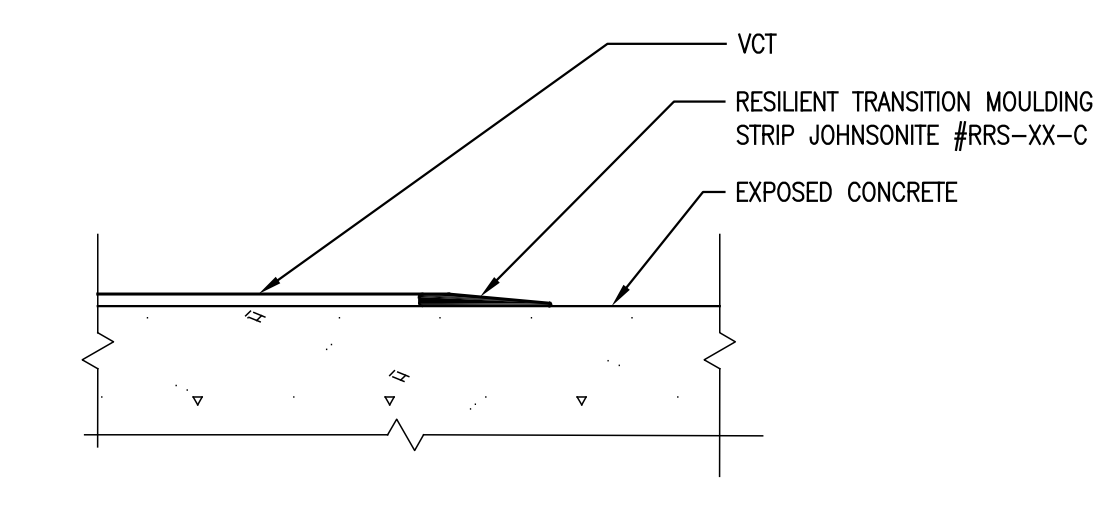
F2 TRANSITION DETAIL AT WALK OFF MAT WOM-1 TO EXPOSED CONCRETE
SCALE: 1\"/>



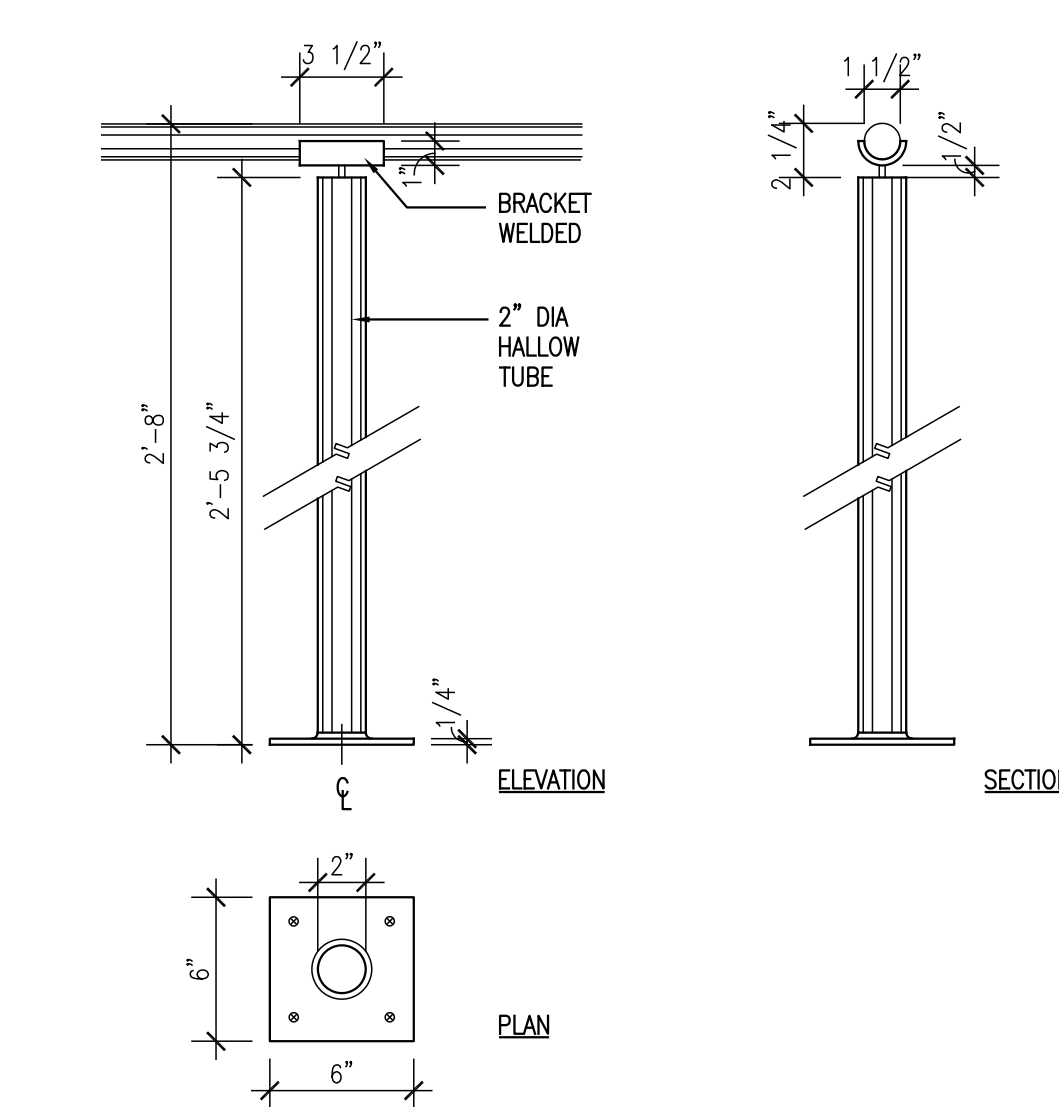
D3 FIRE EXTINGUISHER CABINET SURFACE MOUNTED
SCALE: 3/4\"/>



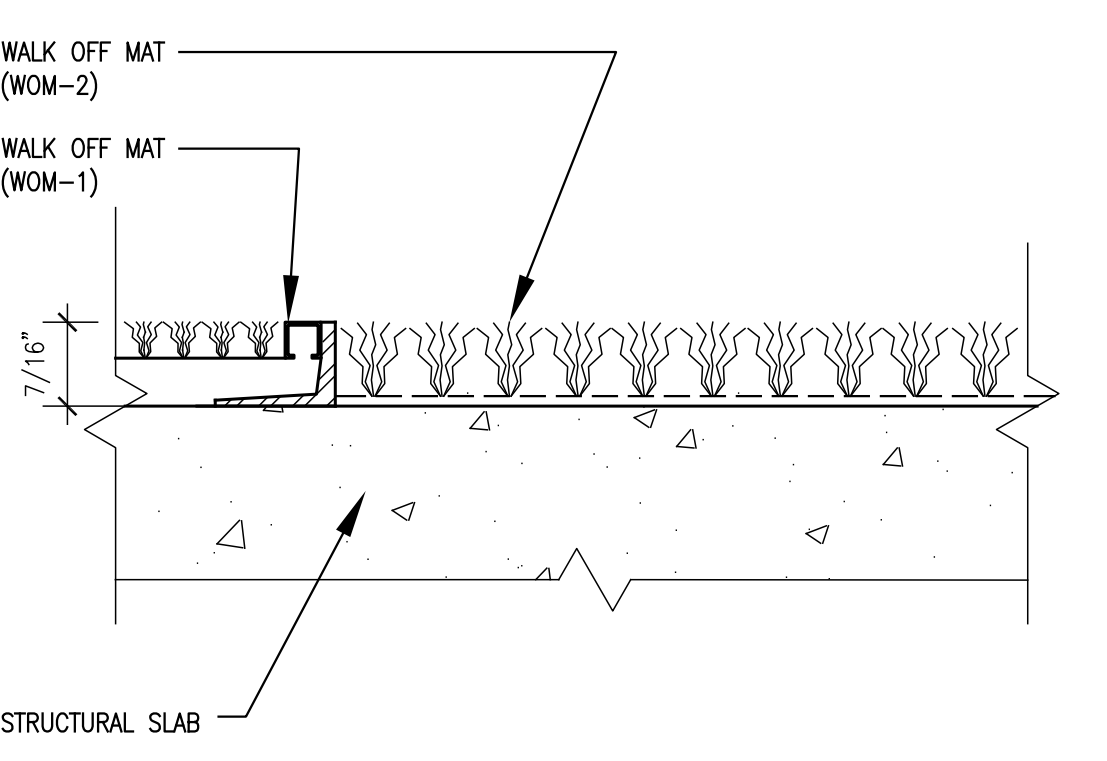
E3 HANDRAIL SECTION DETAIL
SCALE: 6\"/>



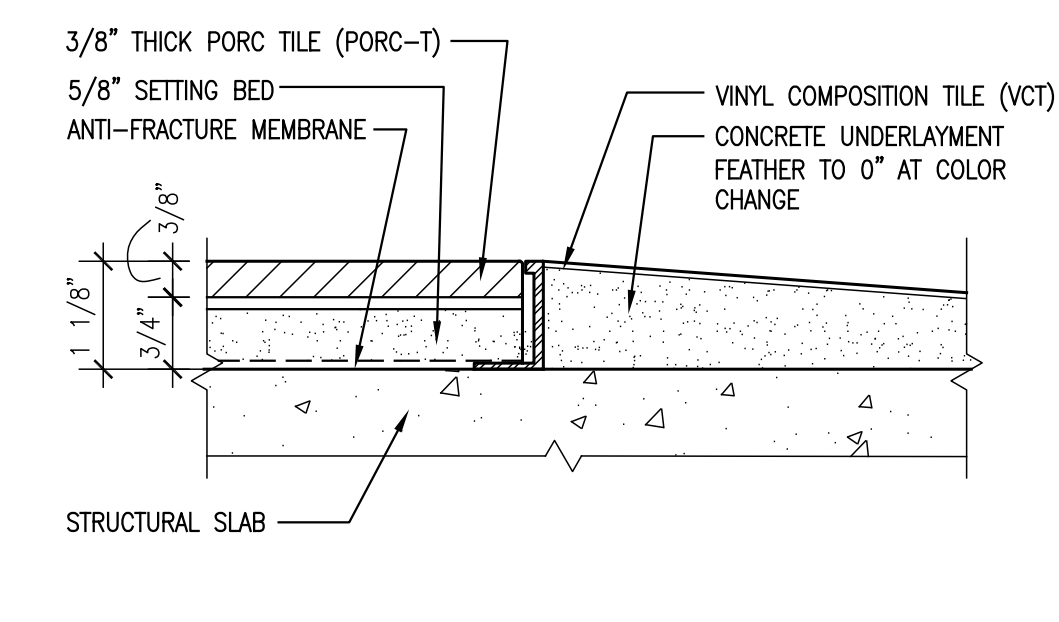
F3 TRANSITION STRIP DETAIL AT VCT TO EXPOSED CONCRETE
SCALE: 6\"/>



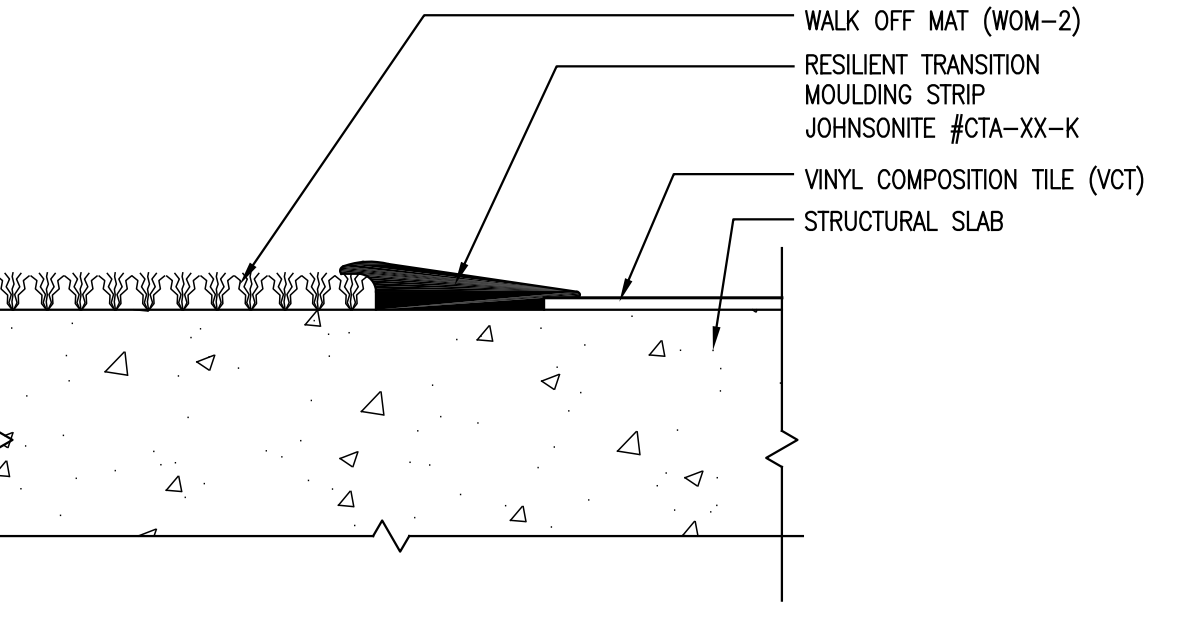
E4 HANDRAIL DETAIL
SCALE: 1 1/2\"/>



F4 TRANSITION DETAIL AT WALK OFF MAT WOM-1 TO WOM-2
SCALE: 1\"/>

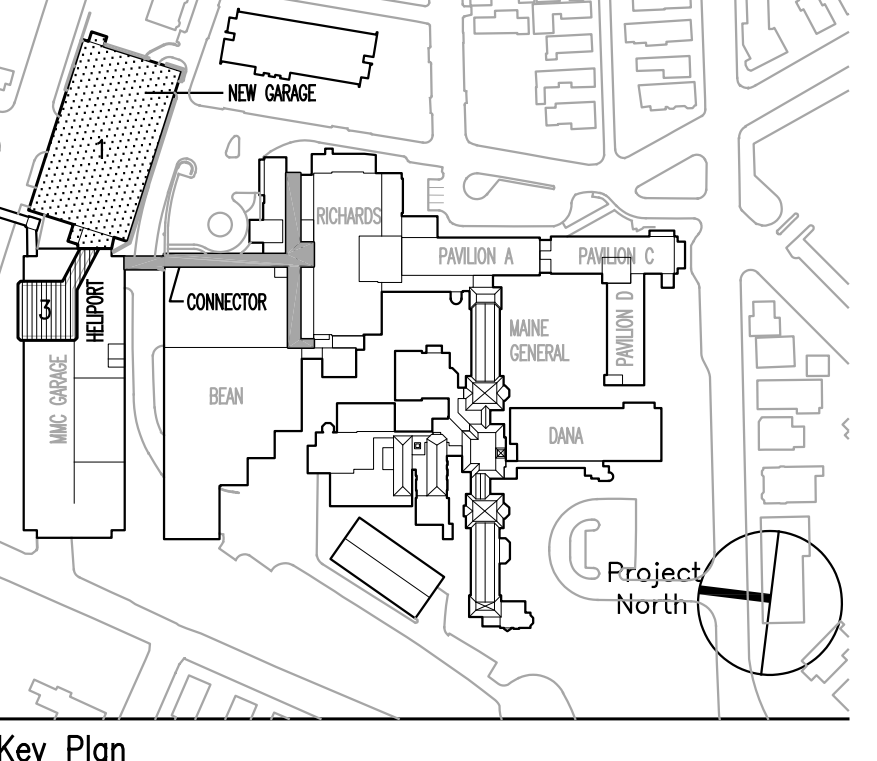


E5 TRANSITION DETAIL AT PORCELAIN TILE TO VCT
SCALE: 6\"/>



F5 TRANSITION STRIP DETAIL AT WALK OFF MAT WOM-1 TO VINYL COMPOSITION TILE (VCT)
SCALE: 6\"/>

MARK	ISSUE DATE	DESCRIPTION
PERMIT	09/18/04	PERMIT SET
BID	08/28/04	BID SET
Issue Log		



TRO
ARCHITECTURE
PLANNING
ENGINEERING
INTERIOR DESIGN
The Ritchie Organization
80 Bridge Street
Newton, MA 02459-1617
617-552-0044

Maine Medical Center
Pkg F - Garage / Vault / Conn / Heliport
Portland, ME MMC Project No. 21845

Drawing Title
MISCELLANEOUS DETAILS

Commission No.	4678	Date Issued	08/28/04
Scale	AS NOTED	Sheet Number	PKG-F
Drawn By	R6/AM/BJB	Checked By	AM
Approved By	AM		
Filename	4678A01.dwg		
Copyright	© 2004 The Ritchie Organization		