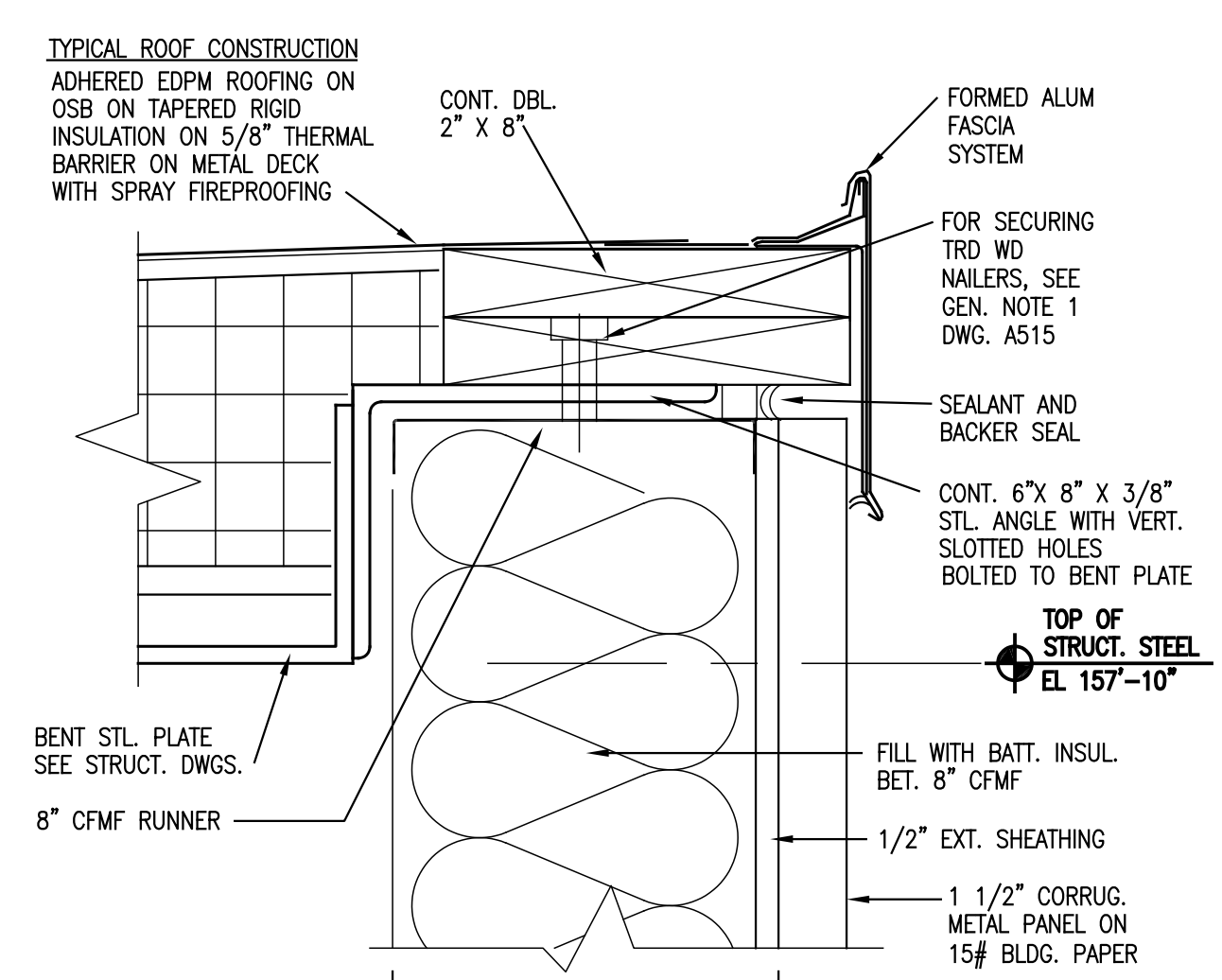
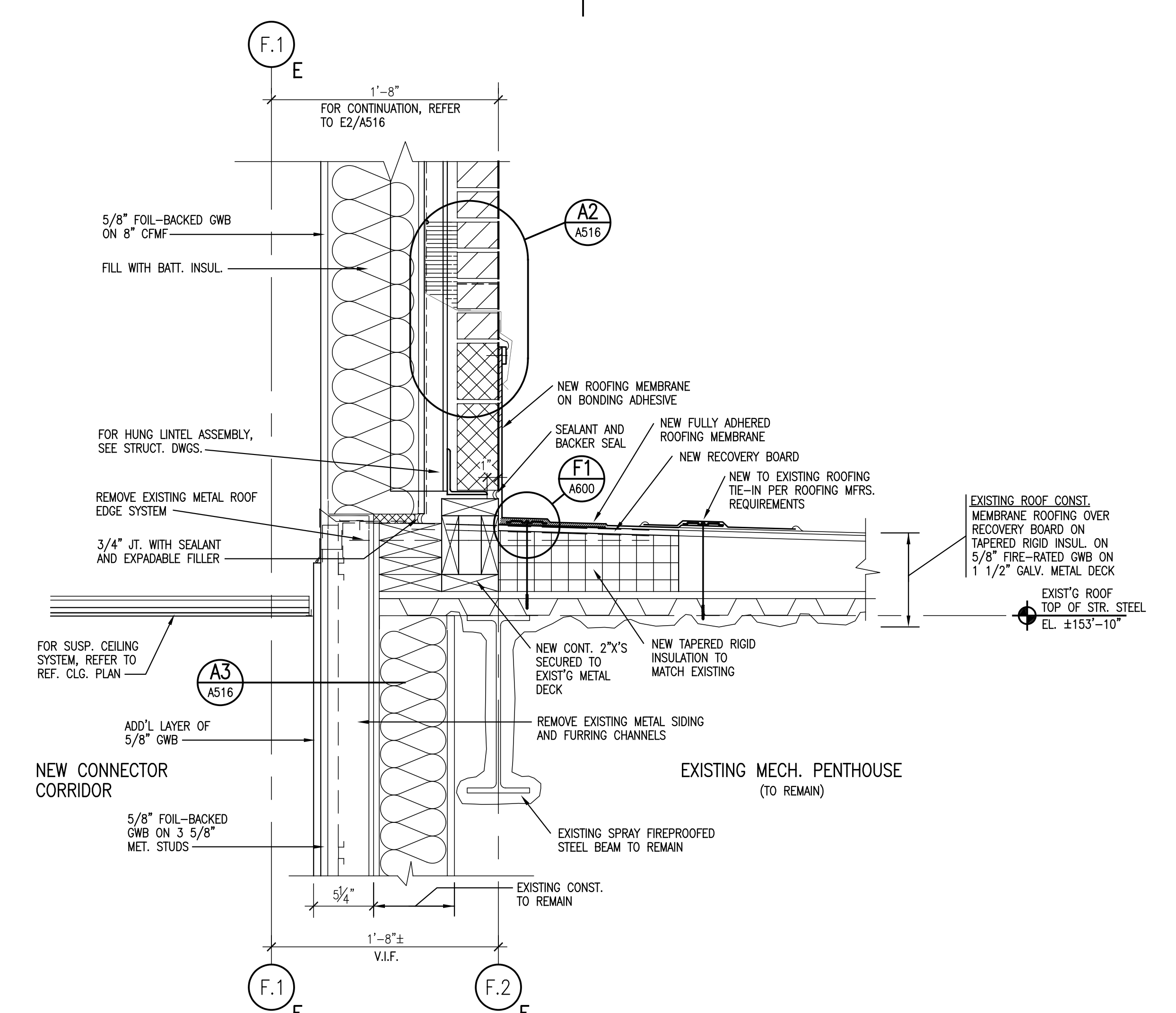


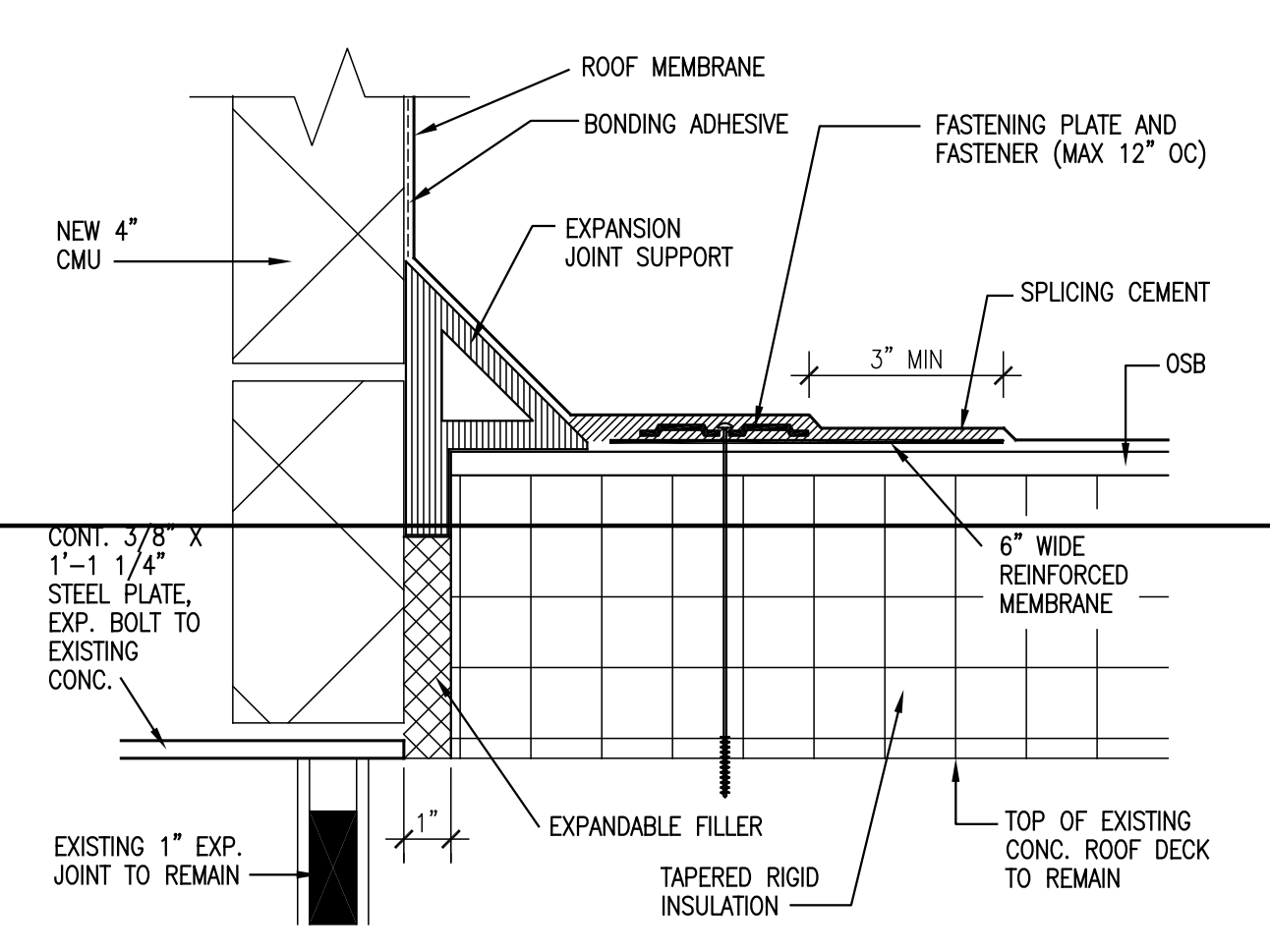
C1 SKYLIGHT FLASHING DETAIL  
SCALE: 1/2" = 1'-0"



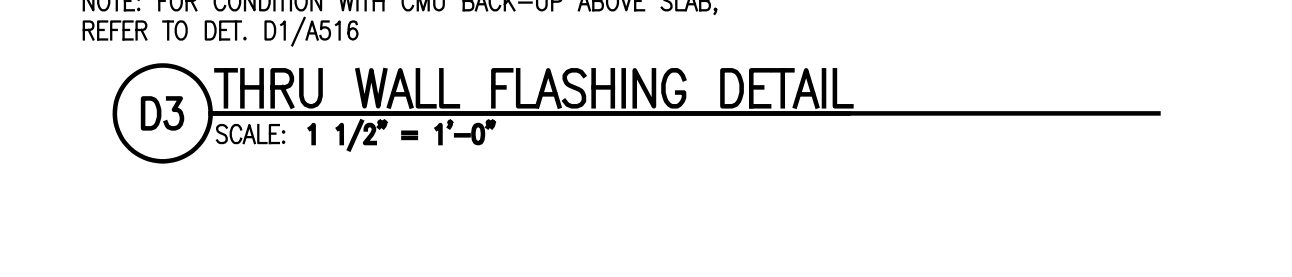
D1 SECTION DETAIL AT CORNICE WITH TEMPORARY CLOSURE  
SCALE: 3/8" = 1'-0"



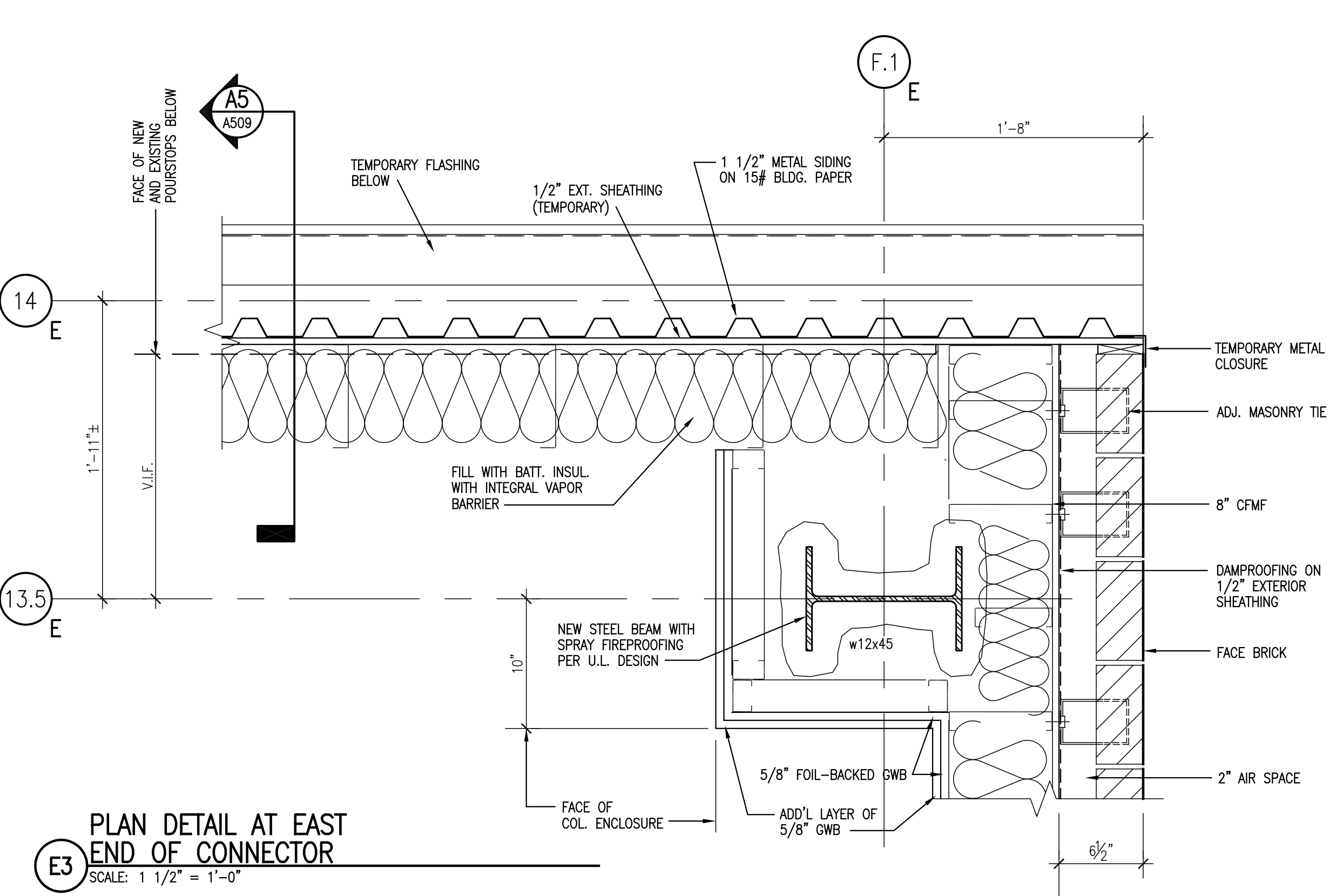
E2 CORNICE DETAIL AT EXISTING MECH. PENTHOUSE  
SCALE: 1/2" = 1'-0"



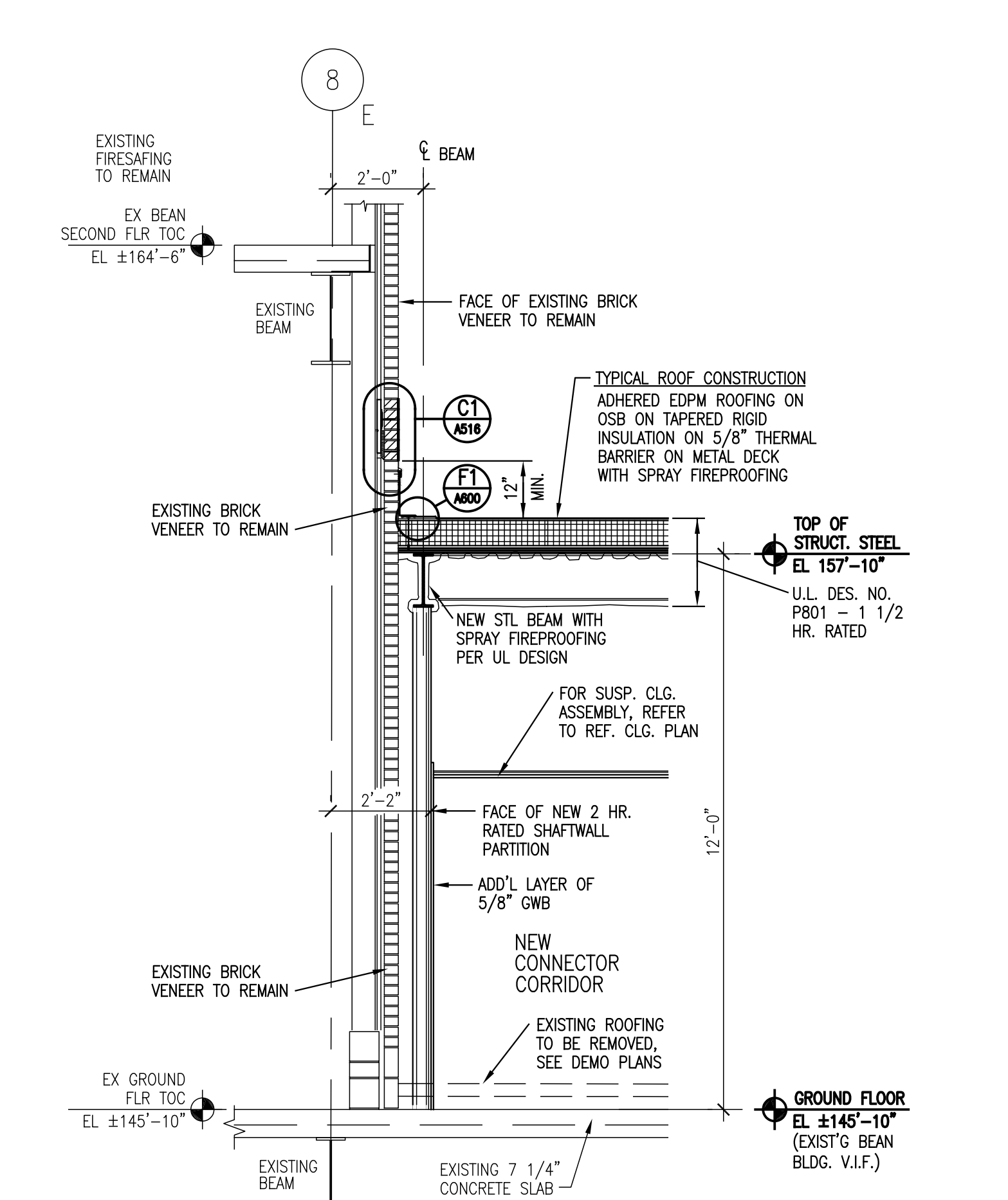
D2 ROOFING DET. ABOVE EXIST'G EXP. JOINT  
SCALE: NOT TO SCALE



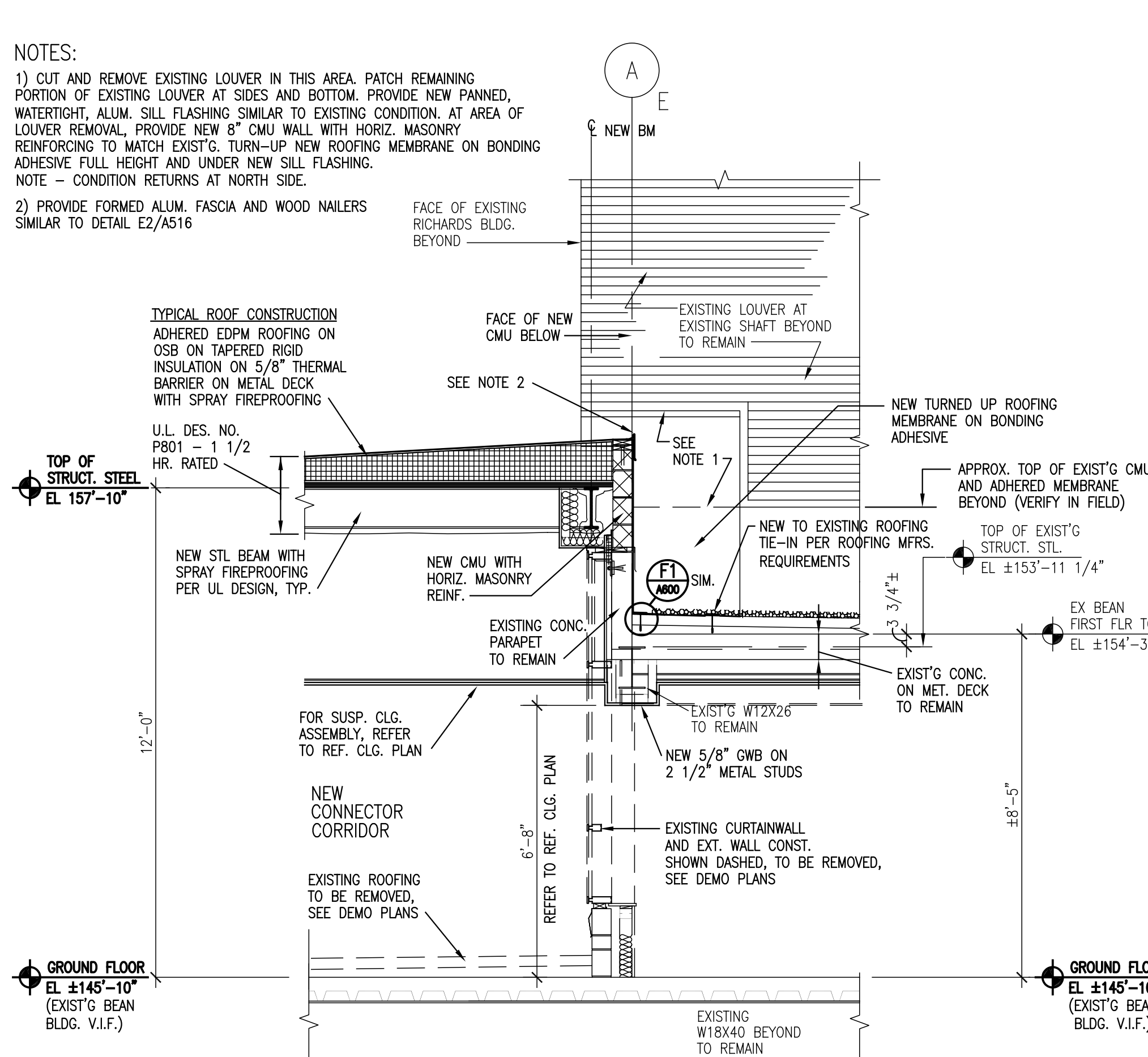
D3 THRU WALL FLASHING DETAIL  
SCALE: 1/2" = 1'-0"



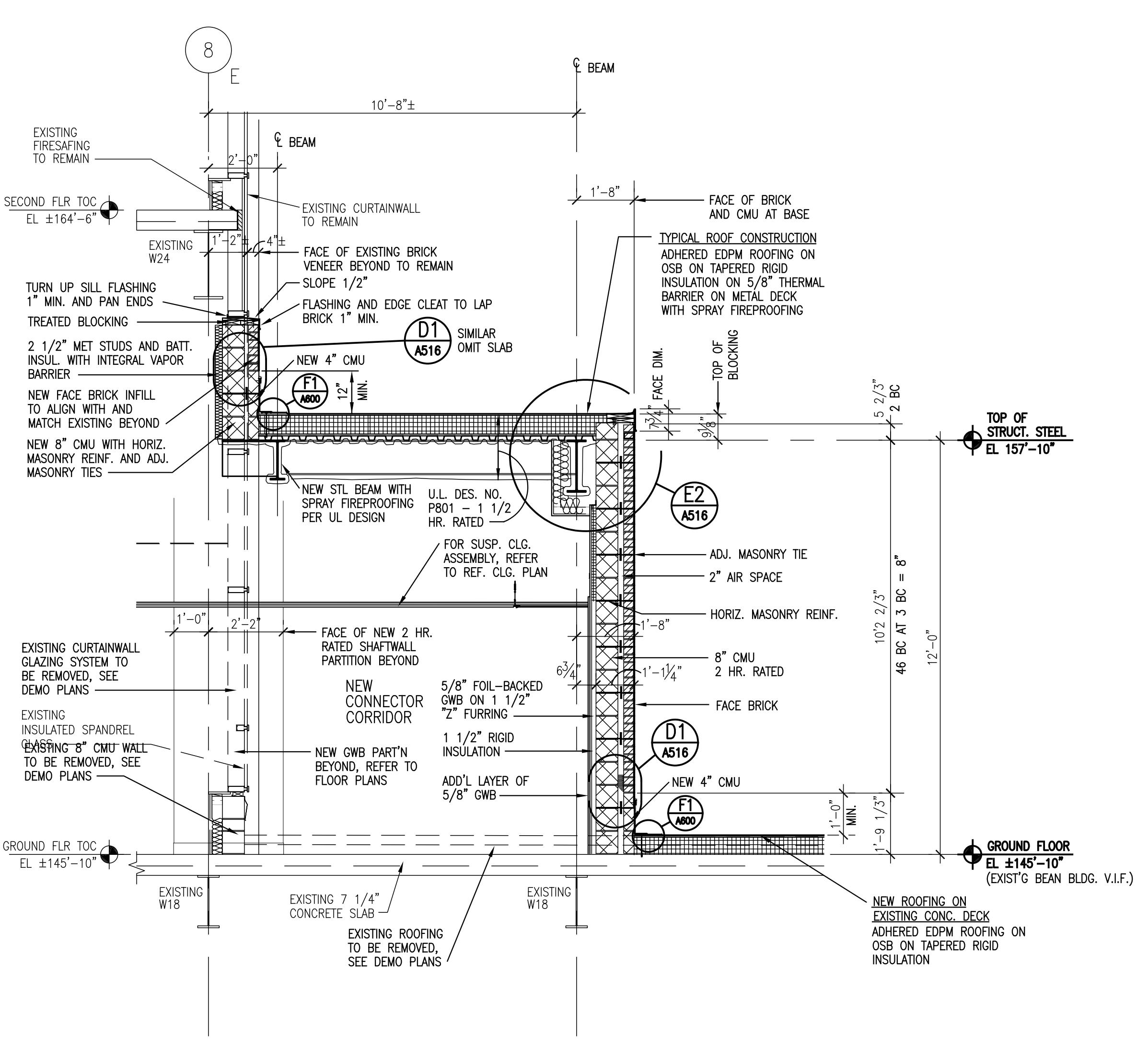
E3 PLAN DETAIL AT EAST END OF CONNECTOR  
SCALE: 1/2" = 1'-0"



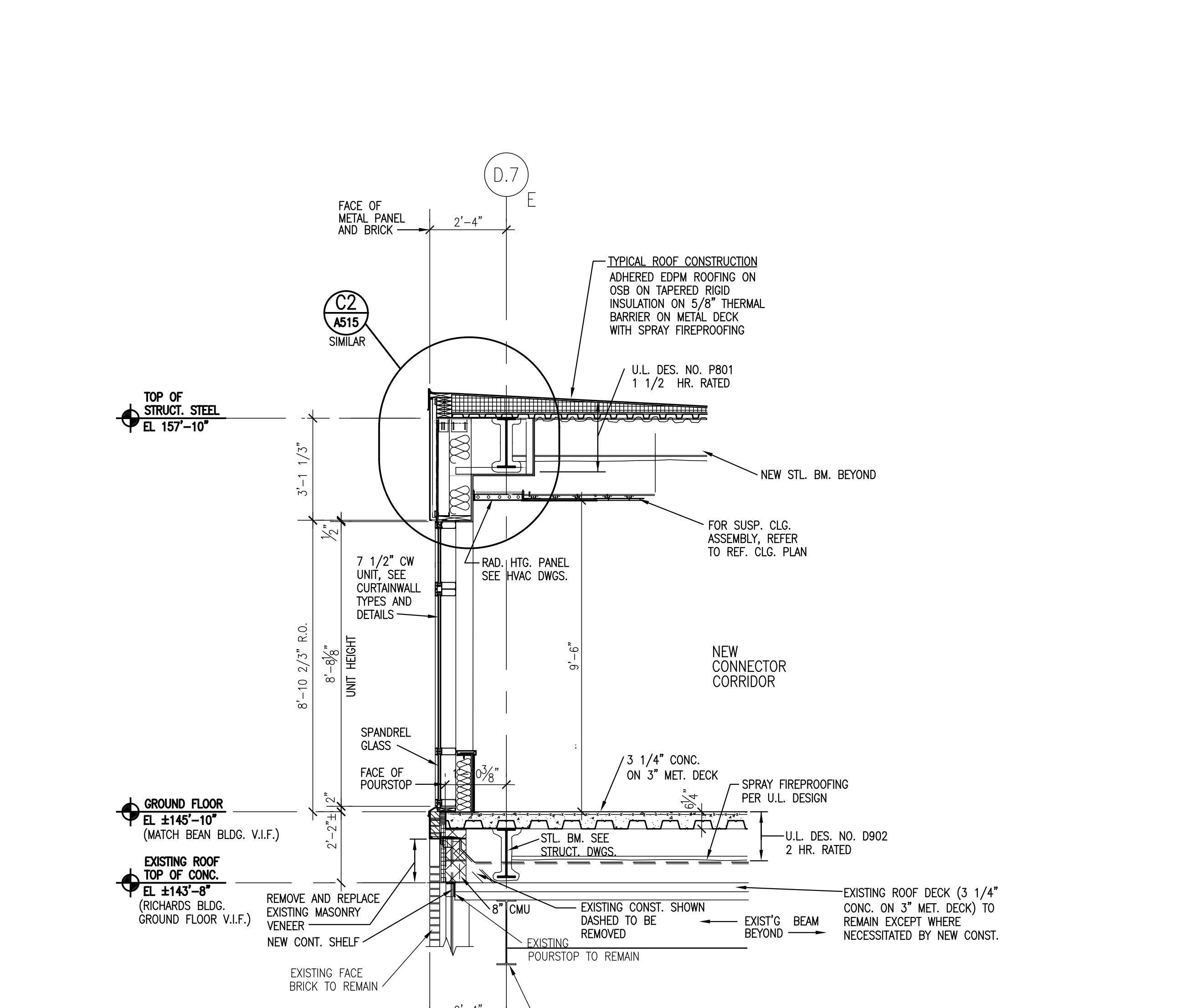
A3 CROSS SECTION THRU WEST CONNECTOR AT EXISTING FACE BRICK  
SCALE: 3/8" = 1'-0"



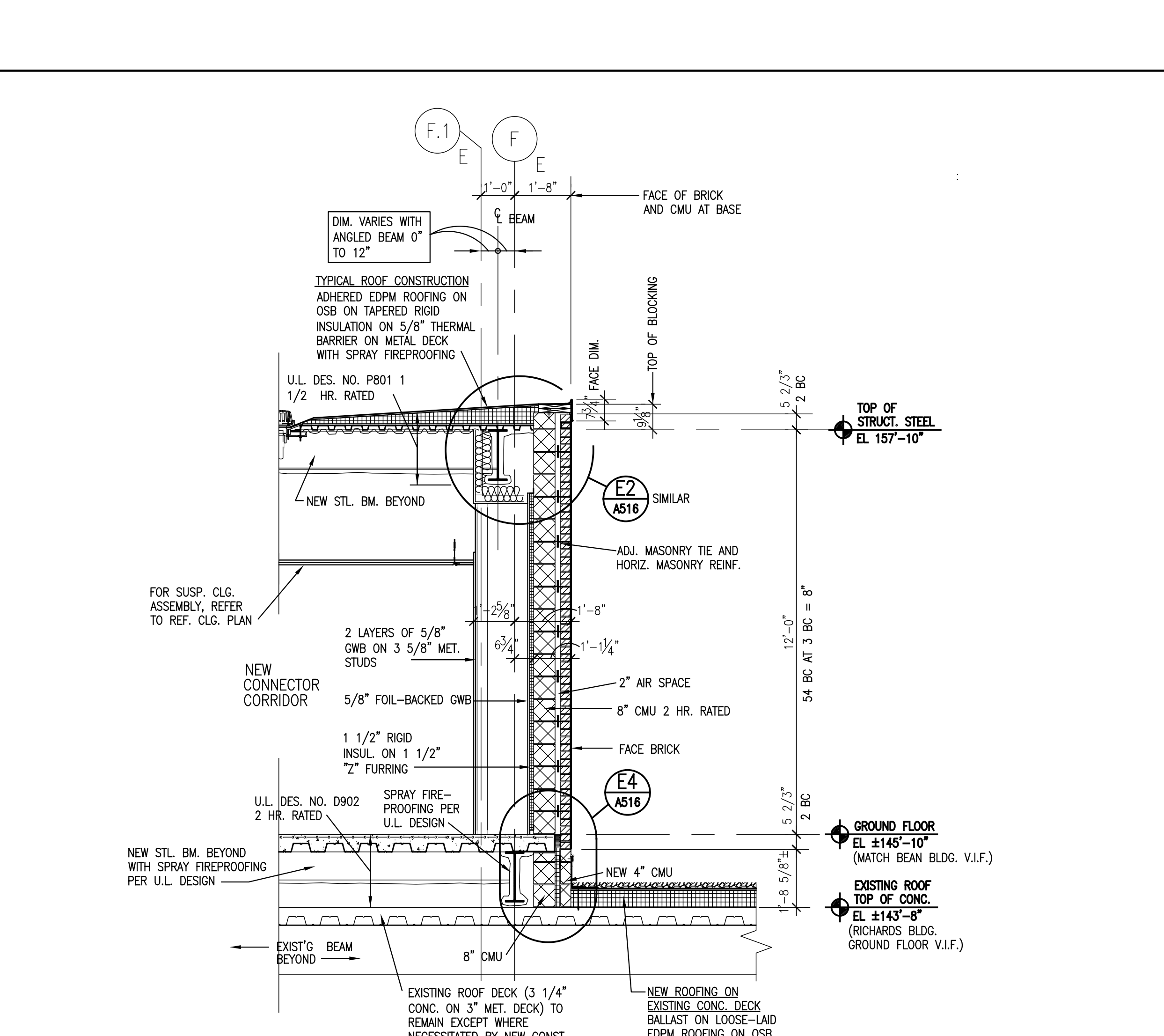
C3 CROSS SECTION THRU WEST CONNECTOR AT EXISTING A LINE  
SCALE: 3/8" = 1'-0"



A5 CROSS SECTION THRU WEST CONNECTOR AT SOUTHWEST CORNER  
SCALE: 3/8" = 1'-0"



C5 CROSS SECTION THRU EAST CONNECTOR AT CW  
SCALE: 3/8" = 1'-0"

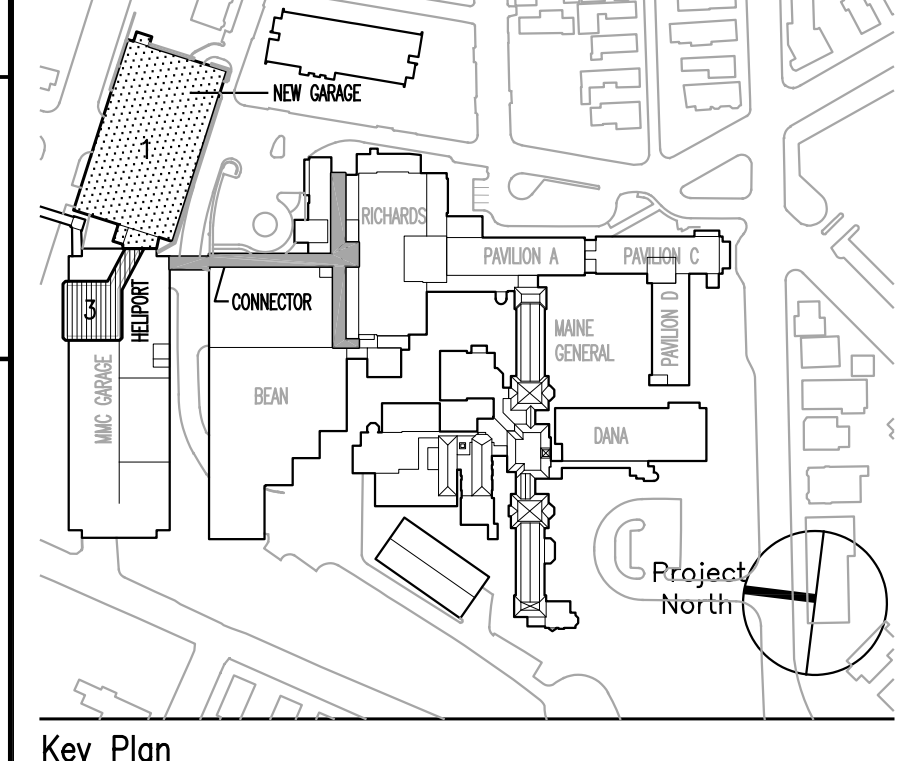


E5 WALL SECTION THRU CONNECTOR AT ANGLED BEAM  
SCALE: 3/8" = 1'-0"

NOTES:  
1) CUT AND REMOVE EXISTING LOUVER IN THIS AREA. PATCH REMAINING PORTION OF EXISTING LOUVER AT SIDES AND BOTTOM. PROVIDE NEW PANNED, INTERIOR, ALUM. SILL FLASHING SIMILAR TO EXISTING CONDITION. AT AREA OF LOUVER REMOVAL, PROVIDE NEW 8" CMU WALL WITH HORIZ. MASONRY REINFORCING TO MATCH EXIST'G. TURN-UP NEW ROOFING MEMBRANE ON BONDING ADHESIVE FULL HEIGHT AND UNDER NEW SILL FLASHING. NOTE - CONDITION RETURNS AT NORTH SIDE.  
2) PROVIDE FORMED ALUM. FASCIA AND WOOD NAILERS SIMILAR TO DETAIL E2/A516

MARK	ISSUE DATE	DESCRIPTION
PERMIT	09/18/04	PERMIT SET
BD	08/28/04	BD SET

Issue Log



**TRO**  
ARCHITECT  
PLANNING  
ENGINEERING  
INTERIOR  
The Ritchie Organizat'  
80 Bridge Street  
Newton, MA 02459-1617-989-04

**Maine Medical Center**  
Pkg F - Garage / Vault / Conn / Heliport  
Portland, ME  
MMC Project No. 21845

Drawing Title  
**CONSTRUCTION DETAILS**  
NO. 6

Commission No.	4678	Date Issued	08/28/04
Scale	AS NOTED	Sheet Number	PKG-F
Drawn By	RAC	Checked By	BS
Approved By	BS	File Name	A517.dwg
Copyright © 2004	The Ritchie Organization		