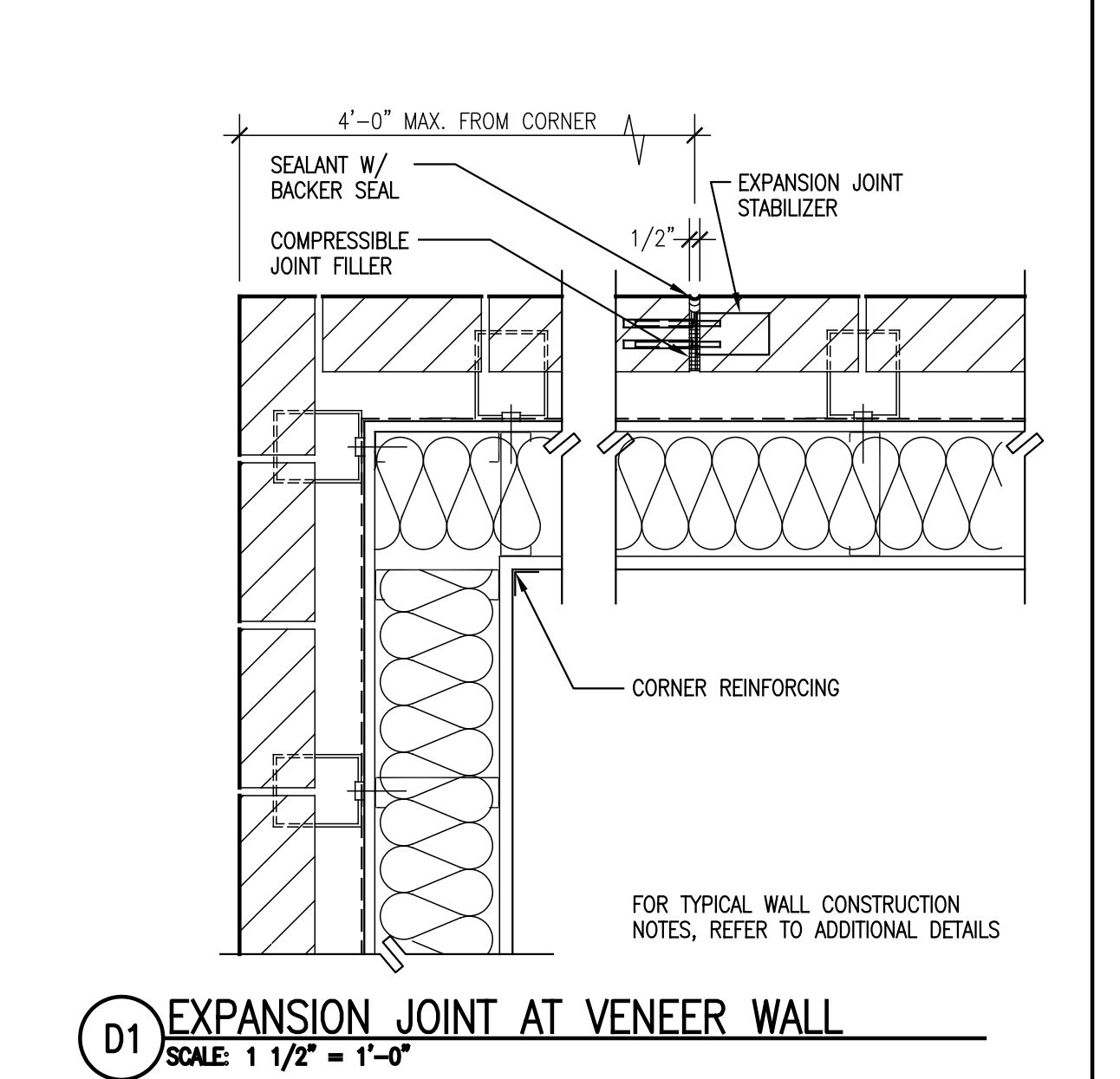
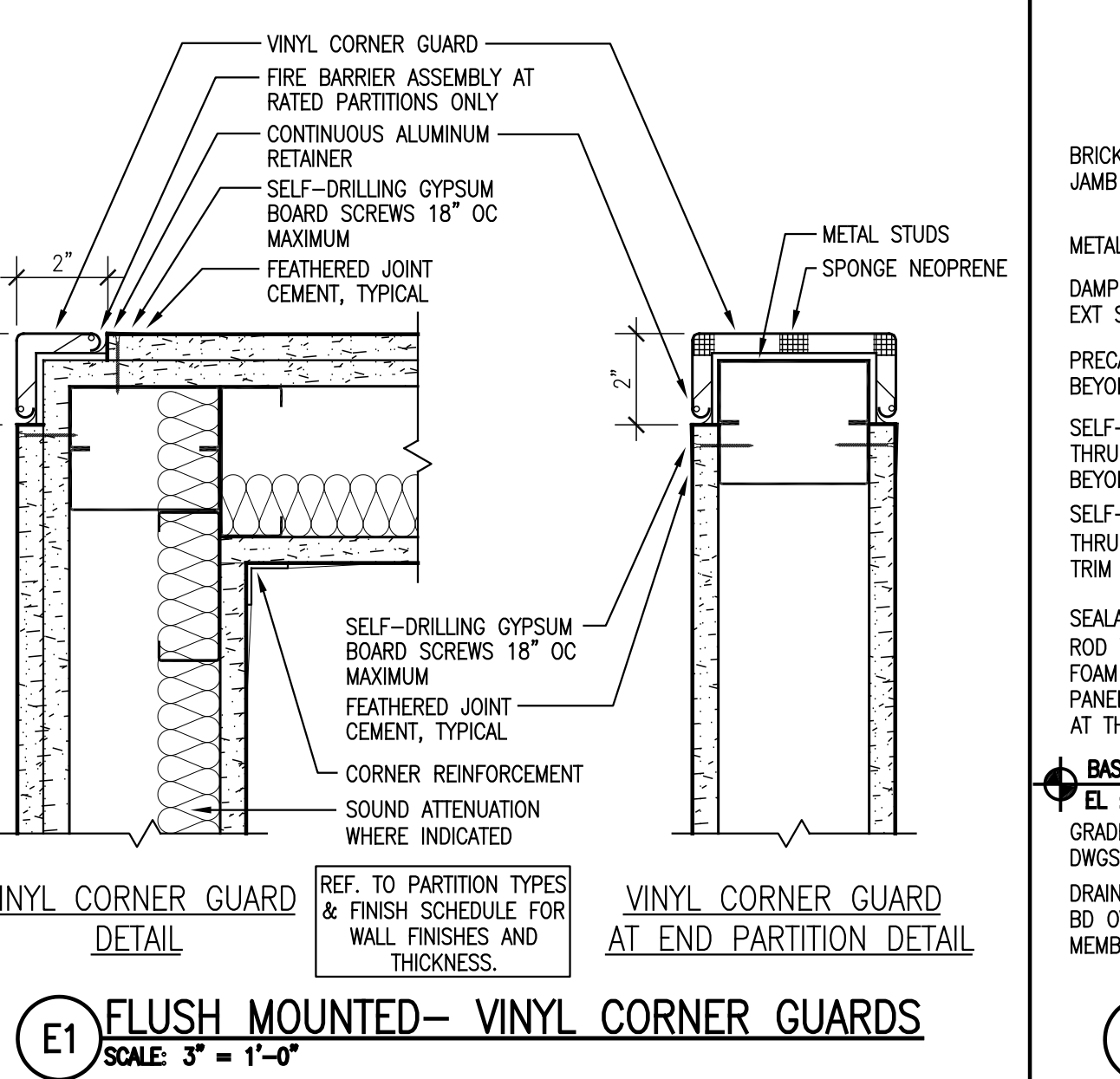


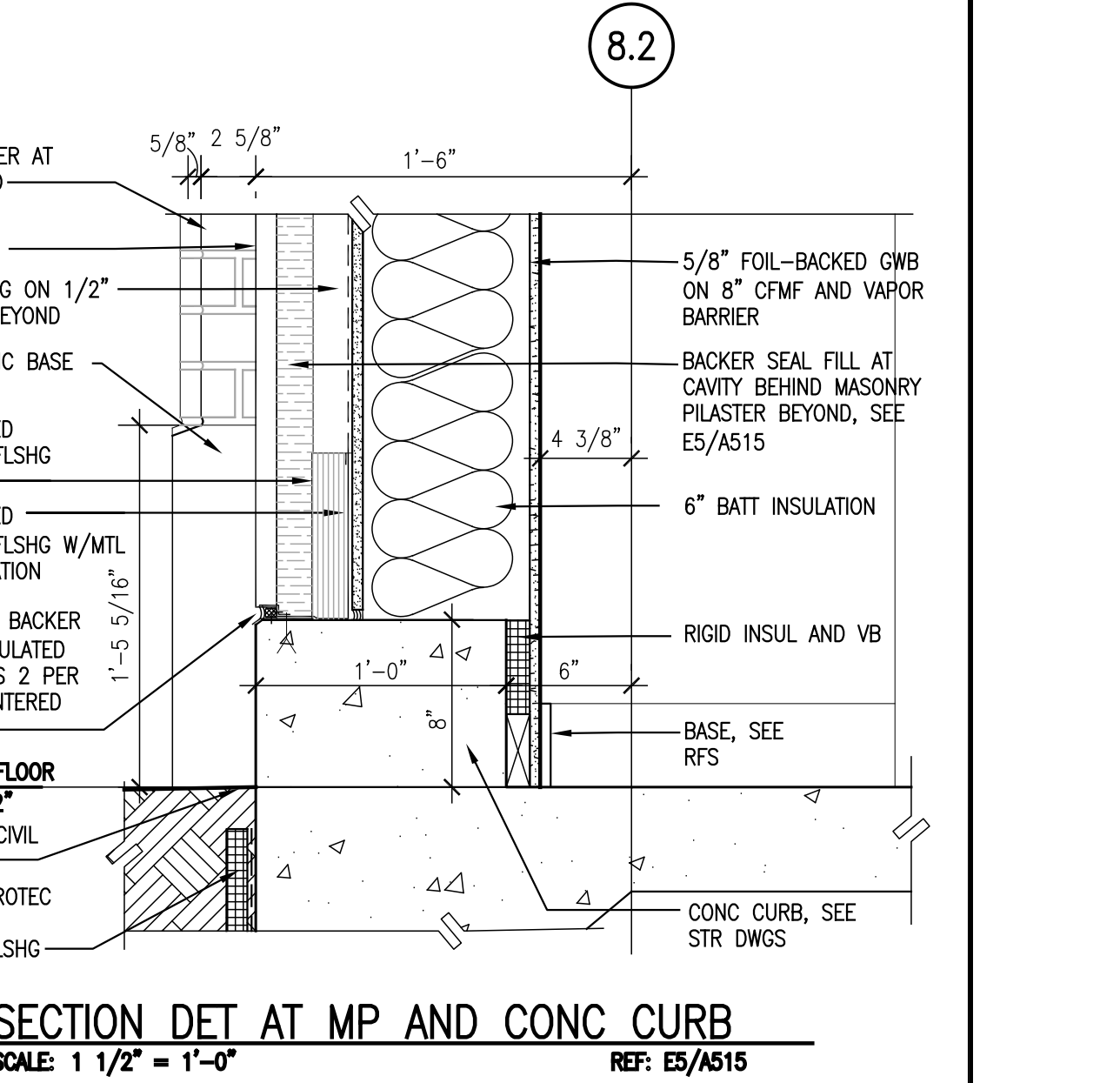
C1 CORNER GUARD ELEVATION  
SCALE 1/2" = 1'-0"



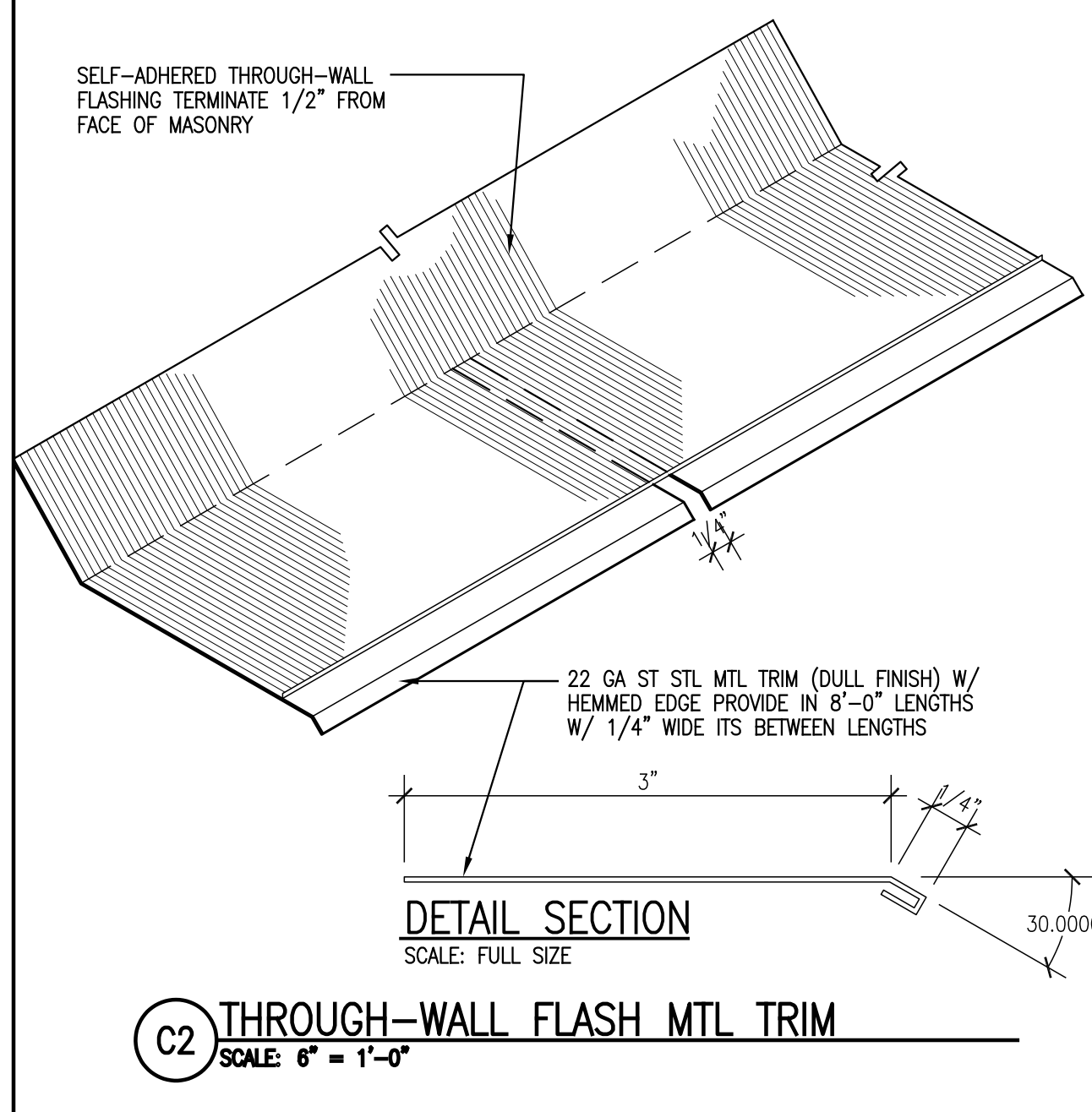
D1 EXPANSION JOINT AT VENEER WALL  
SCALE 1/2" = 1'-0"



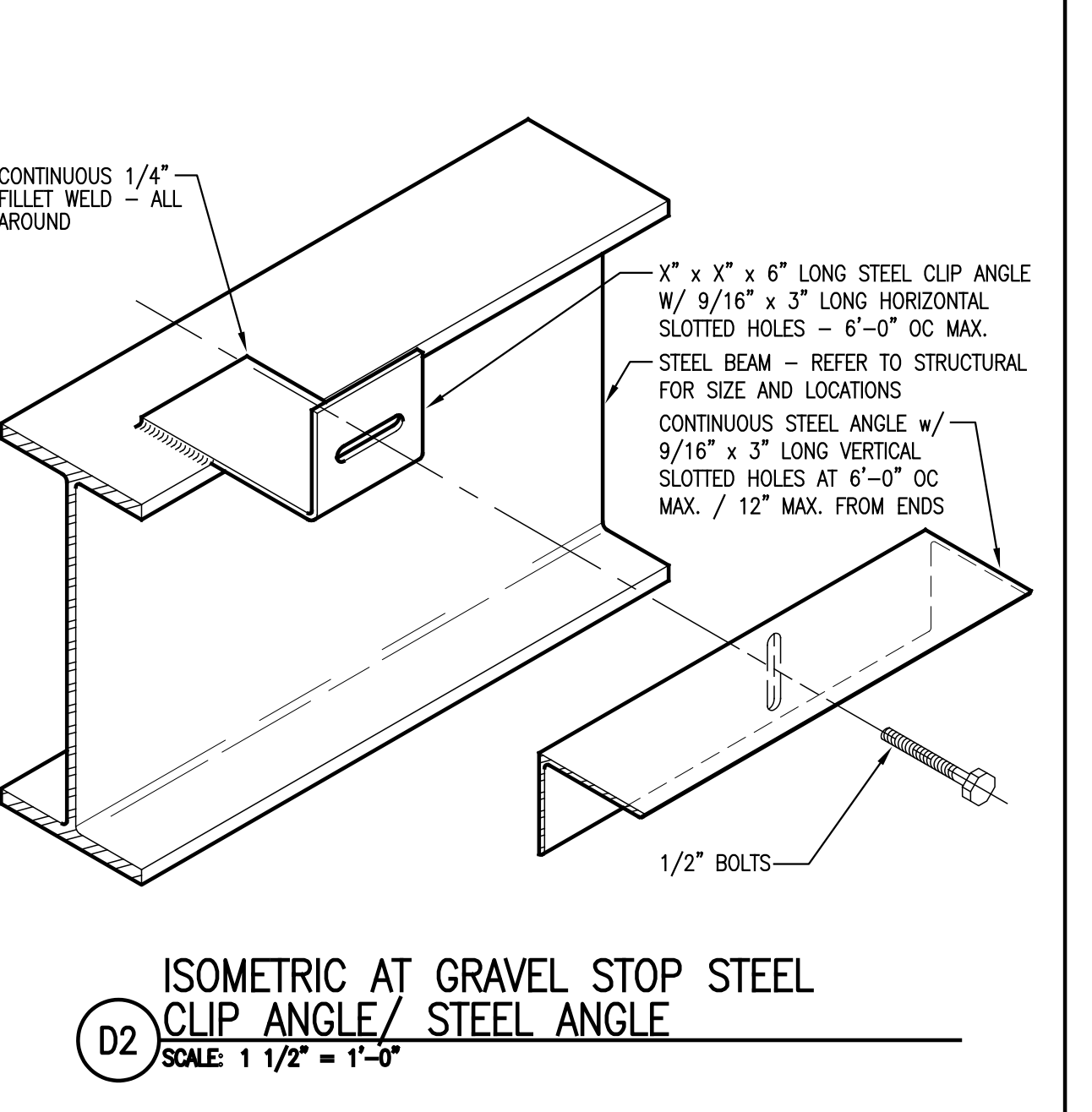
E1 FLUSH MOUNTED - VINYL CORNER GUARDS  
SCALE 3/4" = 1'-0"



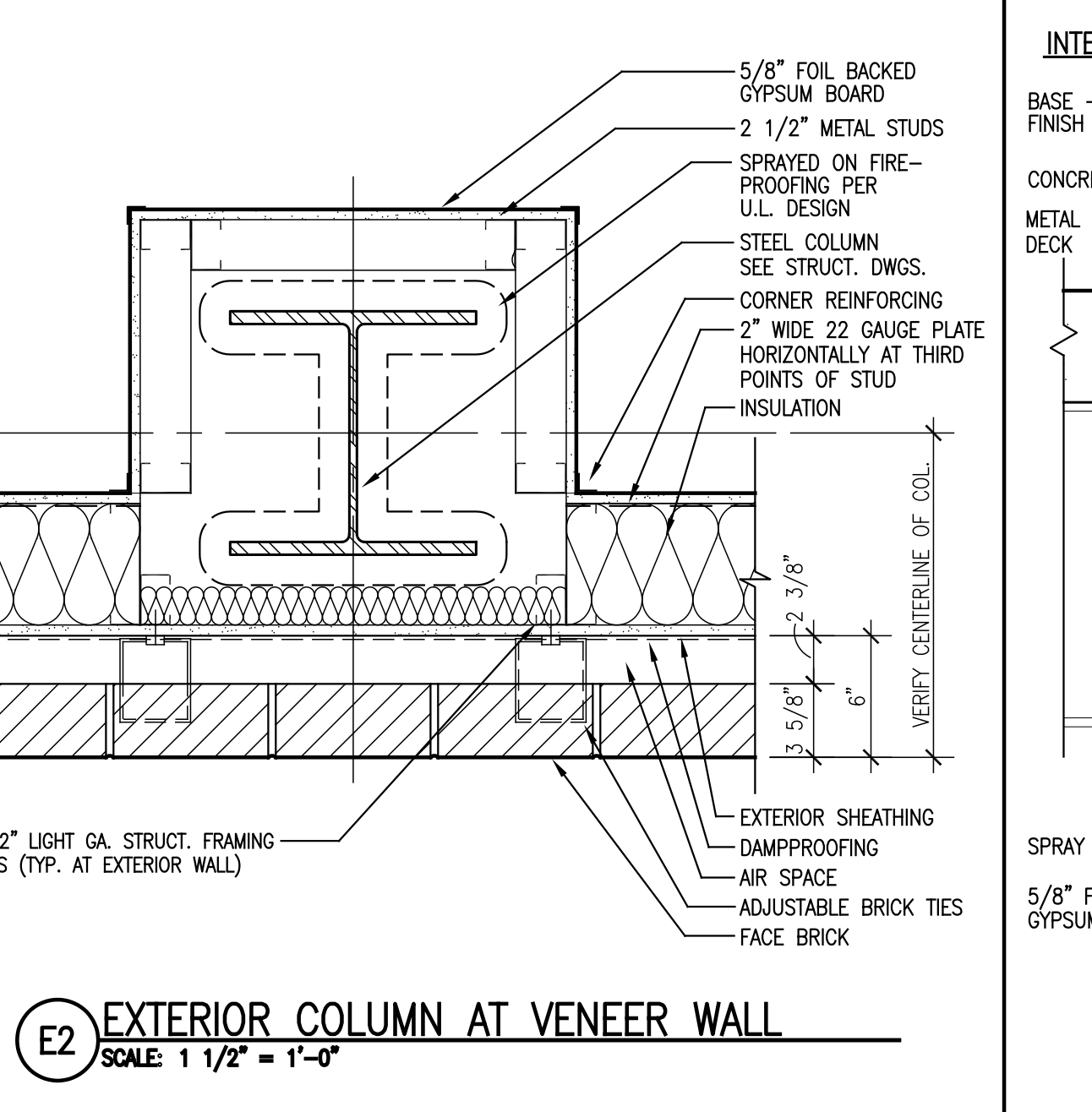
F1 SECTION DET AT MP AND CONC CURB  
SCALE 1/2" = 1'-0"



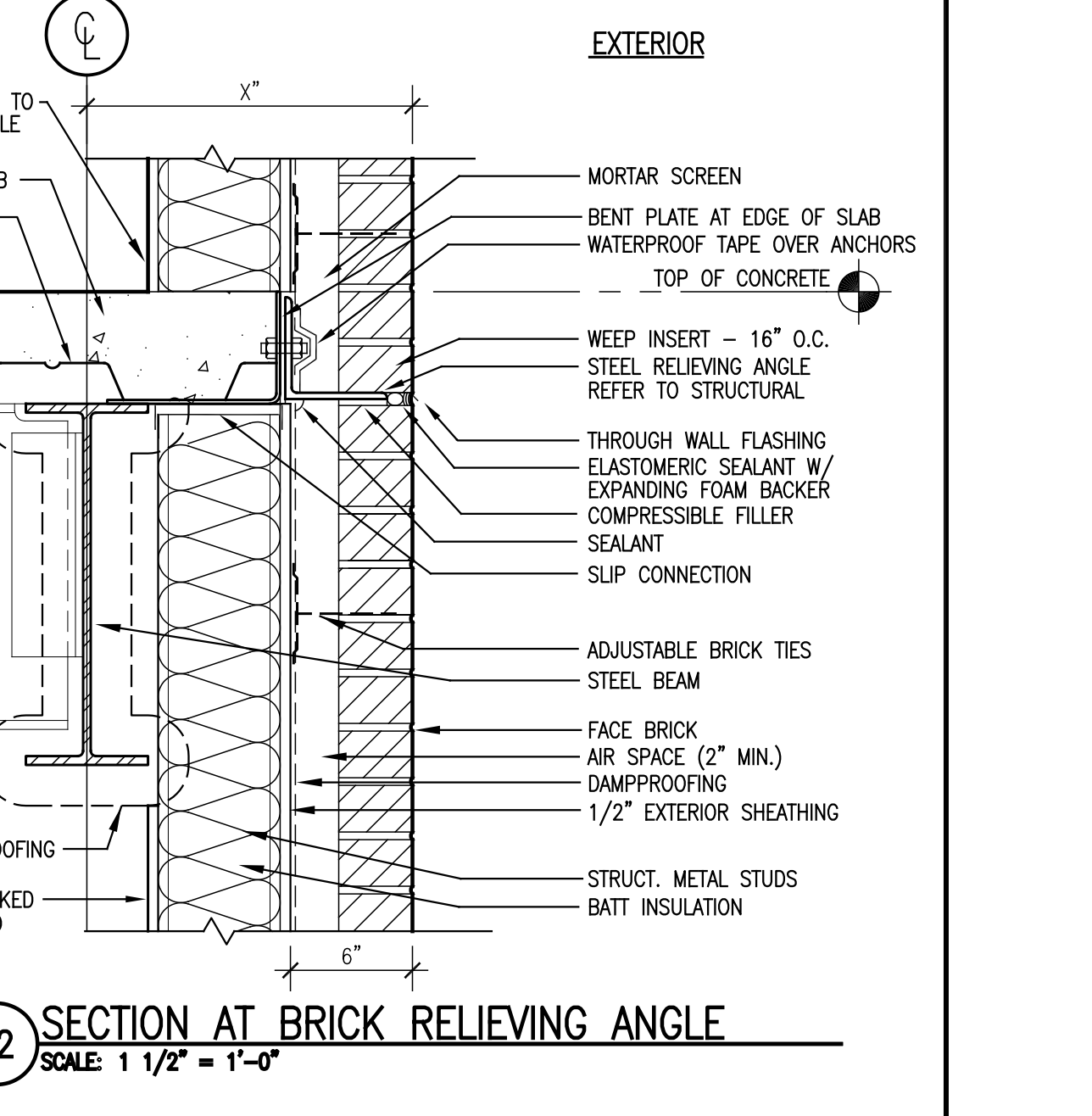
C2 THROUGH-WALL FLASH MTL TRIM  
SCALE 6" = 1'-0"



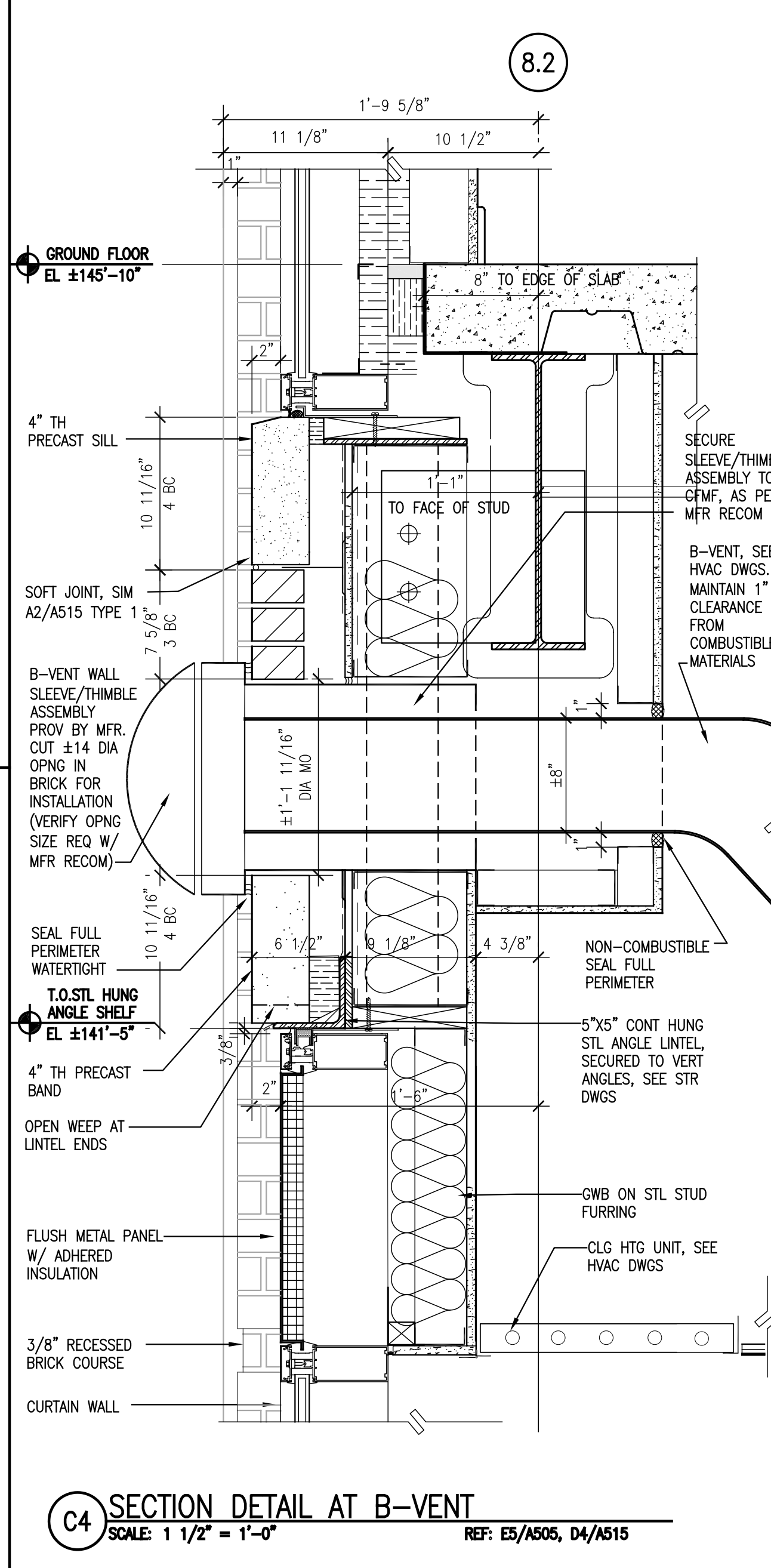
D2 ISOMETRIC AT GRAVEL STOP STEEL CLIP ANGLE / STEEL ANGLE  
SCALE 1/2" = 1'-0"



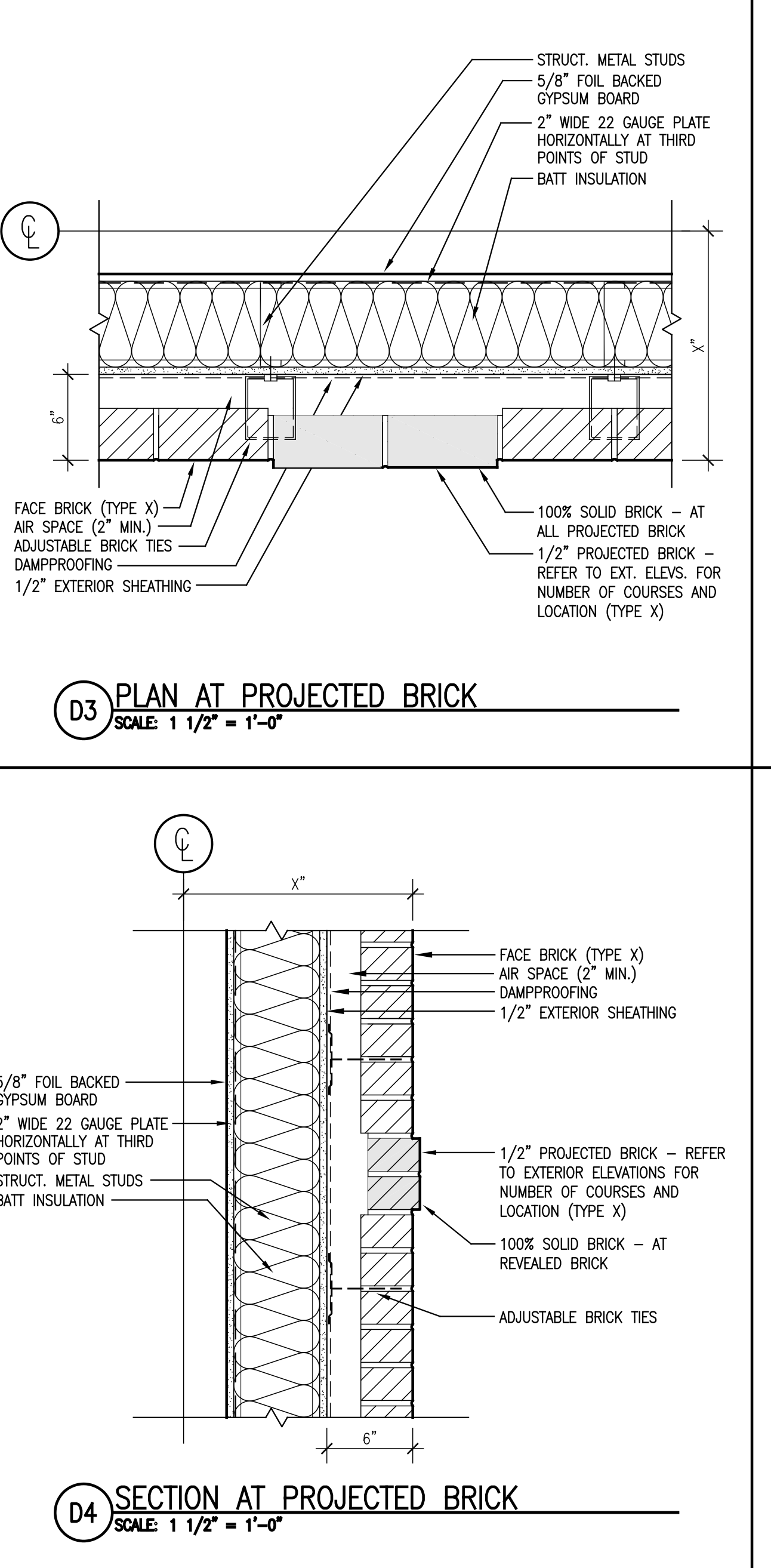
E2 EXTERIOR COLUMN AT VENEER WALL  
SCALE 1/2" = 1'-0"



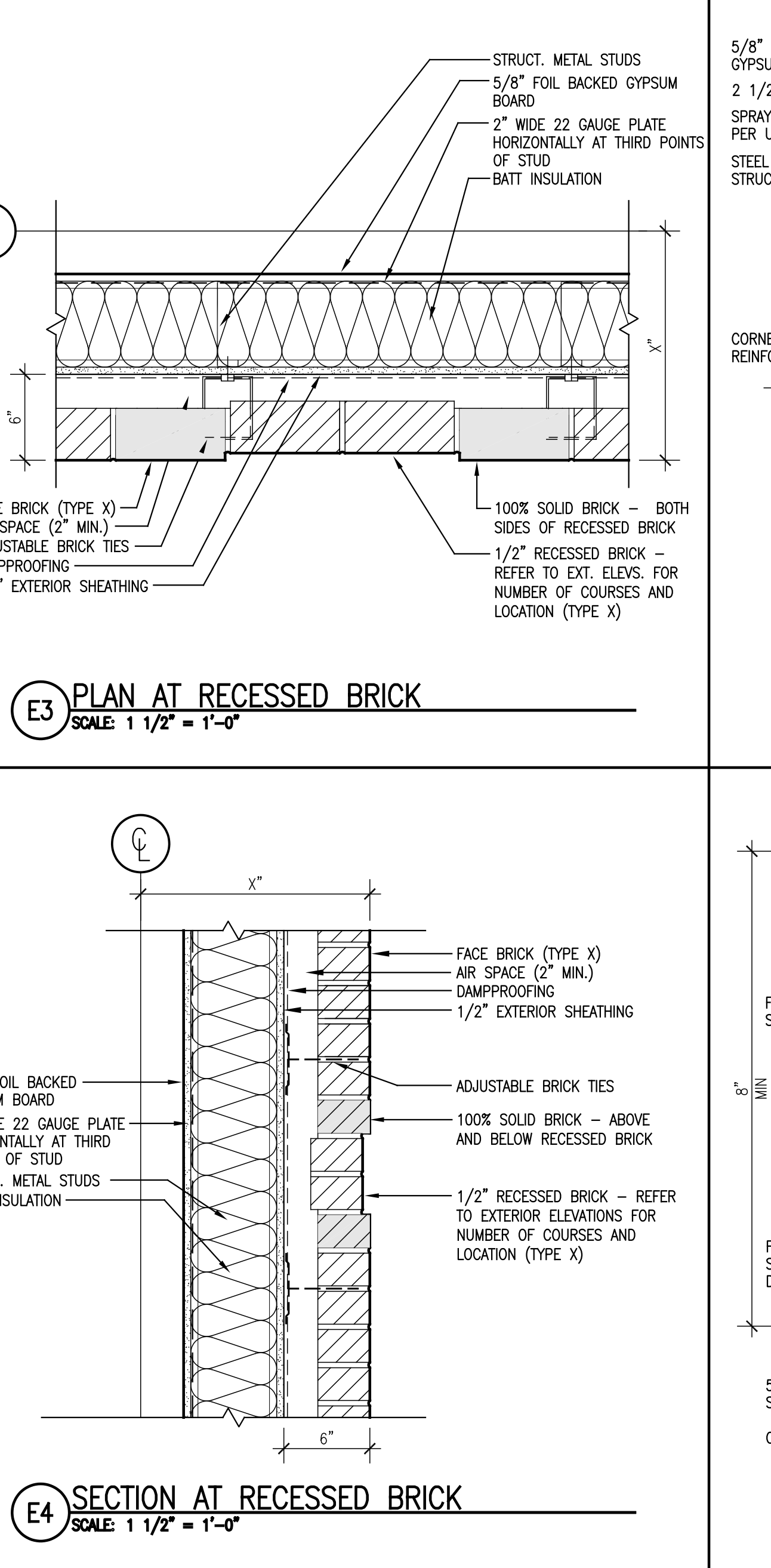
F2 SECTION AT BRICK RELIEVING ANGLE  
SCALE 1/2" = 1'-0"



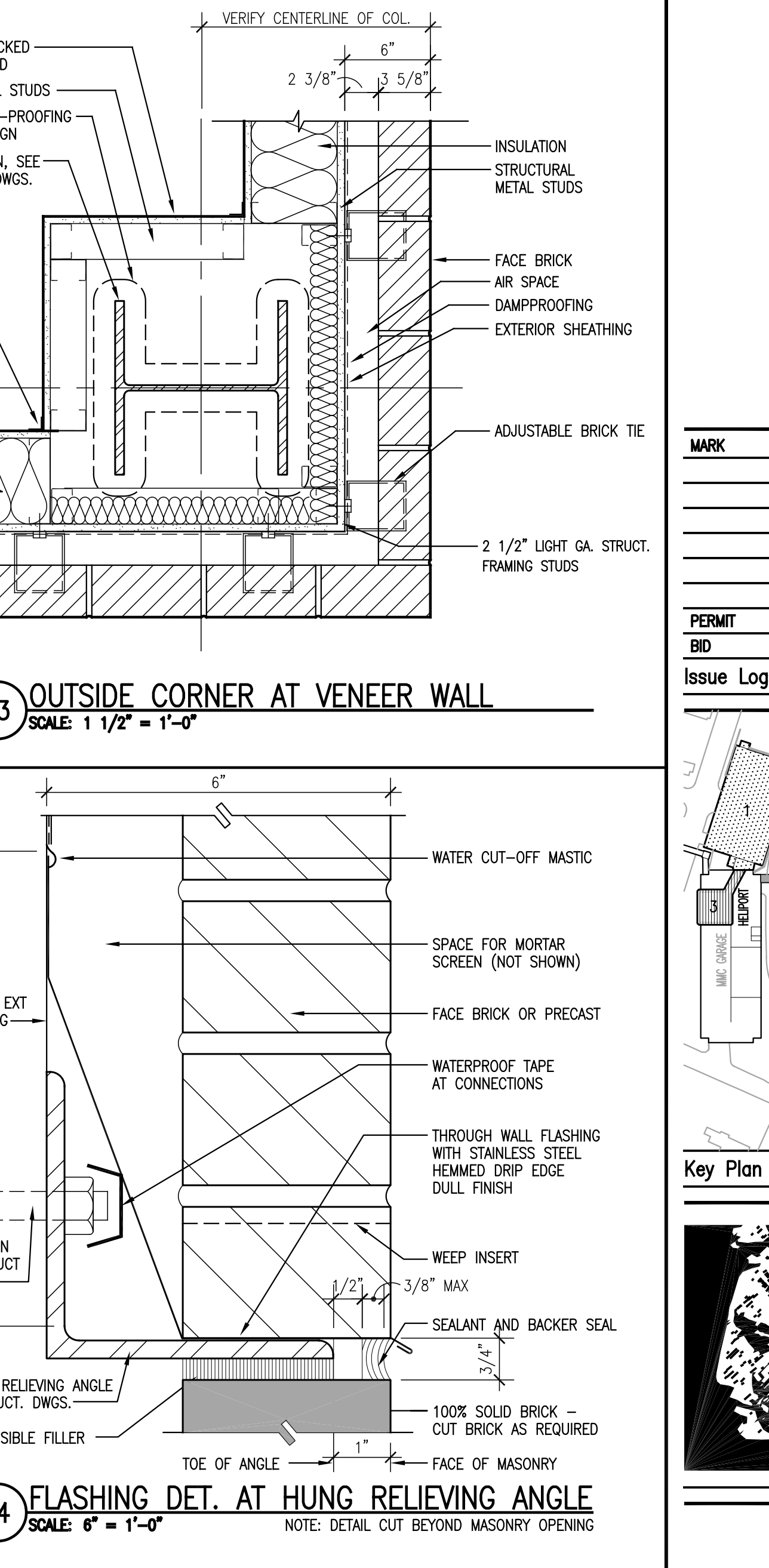
C4 SECTION DETAIL AT B-VENT  
SCALE 1/2" = 1'-0"



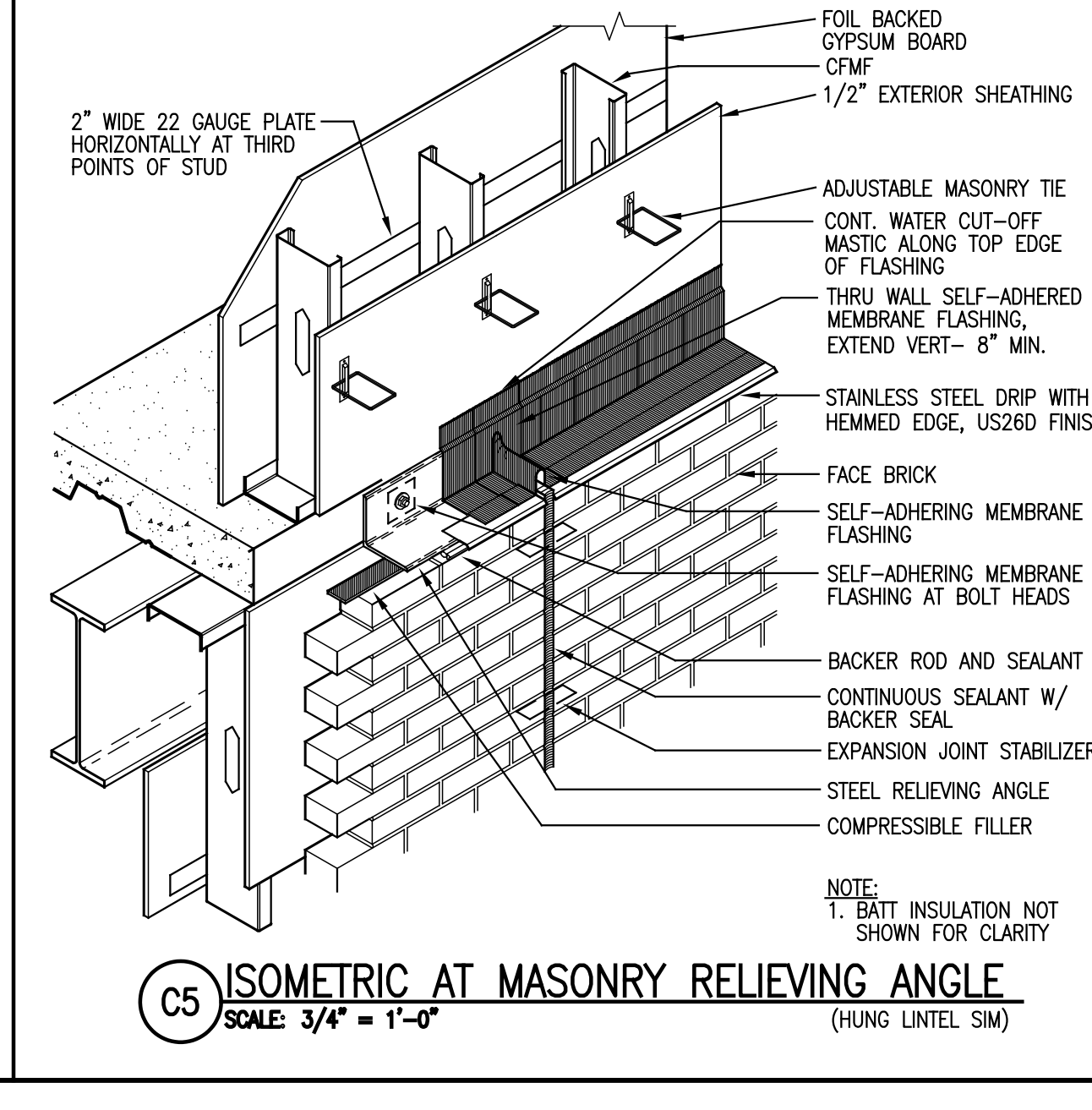
D3 PLAN AT PROJECTED BRICK  
SCALE 1/2" = 1'-0"



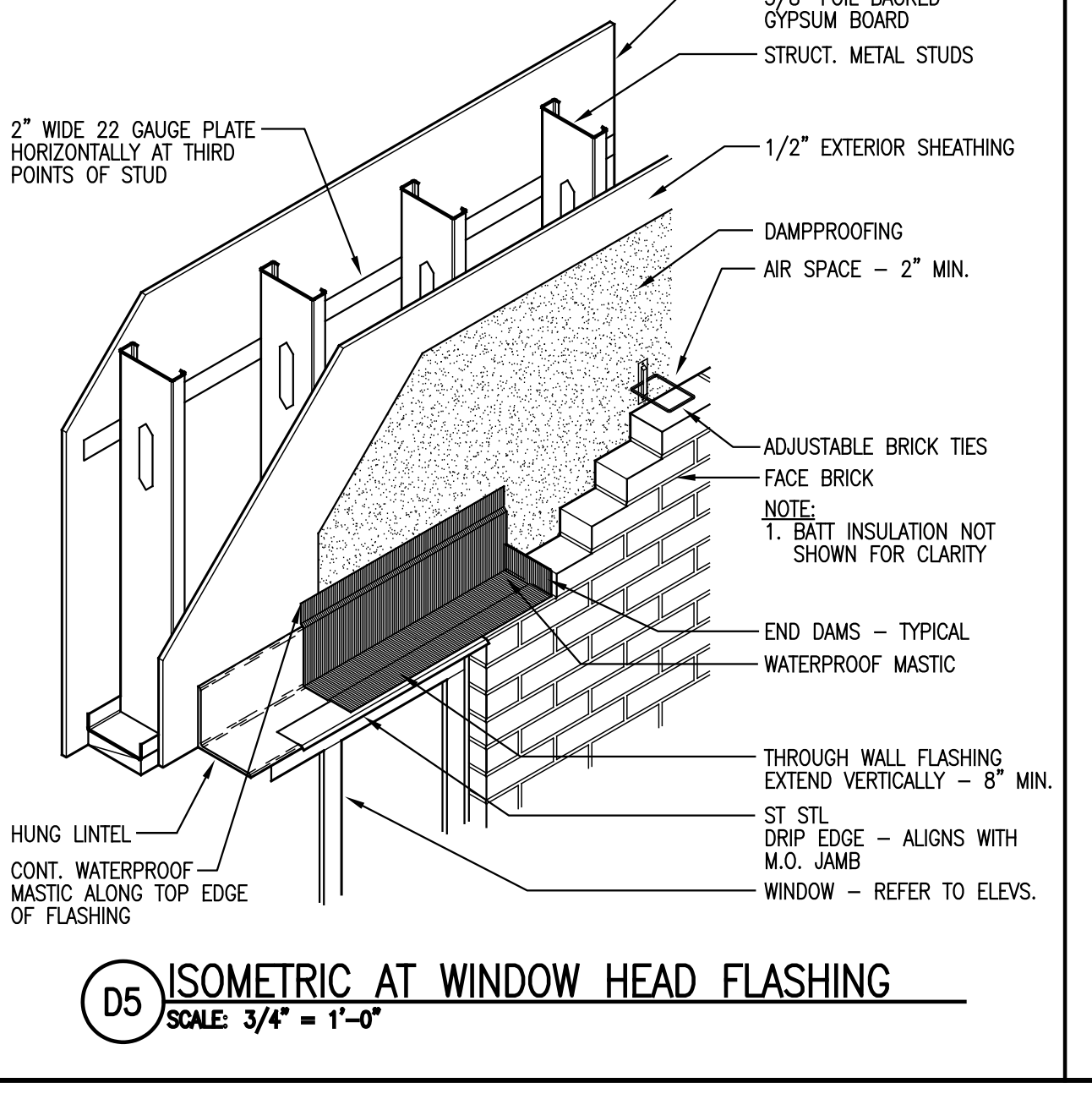
E3 PLAN AT RECESSED BRICK  
SCALE 1/2" = 1'-0"



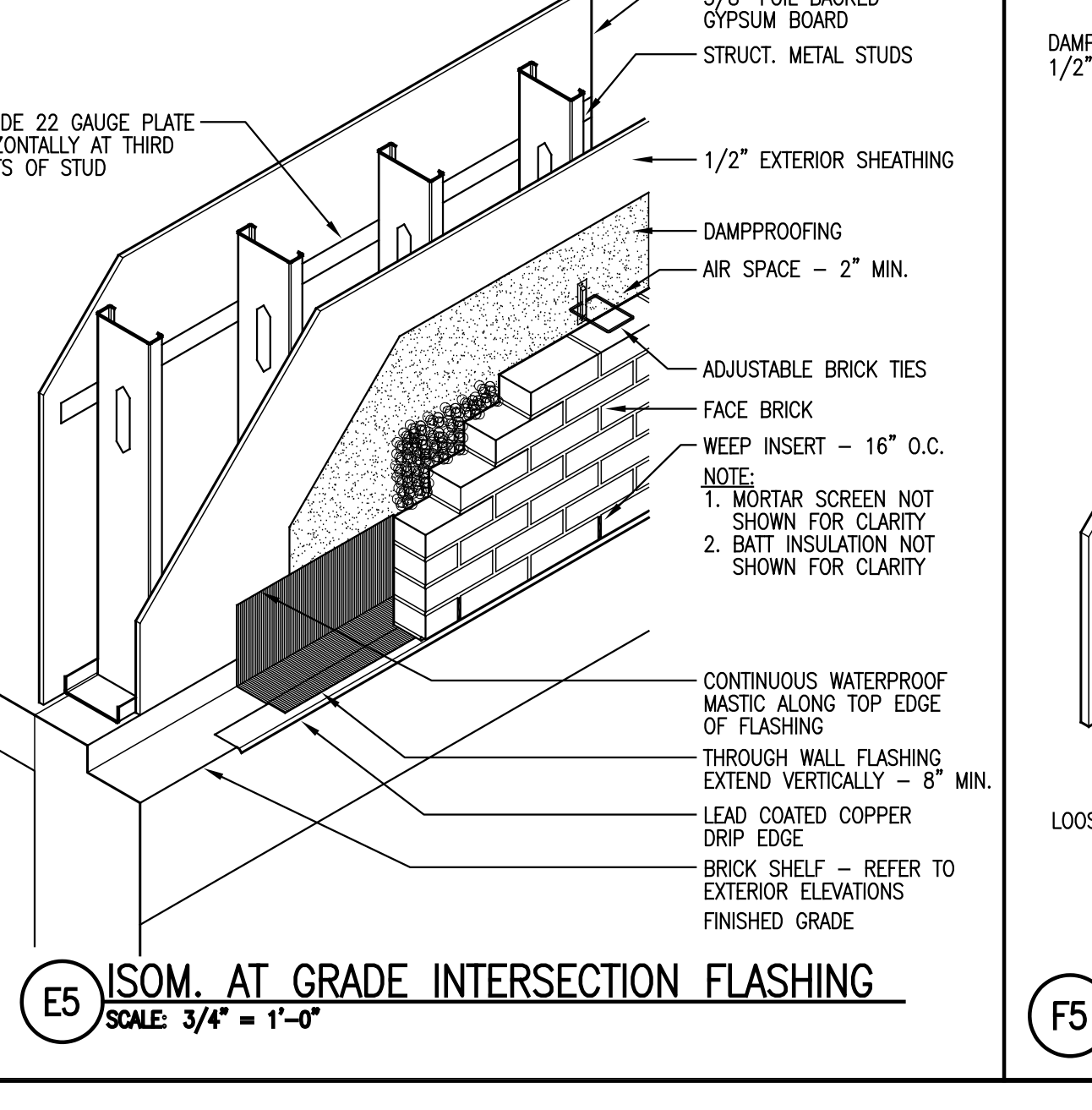
F3 OUTSIDE CORNER AT VENEER WALL  
SCALE 1/2" = 1'-0"



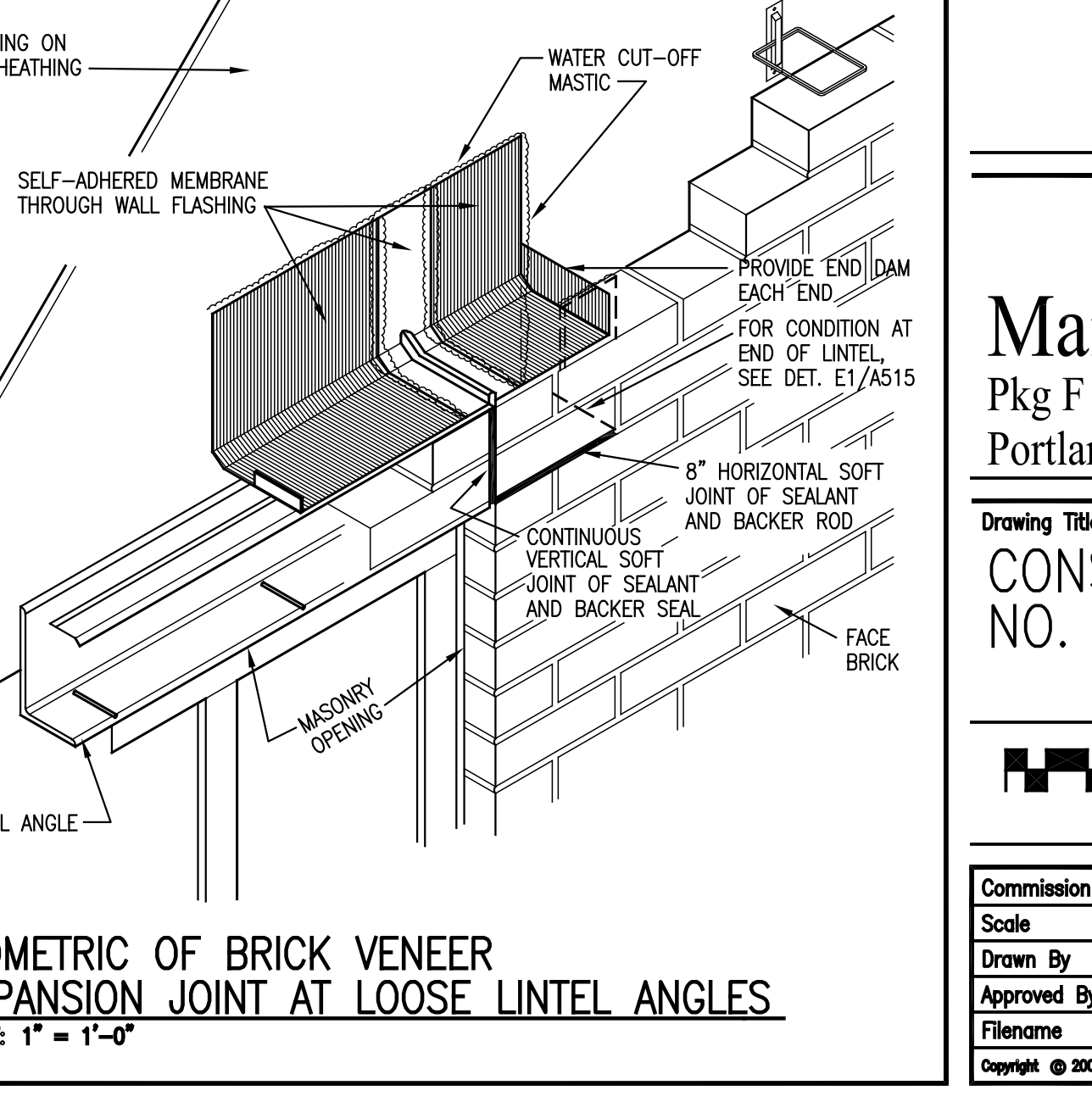
C5 ISOMETRIC AT MASONRY RELIEVING ANGLE  
SCALE 3/4" = 1'-0"



D5 ISOMETRIC AT WINDOW HEAD FLASHING  
SCALE 3/4" = 1'-0"



E5 ISOM. AT GRADE INTERSECTION FLASHING  
SCALE 3/4" = 1'-0"



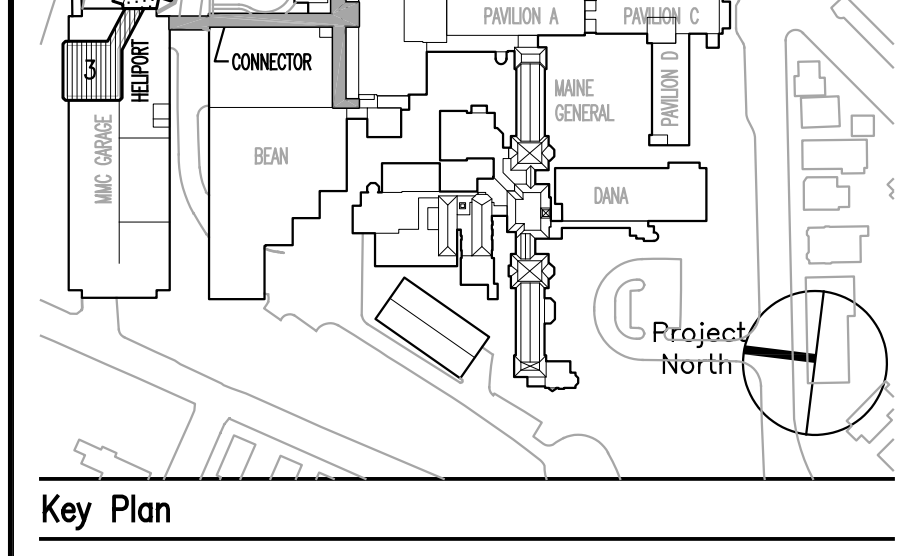
F5 ISOMETRIC OF BRICK VENEER EXPANSION JOINT AT LOOSE LINTEL ANGLES  
SCALE 1/2" = 1'-0"

General Notes:

MARK	ISSUE DATE	DESCRIPTION

PERMIT	09/18/04	PERMIT SET
BD	08/28/04	BD SET

Issue Log



**TRO**  
ARCHITECTURAL  
PLANNING  
ENGINEERING  
INTERIOR  
The Ritchie Organizat'  
80 Bridge Street  
Newton, MA 02459-1104  
617-552-9444

Maine Medical Center  
Pkg F - Garage / Vault / Conn / Heliport  
Portland, ME MMC Project No. 21845

CONSTRUCTION DETAILS  
NO. 2

Commission No.	4678	Date Issued	08/28/04
Scale	AS NOTED	Sheet Number	PKG-F
Drawn By	JV	Approved By	JV
File Name	4678AS11.dwg		A511