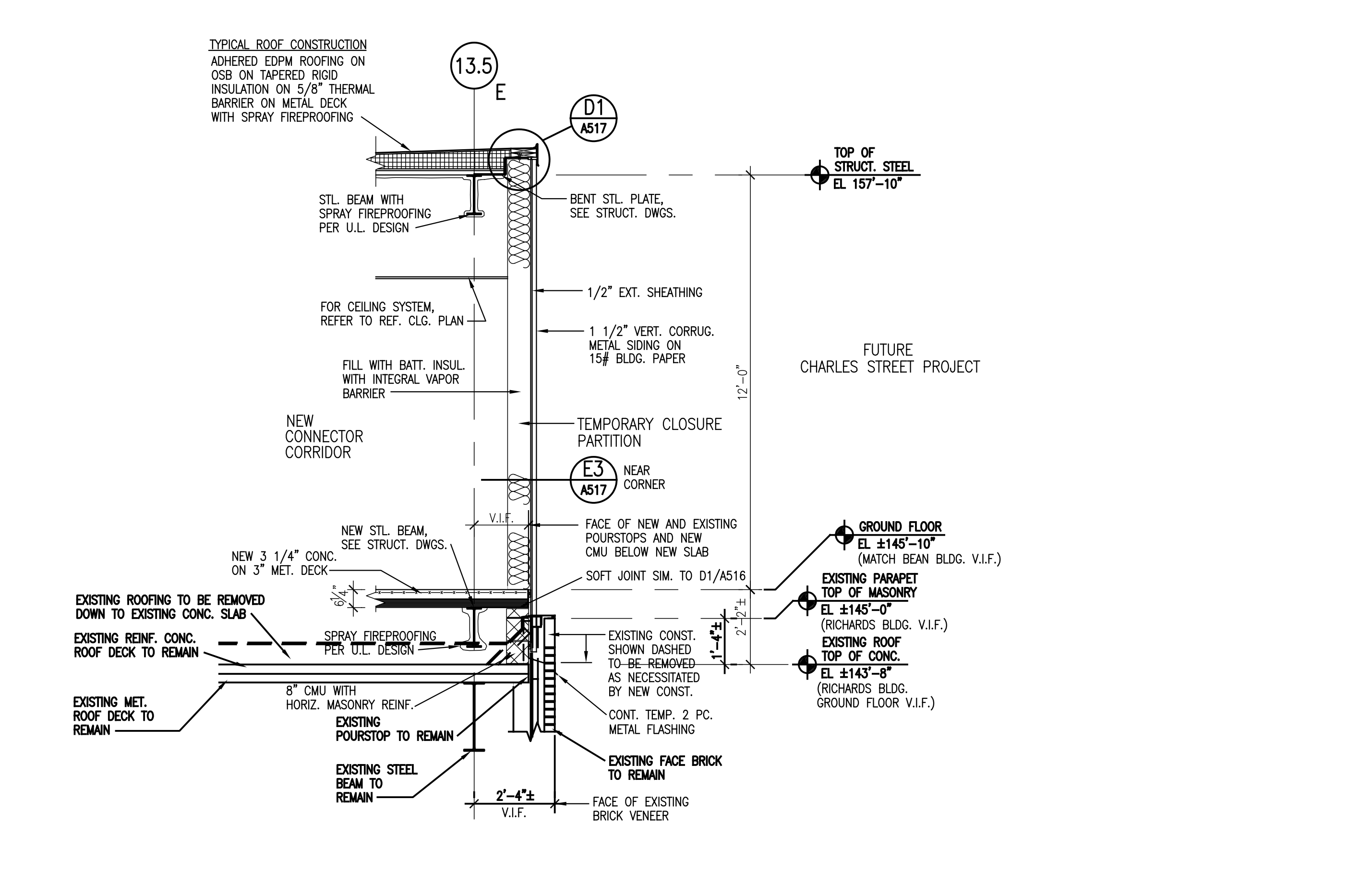
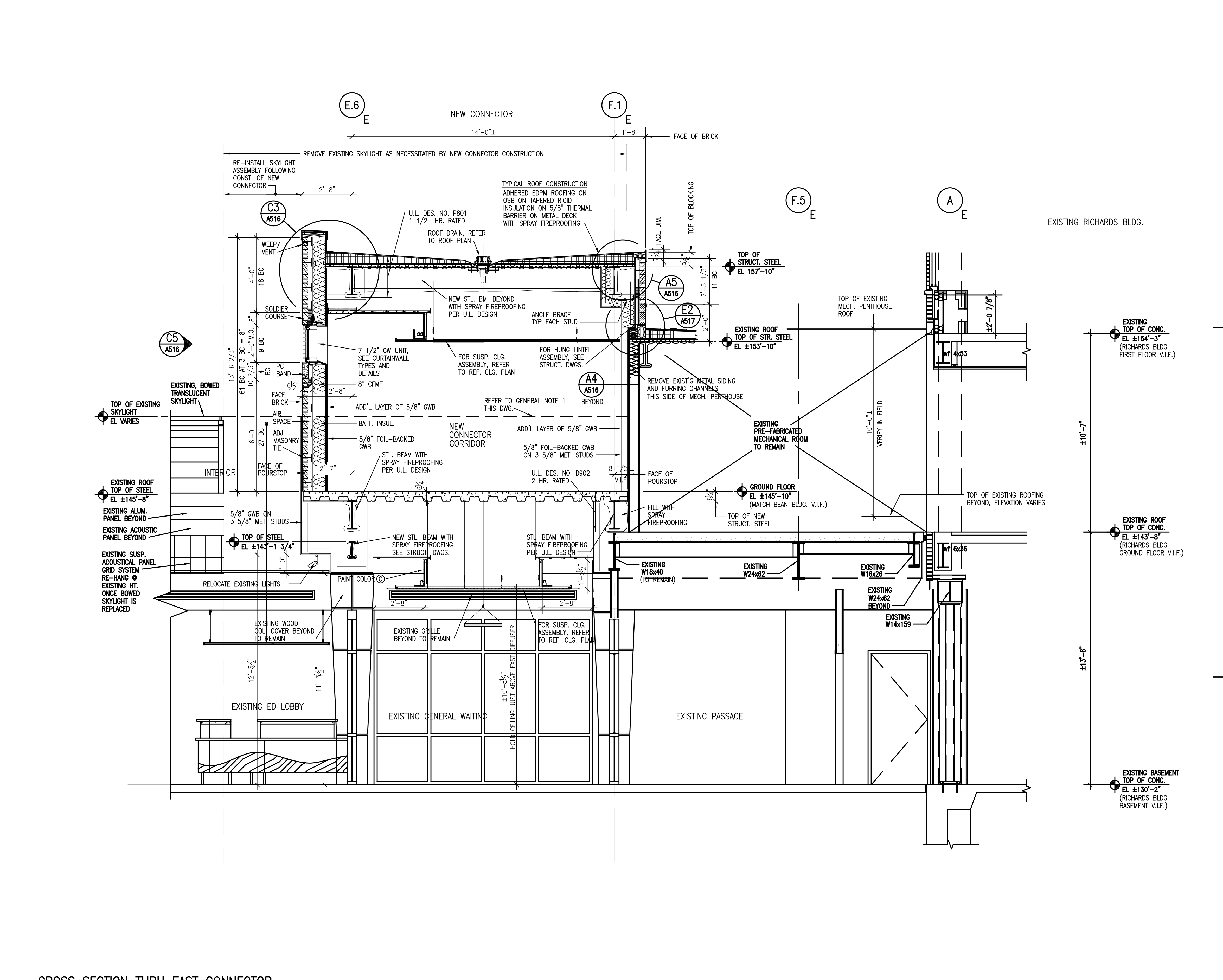


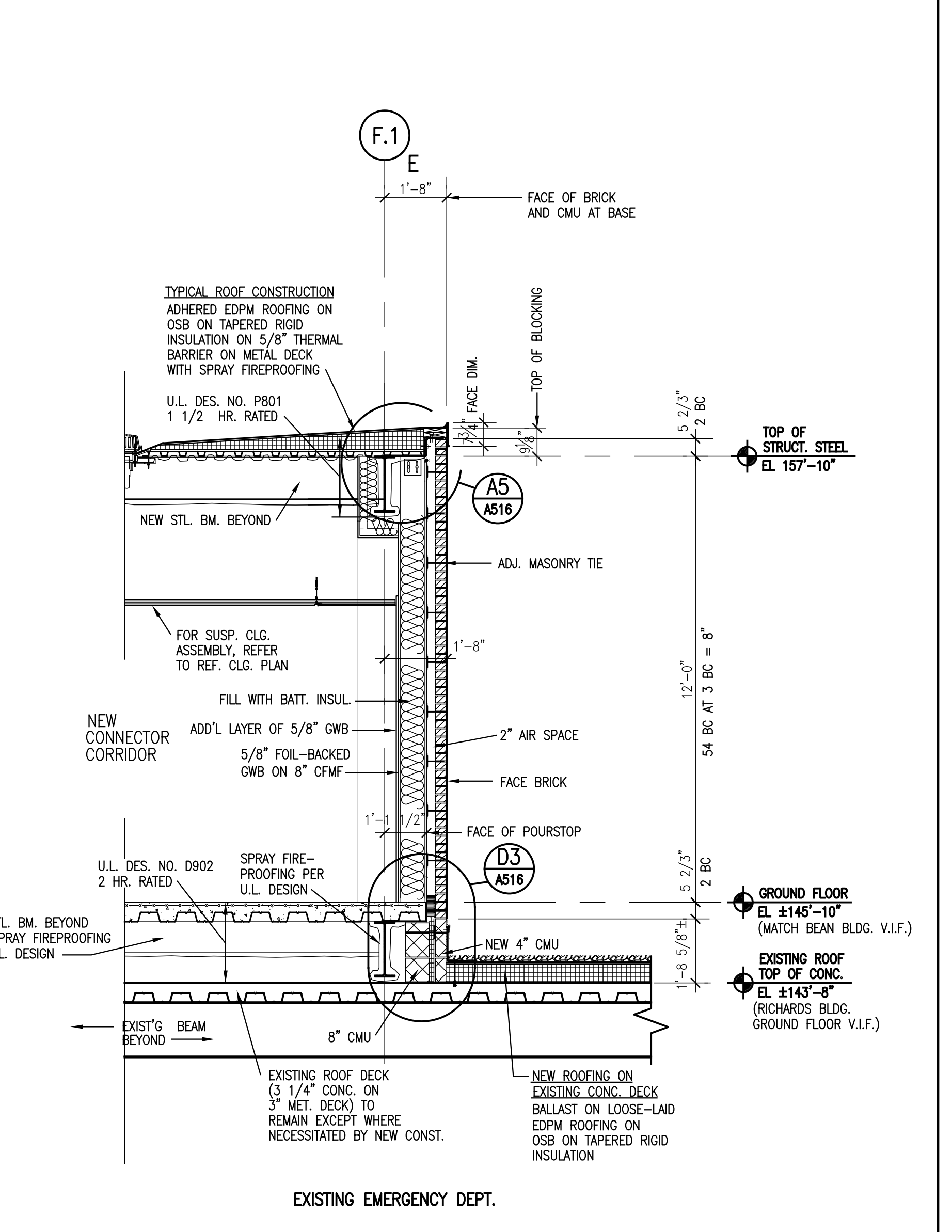
**A3** CROSS SECTION THRU WEST CONNECTOR AT EXISTING BEAN BLDG.  
SCALE: 3/8" = 1'-0"



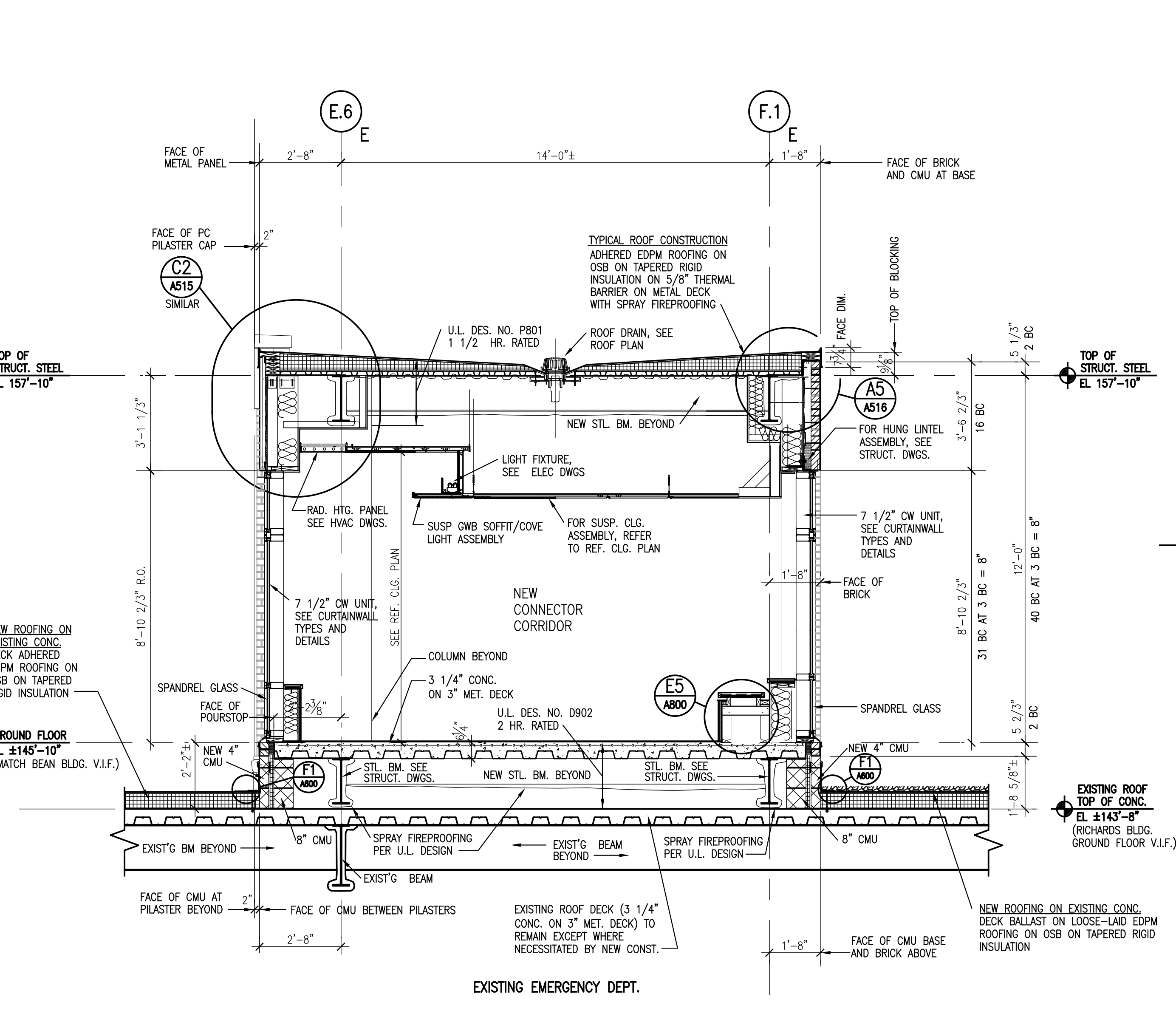
**A5** WALL SECTION THRU EAST END OF EAST CONNECTOR AT TEMP. CLOSURE PARTITION  
SCALE: 3/8" = 1'-0"



**C3** CROSS SECTION THRU EAST CONNECTOR AT EXISTING SKYLIGHT AND NEW PARAPET  
SCALE: 3/8" = 1'-0"



**C5** WALL SECTION THRU EAST CONNECTOR AT BRICK/STUD BACK-UP  
SCALE: 3/8" = 1'-0"

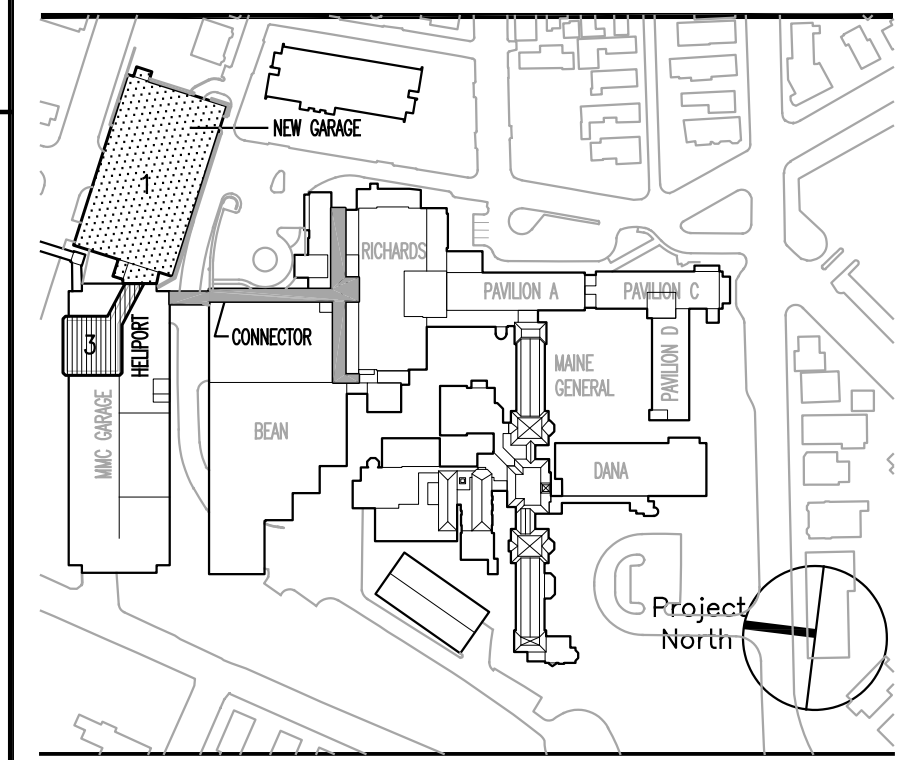


**D5** CROSS SECTION THRU EAST CONNECTOR AT CW  
SCALE: 3/8" = 1'-0"

**General Notes:**  
1.) EXISTING SKYLIGHT: REMOVE EXISTING SKYLIGHT ASSEMBLY AS NECESSITATED BY NEW CONNECTOR CONSTRUCTION. THOSE COMPONENTS DAMAGED BY REMOVAL SHALL BE REPLACED WITH NEW TO MATCH EXISTING. RE-INSTALL SKYLIGHT ASSEMBLY TO THE FACE OF THE NEW CONNECTOR WALL (SEE D3/A509) AND FLASH - WATERTIGHT (SEE C5 AND E5 DWG. A516). PROVIDE COMPLETE INSTALLATION PER SKYLIGHT MANUFACTURERS REQUIREMENTS.

MARK	ISSUE DATE	DESCRIPTION
PERMIT	09/18/04	PERMIT SET
BD	08/28/04	BD SET

Issue Log



**TRO**  
ARCHITECTURAL  
PLANNING  
ENGINEERING  
INTERIOR  
The Ritchie Organizat  
80 Bridge Street  
Newton, MA 02459-1  
617-559-94

**Maine Medical Center**  
Pkg F - Garage / Vault / Conn / Heliport  
Portland, ME MMC Project No. 21845

**CONNECTOR WALL SECTIONS**

Commission No.	4678	Date Issued	08/28/04
Scale	AS NOTED	Sheet Number	PKG-F
Drawn By	RAC	Approved By	JW
File Name	4678AS509.dwg		

Copyright © 2004 The Ritchie Organization