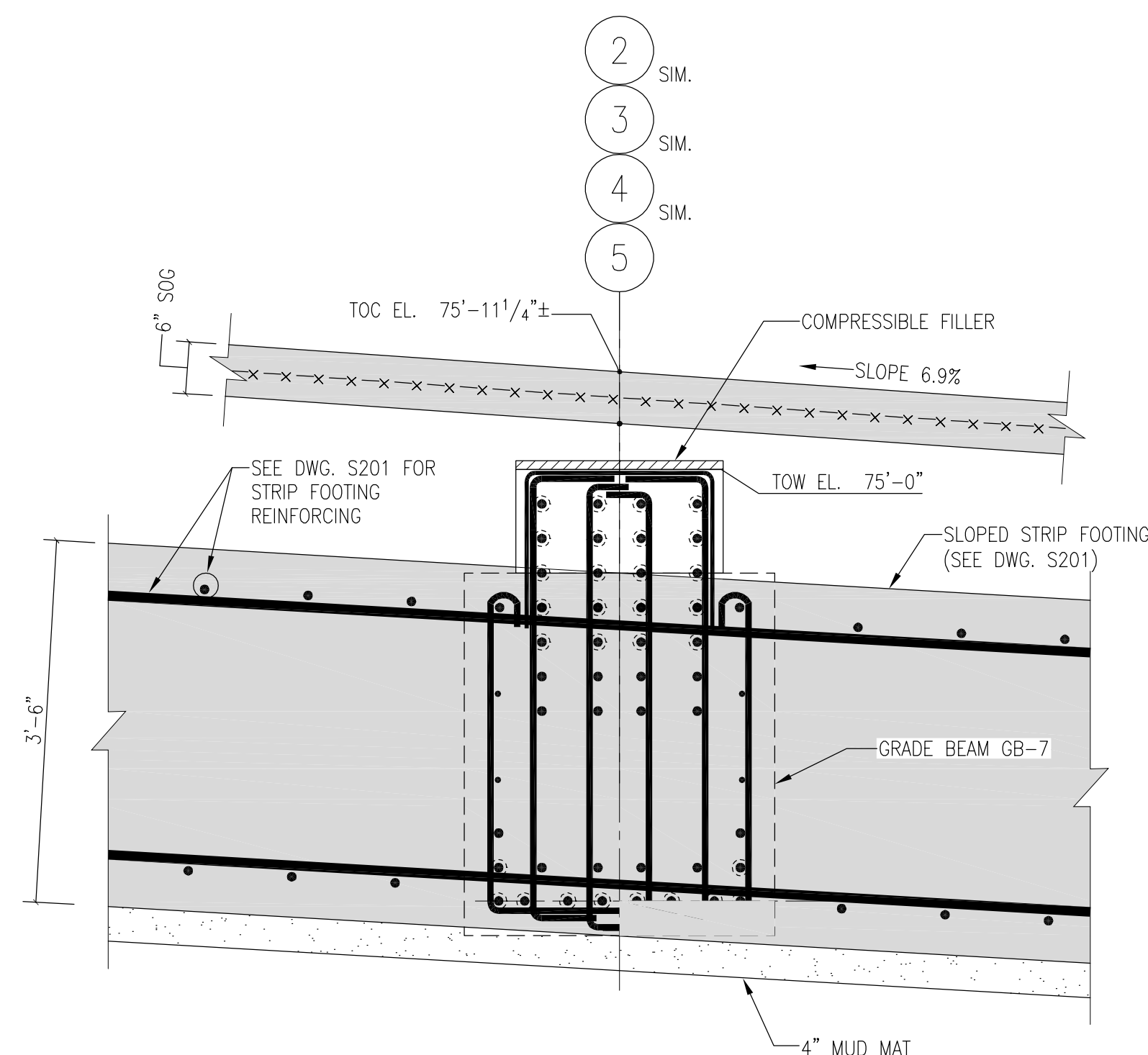
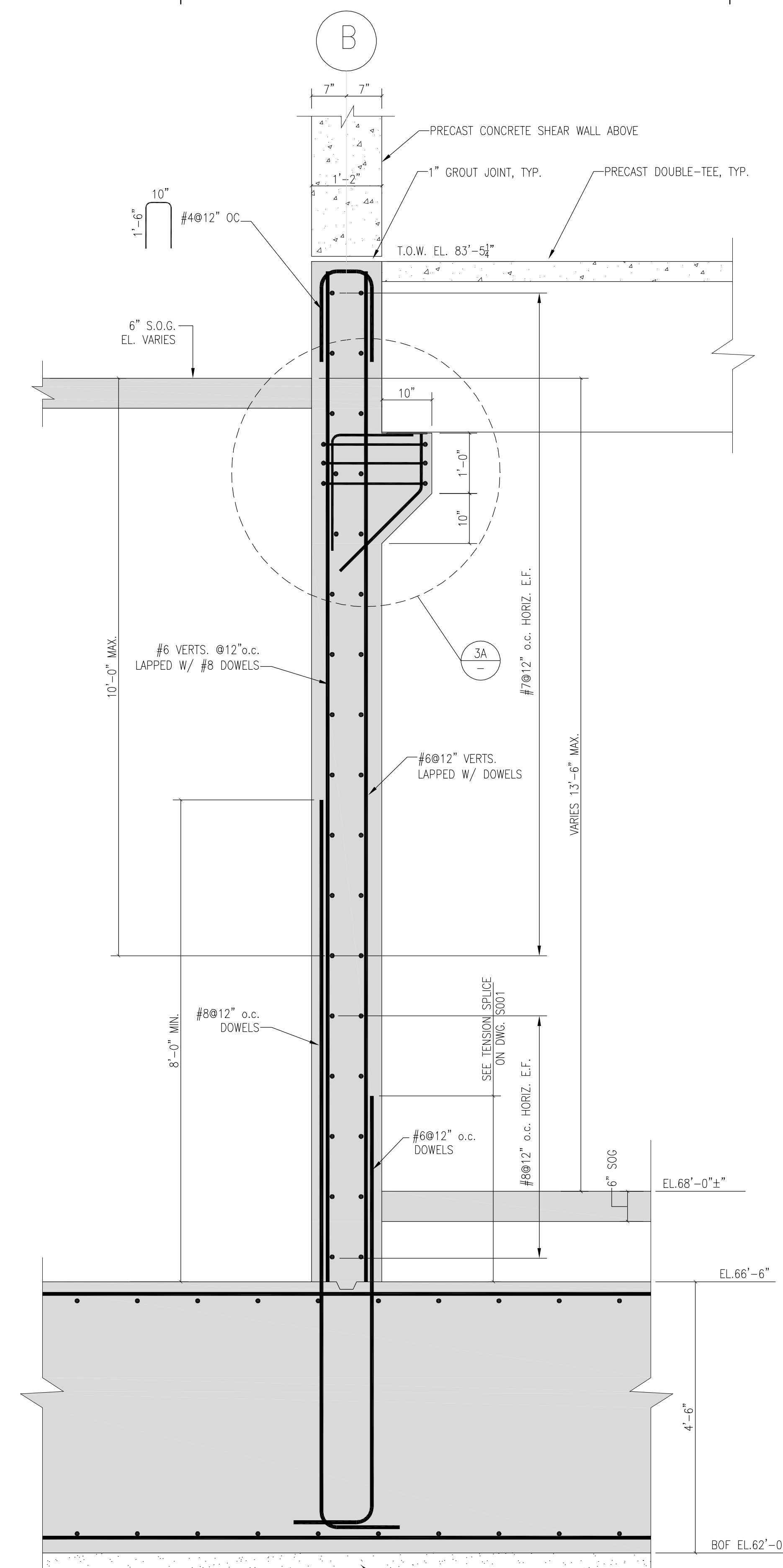


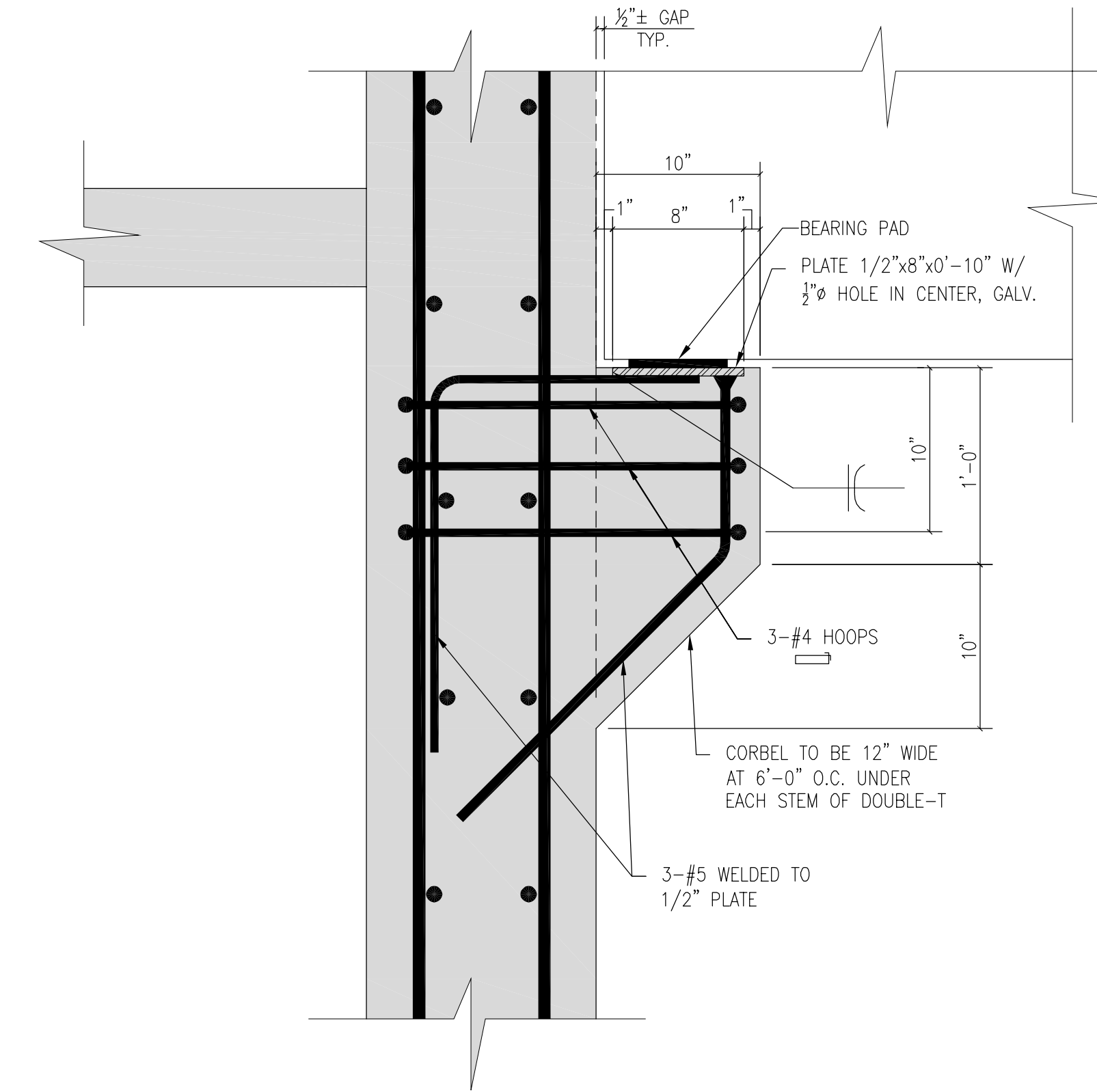
1 SECTION AT SEWER LINE TRENCH UNDER FOOTING
3/4" = 1'-0"



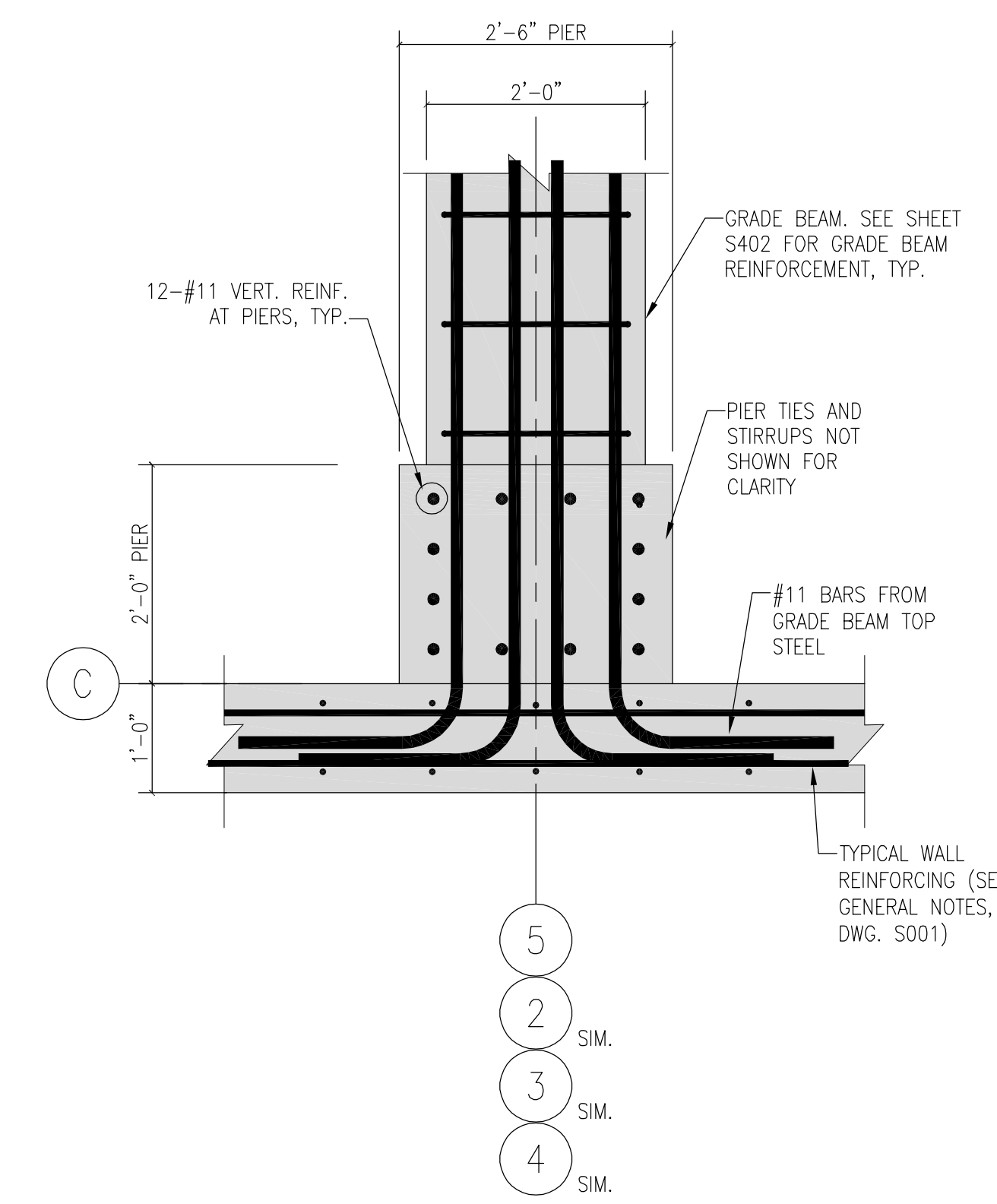
2 SECTION: INTERSECTION AT GRADE BEAM GB-7
REINFORCING AND STRIP FOOTING AT GRID LINE "C"
3/4" = 1'-0"



3 SECTION AT FOUNDATION WALL ON GRID LINE "B"
3/4" = 1'-0"



3A DETAIL OF BRACKET FOR PRECAST
1/2" = 1'-0"



4 SECTION: INTERSECTION AT GRADE BEAM GB-7
REINFORCING AND WALL AT GRID LINE "C"
3/4" = 1'-0"

SGH
Simpson Gumpertz & Heger Inc.
Consulting Engineers

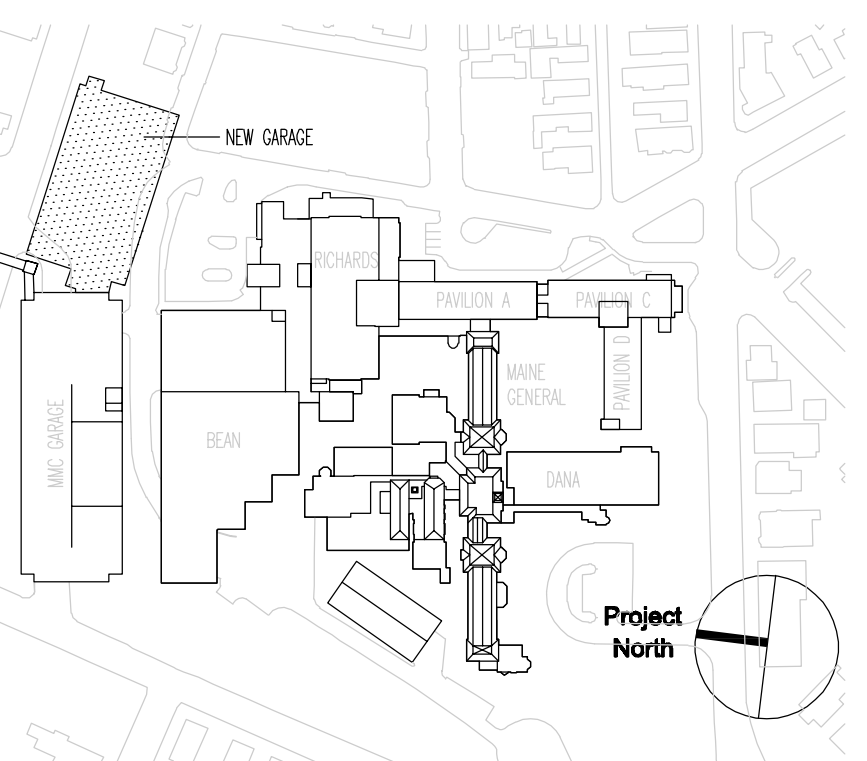
Boston, MA 41 Bayon Street, Telephone: (781) 907 9000
Building 1, Suite 500
Waltham, MA 02453 Facsimile: (781) 907 9009

San Francisco, CA The Landmark at One Market, Telephone: (415) 498 3700
Suite 600 San Francisco, CA Facsimile: (415) 498 3550
94105 Facsimile: (415) 498 3550

Washington, DC 1855 Pileard Drive, Telephone: (301) 417 0999
Suite 225 Rockville, MD Facsimile: (301) 417 9825
20850

MARK	ISSUE DATE	DESCRIPTION
PERMIT	09/16/04	PERMIT SET
BID	05/17/04	BID SET

Issue Log



TRO
ARCHITECTURE
PLANNING
ENGINEERING
INTERIOR DESIGN

The Ritchie Organization
80 Bridge Street
Newton, MA 02459-1154
617-969-9400

Maine Medical Center
Pkg E - Garage Foundation and Precast
Portland, ME MMC Project No. 21845

Drawing Title
**GARAGE
CAST IN PLACE CONCRETE
SECTIONS & DETAILS**

0' 4' 8' 16' 32'

Commission No.	4678	Date Issued	05/17/04
Scale	AS NOTED	Sheet Number	PKG-E S403
Drawn By	SWW		
Approved By	JHT/JAZ		
File Name	S403		

Copyright © 2004 The Ritchie Organization