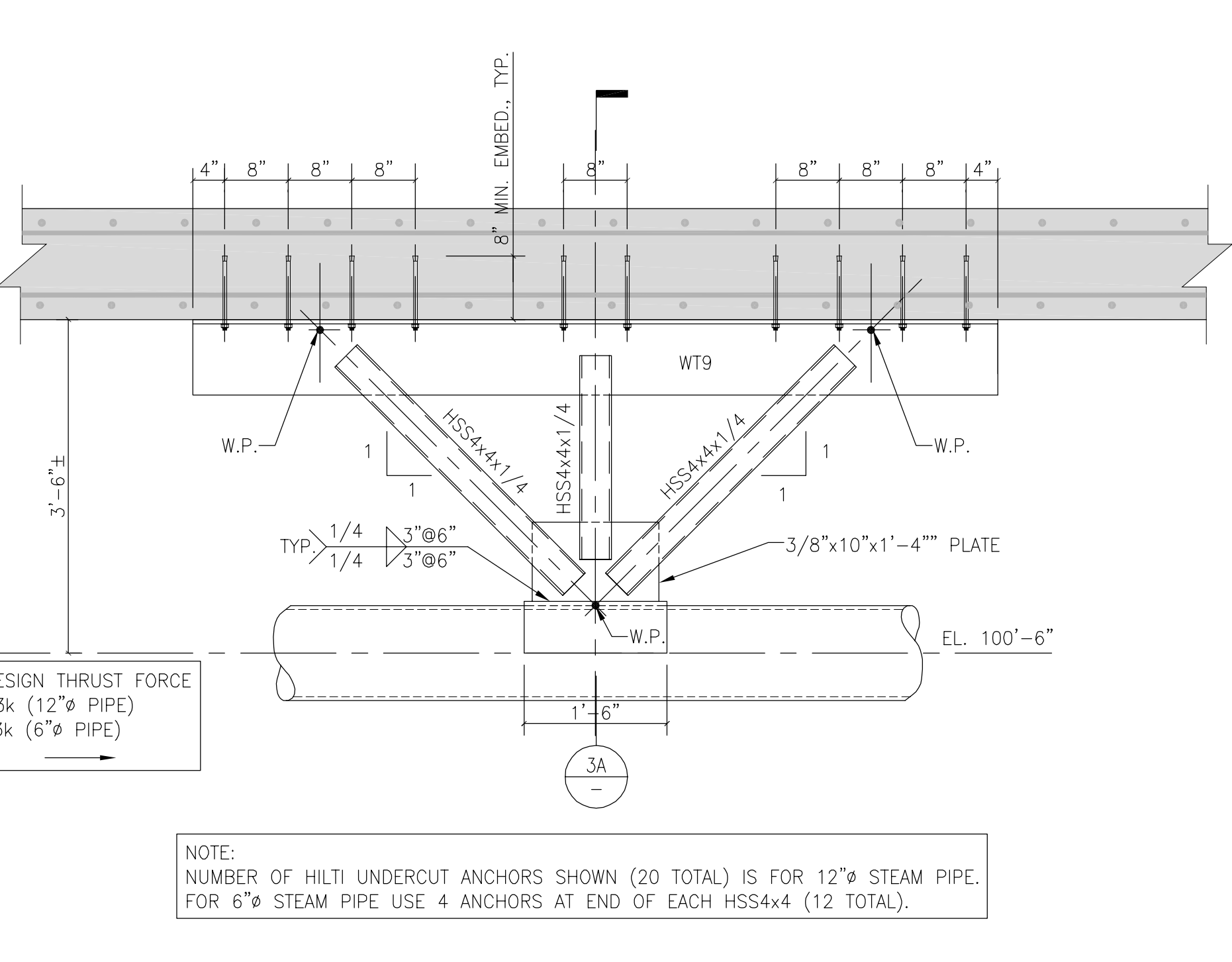
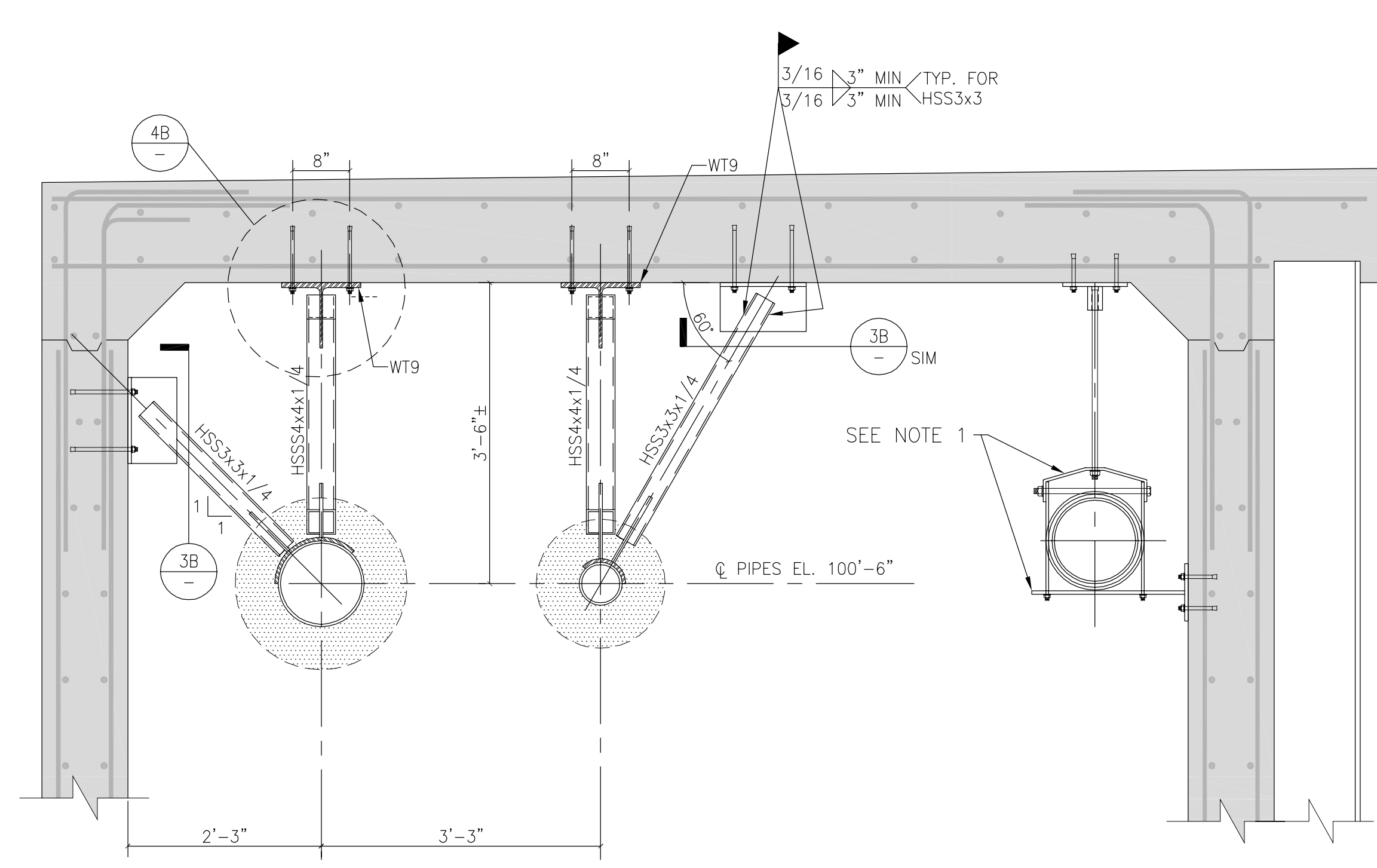


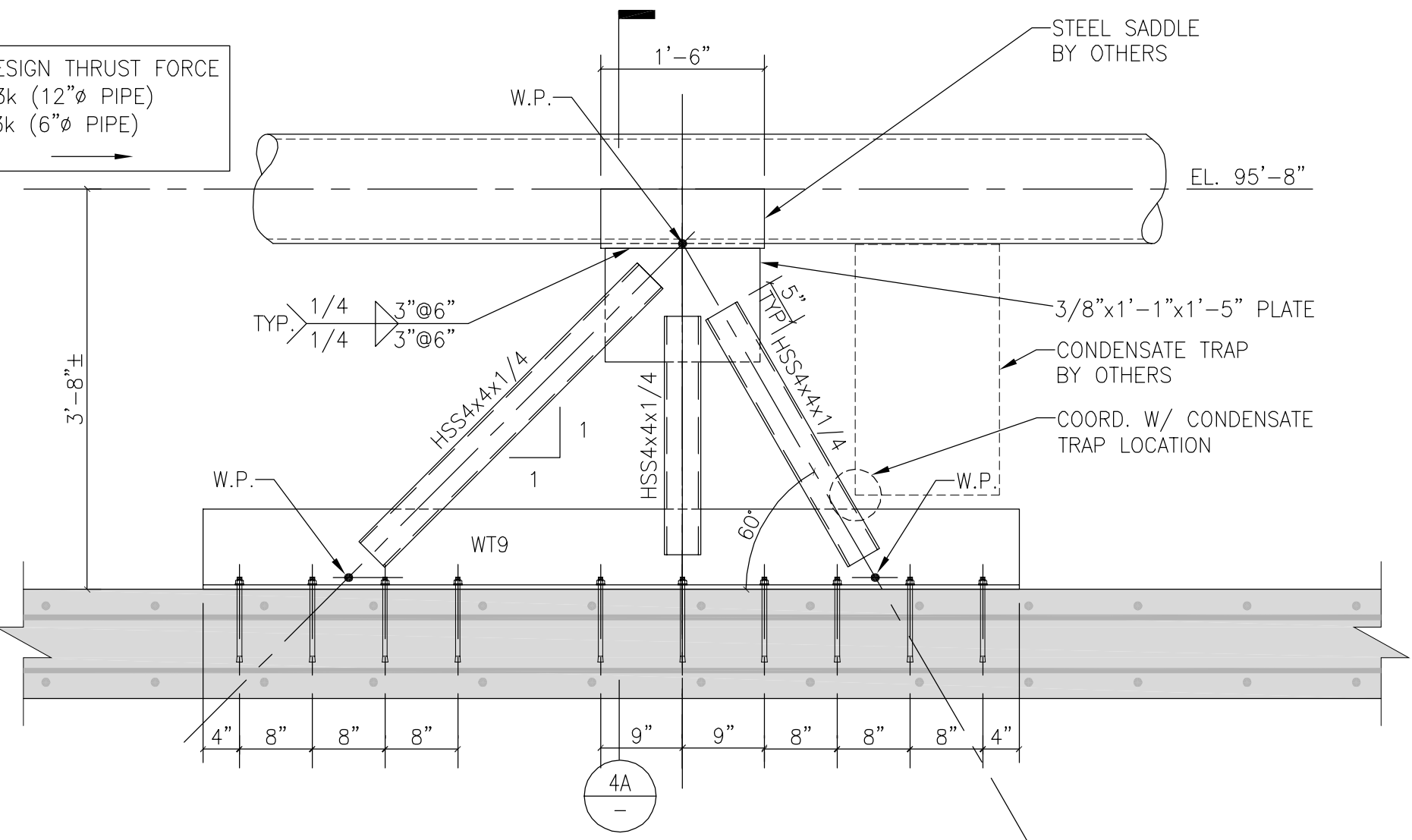
SECTION: STEAM MANHOLE 3/4" = 1'-0"



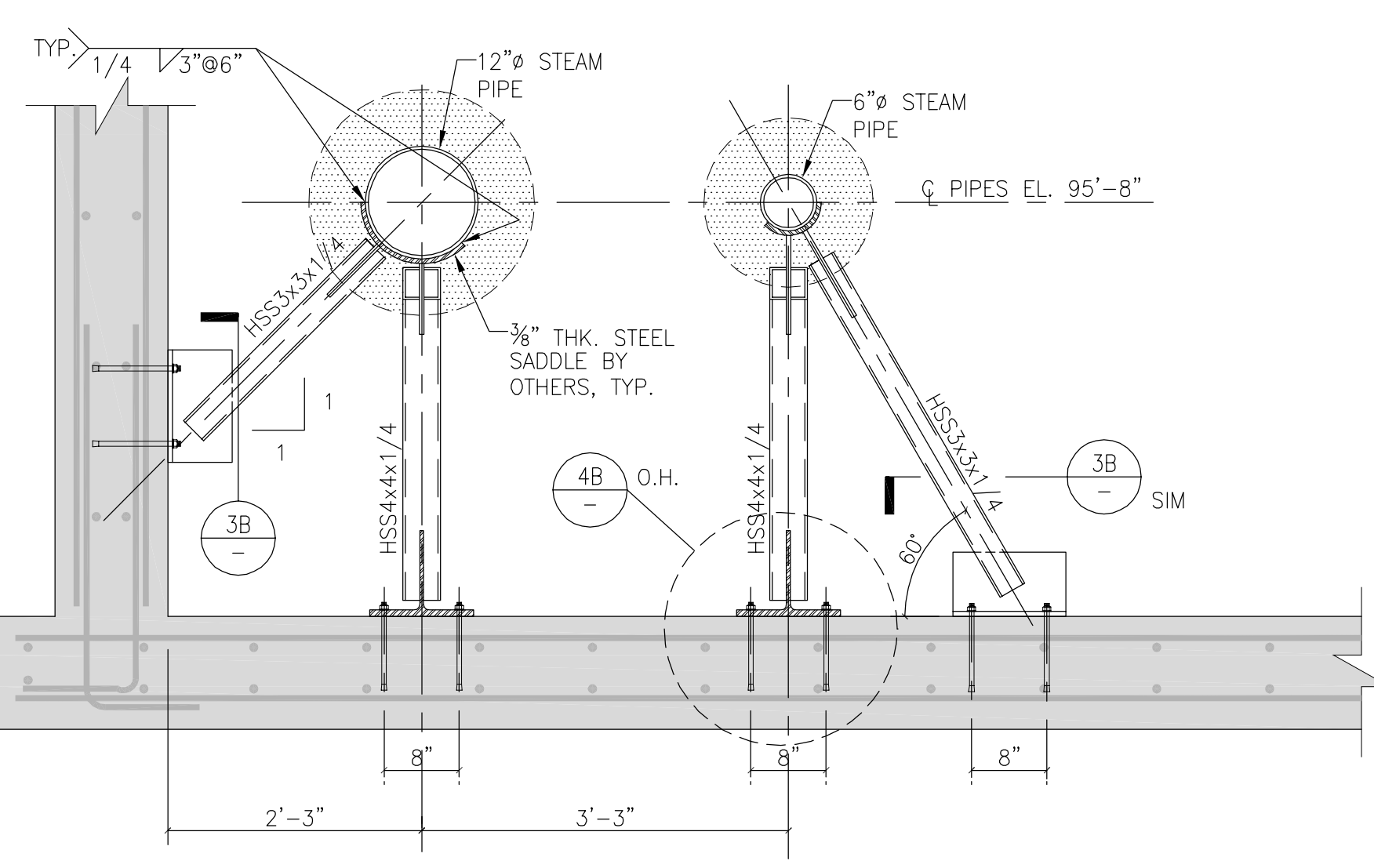
STEAM PIPE SUPPORT DETAIL 3/4" = 1'-0"



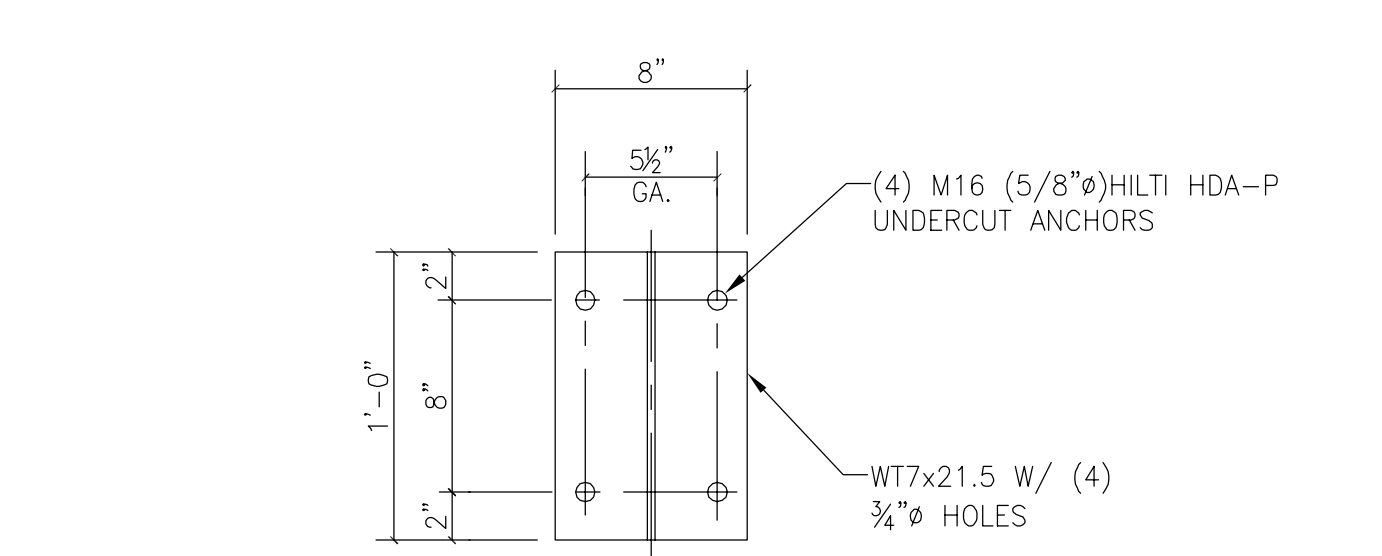
STEAM PIPE SUPPORT DETAIL 3/4" = 1'-0"



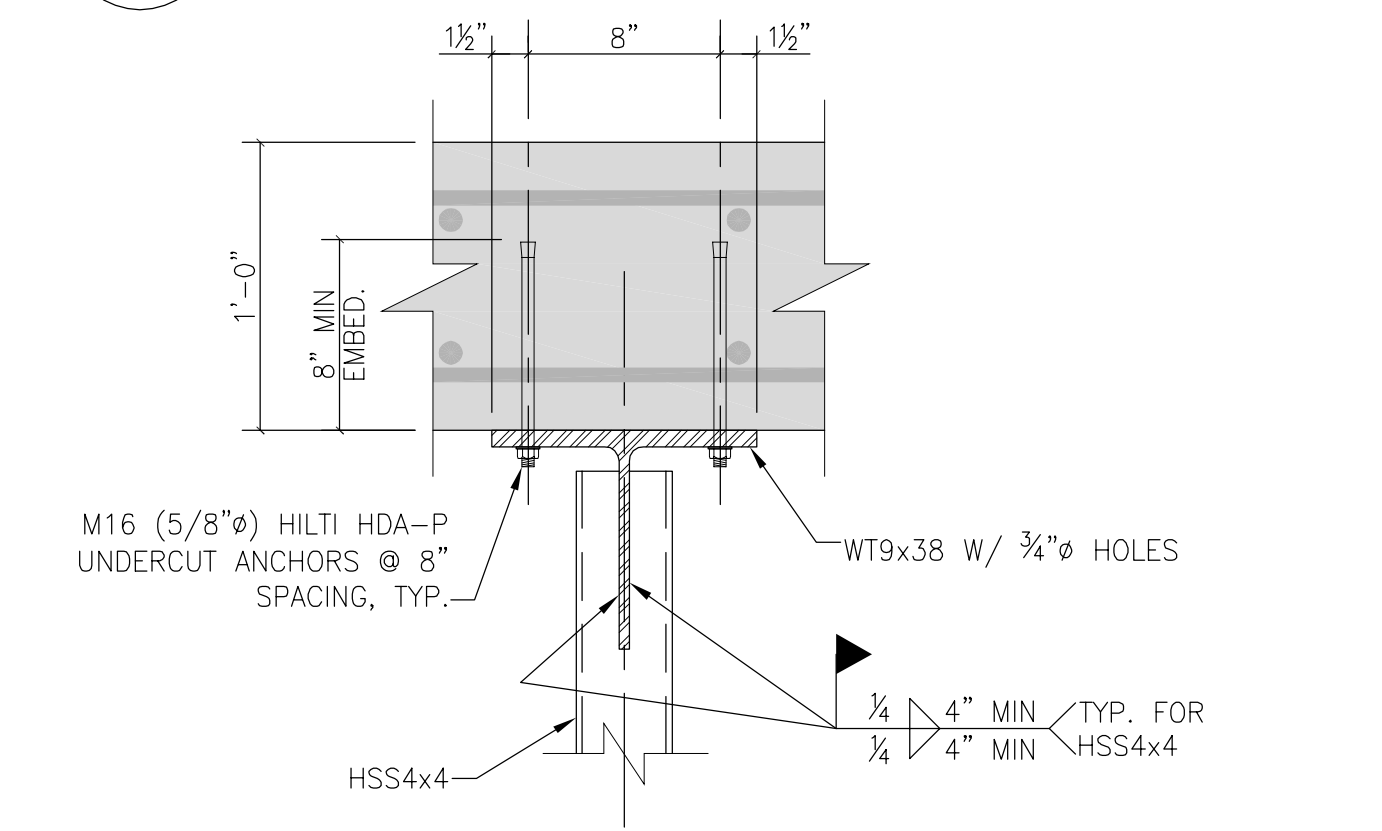
STEAM PIPE SUPPORT DETAIL 3/4" = 1'-0"



STEAM PIPE SUPPORT DETAIL 3/4" = 1'-0"



DETAIL: WT7 BRACE ANCHOR DETAIL 1 1/2" = 1'-0"

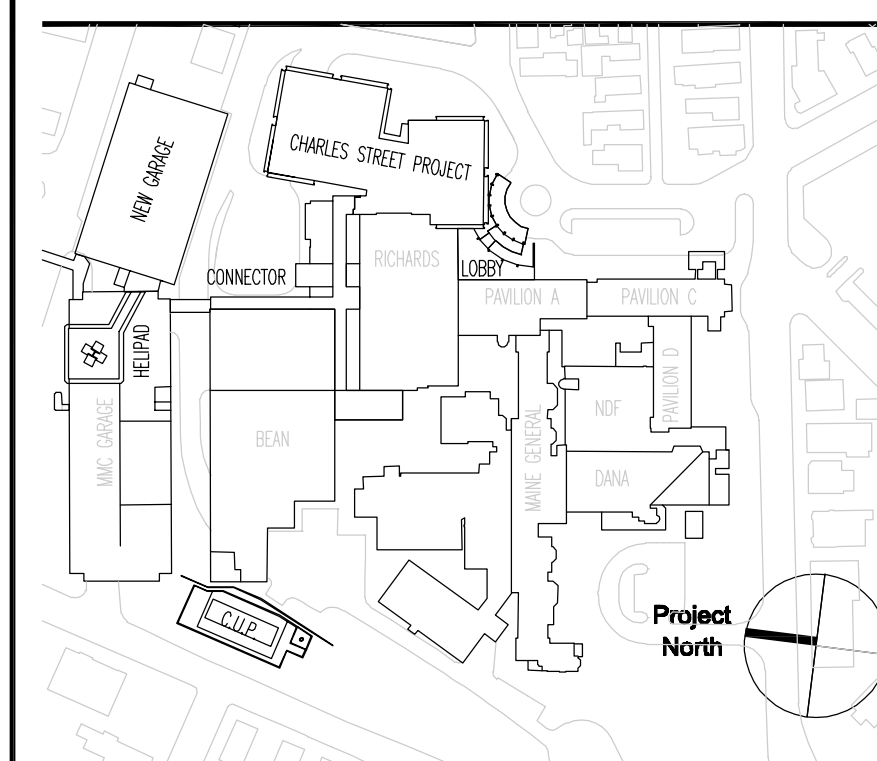


DETAIL: WT9 BRACE ANCHOR DETAIL 1 1/2" = 1'-0"

General Notes:  
1. PIPE HANGER ASSEMBLY AND SEISMIC BRACING TO BE DESIGNED AND DETAILED BY UTILITY CONTRACTOR. SUBMIT COMPLETE SHOP DRAWINGS FOR REVIEW AND APPROVAL PRIOR TO BEGINNING INSTALLATION.

**SGH**  
**Simpson Gumpertz & Heger Inc.**  
Consulting Engineers  
Boston, MA 41 Bayon Street, Building 1, Suite 500, Waltham, MA 02453  
Telephone: (781) 907 9000  
Facsimile: (781) 907 9009  
San Francisco, CA The Landmark at One Market, Suite 600, San Francisco, CA 94105  
Telephone: (415) 495 3700  
Facsimile: (415) 495 3550  
Washington, DC 1355 Piccard Drive, Suite 320, Rockville, MD 20850  
Telephone: (301) 417 0999  
Facsimile: (301) 417 9825

MARK	ISSUE DATE	DESCRIPTION
PERMIT	09/16/04	PERMIT SET
BID	08/31/04	BID SET



**TRO**  
ARCHITECTURE  
PLANNING  
ENGINEERING  
INTERIOR DESIGN  
The Ritchie Organization  
80 Bridge Street  
Newton, MA 02458-1154  
617-969-9400

**Maine Medical Center**  
Pkg C - Site Utilities  
Portland, Maine MMC Project No. 21846

Drawing Title  
**SECTIONS AND DETAILS**  
Commission No. 4677 Date Issued 08/31/04  
Scale AS NOTED Sheet Number  
Drawn By SWW  
Approved By JHT/LLJ  
Fluoroma S401  
Copyright © 2004 The Ritchie Organization