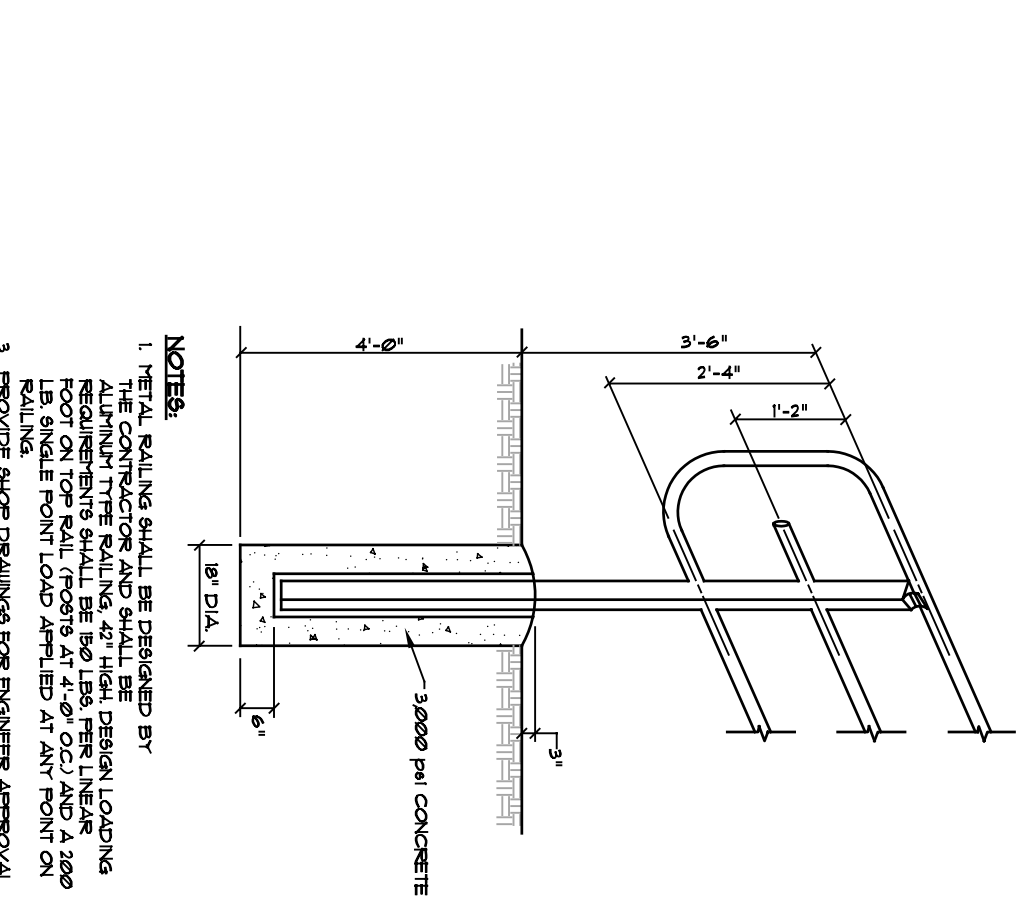
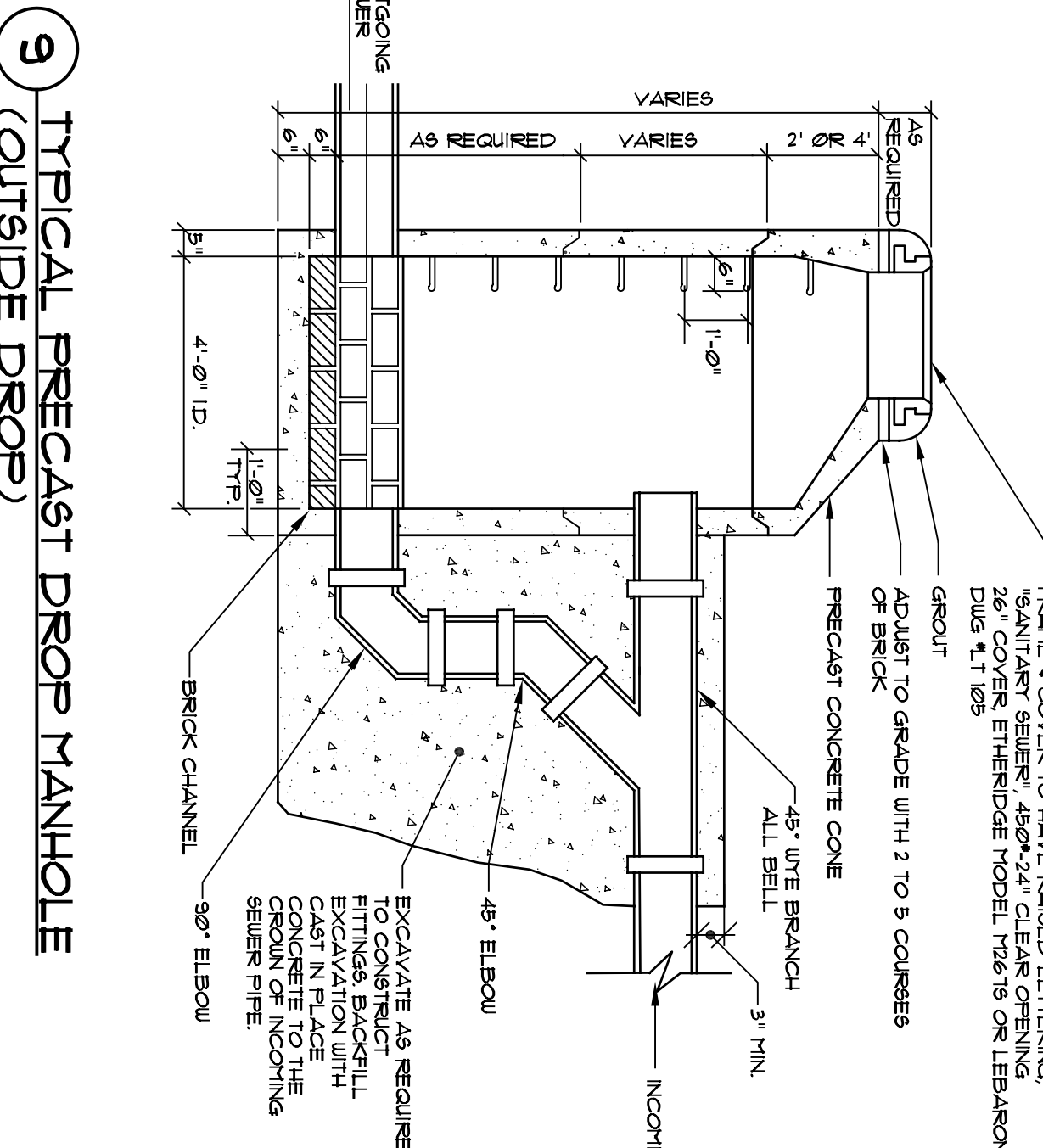


1 TYPE "A" CAST IRON MANHOLE COVER AND FRAME  
NOT TO SCALE

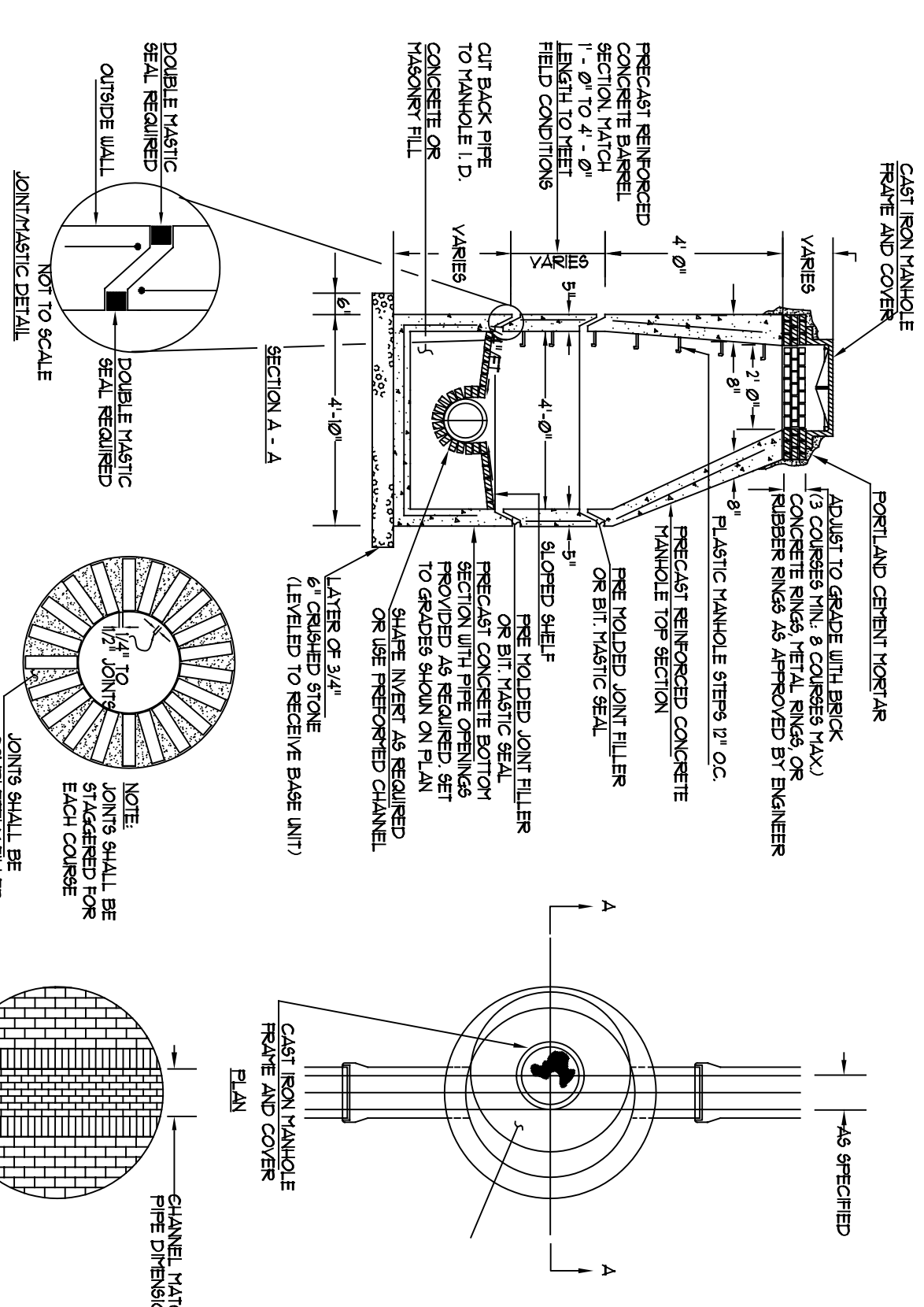


5 MANHOLE  
NOT TO SCALE

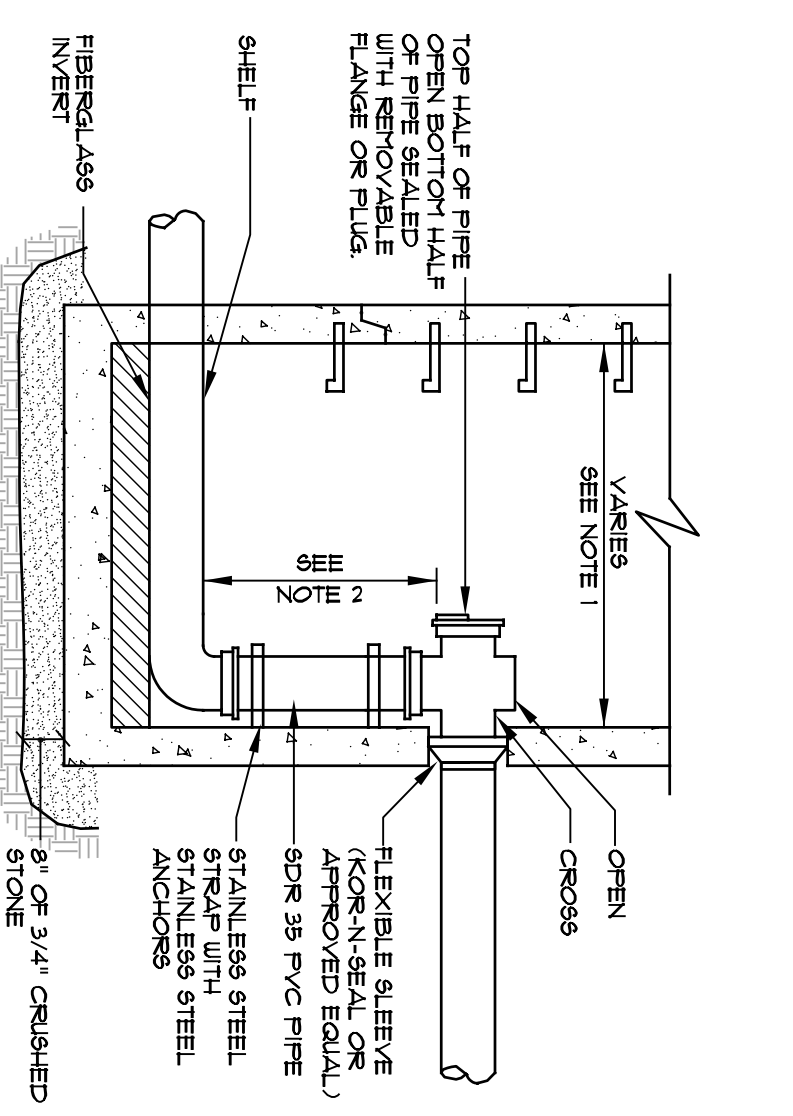


3 TYPICAL PRECAST DROP MANHOLE OUTSIDE DROP  
NOT TO SCALE

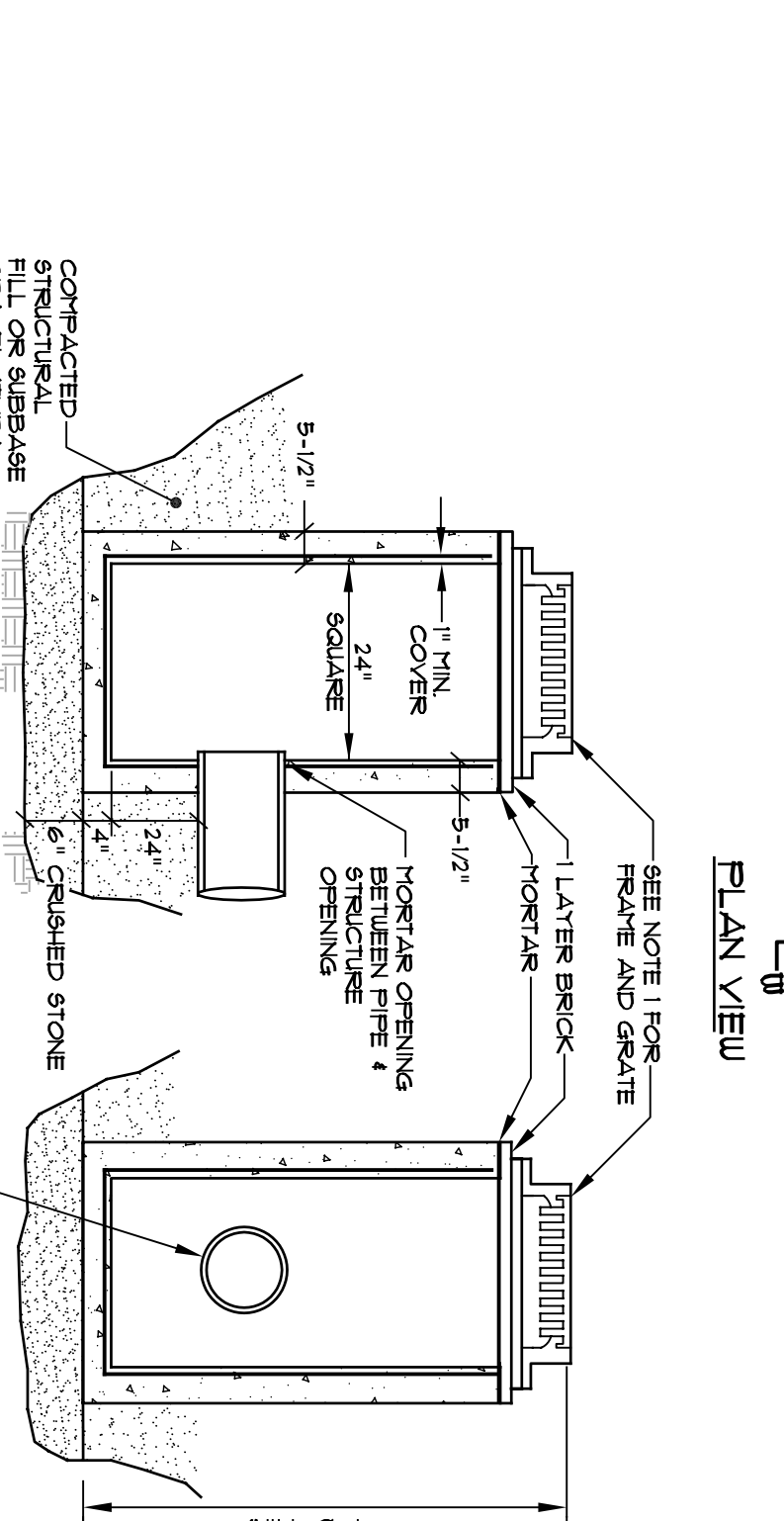
NOTE: MANHOLE COVER & RISING CURB OF TYPE 'A' SHALL BE CAST IN PLACE CONCRETE TO BE FINISHED TO ACCEPT FINISH OF SURROUNDING PAVEMENT.



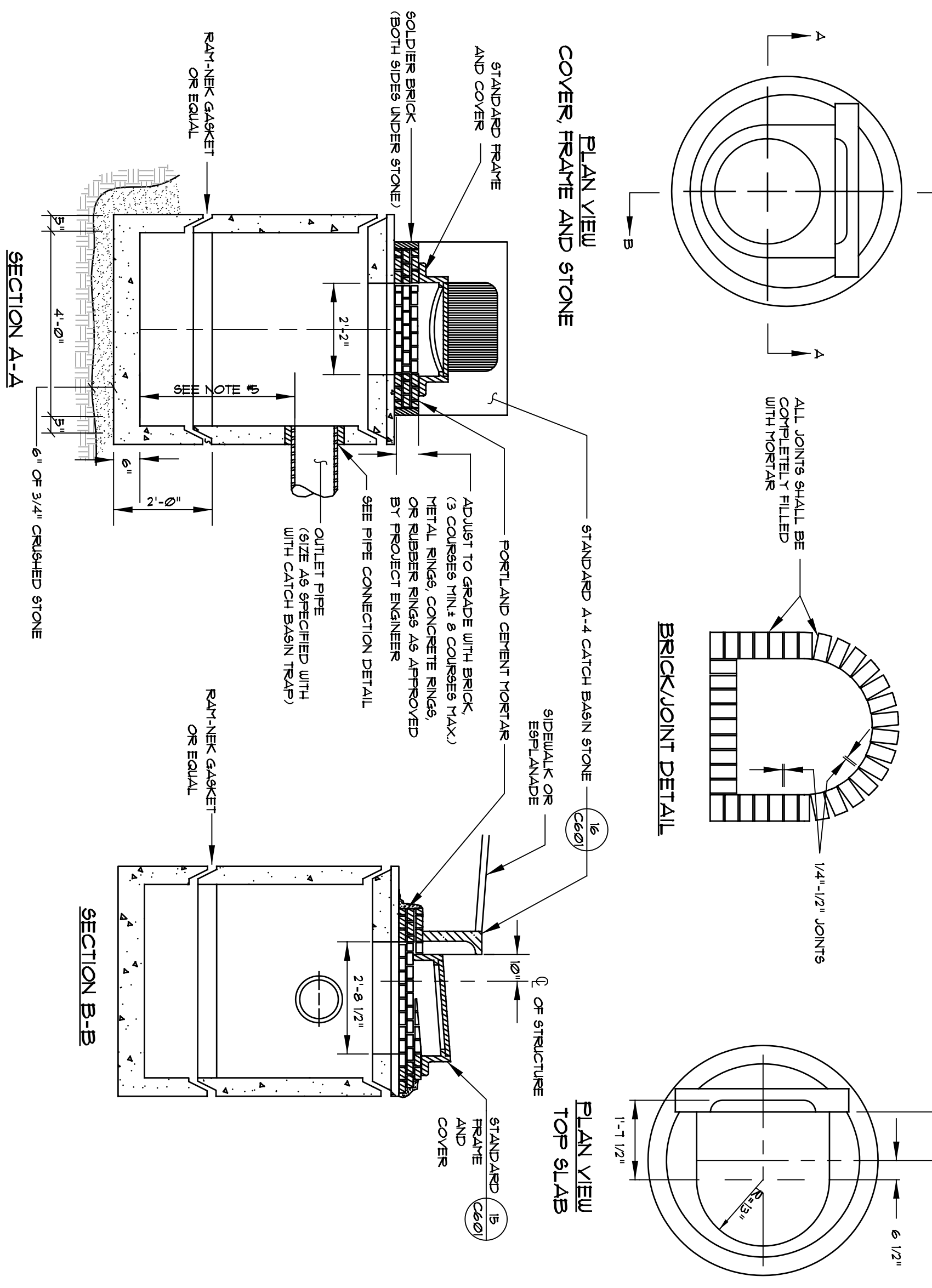
2 PRECAST CONCRETE MANHOLE TYPE "A"  
NOT TO SCALE



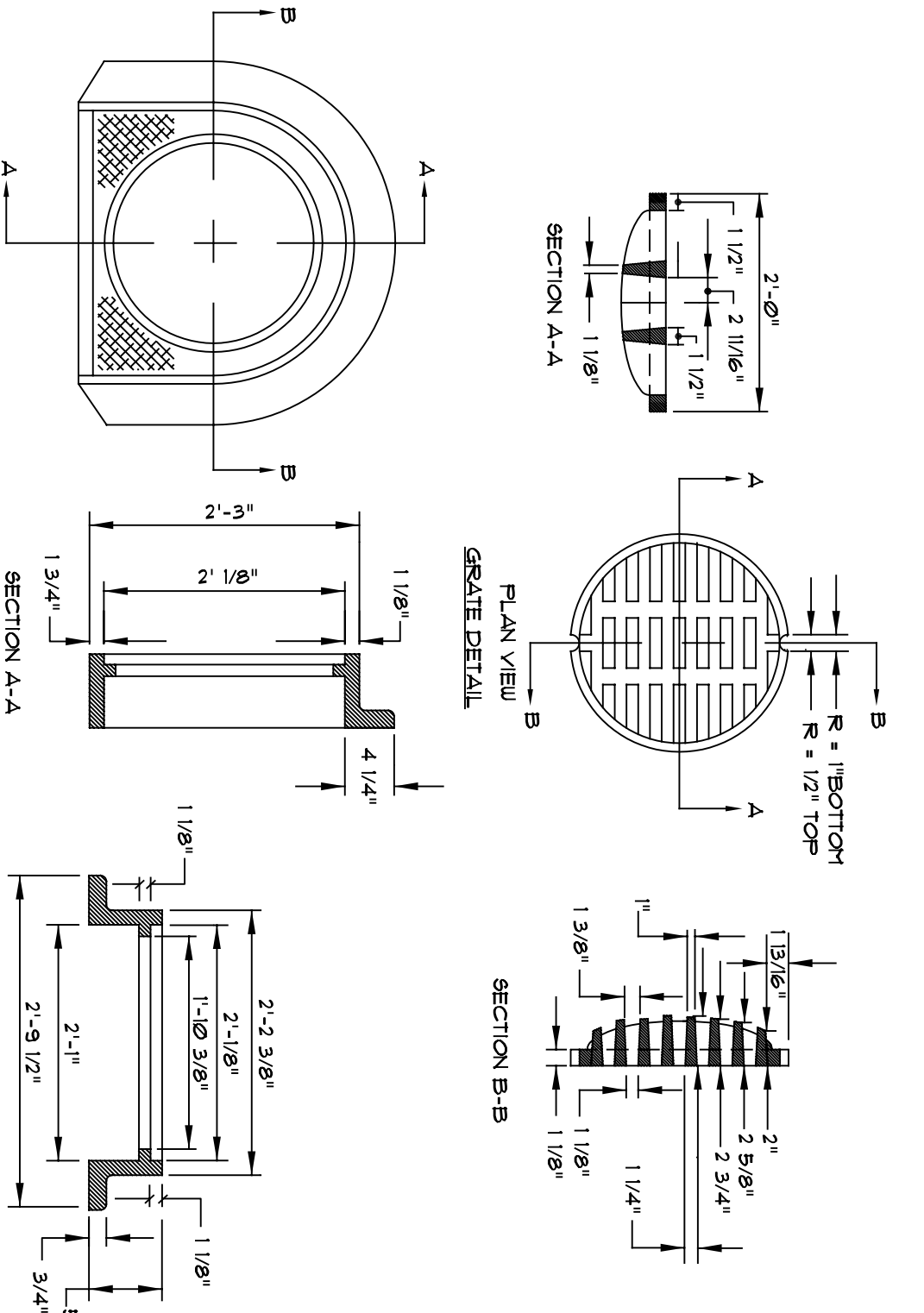
6 TYPICAL PRECAST DROP MANHOLE INSIDE DROP  
NOT TO SCALE



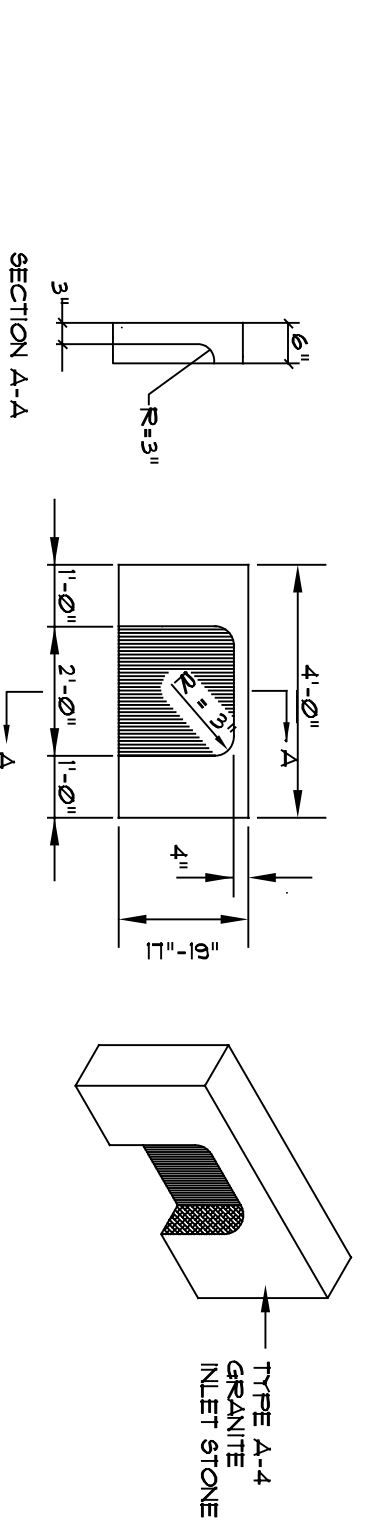
10 TYPICAL TYPE "H" CATCH BASIN  
NOT TO SCALE



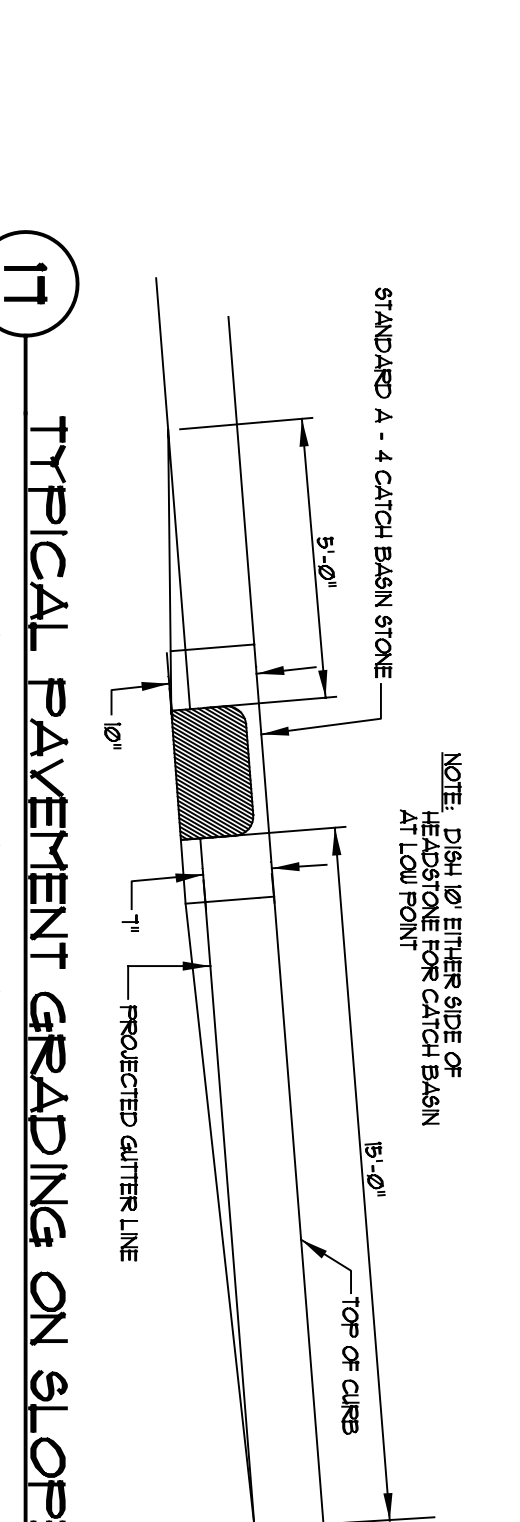
14 PRECAST CONCRETE CATCH BASIN - TYPE "H"  
NOT TO SCALE



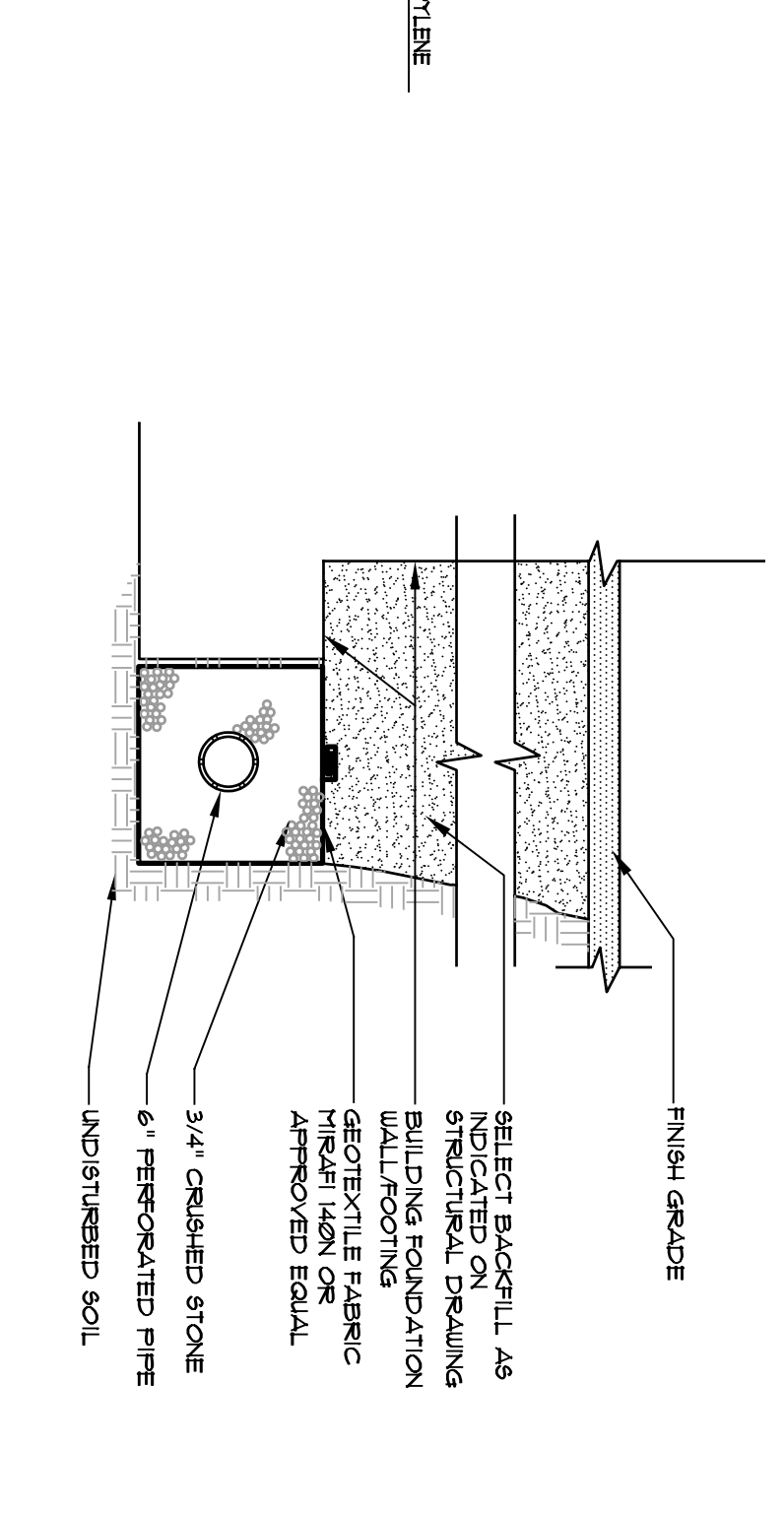
15 CATCH BASIN TYPE "D" FRAME & COVER DETAIL  
NOT TO SCALE



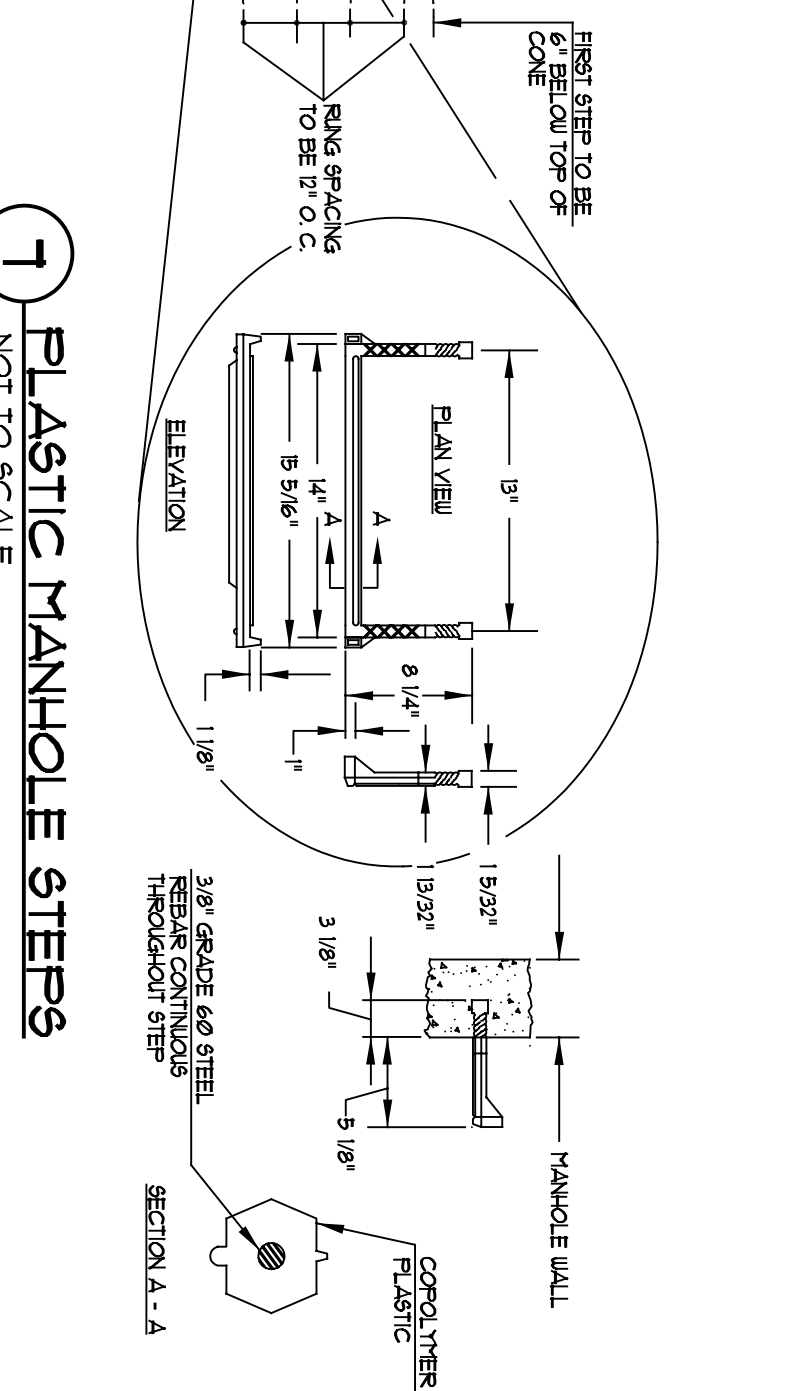
16 TYPE A-4 GRANITE CATCH BASIN INLET DETAIL  
NOT TO SCALE



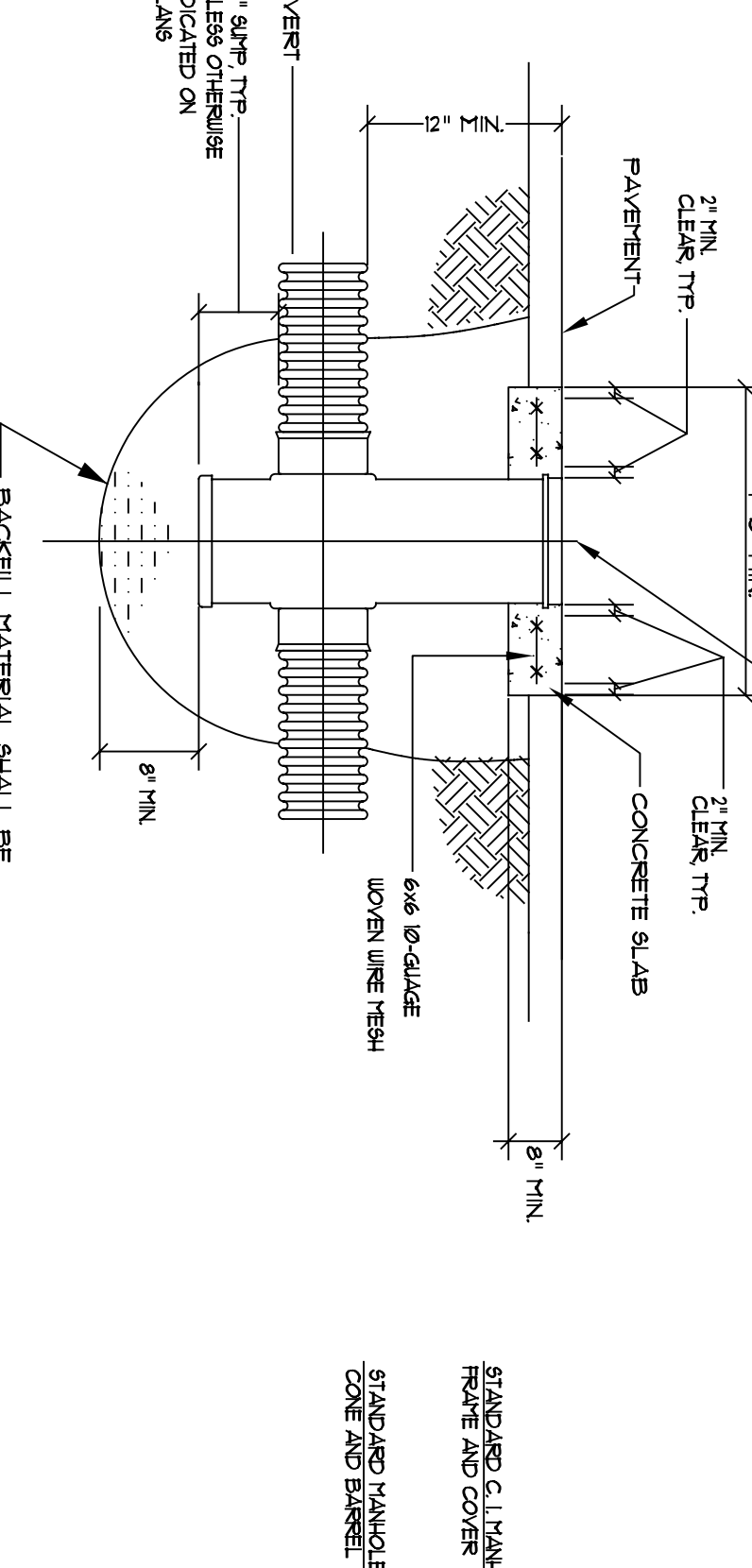
17 TYPICAL PAVEMENT GRADING ON SLOPES FOR CATCH BASIN AND INLET  
NOT TO SCALE



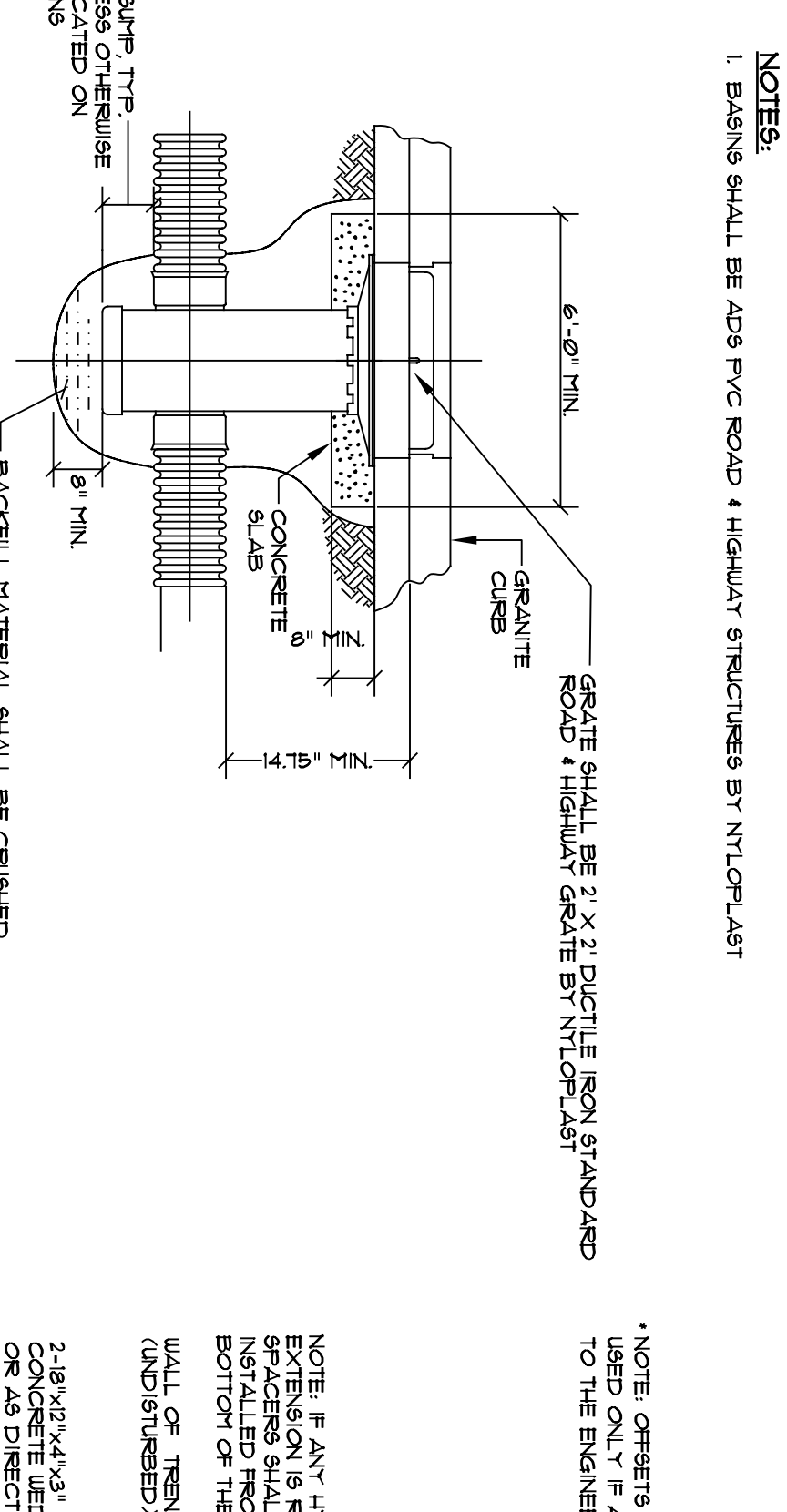
11 NOT USED  
NOT TO SCALE



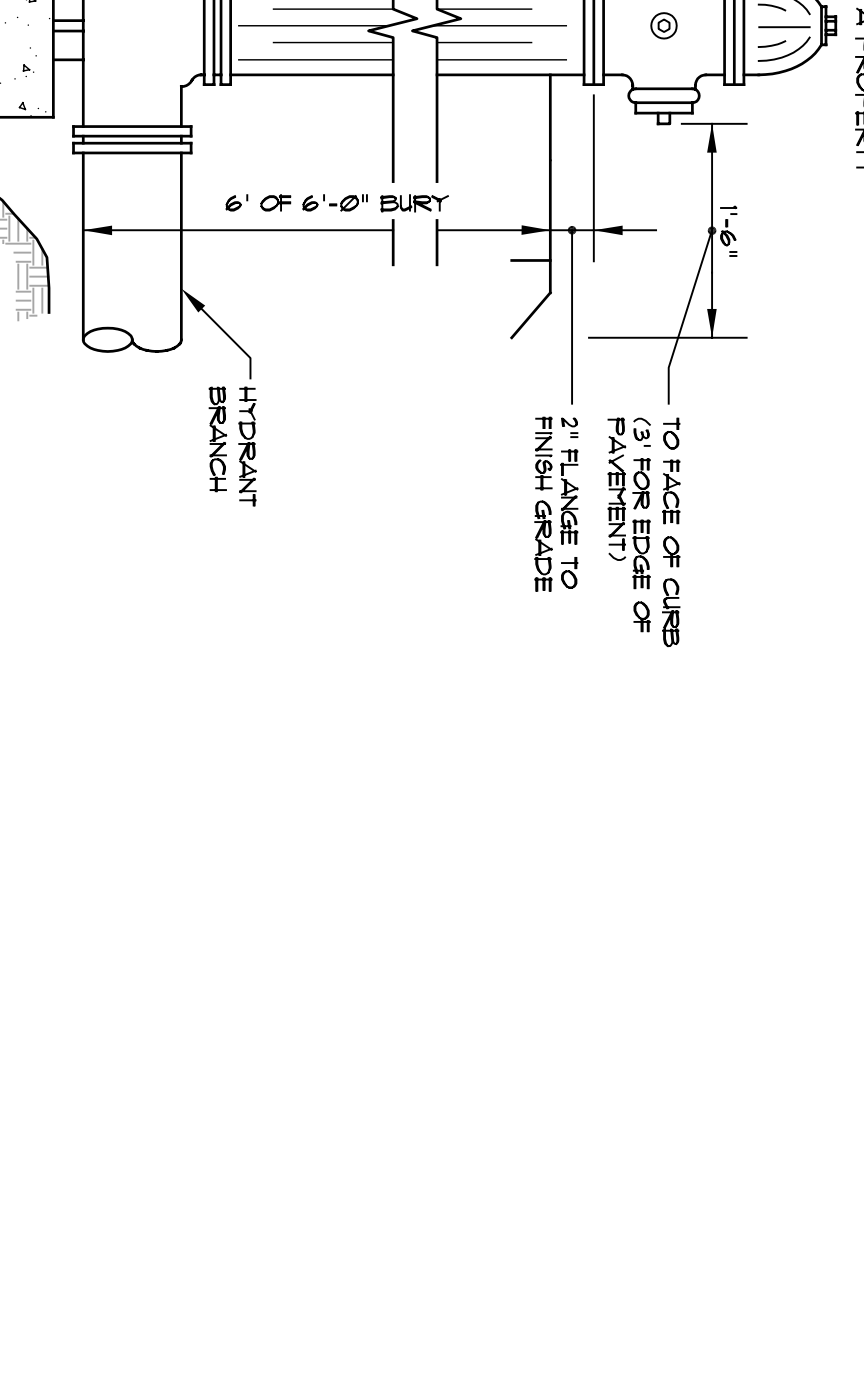
7 PLASTIC MANHOLE STEPS  
NOT TO SCALE



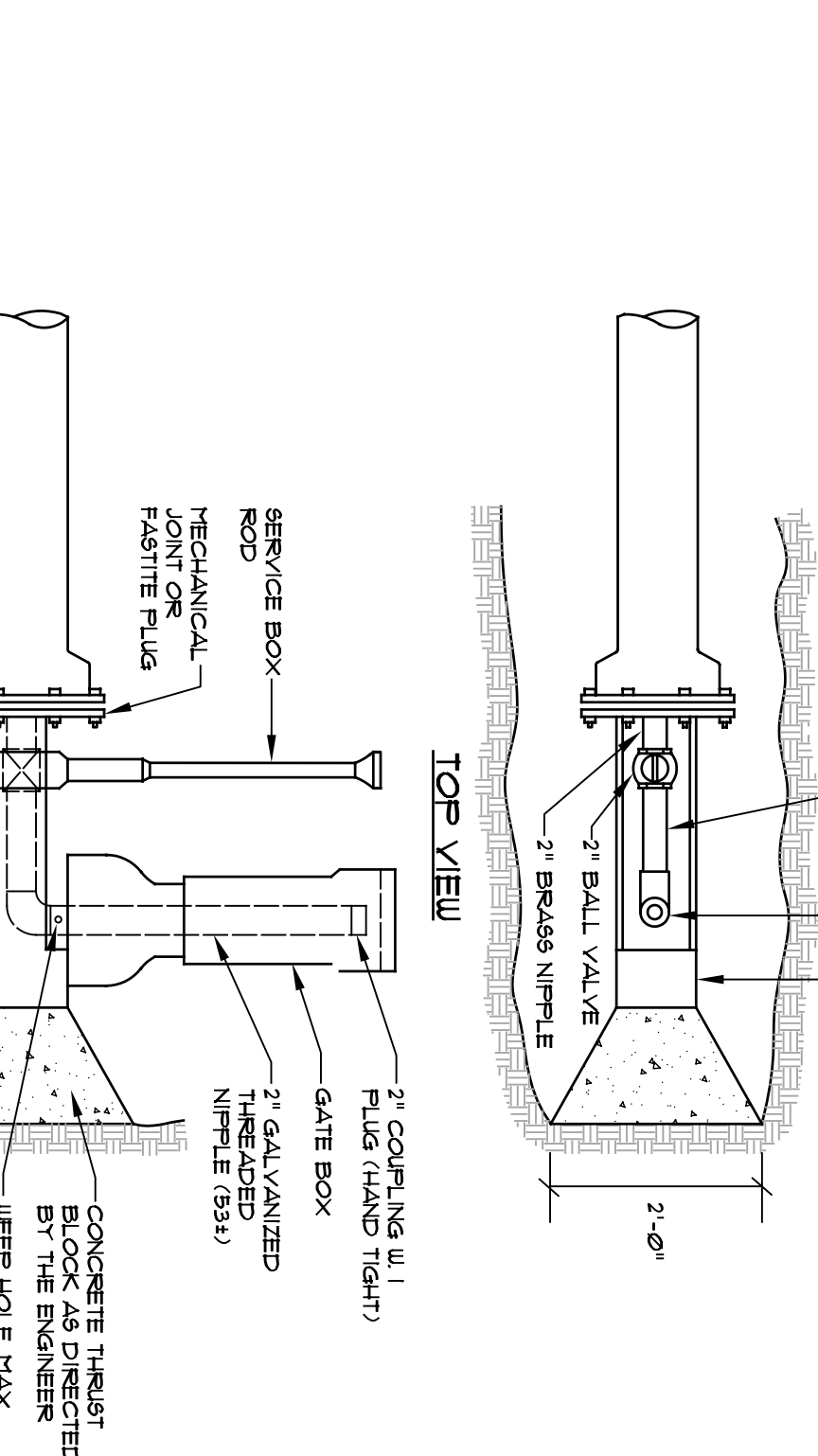
2 TYPICAL NYLOPLAST DRAIN BASIN  
NOT TO SCALE



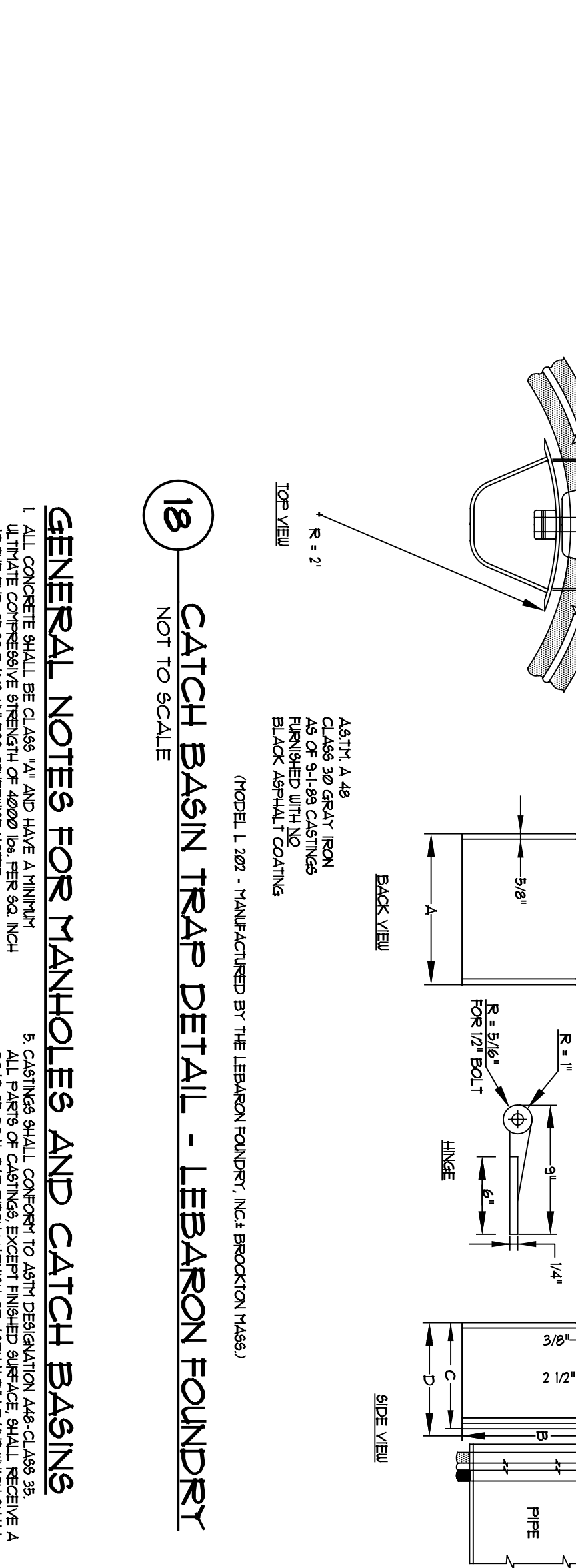
4 TYPICAL NYLOPLAST CURB INLET DRAIN  
NOT TO SCALE



8 TYP. HYDRANT BLOCKING & REPLACEMENT  
NOT TO SCALE



12 TYP. PERFORATED FOUNDATION DRAIN TRENCH SECTION  
NOT TO SCALE



13 STANDARD 2' BLOW-OFF  
NOT TO SCALE

NOTE: MANHOLE COVER & RISING CURB OF TYPE 'A' SHALL BE CAST IN PLACE CONCRETE TO BE FINISHED TO ACCEPT FINISH OF SURROUNDING PAVEMENT.

NOTE: MANHOLE COVER & RISING CURB OF TYPE 'A' SHALL BE CAST IN PLACE CONCRETE TO BE FINISHED TO ACCEPT FINISH OF SURROUNDING PAVEMENT.

NOTE: MANHOLE COVER & RISING CURB OF TYPE 'A' SHALL BE CAST IN PLACE CONCRETE TO BE FINISHED TO ACCEPT FINISH OF SURROUNDING PAVEMENT.

NOTE: MANHOLE COVER & RISING CURB OF TYPE 'A' SHALL BE CAST IN PLACE CONCRETE TO BE FINISHED TO ACCEPT FINISH OF SURROUNDING PAVEMENT.

NOTE: MANHOLE COVER & RISING CURB OF TYPE 'A' SHALL BE CAST IN PLACE CONCRETE TO BE FINISHED TO ACCEPT FINISH OF SURROUNDING PAVEMENT.

NOTE: MANHOLE COVER & RISING CURB OF TYPE 'A' SHALL BE CAST IN PLACE CONCRETE TO BE FINISHED TO ACCEPT FINISH OF SURROUNDING PAVEMENT.

NOTE: MANHOLE COVER & RISING CURB OF TYPE 'A' SHALL BE CAST IN PLACE CONCRETE TO BE FINISHED TO ACCEPT FINISH OF SURROUNDING PAVEMENT.

NOTE: MANHOLE COVER & RISING CURB OF TYPE 'A' SHALL BE CAST IN PLACE CONCRETE TO BE FINISHED TO ACCEPT FINISH OF SURROUNDING PAVEMENT.

### GENERAL NOTES FOR MANHOLES AND CATCH BASINS

1. ALL CONCRETE SHALL BE CAST IN PLACE CONCRETE TO BE FINISHED TO ACCEPT FINISH OF SURROUNDING PAVEMENT.
2. ALL CONCRETE SHALL BE CAST IN PLACE CONCRETE TO BE FINISHED TO ACCEPT FINISH OF SURROUNDING PAVEMENT.
3. ALL CONCRETE SHALL BE CAST IN PLACE CONCRETE TO BE FINISHED TO ACCEPT FINISH OF SURROUNDING PAVEMENT.
4. ALL MANHOLES SHALL HAVE A MINIMUM UNDERPASS AREA OF 1.0 SQ. FT. TO BE MAINTAINED CLEAR OF ALL OBSTRUCTIONS.
5. ALL MANHOLES SHALL HAVE A MINIMUM UNDERPASS AREA OF 1.0 SQ. FT. TO BE MAINTAINED CLEAR OF ALL OBSTRUCTIONS.
6. ALL MANHOLES SHALL HAVE A MINIMUM UNDERPASS AREA OF 1.0 SQ. FT. TO BE MAINTAINED CLEAR OF ALL OBSTRUCTIONS.
7. ALL MANHOLES SHALL HAVE A MINIMUM UNDERPASS AREA OF 1.0 SQ. FT. TO BE MAINTAINED CLEAR OF ALL OBSTRUCTIONS.
8. ALL MANHOLES SHALL HAVE A MINIMUM UNDERPASS AREA OF 1.0 SQ. FT. TO BE MAINTAINED CLEAR OF ALL OBSTRUCTIONS.
9. ALL MANHOLES SHALL HAVE A MINIMUM UNDERPASS AREA OF 1.0 SQ. FT. TO BE MAINTAINED CLEAR OF ALL OBSTRUCTIONS.
10. ALL MANHOLES SHALL HAVE A MINIMUM UNDERPASS AREA OF 1.0 SQ. FT. TO BE MAINTAINED CLEAR OF ALL OBSTRUCTIONS.

SECTION	DATE	DESCRIPTION
1	09/15/24	PRELIM SET
2	08/27/24	RD SET
3	08/27/24	RD SET

CONSTRUCTION NO.	DATE ISSUED	SCALE	SCALE	SCALE
4677	08/27/24	AS SHOWN	AS SHOWN	AS SHOWN
4678	08/27/24	AS SHOWN	AS SHOWN	AS SHOWN
4679	08/27/24	AS SHOWN	AS SHOWN	AS SHOWN

PKC-C  
C601

**TRO**  
ARCHITECTURE  
ARCHITECTURE  
ENGINEERING  
INTERIOR DESIGN

The Rubin Organization  
80 Bridge Street  
Newport, RI 02880  
Phone: 401-863-9400

**Maine Medical Center**  
Pkg C - Site Utilities  
Portland, Maine  
MMC Project No. 21846

DATE	DESCRIPTION
09/15/24	PRELIM SET
08/27/24	RD SET
08/27/24	RD SET