

5.0 Notification Devices

Item No.	Description	Data Sheet Part Number	Data Sheet Label
5.1	Speaker/Strobe Wall Indoor	SPSR	HON-ND-001
5.2	Speaker/Strobe Wall Outdoor	SPSRK	HON-ND-002
5.3	Strobe Indoor	SR	HON-ND-003

SpectrAlert® Advance

Indoor Selectable Output Speaker Strobes and Dual Voltage Evacuation Speakers

General

The SpectrAlert Advance Series of speakers and speaker strobes is designed to reduce ground faults. The plug-in design allows the installer to pre-wire mounting plates and dress the wires before plugging in the speakers. The plastic cover prevents nicked wires by covering exposed speaker components.

This design also allows faster installations with instant feedback to ensure that wiring is properly connected; rotary switches to select voltage and power settings; and 11 field selectable candela settings for wall and ceiling speaker strobes.

The low total harmonic distortion of the SP speaker offers high fidelity sound output while the SPV speaker offers high volume sound output for use in high ambient noise applications.

SpectrAlert Advance makes installation easy

- Attach a universal mounting plate to a 4" x 4" x 2-1/8" back box. Flush mount applications are achievable without the need for an extension ring.
- Connect the notification appliance circuit or speaker wiring to the PEMS terminals on the mounting plate.
- Attach the speaker or speaker strobe to the mounting plate by inserting the product tabs into the mounting plate grooves. Rotate the device into position to lock the product pins into the mounting plate terminals. The device will temporarily hold in place with a catch until it is secured with a captured mounting screw.

Features

- Plug-in design
- Protective cover isolates speaker components, reduces ground faults
- Electrical compatibility with existing SpectrAlert products
- Field selectable candela settings on wall and ceiling units:
 - Standard: 15, 15/75, 30, 75, 95, 110, 115
 - High: 135, 150, 177, 185
- Shorting spring on mounting plate tests continuity before installation
- Rotary switch simplifies field selection of speaker voltage and power settings
- Universal mounting plate for wall- and ceiling-mount units
- Compatible with System Sensor synchronization protocol
- SP speakers offer high fidelity sound output
- SPV speakers offer high volume sound output
- Automatic selection of 12 or 24 volt operation at 15 and 15/75 candela
- No extension ring required
- Ceiling and wall mount application
- Optional tamper resistant Torx head screw included

Specifications

PHYSICAL SPECIFICATIONS

Operating Temperature: 32°F to 120°F (0°C to 49°C)



Humidity Range: 10 to 93% non-condensing

Dimensions, Wall-Mount: –

- SPS Speaker Strobe: 6.0"L x 5.0"W x 4.7"D (includes lens and speaker)
- SPSV Speaker Strobe: 6.0"L x 5.0"W x 4.9"D (includes lens and speaker)
- SP Speaker: 6.0"L x 5.0"W x 2.8"D
- SPSV Speaker: 6.0"L x 5.0"W x 2.9"D

Dimensions, Ceiling-Mount:

- SPS Speaker Strobe: 6.8"Dia x 4.7"D (includes lens and speaker)
- SPSV Speaker Strobe: 6.8"Dia x 4.8"D (includes lens and speaker)
- SP Speaker: 6.8"Dia x 2.8"D
- SPSV Speaker: 6.8"Dia x 2.9"D

ELECTRICAL/OPERATING SPECIFICATIONS

Nominal Voltage (speakers): 25 Volts or 70.7 Volts (nominal)

Maximum Supervisory Voltage (speakers): 50VDC

Strobe Flash Rate: 1 flash per second

Nominal Voltage (strobes): Regulated 12VDC/FWR or regulated 24VDC/FWR

Operating Voltage Range (includes fire alarm panels with built-in sync): 8 to 17.5V (12V nominal) or 16 to 33V (24V nominal)

Operating Voltage with MDL Sync Module: 9 to 17.5V (12V nominal) or 17 to 33V (24V nominal)

Frequency Range: 400 to 4000 Hz

Power: ¼, ½, 1, 2 watts

Agency Listings and Approvals

In some cases, certain modules may not be listed by certain approval agencies, or listing may be in progress. *Consult factory for latest listing status.*

- **UL/ULC Listed:** S4048
- **MEA:** 10-08-E
- **CSFM:** 7320-1653:201
- **FM Approved**

UL Maximum Strobe Current Draw (mA RMS)					
	Candela	8 to 17.5 Volts		16 to 33 Volts	
		DC	FWR	DC	FWR
Standard Candela Range	15	123	128	66	71
	15/75	142	148	77	81
	30	NA	NA	94	96
	75	NA	NA	158	153
	95	NA	NA	181	176
	110	NA	NA	202	195
	115	NA	NA	210	205
High Candela Range	135	NA	NA	228	207
	150	NA	NA	246	220
	177	NA	NA	281	251
	185	NA	NA	286	258

Sound Output					
UL Reverberant (dBA @ 10ft)	2W	1W	1/2W	1/4W	
Wall Mount SP Series	86	83	80	77	
Wall Mount SPV Series	90	87	84	81	
Ceiling Mount SPC Series	86	83	80	77	
Ceiling Mount SPCV Series	90	87	84	81	
Wall Mount SPS Series	85	82	79	76	
Wall Mount SPSV Series	89	86	83	80	
Ceiling Mount SPSC Series	85	82	79	76	
Ceiling Mount SPSCV Series	89	86	83	80	

Architectural/Engineering Specifications

GENERAL

SpectrAlert Advance speaker and speaker strobes shall mount to a 4" x 4" x 2-1/8" backbox. A universal mounting plate shall be used for mounting ceiling and wall products. The notification appliance circuit and amplifier wiring shall terminate at the universal mounting plate. Also, SpectrAlert Advance speaker strobes, when used with the Sync Circuit. Module accessory, shall be powered from a non-coded notification appliance circuit output and shall operate on a nominal 12 or 24volts. When used with the Sync.Circuit Module, 12 volt rated notification appliance circuit outputs shall operate between nine and 17.5 volts; 24 volt rated notification appliance circuit outputs shall operate between 17 and 33 volts. Indoor SpectrAlert Advance products shall operate between 32°F and 120°F from a regulated DC, or full-wave rectified, unfiltered power supply. Speaker strobes shall have field-selectable candela settings including 15, 15/75, 30, 75, 95, 110, 115, 135, 150, 177, 185.

SPEAKER

The speaker shall be a System Sensor SpectrAlert Advance model dual-voltage transformer speaker capable of operating at 25.0 or 70.7 nominal Vrms. It should be listed to UL/ULC 1480 and shall be approved for fire protective service. The speaker shall have a frequency range of 400 to 4000Hz and shall have an operating temperature between 32°F and 120°F. Speaker shall have power taps and voltage that are selected by rotary switches.

SPEAKER STROBE COMBINATION

The speaker strobe shall be a System Sensor SpectrAlert Advance model listed to UL1480 and UL/ULC 1971 and be approved for fire protective signaling systems. Speaker shall be capable of operating at 25.0 or 70.7 nominal Vrms selected via rotary switch, and shall have a frequency range of 400 to 4000Hz. Speaker shall have power taps which are selected by rotary switch. The strobe shall comply with the NFPA 72 requirements for visible signaling appliances, flashing at 1Hz over the

strobe's entire operating voltage range. The strobe light shall consist of a xenon flash tube and associated lens/reflector system.

SYNCHRONIZATION MODULE

The module shall be a System Sensor Sync Circuit model MDL listed to UL/ULC 464 and shall be approved for fire protective service. The module shall synchronize SpectrAlert strobes at 1Hz. The module shall mount to a 4-11/16" x 4-11/16" x 2-1/8" backbox. The module shall also control two Style Y (class B) circuits or one Style Z (class A) circuit. The module shall synchronize multiple zones. Daisy chaining two or more synchronization modules together will synchronize all the zones they control. The module shall not operate on a coded power supply.

Ordering Information

NOTE: (W) indicates white coloring; (R), red.

NOTE: "A" suffix indicates ULC-Listed model.

WALL MOUNT

SP(W)(R)(A): Speaker only.

SP(W)(R)V(A): Speaker only, high dB; white.

SPS(W)(R)(A)*: Speaker strobe, selectable candela (15, 15/75, 30, 75, 95, 110, 115).

SPS(W)(R)H(A)*: Speaker strobe, selectable candela, high cd (135, 150, 177, 185).

SPS(W)(R)V(A)*: Speaker strobe, selectable candela, high dB.

CEILING MOUNT

SPC(W)(R)(A): Speaker only.

SPC(W)(R)V(A): Speaker only, high dB.

SPSC(W*)(R)(A): Speaker strobe, selectable candela (15, 15/75, 30, 50, 75, 95, 110, 115)

SPSC(W*)(R)H(A): Speaker strobe, selectable candela, high cd (135, 150, 177, 185)

SPSC(W*)(R)V(A): Speaker strobe, selectable candela, high dB (15, 15/75, 30, 50, 75, 95, 110, 115).

SPSC(W*)(R)VH(A): Speaker strobe, selectable candela, high dB, high cd (135, 150, 177, 185).

ACCESSORIES

RFP(A): Retrofit plate (5 pack), red.

RFPW(A): Retrofit plate (5 pack), white.

SPBBSC(A): Ceiling mount backbox skirt, red.

SPBBSCW(A): Ceiling mount backbox skirt, white.

SPBBS(A): Wall mount backbox skirt, red.

SPBBSW(A): Wall mount backbox skirt, white.

TR(A): Wall mount trim ring, red, package of 5.

TRW(A): Wall mount trim ring, white, package of 5.

TRC(A): Ceiling mount trim ring, red, package of 5.

TRCW(A): Ceiling mount trim ring, white, package of 5.

MWBB(A): Wall mount, metal weatherproof backbox

MWBBW(A): Wall mount, metal weatherproof backbox, white

MWBBC(A): Ceiling mount, metal weatherproof backbox

MWBBCW(A): Ceiling mount, metal weatherproof backbox, white

***NOTE:** Add -P to model number for plain housing (no 'FIRE' marking on the cover), e.g. SPSW-P

This document is not intended to be used for installation purposes. We try to keep our product information up-to-date and accurate. We cannot cover all specific applications or anticipate all requirements. All specifications are subject to change without notice.

SpectrAlert® is a registered trademark of Honeywell International Inc.

©2011 by Honeywell International Inc. All rights reserved. Unauthorized use of this document is strictly prohibited.

Automation and Control Solutions

Honeywell International Inc.

1985 Douglas Drive North

Golden Valley, MN 55422

www.honeywell.com

Honeywell Limited-Honeywell Limitée

35 Dynamic Drive

Scarborough, Ontario M1V 4Z9

85-3130-3 Rev. 11/11
November 2011
Made in the U.S.A.
© U.S. Registered Trademark
© 2011 Honeywell International Inc.
Page 2 of 2



85-3130-3

Honeywell

SpectrAlert® Advance

Outdoor Selectable Output Speaker Strobes and Dual Voltage Evacuation Speakers

General

The SpectrAlert Advance series offers the broadest line of outdoor speakers and speaker strobes in the industry. From metal and plastic outdoor back boxes, to white and red plastic housings, to wall and ceiling mounting options, virtually every application is covered. SpectrAlert Advance outdoor speakers and speaker strobes offer reliable operation over the entire temperature range of -40°F to 151°F. They may be used indoors or outdoors in wet or dry applications. In addition, these speakers provide a broad frequency response range and low harmonic distortion to provide an accurate and intelligible broadcast of evacuation messages. High sound pressure level at all tap settings ensures that messages are clearly heard.

The plug-in design allows the installer to pre-wire mounting plates and dress the wires before plugging in the speakers to help reduce ground faults. This design also allows faster installations with instant feedback to ensure that wiring is properly connected, rotary switches to select voltage and power settings, and field selectable candela settings for wall and ceiling speaker strobes.

The new weatherproof back boxes have plastic and metal versions. They are now designed to accommodate in-and-out wiring for daisy chaining outdoor devices. The plastic weatherproof back boxes shipped with the product feature removable side flanges and improved resistance to salt water corrosion. The screw hole knockouts located on the back of the weatherproof back box eliminate the need to drill holes for screw-in mounting. Both weatherproof back boxes are available with 3/4 inch top and bottom conduit entries and 3/4 inch knock-outs at the back. Included with each back box is a screw-in NPT plug with an O-ring gasket for a watertight seal. Metal back boxes are available separately.

Features

- Plug-in design
- Electrical compatibility with existing SpectrAlert products
- Shorting spring on mounting plate tests continuity before installation
- Rotary switch simplifies field selection of speaker voltage and power settings
- Universal mounting plate for wall- and ceiling-mount units
- Weatherproof per NEMA 4x, IP56
- Compatible with System Sensor synchronization protocol
- Automatic selection of 12 or 24-volt operation at 15 and 15/75 candela
- Field selectable candela settings on wall and ceiling units
- Ceiling and wall mount application

Agency Listings and Approvals

In some cases, certain modules may not be listed by certain approval agencies, or listing may be in progress. *Consult factory for latest listing status.*

- **UL/ULC Listed:** S4048
- **MEA:** 10-08-E
- **CSFM:** 7320-1653:201



Specifications

PHYSICAL SPECIFICATIONS

Operating Temperature: -40°F to 151°F (-40°C to 66°C)

DIMENSIONS

Dimensions, Wall-Mount:

- SPS Speaker Strobe: 6.0"L x 5.0"W x 4.7"D (including lens and speaker)
- SP Speaker: 6.0"L x 5.0"W x 2.9"D

Dimensions, Ceiling-Mount:

- SPS Speaker Strobe: 6.8" in Diameter x 4.7"D (including lens and speaker)
- SP Speaker: 6.8" in Diameter x 2.9"D

Dimensions, Wall-Mount Weatherproof Backbox

- 6.5"L x 5.5"H x 2.9"D

Dimensions, Ceiling-Mount Weatherproof Backbox

- 7.2"Dia x 2.9"H

ELECTRICAL/OPERATING SPECIFICATIONS

Nominal Voltage (speakers): 25 Volts or 70.7 Volts (nominal)

Maximum Supervisory Voltage (speakers): 50VDC

Strobe Flash Rate: 1 flash per second

Nominal Voltage (Strobes): Regulated 12VDC/FWR or 24VDC/FWR

Operating Voltage Range (includes fire panels with built-in sync): 8 to 17.5V (12V nominal) or 16 to 33V (24 nominal)

Operating Voltage with MDL Sync Module:

9 to 17.5V (12V nominal) or 17 to 33V (24V nominal)

Frequency Range: 400 to 4000Hz

Power: ¼, ½, 1, 2 watts

Sound Output				
UL Reverberant (dBA @ 10ft)	2W	1W	½W	¼W
Outdoor Speaker	90	87	84	81
Outdoor Speaker/Speaker Strobe	89	86	83	80

UL Maximum Strobe Current Draw (mA RMS)					
	Candela	8 to 17.5 Volts		16 to 33 Volts	
		DC	FWR	DC	FWR
Standard Candela Range	15	123	128	66	71
	15/75	142	148	77	81
	30	NA	NA	94	96
	75	NA	NA	158	153
	95	NA	NA	181	176
	110	NA	NA	202	195
High Candela Range	115	NA	NA	210	205
	135	NA	NA	228	207
	150	NA	NA	246	220
	177	NA	NA	281	251
	185	NA	NA	286	258

Candela Derating

NOTE: For K series products used at low temperatures, listed candela ratings must be reduced in accordance with this table.

Strobe Output (cd)	
Listed Candela	Candela Rating at -40°F
15	Do not use below 32°F
15/75	
30	
75	
95	44
110	70
115	110
135	115
150	135
177	150
185	177
	185

Architectural/Engineering Specifications

GENERAL

SpectrAlert Advance outdoor speaker and speaker strobes shall mount to a weatherproof back box. A universal mounting plate shall be used for mounting ceiling and wall products. The notification appliance circuit and amplifier wiring shall terminate at the universal mounting plate. Also, SpectrAlert Advance speaker strobes, when used with the SyncCircuit™ Module accessory, shall be powered from a non-coded notification appliance circuit output and shall operate on a nominal 12 or 24 volts. When used with the SyncCircuit Module, 12-volt rated notification appliance circuit outputs shall operate between 9 and 17.5 volts; 24-volt rated notification appliance circuit outputs shall operate between 17 and 33 volts. Outdoor SpectrAlert Advance products shall operate between -40°F and 151°F from a regulated DC, or full-wave rectified, unfiltered power supply.

SPEAKER

The Speaker shall be a System Sensor SpectrAlert Advance Model _____ dual voltage transformer speaker capable of operating at 25.0 or 70.7 nominal Vrms. It shall be listed to UL/

ULC Standard S4048 for outdoor fire protective signaling systems. It shall have a frequency range of 400 to 4000 Hz and shall have an operating temperature from -40°F to 150.8°F. It shall have power taps and wattage settings which are selected by rotary switches. The speaker must be installed with its weatherproof backbox in order to remain outdoor approved per UL/ULC listing S4048. The speaker shall be suitable for use in air handling spaces, as well as wet environments.

SPEAKER STROBE COMBINATION

The Speaker Strobe shall be a System Sensor Model _____ listed to UL/ULC 1638 and UL/ULC 1480 and be approved for fire protective signaling systems. It shall be capable of operating at 25.0 or 70.7 nominal Vrms, and shall have a frequency range of 400 to 4000 Hz. It shall have power taps that are selected by rotary switch. The strobe shall consist of a xenon flash tube with associated lens/reflector system and operate on either 12V or 24V. The strobe shall also feature selectable candela output, providing options for 15 or 15/75 candela when operating on 12V and 15, 15/75, 30, 75, 110, 115, 135, 150, 177 or 185 when operating on 24V. The strobe shall comply with the Americans with Disabilities Act requirement for visible signaling appliances, flashing at 1 Hz over the strobe's entire operating voltage range. The speaker strobe must be installed with its weatherproof back box in order to remain outdoor approved per UL/ULC. The speaker strobe shall be suitable for use in wet environments.

Product Line Information

NOTE: "A" suffix indicates ULC-Listed model.

NOTE: All outdoor models ("K(A)" suffix), include weatherproof backbox.

NOTE: Add "R" to outdoor models for weatherproof replacement device (no backbox included).

SPWK(A): Wall mount outdoor speaker; white.

SPRK(A): Wall mount outdoor speaker; red.

SPSWK(A): Wall mount outdoor speaker strobe, selectable candela (15, 15/75, 30, 75, 95, 110, 115); white.

SPSRK(A): Wall mount outdoor speaker strobe, selectable candela (15, 15/75, 30, 75, 95, 110, 115); red.

SPCWK(A): Ceiling mount outdoor speaker; white.

SPSCWK(A): Ceiling mount outdoor speaker strobe, selectable candela (15, 15/75, 30, 50, 75, 95, 110, 115); white.

SPSCWHK(A): Ceiling mount outdoor speaker strobe, selectable candela, high cd (135, 150, 177, 185); white.

ACCESSORIES

MWBB(A): Wall, metal weatherproof backbox; red.

MWBBW(A): Wall, metal weatherproof backbox; white.

MWBBCW(A): Ceiling, metal weatherproof backbox; white.

WTP-SP: Flush mount weatherproof plate for use with speakers/speaker strobes, red.

WTP-SPW: Flush mount weatherproof plate for use with speakers/speaker strobes, white.

This document is not intended to be used for installation purposes. We try to keep our product information up-to-date and accurate. We cannot cover all specific applications or anticipate all requirements. All specifications are subject to change without notice.

System Sensor® is a registered trademark of Honeywell International Inc.

©2011 by Honeywell International Inc. All rights reserved. Unauthorized use of this document is strictly prohibited.

Automation and Control Solutions

Honeywell International Inc.
1985 Douglas Drive North
Golden Valley, MN 55422
www.honeywell.com

Honeywell Limited-Honeywell Limitée
35 Dynamic Drive
Scarborough, Ontario M1V 4Z9

85-3131-3 Rev. 11/11
November 2011
Made in the U.S.A.
© U.S. Registered Trademark
© 2011 Honeywell International Inc.
Page 2 of 2



85-3131-3

Honeywell



Selectable-Output Horns, Strobes, and Horn Strobes

SpectrAlert® Advance selectable-output horns, strobes, and horn strobes are rich with features guaranteed to cut installation times and maximize profits.



SPECTRAlert
ADVANCE
from System Sensor

Features

- Plug-in design with minimal intrusion into the back box
- Tamper-resistant construction
- Automatic selection of 12- or 24-volt operation at 15 and 15/75 candela
- Field-selectable candela settings on wall and ceiling units: 15, 15/75, 30, 75, 95, 110, 115, 135, 150, 177, and 185
- Horn rated at 88+ dBA at 16 volts
- Rotary switch for horn tone and three volume selections
- Universal mounting plate for wall and ceiling units
- Mounting plate shorting spring checks wiring continuity before device installation
- Electrically compatible with existing SpectrAlert products
- Compatible with MDL sync module

The SpectrAlert Advance series offers the most versatile and easy-to-use line of horns, strobes, and horn strobes in the industry. With white and red plastic housings, wall and ceiling mounting options, and plain and FIRE-printed devices, SpectrAlert Advance can meet virtually any application requirement.

Like the entire SpectrAlert Advance product line, horns, strobes, and horn strobes include a variety of features that increase their application versatility while simplifying installation. All devices feature plug-in designs with minimal intrusion into the back box, which make installations fast and foolproof while virtually eliminating costly and time-consuming ground faults. Furthermore, a universal mounting plate with an onboard shorting spring tests wiring continuity before the device is installed, protecting devices from damage.

In addition, field-selectable candela settings, automatic selection of 12- or 24-volt operation, and a rotary switch for horn tones with three volume selections enables installers to easily adapt devices to suit a wide range of application requirements.

Agency Listings



S4011 (chimes, horn strobes, horns)
S5512 (strobes)



3023572



MEA452-05-E



7125-1653:186 (indoor strobes)
7125-1653:188 (horn strobes,
chime strobes)
7135-1653:189 (horns, chimes)

SpectrAlert Advance Specifications

Architect/Engineer Specifications

General

SpectrAlert Advance horns, strobes, and horn strobes shall mount to a standard 4 × 4 × 1½-inch back box, 4-inch octagon back box, or double-gang back box. Two-wire products shall also mount to a single-gang 2 × 4 × 17⁄8-inch back box. A universal mounting plate shall be used for mounting ceiling and wall products. The notification appliance circuit wiring shall terminate at the universal mounting plate. Also, SpectrAlert Advance products, when used with the Sync-Circuit™ Module accessory, shall be powered from a non-coded notification appliance circuit output and shall operate on a nominal 12 or 24 volts. When used with the Sync-Circuit Module, 12-volt-rated notification appliance circuit outputs shall operate between 9 and 17.5 volts; 24-volt-rated notification appliance circuit outputs shall operate between 17 and 33 volts. Indoor SpectrAlert Advance products shall operate between 32 and 120 degrees Fahrenheit from a regulated DC or full-wave rectified unfiltered power supply. Strobes and horn strobes shall have field-selectable candela settings including 15, 15/75, 30, 75, 95, 110, 115, 135, 150, 177, and 185.

Strobe

The strobe shall be a System Sensor SpectrAlert Advance Model _____ listed to UL 1971 and shall be approved for fire protective service. The strobe shall be wired as a primary-signaling notification appliance and comply with the Americans with Disabilities Act requirements for visible signaling appliances, flashing at 1 Hz over the strobe's entire operating voltage range. The strobe light shall consist of a xenon flash tube and associated lens/reflector system.

Horn Strobe Combination

The horn strobe shall be a System Sensor SpectrAlert Advance Model _____ listed to UL 1971 and UL 464 and shall be approved for fire protective service. The horn strobe shall be wired as a primary-signaling notification appliance and comply with the Americans with Disabilities Act requirements for visible signaling appliances, flashing at 1 Hz over the strobe's entire operating voltage range. The strobe light shall consist of a xenon flash tube and associated lens/reflector system. The horn shall have three audibility options and an option to switch between a temporal three-pattern and a non-temporal (continuous) pattern. These options are set by a multiple position switch. On four-wire products, the strobe shall be powered independently of the sounder. The horn on horn strobe models shall operate on a coded or non-coded power supply.

Synchronization Module

The module shall be a System Sensor Sync-Circuit model MDL listed to UL 464 and shall be approved for fire protective service. The module shall synchronize SpectrAlert strobes at 1 Hz and horns at temporal three. Also, while operating the strobes, the module shall silence the horns on horn strobe models over a single pair of wires. The module shall mount to a 4¹¹/₁₆ × 4¹¹/₁₆ × 2¹/₈-inch back box. The module shall also control two Style Y (class B) circuits or one Style Z (class A) circuit. The module shall synchronize multiple zones. Daisy chaining two or more synchronization modules together will synchronize all the zones they control. The module shall not operate on a coded power supply.

Physical/Electrical Specifications

Standard Operating Temperature	32°F to 120°F (0°C to 49°C)
Humidity Range	10 to 93% non-condensing
Strobe Flash Rate	1 flash per second
Nominal Voltage	Regulated 12 DC/FWR or regulated 24 DC/FWR ¹
Operating Voltage Range²	8 to 17.5 V (12 V nominal) or 16 to 33 V (24 V nominal)
Input Terminal Wire Gauge	12 to 18 AWG
Ceiling-Mount Dimensions (including lens)	6.8" diameter × 2.5" high (173 mm diameter × 64 mm high)
Wall-Mount Dimensions (including lens)	5.6" L × 4.7" W × 2.5" D (142 mm L × 119 mm W × 64 mm D)
Horn Dimensions	5.6" L × 4.7" W × 1.3" D (142 mm L × 119 mm W × 33 mm D)
Wall-Mount Back Box Skirt Dimensions (BBS-2, BBSW-2)	5.9" L × 5.0" W × 2.2" D (151 mm L × 128 mm W × 56 mm D)
Ceiling-Mount Back Box Skirt Dimensions (BBSC-2, BBSCW-2)	7.1" diameter × 2.2" high (180 mm diameter × 57 mm high)
Wall-Mount Trim Ring Dimensions (sold as a 5 pack) (TR-HS, TRW-HS)	5.7" L × 4.8" W × 0.35" D (145 mm L × 122 mm W × 9 mm D)
Ceiling-Mount Trim Ring Dimensions (sold as a 5 pack) (TRC-HS, TRCW-HS)	6.9" diameter × 0.35" high (175 mm diameter × 9 mm high)

Notes:

1. Full Wave Rectified (FWR) voltage is a non-regulated, time-varying power source that is used on some power supply and panel outputs.
2. P, S, PC, and SC products will operate at 12 V nominal only for 15 and 15/75 cd.

UL Current Draw Data

UL Max. Strobe Current Draw (mA RMS)						UL Max. Horn Current Draw (mA RMS)					
	Candela	8–17.5 Volts		16–33 Volts		Sound Pattern	dB	8–17.5 Volts		16–33 Volts	
		DC	FWR	DC	FWR			DC	FWR	DC	FWR
Standard Candela Range	15	123	128	66	71	Temporal	High	57	55	69	75
	15/75	142	148	77	81	Temporal	Medium	44	49	58	69
	30	NA	NA	94	96	Temporal	Low	38	44	44	48
	75	NA	NA	158	153	Non-temporal	High	57	56	69	75
	95	NA	NA	181	176	Non-temporal	Medium	42	50	60	69
	110	NA	NA	202	195	Non-temporal	Low	41	44	50	50
	115	NA	NA	210	205	Coded	High	57	55	69	75
High Candela Range	135	NA	NA	228	207	Coded	Medium	44	51	56	69
	150	NA	NA	246	220	Coded	Low	40	46	52	50
	177	NA	NA	281	251						
	185	NA	NA	286	258						

UL Max. Current Draw (mA RMS), 2-Wire Horn Strobe, Standard Candela Range (15–115 cd)										
DC Input	8–17.5 Volts		16–33 Volts		30	75	95	110	115	
	15	15/75	15	15/75						
Temporal High	137	147	79	90	107	176	194	212	218	
Temporal Medium	132	144	69	80	97	157	182	201	210	
Temporal Low	132	143	66	77	93	154	179	198	207	
Non-Temporal High	141	152	91	100	116	176	201	221	229	
Non-Temporal Medium	133	145	75	85	102	163	187	207	216	
Non-Temporal Low	131	144	68	79	96	156	182	201	210	
FWR Input										
Temporal High	136	155	88	97	112	168	190	210	218	
Temporal Medium	129	152	78	88	103	160	184	202	206	
Temporal Low	129	151	76	86	101	160	184	194	201	
Non-Temporal High	142	161	103	112	126	181	203	221	229	
Non-Temporal Medium	134	155	85	95	110	166	189	208	216	
Non-Temporal Low	132	154	80	90	105	161	184	202	211	

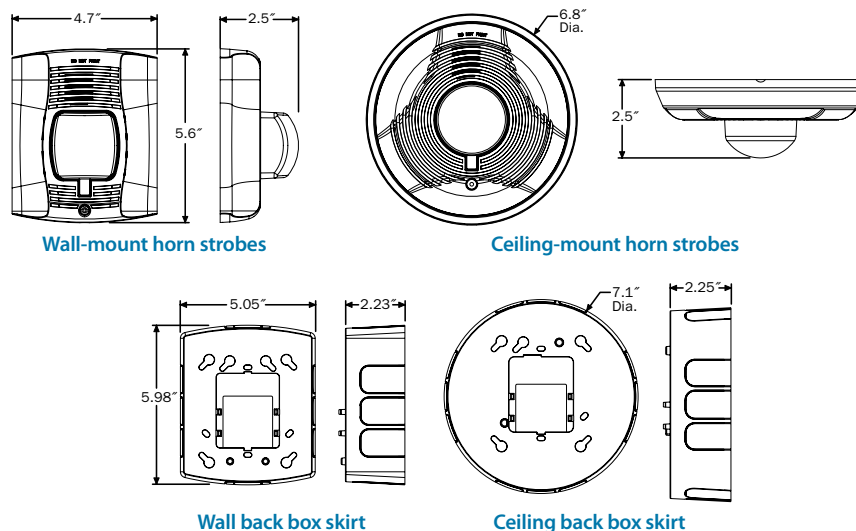
UL Max. Current Draw (mA RMS), 2-Wire Horn Strobe, High Candela Range (135–185 cd)										
DC Input	16–33 Volts				FWR Input	16–33 Volts				
	135	150	177	185		135	150	177	185	
Temporal High	245	259	290	297	Temporal High	215	231	258	265	
Temporal Medium	235	253	288	297	Temporal Medium	209	224	250	258	
Temporal Low	232	251	282	292	Temporal Low	207	221	248	256	
Non-Temporal High	255	270	303	309	Non-Temporal High	233	248	275	281	
Non-Temporal Medium	242	259	293	299	Non-Temporal Medium	219	232	262	267	
Non-Temporal Low	238	254	291	295	Non-Temporal Low	214	229	256	262	

Horn Tones and Sound Output Data

Horn and Horn Strobe Output (dBA)										
Switch Position	Sound Pattern	dB	8–17.5 Volts		16–33 Volts		24-Volt Nominal			
			DC	FWR	DC	FWR	Reverberant		Anechoic	
			DC	FWR	DC	FWR	DC	FWR	DC	FWR
1	Temporal	High	78	78	84	84	88	88	99	98
2	Temporal	Medium	74	74	80	80	86	86	96	96
3	Temporal	Low	71	73	76	76	83	80	94	89
4	Non-Temporal	High	82	82	88	88	93	92	100	100
5	Non-Temporal	Medium	78	78	85	85	90	90	98	98
6	Non-Temporal	Low	75	75	81	81	88	84	96	92
7 [†]	Coded	High	82	82	88	88	93	92	101	101
8 [†]	Coded	Medium	78	78	85	85	90	90	97	98
9 [†]	Coded	Low	75	75	81	81	88	85	96	92

[†]Settings 7, 8, and 9 are not available on 2-wire horn strobe.

SpectrAlert Advance Dimensions



SpectrAlert Advance Ordering Information

Model	Description
Wall Horn Strobes	
P2R*†	2-Wire Horn Strobe, Standard cd‡, Red
P2RH*	2-Wire Horn Strobe, High cd, Red
P2W*	2-Wire Horn Strobe, Standard cd, White
P2WH*	2-Wire Horn Strobe, High cd, White
P4R*	4-Wire Horn Strobe, Standard cd, Red
P4RH	4-Wire Horn Strobe, High cd, Red
P4W	4-Wire Horn Strobe, Standard cd, White
Wall Strobes	
SR*†	Strobe, Standard cd, Red
SRH*†	Strobe, High cd, Red
SW*	Strobe, Standard cd, White
SWH*	Strobe, High cd, White
Ceiling Horn Strobes	
PC2R*	2-Wire Horn Strobe, Standard cd, Red
PC2RH	2-Wire Horn Strobe, High cd, Red
PC2W*†	2-Wire Horn Strobe, Standard cd, White
PC2WH*	2-Wire Horn Strobe, High cd, White
PC4R	4-Wire Horn Strobe, Standard cd, Red
PC4RH	4-Wire Horn Strobe, High cd, Red
PC4W	4-Wire Horn Strobe, Standard cd, White

Model	Description
Ceiling Strobes	
SCR	Strobe, Standard cd, Red
SCRH	Strobe, High cd, Red
SCW*	Strobe, Standard cd, White
SCWH	Strobe, High cd, White
Horns	
HR	Horn, Red
HW	Horn, White
Accessories	
BBS-2	Back Box Skirt, Wall, Red
BBSW-2	Back Box Skirt, Wall, White
BBSC-2	Back Box Skirt, Ceiling, Red
BBSCW-2	Back Box Skirt, Ceiling, White
TR-HS	Trim Ring, Wall, Red
TRW-HS	Trim Ring, Wall White
TRC-HS	Trim Ring, Ceiling, Red
TRCW-HS	Trim Ring, Ceiling, White

Notes:

* Add "-P" to model number for plain housing (no "FIRE" marking on cover), e.g., P2R-P.

† Add "-SP" to model number for "FUEGO" marking on cover, e.g., P2R-SP.

‡ "Standard cd" refers to strobes that include 15, 15/75, 30, 75, 95, 110, and 115 candela settings. "High cd" refers to strobes that include 135, 150, 177, and 185 candela settings.



3825 Ohio Avenue • St. Charles, IL 60174
Phone: 800-SENSOR2 • Fax: 630-377-6495

©2009 System Sensor.
Product specifications subject to change without notice. Visit systemsensor.com for current product information, including the latest version of this data sheet.
A05-0395-007 • 4/09 • #2132