

## 3.0 Field Components

<b>Item No.</b>	<b>Description</b>	<b>Data Sheet Part Number</b>	<b>Data Sheet Label</b>
3.1	Electromagnetic Door Holder	1509-AQN5	HON-FC-001
3.2	Universal End-of-Line Device Mounting Plates	EOL-CW	HON-FC-002
3.3	Duct Smoke Detector Housing	DNR, DST3, RTS151, RA100Z	HON-FC-003
3.4	Isolator Module	TC811A1006	HON-FC-004
3.5	STI Universal Stopper	STI13220FR	HON-FC-005



# Electromagnetic Door Holders



## Overview

Edwards Electromagnetic Door Holders are ruggedly constructed and attractively designed. The housing is finished with an aluminum color, durable baked polyester powder paint. The floor or wall section houses the electromagnet while the contact plate attaches to the door. The contact plate has a shock absorbing nylon (swivel) ball which allows the plate to adjust to any door angle. Floor units are available in single-door or double-door (back to back) versions. Wall units are available in flush or surface mounted versions.

Edwards door releases should be installed wherever doors may be effectively used to confine smoke and fire, or where the release of a self-closing door from a remote location is desirable for other reasons.

Fail-safe operation is an inherent feature of Edwards door holder-releases. If power fails, doors are released automatically but may be opened or closed manually at any time. All units are free of moving parts, are self-contained and require no maintenance.

These door holder-releases have a holding force of approximately 25 Lbf (111N). The device holds a door open while energized. When de-energized by a relay controlled by the fire alarm system or other switch, the door is released to a closed position, checking the spread of smoke and flames. Electromagnetic door holders should be used and installed in accordance with local Building Codes and Standards.

## Standard Features

- Floor and wall mounted styles
- Low power consumption
- AC/DC models
- Completely silent operation
- 25 Lbf (111N) nominal holding force
- Adjustable, swivel contact plate

## Basic Models

### Floor Mounted:

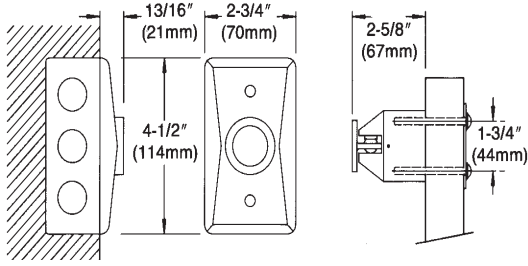
The electromagnet portion consists of a floor plate and a floor housing which when installed with gaskets provided, form a weatherproof electrical junction box. Incoming conduit connects directly into floor plate.

Floor mounted units are available with one (Cat. No. 1501) or two (Cat. No. 1502) magnet faces for holding a single door or two doors back to back.

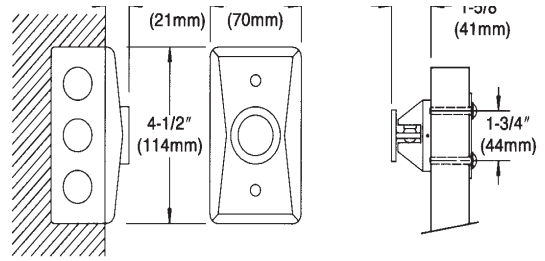
### Wall Mounted:

Wall mounted models are available in flush, semi-flush and surface mounting configurations. Flush and semi-flush models are designed for concealed wiring applications and mount on standard single gang (2 x 4 inch) outlet boxes. Surface mounted models mount on a surface adaptor housing (junction box), which is provided.

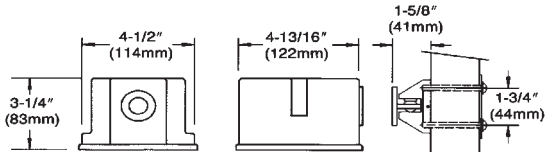
# Dimensions



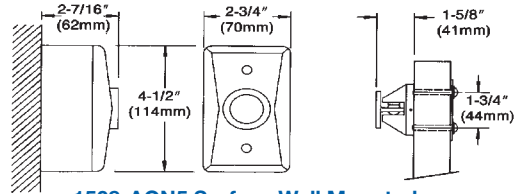
**1504-AQN5 Flush Wall Mounted (Long Catch Plate)**



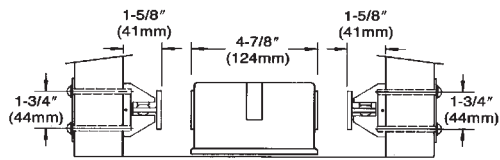
**1505-AQN5 Flush Wall Mounted (Short Catch Plate)**



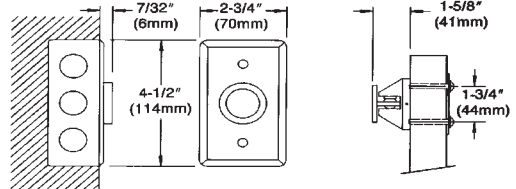
**1501-AQN5 Floor Mounted (Single Door)**



**1508-AQN5 Surface Wall Mounted**



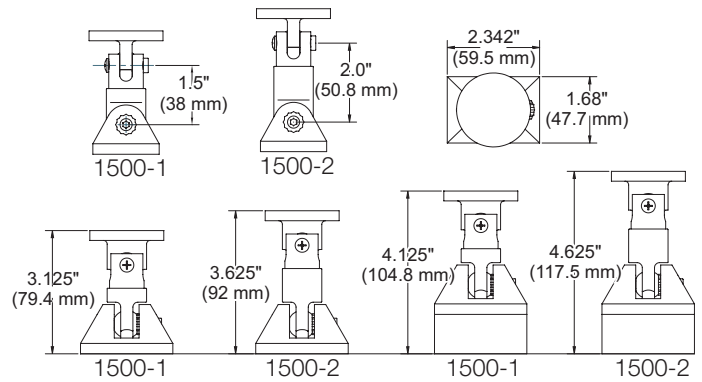
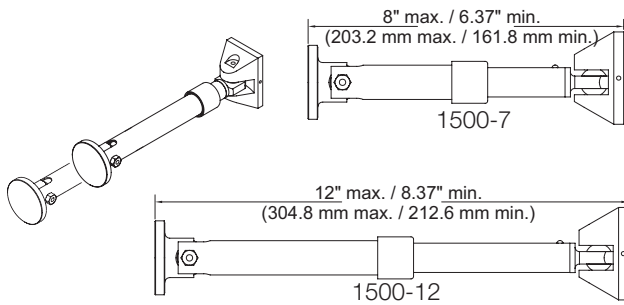
**1502-AQN5 Floor Mounted (Double Door)**



**1509-AQN5 Completely Flush Wall Mounted**

# Catch Plate Extensions

Only the extension rods are included. The end pieces are included with the doorholders or can be ordered separately.



## Specifications

Model No.	Style	Volts	Amps*
1501-AQN5	Floor Mounted (Single Door)		
1502-AQN5	Floor Mounted (Double Door)		
1504-AQN5	Flush Wall Mounted (Long Catch Plate)	24 Vac 60 Hz	.015
1505-AQN5	Flush Wall Mounted (Short Catch Plate)	24 Vdc 120 Vac 60 Hz	
1508-AQN5	Surface Wall Mounted		
1509-AQN5	Completely Flush Wall Mounted		

\*1502-AQN5 is a double unit which draws .015 per side

## Ordering Information

Model No.	Description	Ship. Wt. lb (kg)
1501-AQN5	Floor Mounted (Single Door)	5.4 (2.45)
1502-AQN5	Floor Mounted (Double Door)	5.0 (2.27)
1504-AQN5	Flush Wall Mounted (Long Catch Plate)	2.0 (0.91)
1505-AQN5	Flush Wall Mounted (Short Catch Plate)	2.0 (0.91)
1508-AQN5	Surface Wall Mounted	3.0 (1.36)
1509-AQN5	Completely Flush Wall Mounted	2.0 (0.91)

### Accessories

1500-1	Catch plate extension assembly, 1.5"	0.25 (0.11)
1500-2	Catch plate extension assembly, 2.5"	0.25 (0.11)
1500-7	Catch plate extension assembly (5.25 to 7.5 inches)	0.5 (0.23)
1500-12	Catch plate extension assembly (7.5 to 12 inches)	1.0 (0.45)
CS2595-5	Replacement armature - short (for use with 1501, 1502, 1505, 1508 and 1509 door holders)	0.25 (0.11)
CS2598-5	Replacement armature - long (for use with 1504 door holder)	0.25 (0.11)

**CAUTION:** These Door Holder units will not operate without electrical power.



Contact us...

Phone: 1-800-336-4206

Web: [www.edwardssignaling.com](http://www.edwardssignaling.com)

Edwards Signaling is  
an **EDWARDS** brand.

3 Farm Glen Boulevard  
Farmington, CT 06032

In Canada, contact Chubb Edwards...

Email: [inquiries@chubbedwards.com](mailto:inquiries@chubbedwards.com)

Web: [www.chubbedwards.com](http://www.chubbedwards.com)

© 2013 UTC Fire & Security Americas  
Corporation, Inc. All rights reserved.  
Specifications subject to change  
without notice. Edwards is part of UTC  
Climate, Controls & Security, a unit of  
United Technologies Corporation.

---

## EOL-CR, EOL-CW

### Universal End-of-Line Device Mounting Plates

#### General

The EOL-CR and EOL-CW Universal End-of-Line Device Mounting Plates are used, when required, to place the end-of-line device at an accessible height. The EOL-CR/-CW consists of a terminal strip mounted on a heavy gauge metallic single-gang faceplate, finished in red or white baked enamel; it fits on a standard single-gang electrical box. The end-of-line device is included with the corresponding module in the central equipment. Please refer to the central equipment documentation for end-of-line device information.

#### Architectural/Engineering Specifications

The End-of-Line Device Mounting Plate shall be model EOL-CR/-CW. It shall consist of a terminal strip, mounted on a single-gang faceplate, made of heavy-gauge metal, finished in red (EOL-CR) or white (EOL-CW), and shall fit on a standard single-gang electrical box.

#### Agency Listings and Approvals

The listings and approvals below apply to the EOL-CR and EOL-CW Mounting Plates for End-of-Line Devices. In some cases, certain modules or applications may not be listed by certain approval agencies, or listing may be in process. Consult factory for latest listing status.



5915phot.tif

**EOL-CR (Red)**

- ULC Listed: file 3805C1.

#### Ordering Information

**EOL-CR:** End-of-line device mounting plate (*red*).  
Shipping weight 0.17 kg (6 oz.).

**EOL-CW:** End-of-line device mounting plate (*white*).  
Shipping weight 0.17 kg (6 oz.).

---

This document is not intended to be used for installation purposes. We try to keep our product information up-to-date and accurate. We cannot cover all specific applications or anticipate all requirements. All specifications are subject to change without notice.  
©2010 by Honeywell International Inc. All rights reserved. Unauthorized use of this document is strictly prohibited.

### Automation and Control Solutions

Honeywell International Inc.  
1985 Douglas Drive North  
Golden Valley, MN 55422  
www.honeywell.com

Honeywell Limited-Honeywell Limitée  
35 Dynamic Drive  
Scarborough, Ontario M1V 4Z9

85-3062-1 Rev. 4-10  
April 2010  
Made in the U.S.A.  
© U.S. Registered Trademark  
© 2010 Honeywell International Inc.  
Page 2 of 2



85-3062-1

# Honeywell

## DNR(A)/DNRW InnovairFlex

### Intelligent Non-Relay Photoelectric Duct Smoke Detector

#### General

The Honeywell InnovairFlex® DNR(A) intelligent non-relay photoelectric duct smoke detector and DNRW watertight non-relay photoelectric duct smoke detector feature a pivoting housing that fits both square and rectangular footprints capable of mounting to a round or rectangular duct.

DNRW duct smoke detector, with its NEMA-4 rating, is listed as a watertight, UV resistant enclosure providing protection against falling dirt, rain, and windblown dust, splashing and hose directed water, allowing operators to use the detector in the most extreme environments.

These units sense smoke in the most challenging conditions, operating in airflow speeds of 100 to 4,000 feet per minute (0.5 to 20.32 m/s), temperatures of -4°F to 158°F (-20°C to 70°C), and a humidity range of 0 to 95 percent (non-condensing.)

An improved cover design isolates the sensor head, which allows for ease of maintenance. A cover tamper feature indicates a trouble signal for a removed or improperly installed sensor cover. The Honeywell InnovairFlex housing provides a 3/4-inch conduit knockout and ample space to facilitate easy wiring and mounting of a relay module.

The Honeywell InnovairFlex duct smoke detector can be customized to meet local codes and specifications without additional wiring. The new InnovairFlex product line is compatible with all previous Innovair models, including remote test accessories.

#### Features

- Photoelectric, integrated low-flow technology.
- Air velocity rating from 100 ft/min to 4,000 ft/min (0.5 m/s to 20.32 m/s).
- Versatile mounting options: square or rectangular configuration.
- Broad ranges for operating temperature (-4°F to 158°F, -20°C to 70°C) and humidity (0% to 95% non-condensing).
- Patented sampling tube installs from front or back of the detector with no tools required.
- Cover tamper signal.
- Increased wiring space with a newly added 3/4" conduit knockout.
- Available space within housing to accommodate mounting of a relay module.
- Easily accessible code wheels on sensor head (sold separately).
- Clear cover for convenient visual inspection.
- Remote testing capability.
- Requires com line power only.
- Accommodates the installation of an addressable relay module, sold separately, for applications requiring a Form-C relay.

#### Specifications

**Size: (Rectangle)** 14.38 in (37 cm) Length; 5 in (12.7 cm) Width, 2.5 in (6.6 cm) Depth.

**Size: (Square)** 7.75 in (19.7 cm) Length; 9 in (22.9 cm) Width; 2.5 in (6.35 cm) Depth.



**Weight:** 1.6 lb (0.73 kg).

**Operating Temperature Range:** -4°F to 158°F (-20°C to 70°C).

**Storage Temperature Range:** -22°F to 158°F (-30°C to 70°C).

**Operating Humidity Range:** 0% to 95% relative humidity (non-condensing).

**Air Duct Velocity:** 100 to 4,000 ft/min (0.5 to 20.32 m/s).

#### Accessories

Honeywell provides system flexibility with a variety of accessories, including two remote test stations and different means of visible and audible system annunciation. As with our duct smoke detectors, all duct smoke detectors accessories are UL listed.

DNR(W)s with a date code of 0013 or higher do not require external 24VDC for remote test applications when used with a remote-test-capable detector.

#### ACCESSORY CURRENT LOADS AT 24 VDC

Device	Standby	Alarm
RA100Z	0mA	12 mA Max
RTS151/ RTS151KEY	0mA	12mA Max

#### Agency Listings and Approvals

Consult product manual for lists of compatible UL-Listed devices. In some cases, certain modules may not be listed by certain approval agencies, or listing may be in process. Consult factory for latest listing status.

- **UL:** S911, S3705, S470.
- **ULC:** S3705, S635.
- **CSFM:** 3242-1653:0209.
- **FM approved.**

#### Product Line Information

**NOTE:** "A or "CDN" suffix indicates ULC listed model.

**DNR(A):** Intelligent non-relay photoelectric low flow smoke detector housing. Order TC806DNR(CDN) detector separately.

**DNRW:** Watertight intelligent non-relay photoelectric low flow duct smoke detector housing. Order TC806B1076 detector separately. NEMA-4.



**TC806DNR(CDN):** Remote test capable addressable low-profile photoelectric smoke detector.

**TC806B1076(CDN):** Addressable low-profile photoelectric smoke detector.

**DCOIL:** Remote test coil. Required for older DNR(W) duct detector housing.

**DST1(A):** Metal sampling tube duct width up to 1 ft (0.3m).

**DST1.5(A):** Metal sampling tube duct widths up to 1 ft to 2 ft (0.3 to 0.6 m).

**DST3(A):** Metal sampling tube duct widths up to 2 ft to 4 ft (0.6 to 1.2 m).

**DST5(A):** Metal sampling tube duct widths up to 4 ft to 8 ft (1.2 to 2.4 m).

**DST10(A):** Metal sampling tube duct widths up to 8 ft to 12 ft (2.4 to 3.7 m).

**DH400OE-1:** Weatherproof enclosure.

**ETX:** Metal exhaust tube duct, width 1 ft (0.3 m).

**M02-04-00:** Test magnet.

**P48-21-00:** End cap for metal sampling tubes.

**RA100Z(A):** Remote annunciator alarm LED.

**RTS151(A):** Remote test station.

**RTS151KEY(A):** Remote test station with key lock.

### Important Note

- DNRW duct detector housings with a date code of 0013 or higher do not require a DCOIL or auxiliary 24 VDC for remote test applications when used with a remote test capable detector.
- DNRW duct detector housings with a date code of 0012 or earlier require a DCOIL and auxiliary 24 VDC power for remote test applications.

---

This document is not intended to be used for installation purposes. We try to keep our product information up-to-date and accurate. We cannot cover all specific applications or anticipate all requirements. All specifications are subject to change without notice. FlashScan® is a registered trademark of Honeywell International Inc. ©2012 by Honeywell International Inc. All rights reserved. Unauthorized use of this document is strictly prohibited.

### Automation and Control Solutions

Honeywell International Inc.  
1985 Douglas Drive North  
Golden Valley, MN 55422  
www.honeywell.com

Honeywell Limited-Honeywell Limitée  
35 Dynamic Drive  
Scarborough, Ontario M1V 4Z9

74-4076-4 Rev. 04-12  
April 2012  
Made in the U.S.A.  
© U.S. Registered Trademark  
© 2012 Honeywell International Inc.  
Page 2 of 2

**Honeywell**



74-4076-4

# TC811A1006, TC811A1014

## Fault Isolator Module

### General

The Honeywell TC811A Fault Isolator Module is used with Honeywell XLS series Fire Alarm Control Panels (FACPs) in CLIP or FlashScan® mode to protect the system against wire-to-wire short circuits.

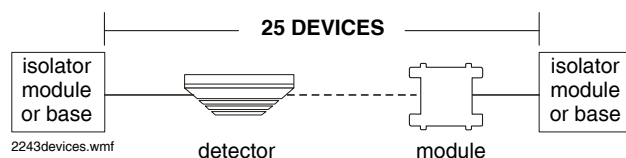
### Features

- Powered by SLC loop directly, no external power required.
- Base mounts on standard junction boxes (4.0"/10.16 cm square by 2.125"/5.398 cm deep).
- Integral LED blinks to indicate normal condition. Illuminates steady when short circuit condition is detected.
- High noise (EMF/RFI) immunity.
- Wide viewing angle of LED.
- SEMS screws with clamping plates for ease of wiring.
- Opens SLC loop automatically on detection of short, preventing the short from causing failure of the entire loop.
- Automatically resets on correction of short.
- Supports Style 4, 6, or 7 wiring.

### Applications

The Fault Isolator Modules should be spaced between groups of sensors in a loop to protect the rest of the loop. Use to isolate short circuit problems within a section of a loop so that other sections can continue to operate normally. The TC811A supports a maximum of 25 devices in-between isolators, except when using relay bases.

**NOTE: ON LOADS PER RELAY BASE AND ISOLATORS/ISOLATOR BASES:** the maximum number of addressable devices between isolators (or B224BI/14507371-005 isolator bases) is 25 devices.



/14507371-003 relay bases draw more current than all other intelligent devices. When calculating the 25-device maximum: represents 2.5 devices (see example on page 2).

**NOTE: ON MAXIMUM NUMBER OF DEVICES:** See the SLC Manual (Form Number 95-7675) for information on loss of addresses due to current limitations. Each module or base added reduces the capacity of address positions in an SLC. Requirements differ as applied to relay bases (see note above).

### Construction

The face plate is made of off-white plastic. Includes yellow LED indicator that pulses when normal and illuminates steady when a short is detected.

### Operation

Automatically opens circuit when the line voltage drops below four volts. Fault Isolator Modules should be spaced between groups of addressable devices (maximum 25, see notes on



TC811A

Tc811Acov.jpg

page 1) in a loop to protect the rest of the loop. If a short occurs between any two isolators, then both isolators immediately switch to an open circuit state and isolate the groups of sensors between them. The remaining units on the loop continue to fully operate.

In Style 4 loops, the TC811A is generally used at each T-tap branch, to limit the effect of short circuits on a branch to the devices on that branch. The LED indicator is on continuously during a short circuit condition.

The TC811A Fault Isolator Module automatically restores the shorted portion of the communications loop to normal condition when the short circuit condition is removed.

### Installation

- Mount on a standard junction box (4.0"/10.16 cm square) which is at least 2.125"/5.398 cm deep.
- Terminal screws are provided for "in and out" wiring.
- Installation instructions are provided with each module.
- Surface-mount box is available as an option.

### Specifications

**Normal operating voltage:** 15 – 32 VDC (peak).

**Standby current:** 450  $\mu$ A (not isolating) .

**Maximum current draw:** 17 mA (device in isolation, LED latched in alarm).

**Temperature range:** 32°F to 120°F (0°C to 49°C).

**Relative humidity:** 10% to 93% (non-condensing).

**Weight:** 5 oz. (150 grams).

**Dimensions:** 4.5"H x 4.5"W x 0.25" D (11.43 cm H x 11.43 cm W x 0.635 cm D).

### Agency Listings and Approvals

In some cases, certain modules may not be listed by certain approval agencies, or listing may be in process. Consult factory for latest listing status.

- **UL:** S470 (TC811A1006) .
- **ULC:** S7567 (TC811A1014).
- **FM Approved.**
- **CSFM:** 7300-1130:0115 (TC811A1006).

## Architectural/Engineering Specifications

Fault Isolator Modules shall be provided to automatically isolate wire-to-wire short circuits on an SLC loop. The Fault Isolator Module shall limit the number of modules or detectors that may be rendered inoperative by a short circuit fault on the SLC Loop. If a wire-to-wire short occurs, the Fault Isolator Module shall automatically open-circuit (disconnect) the SLC loop. When the short circuit condition is corrected, the Fault Isolator Module shall automatically reconnect the isolated section of the SLC loop. The Fault Isolator Module shall not require any address-setting, and its operations shall be totally automatic. It shall not be necessary to replace or reset an Fault Isolator Module after its normal operation. The Fault Isolator Module

shall mount in a standard 4.0" (10.16 cm) deep electrical box, in a surface-mounted backbox, or in the Fire Alarm Control Panel. It shall provide a single LED which shall flash to indicate that the Isolator is operational and shall illuminate steadily to indicate that a short circuit condition has been detected and isolated.

## Product Line Information

**TC811A1006:** Isolator Module.

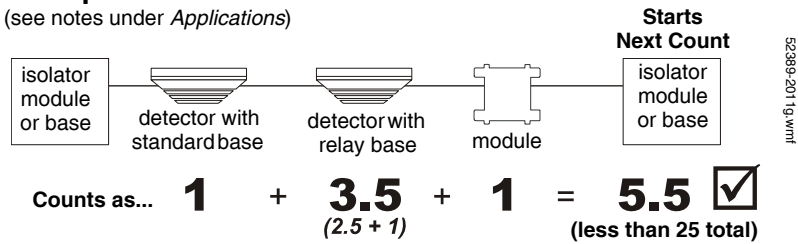
**TC811A1014:** Isolator Module. Canadian (ULC) version.

(NOTE: This Canadian model does not have a CDN suffix.)

**SMB500:** Surface Mount Backbox

## Examples of Device Counts

(see notes under *Applications*)



This document is not intended to be used for installation purposes. We try to keep our product information up-to-date and accurate. We cannot cover all specific applications or anticipate all requirements. All specifications are subject to change without notice.

©2012 by Honeywell International Inc. All rights reserved. Unauthorized use of this document is strictly prohibited.

## Automation and Control Solutions

Honeywell International Inc.  
1985 Douglas Drive North  
Golden Valley, MN 55422  
www.honeywell.com

Honeywell Limited-Honeywell Limitée  
35 Dynamic Drive  
Scarborough, Ontario M1V 4Z9

77-4555-2 Rev. 01-12  
January 2012  
Made in the U.S.A.  
© U.S. Registered Trademark  
© 2012 Honeywell International Inc.  
Page 2 of 2

**ISO 9001**  
CERTIFIED  
ENGINEERING & MANUFACTURING  
QUALITY SYSTEMS

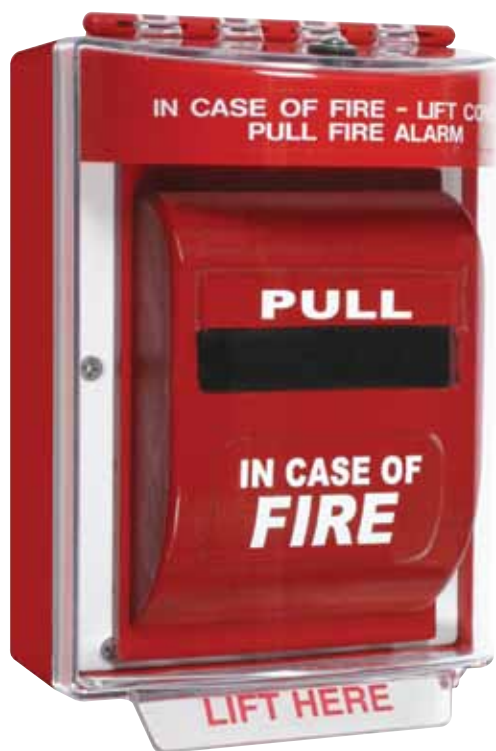


77-4555-2

# Honeywell

# STI Universal Stopper®

*Indoor/Outdoor*



Shown with waterproof backbox



## FEATURES

- Protects against vandalism, accidental damage, dust and grime and severe environments inside and outside.
- Protects pull stations, keypads, intercom stations, emergency buttons, electrical light switches or duplex plugs.
- Cover is molded from thick, super tough polycarbonate material.
- Flush frame, surface frame or waterproof backbox (with sealed or open internal mounting plate).
- Top and bottom of waterproof backbox are threaded for 3/4" NPT rigid conduit.
- Sized to fit most pull stations.
- High strength continuous hinge.
- Optional relay output with 12-24 VDC power input.
- Low profile - ADA Compliant.
- Gaskets included.
- Locking tab (not for use with fire pull stations).
- Models available with or without 105 dB horn.
- Available with red, green, blue, yellow, white or black label hood/horn housing with custom or no label.
- Available for red units "In Case of Fire..." label.
- UV-stabilized to keep cover clear.
- Typical working properties of polycarbonate are -40° to 250°F (-40° to 121°C).
- No charge for custom label.
- Three year guarantee against breakage of polycarbonate in normal use (one year on electro mechanical and electronic components).

## PRODUCT OVERVIEW

This indoor/outdoor polycarbonate cover protects devices such as dual action pull stations, keypads for entry systems, intercom stations, emergency buttons, electrical light switches, duplex plugs, etc., without restricting legitimate operation. The versatile cover offers excellent protection against physical damage (both accidental and intentional), dust and grime as well as severe environments inside and out.

The cover, with or without horn, is available in flush mount, surface mount or waterproof backbox models. It is low profile (less than 4 inches) and has the same footprint as the Mini Stopper® but accommodates most dual action pull stations.

# STI Universal Stopper®

Dimensions and Technical Information

## BUILD YOUR MODEL STI-13

### Mounting Options

- 0 = Flush Mount
- 2 = Surface Mount
- 4 = Enclosed Backbox & Sealed Mounting Plate\*\*
- 5 = Enclosed Backbox & Open Mounting Plate\*\*

\*\*all colors except NC

### Hood/Horn

- 0 = No Label Hood (Label must start with 'N' if Hood/Horn Option = 0, the label must be NC)
- 1 = Label Hood without Horn\*\*
- 2 = With Horn\*\*
- 3 = With Horn & Remote contact & power\*\*

\*\*all colors except NC

### Special Electronics

- 0 = None
- 1 = Heat (only available with Mounting Options 4 & 5)\*\*

\*\*Coming soon

### Housing/Horn Color & Label

Fire label	Free Custom label*
FR = Red – Fire label	CK = Black*
<b>No label</b>	CB = Blue*
NK = Black	CG = Green*
NB = Blue	CR = Red*
NC = Clear	CW = White*
NG = Green	CY = Yellow*
NR = Red	
NW = White	*must provide custom label wording (20 characters, 2 lines maximum)
NY = Yellow	

## APPROVAL & WARRANTY

### TESTING

It has been tested and approved or listed by:  
 · UL/cUL Listed No. S2466 (Type rating pending).

### Flush and Surface Mount Models

· IP Rating 56

### Backbox Models

· IP Rating 66

### WARRANTY

Three year guarantee against breakage of polycarbonate in normal use

## IMPORTANT NOTICE

When used on fire systems, Universal Stopper is intended for areas where the incidence of false fire alarms from manual pull stations is high or has proven to be a serious problem. Any disadvantage of the device is more than balanced when one considers the consequences of false fire alarms, especially if fire service personnel and equipment are responding to a false fire alarm when they are needed for a real fire somewhere else. Add to this the disruption to the facility when false alarms occur. If you have, or may have, a problem with false fire alarms or physical/weather damage to your fire alarm activation devices, the Universal Stopper could prove invaluable.

## MOUNTING OPTIONS



### Accessories

Part Number	Description	Flush	Surface	Enclosed Backbox
STI-1314	Universal Stopper Backplate	X	X	
STI-6602 ♦	Horn Assembly	X	X	X
SUB-319	Wiring harness for remote power	X	X	X
SUB-65	Breakaway Seal (qty. 5)	X	X	X
EA135	Service Pin	X	X	X

♦ Available in red, green, blue, yellow, white or black.



**Safety Technology International, Inc.**

2306 Airport Road  
 Waterford, Michigan  
 48327, USA

Tel: 248-673-9898  
 Fax: 248-673-1246  
 Tollfree: 800-888-4784  
 info@sti-usa.com  
 www.sti-usa.com

Unit 49G Pipers Road  
 Park Farm Industrial Estate  
 Redditch, Worcestershire  
 B98 0HU England

Tel: 44 (0) 1527 520 999  
 Fax: 44 (0) 1527 501 999  
 Free: 0800 085 1678 (UK)  
 www.sti-europe.com