



225 Franklin Street, Suite 1100  
Boston, MA 02110  
1617.478.0300  
1617.478.0321  
www.perkinswill.com

**CONSULTANTS**

**AKF GROUP LLC**  
99 Bedford St., 2nd Floor  
Boston, MA 02111  
1617.737.1111  
1617.737.4311

**PROJECT**

**ACCU RELOCATION**  
22 Bramhall Street  
Portland, Maine 04102



**MAINE MEDICAL CENTER**  
22 Bramhall Street  
Portland, Maine 04102

**ISSUED FOR CONSTRUCTION**

05/02/2016

**ISSUE CHART**

NO.	ISSUE	DATE
Job Number	B160089-000	
Checked	MR	
Approved	MR	

**TITLE**  
**ELECTRICAL PARTIAL POWER RISER AND SCHEDULES**  
**SHEET NUMBER**

**E-400**

**PANELBOARD SCHEDULES**

PANEL No.	LOCATION	MTG.	VOLTAGE, #, W	CIRCUIT BREAKERS														SPACES	TOTAL POLES	AIC	BUS SIZE	MAIN C.B.	NEUTRAL 200%	GND. BUS	ISO. GND. BUS	REMARKS	
				20/1	20/1 GH	20/2	20/3	30/1	30/2	30/3	40/3	50/3	60/3	70/3	100/3	OTHERS											
P211	RESEARCH AND REGISTRY #2 (1623)	SURF	208/120V, 1Ø, 3W	24	-	3	-	-	-	-	-	-	-	-	-	-	-	30	22K	125A	MLO	-	-	-	-	-	①
P212	FELLOWS #1 (16159)	SURF	208/120V, 1Ø, 3W	28	-	1	-	-	-	-	-	-	-	-	-	-	-	30	22K	125A	MLO	-	-	-	-	-	①
P213	OPEN WORK AREA (16162)	SURF	208/120V, 1Ø, 3W	24	-	3	-	-	-	-	-	-	-	-	-	-	-	30	22K	125A	MLO	-	-	-	-	-	①

**PANEL SCHEDULE NOTES:**

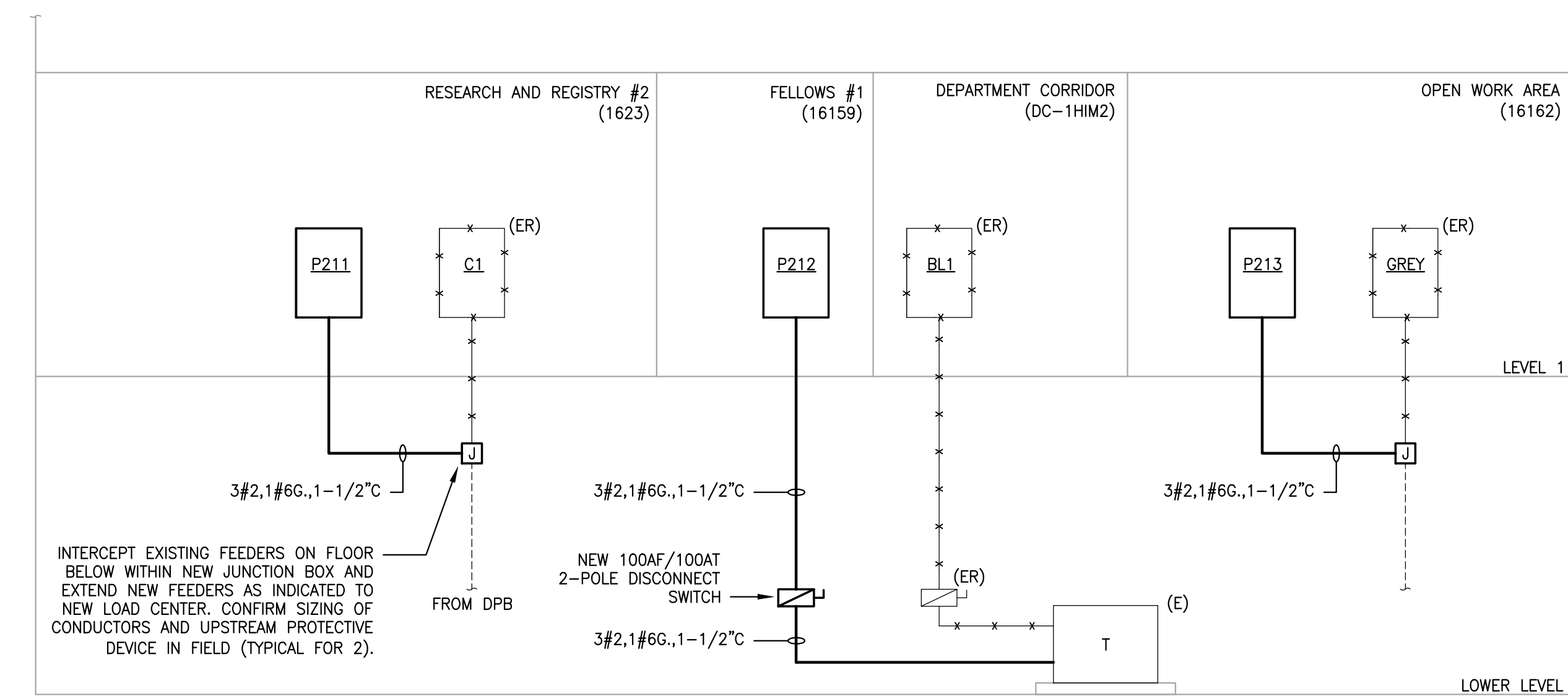
- PROVIDE AND INSTALL NEW PANELBOARD "P211", "P212" AND "P213" WITH REQUIRED CIRCUIT BREAKERS AS SHOWN ON PANELBOARD SCHEDULES. NEW PANELBOARD MANUFACTURER SHALL MATCH EXISTING EQUIPMENT.

**LIGHTING FIXTURE SCHEDULE**

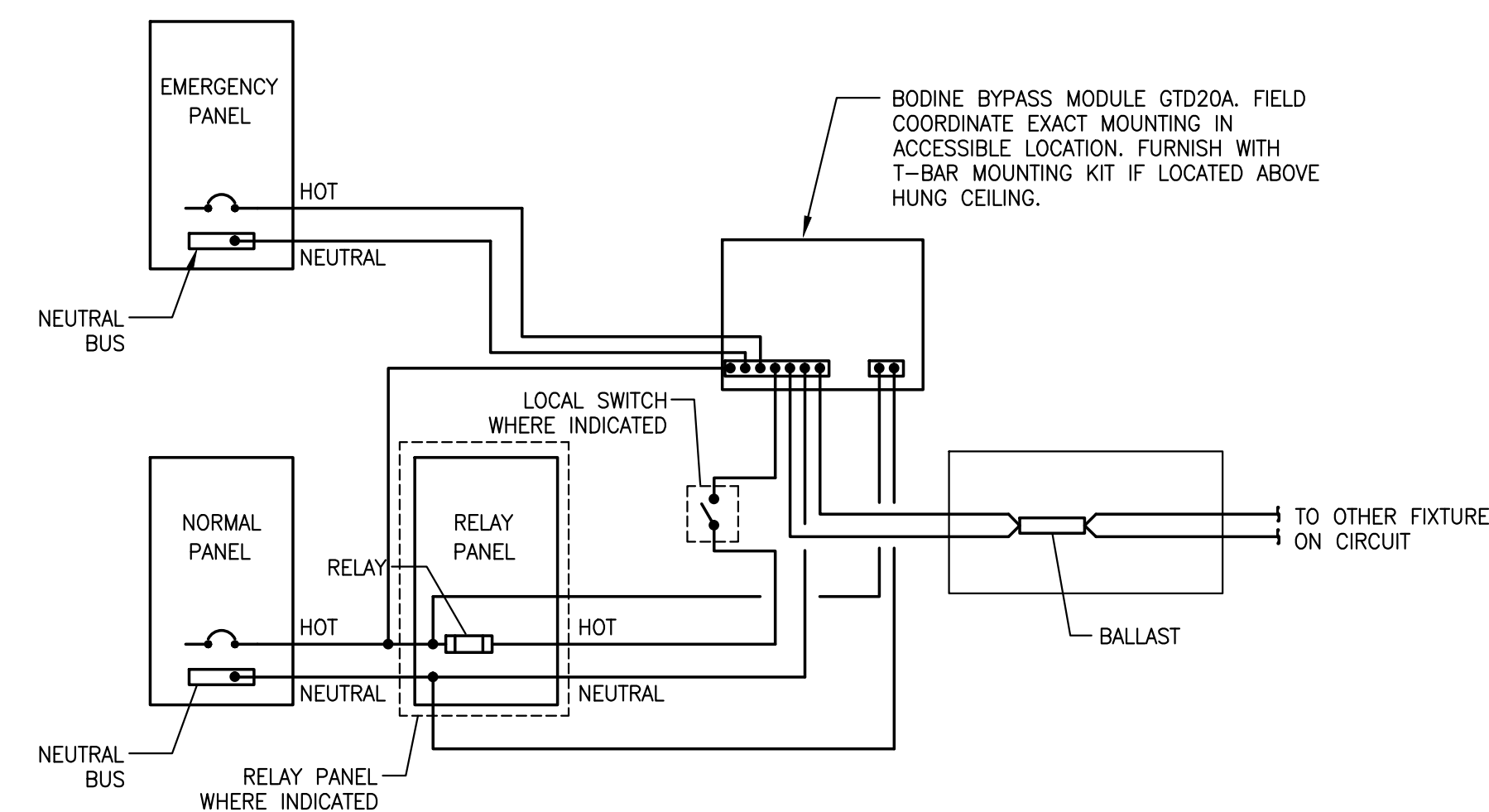
FIXT. TYPE	DESCRIPTION	LAMPS		BALLAST		VOLTAGE	MANUFACTURER	CATALOG NUMBER	REMARKS
		NO.	WATTS	TYPE	NO.				
L1	2-1/4" X 2-1/4" W X 48" L RECESSED LED WALL WASHER	-	-	LED 3500K	-	DRIVER	UNV	ARCHITECTURAL LIGHTING WORKS	12 (5@8'/2@6') 6' are wall washer 8 Dimmers (2@3Way)
L2	3-1/2" X 3-1/2" W X 72" L CABLE MOUNT WALL WASHER	-	-	3500K	-	DRIVER	UNV	ARCHITECTURAL LIGHTING WORKS	5 (1@12' / 2@4') OR LIGHTPLANE 1 ROUND (RLP1)
L3	3-1/2" X 3-1/2" W X 96" L CABLE MOUNT WALL WASHER	-	-	3500K	-	DRIVER	UNV	ARCHITECTURAL LIGHTING WORKS	9 (8@8'/1@4') OR LIGHTPLANE 1 ROUND (RLP1) 4 Dimmers
L4	1-3/16" H X 1 7/8" W X 8' L CABLE MOUNT LINEAR LED	-	-	LED 3500K	-	DRIVER	UNV	ARCHITECTURAL LIGHTING WORKS	5 (3@6'/2@8') 4 Dimmers (4@3Way)
L5	T-BAR MOUNTED LINEAR LED LIGHT FIXTURE	-	-	3500K	-	DRIVER	UNV	JLC TECH	1"X1"X2' LENGTH: DIFFUSING LENSE - 30' 1"X1"X4' LENGTH: CUT OFF REFLECTOR - 94'
L6	LED WALL GRAZER	-	-	-	-	DRIVER	UNV	TBD	2@18' EDUCATIONAL CONFERENCE ROOM
L7	LED TASK LIGHT	-	-	3500K	-	DRIVER	UNV	PHILIPS	1 (1@6') 1 Dimmer
P-1	DOWNLIGHT 3" OD X 15" L LED CABLE MOUNT PENDANT	-	-	LED 3500K SATIN NICKLE	-	DRIVER	-	USA LIGHTING	21 1/4" OD BRADED CABLE FOR FIELD CUTTING
P-2	DECORATIVE PENDANT	-	-	3500K	-	DRIVER	-	TBD	1
P-3	DECORATIVE PENDANT	-	-	LED 3500K	-	DRIVER	120	TECH LIGHTING	BLACK FINISH WITH BLUE CORD 12
R1	2.5" X 2.5" LED DOWNLIGHT	-	-	-	-	DRIVER	-	FOCAL POINT	12 3 on CR
EXIT SIGN	EXIT SIGN	-	-	-	-	-	-	-	8
OS	DUAL TECHNOLOGY LOW VOLTAGE CEILING MOUNTED OCCUPANCY SENSOR WITH HVAC RELAY.	-	-	-	-	-	-	LEVITON	OSC10-RMW 15 10 Powerpacks
OSH	DUAL TECHNOLOGY WALL MOUNTED OCCUPANCY SENSOR WITH INTEGRAL ON/OFF SWITCH COMPLETE WITH COVER PLATE ASSEMBLY. SENSOR SWITCH	-	-	-	-	-	-	LEVITON	OSSMT 1
OSH	DUAL TECHNOLOGY WALL MOUNTED OCCUPANCY SENSOR WITH INTEGRAL 2-BUTTON ON/OFF SWITCH COMPLETE WITH COVER PLATE ASSEMBLY. SENSOR SWITCH	-	-	-	-	-	-	LEVITON	OSSMD 2

**LIGHTING FIXTURE SCHEDULE NOTES:**

- COORDINATE ALL FIXTURE FINISH COLORS WITH ARCHITECT PRIOR TO BID.
- COORDINATE COLOR AND TEMPERATURE OF ALL LAMPS WITH ARCHITECT.
- CONTRACTOR SHALL COORDINATE AND PROVIDE FIXTURE LENGTHS WITH APPROVED MILLWORK SHOP DRAWINGS FOR A COMPLETE LINEAR INSTALLATION. PROVIDE ALL CONNECTIONS, JUMPERS, LEADER CABLES, WIRING COMPARTMENTS, TERMINATIONS AND MOUNTING BRACKETS FOR A COMPLETE AND OPERATING SYSTEM.
- PROVIDE MOUNTING ARRANGEMENTS, NUMBER OF FACES, AND DIRECTIONAL ARROWS AS INDICATED ON FLOOR PLANS.



**1 MAINE GENERAL BUILDING PARTIAL POWER RISER DIAGRAM**  
SCALE: NONE



**2 TYPICAL EMERGENCY LIGHTING BYPASS RELAY CONTROL DETAIL**