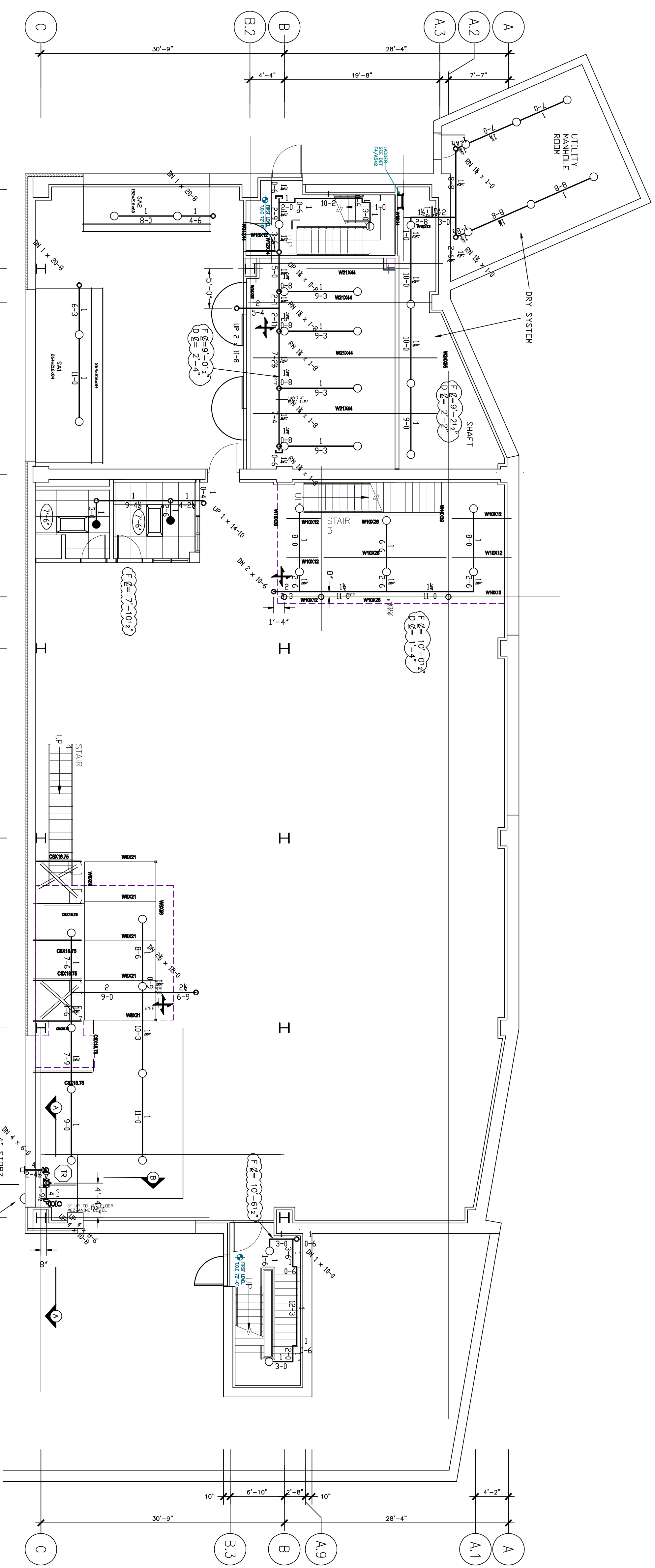
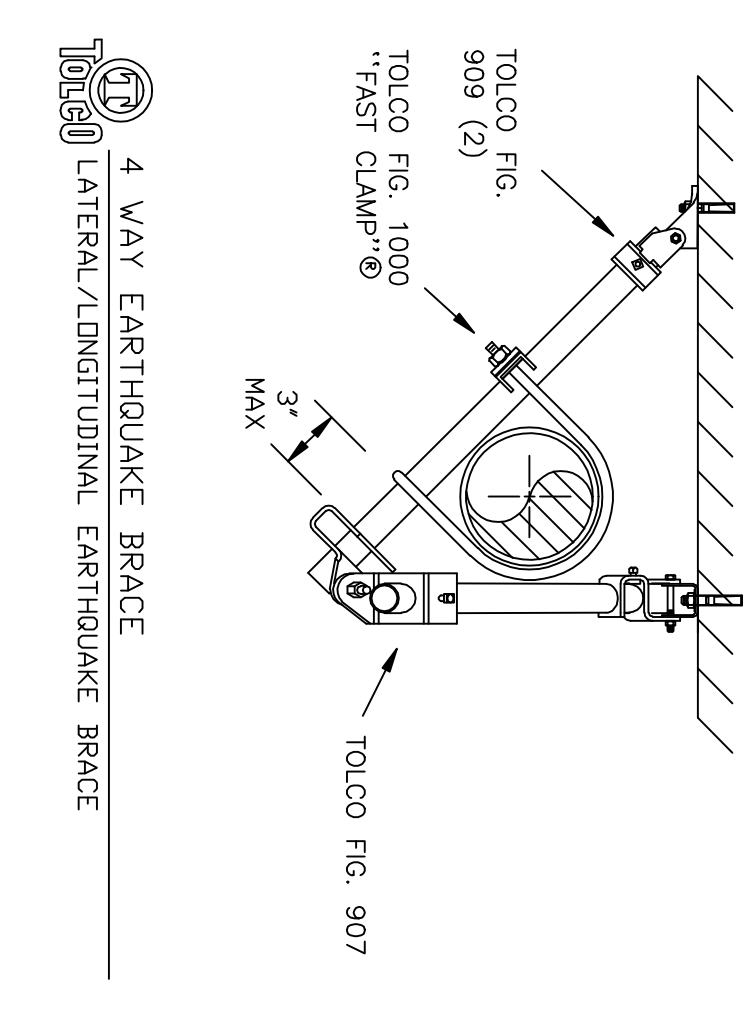
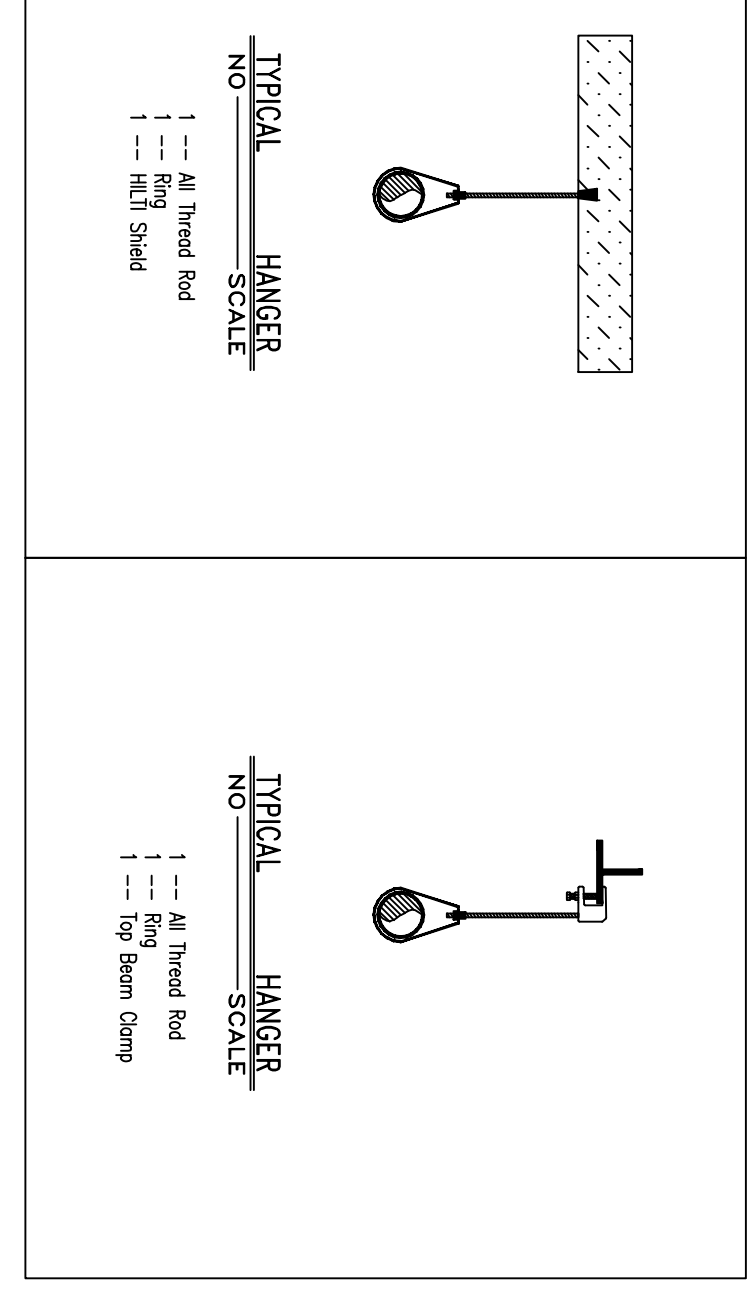


FITTER NOTE
DIMENSIONS SHOWN ON THE ABOVE PIPE ARE CENTER TO CENTER U/V.
DIMENSIONS SHOWN ON GRID/VEE PIPE ARE CUT-LENGTHS U/V.

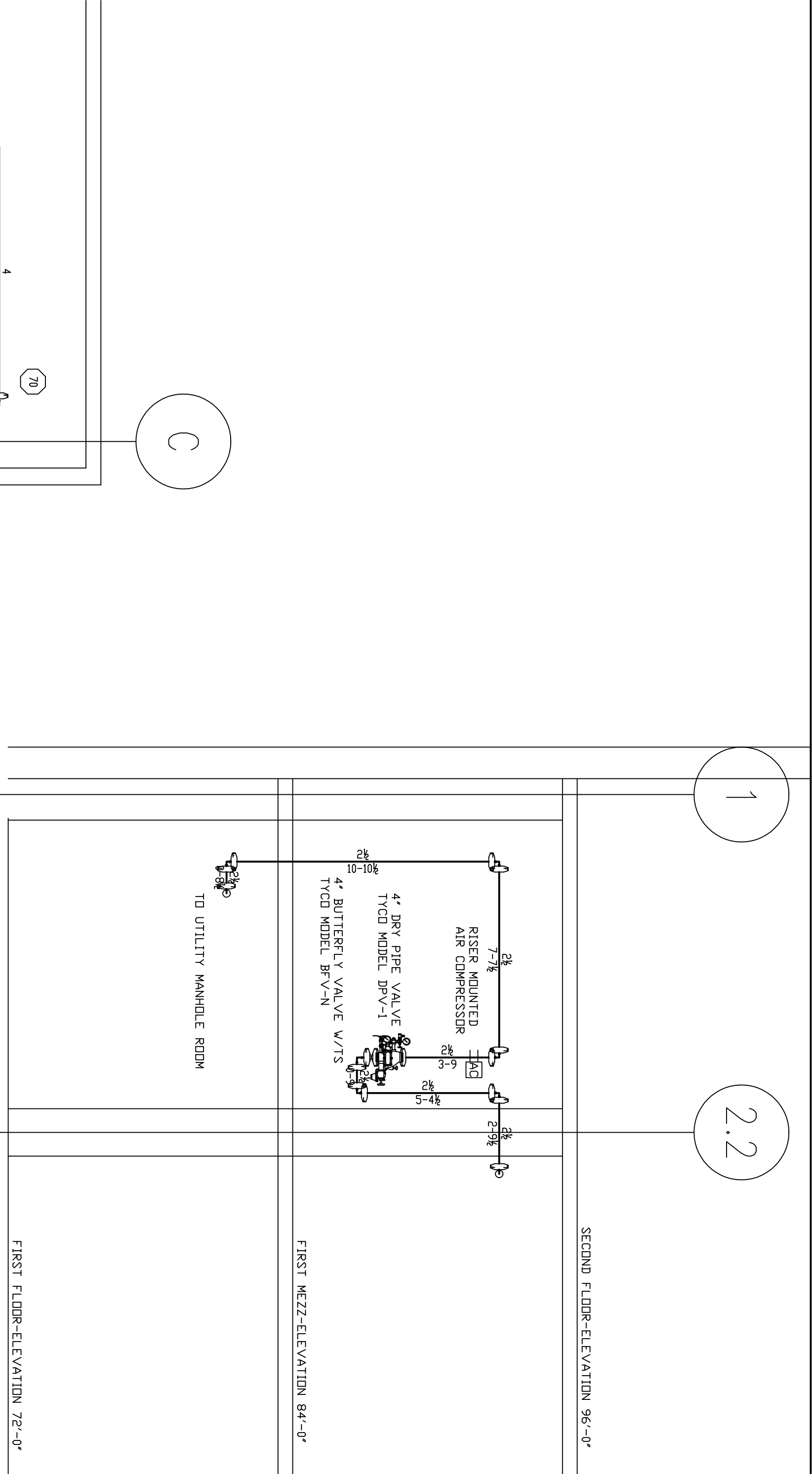
- ① T100 SERIES, T-Y-B BRASS UPRIGHT STANDARD RESPONSE STANDARD COVERAGE K=5.6, 1/2" NPT, SIN 3151
- ② T100 SERIES, T-Y-B BRASS UPRIGHT STANDARD RESPONSE STANDARD COVERAGE K=5.6, 1/2" NPT, SIN 3151
- ③ T100 SERIES, T-Y-B BRASS UPRIGHT STANDARD RESPONSE STANDARD COVERAGE K=5.6, 1/2" NPT, SIN 3151
- ④ T100 SERIES, T-Y-B BRASS UPRIGHT STANDARD RESPONSE STANDARD COVERAGE K=5.6, 1/2" NPT, SIN 3151
- ⑤ T100 SERIES, T-Y-B BRASS UPRIGHT STANDARD RESPONSE STANDARD COVERAGE K=5.6, 1/2" NPT, SIN 3151
- ⑥ T100 SERIES, T-Y-B BRASS UPRIGHT STANDARD RESPONSE STANDARD COVERAGE K=5.6, 1/2" NPT, SIN 3151
- ⑦ T100 SERIES, T-Y-B BRASS UPRIGHT STANDARD RESPONSE STANDARD COVERAGE K=5.6, 1/2" NPT, SIN 3151



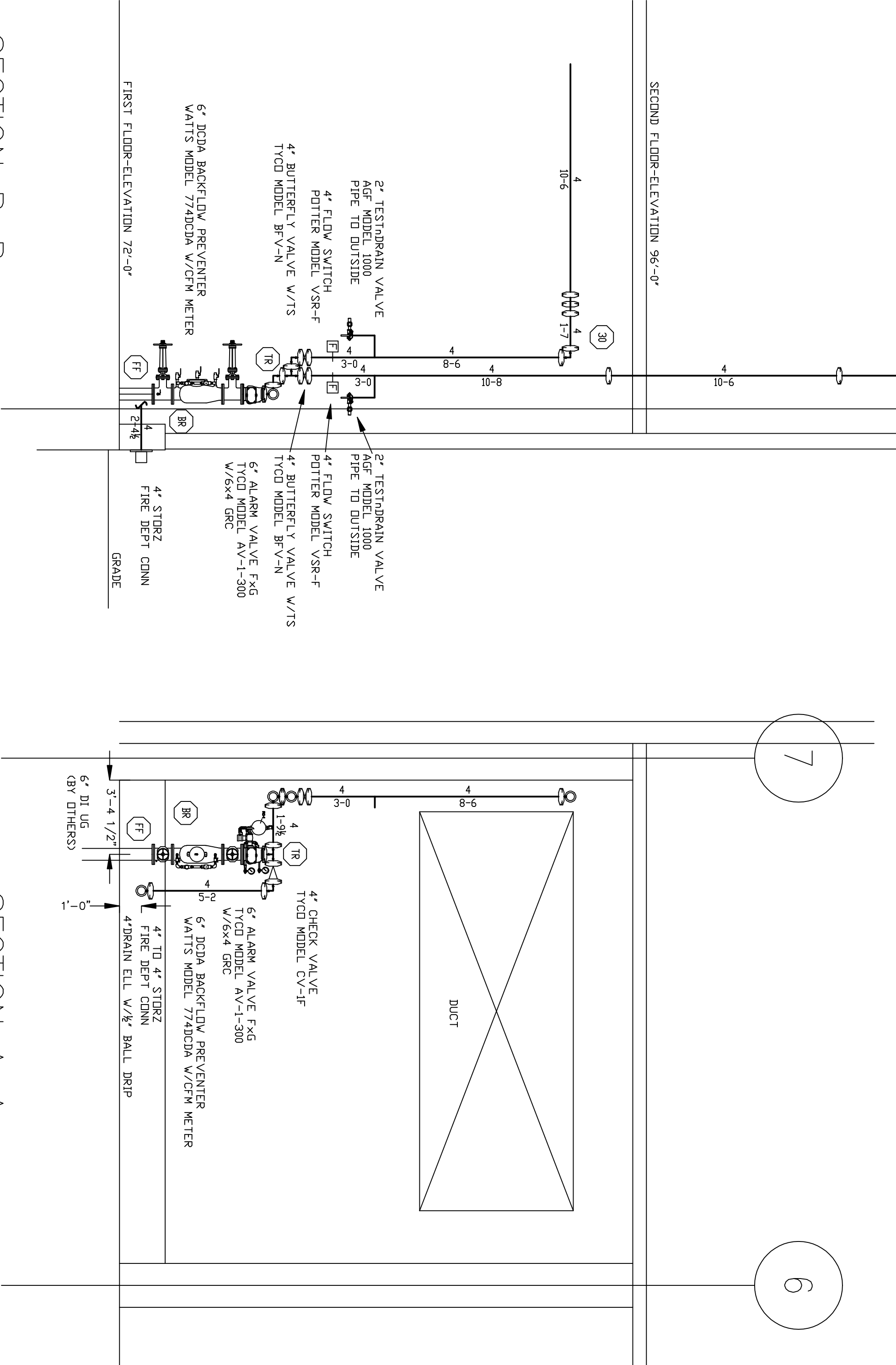
HANGER LEGEND:



GENERAL NOTES:
ALL THREADED PIPE IS TO BE SCH 40 BLACK STEEL U/V.
ALL THREADED PIPE FITTINGS ARE TO BE BLACK CAST IRON CLASS 125 U/V.
DIMENSIONS SHOWN ON THREADED PIPE ARE CENTER TO CENTER U/V.
PENDENT SPRINKLERS IN ACUSTIC TILE CEILING ARE NOT LICAED IN THE CENTER OF CEILING TILE MODULES. THE WET SPRINKLER SYSTEM IS REQUIRED TO BE FURNISHED BY THE BUYER/OWNER.



SECTION C-C
SCALE: 1/4"=1'-0"



SECTION B-B
SCALE: 1/4"=1'-0"

SECTION A-A
SCALE: 1/4"=1'-0"

- LEGEND:
- UPRIGHT SPRINKLER ON A BRANCH LINE
 - ⊙ CONCEALED HORIZONTAL SPRINKLER ON A 1" DROP
 - RECESSED HORIZONTAL SIDEWALL SPRINKLER
 - RISE OR DROP
 - GROUND DOUBLE
 - HYDRAULIC REFERENCE POINT
 - HANGER HANGING FROM TO PIPE CENTERLINE
 - MEZZANINE FLOOR TO PIPE CENTERLINE
 - X-X' BOTTOM OF BEAM TO PIPE CENTERLINE
 - X-X' CEILING TO PIPE CENTERLINE
 - X-X' METAL DECK TO PIPE CENTERLINE
 - 4-WAY SWAY BRACE

NO.	DESCRIPTION	DATE	BY	CHKD BY	APP'D BY
1	SUBMIT FOR APPROVAL	02/07/07	DAN A. STEWART	DAN A. STEWART	DAN A. STEWART
2	REVISIONS				

NO.	DESCRIPTION	DATE	BY	CHKD BY	APP'D BY
1	SCALE 1/8"=1'-0" U/V	02/07/07	DAN A. STEWART	DAN A. STEWART	DAN A. STEWART
2	SCALE 1/4"=1'-0" U/V	02/07/07	DAN A. STEWART	DAN A. STEWART	DAN A. STEWART

DEAN & ALLYN, INC.
FIRE PROTECTION • SPECIAL HAZARD
PO BOX 709, GRAY, MAINE 04039
(207)657-5666 FAX:(207)657-5647

DRAWING: CENTRAL UTILITY PLANT - 1ST FLOOR
JOB: MAINE MEDICAL CENTER
22 BRAMHALL STREET
PORTLAND, MAINE 04101
CONTRACT WITH WILLIAM A. BERRY & SON, INC.
99 CUNFER HILL DRIVE, DANVERS, MASSACHUSETTS 01923