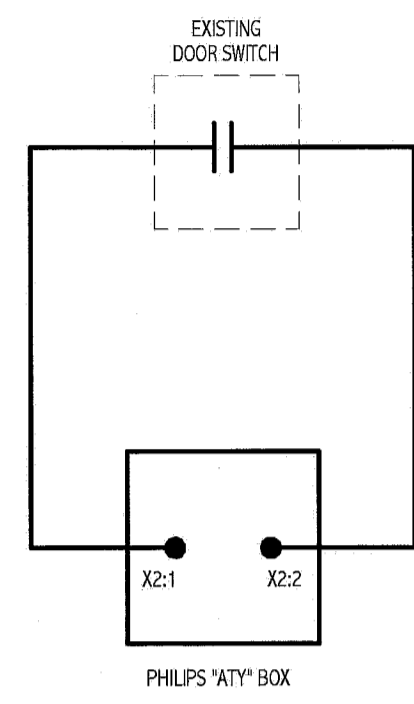
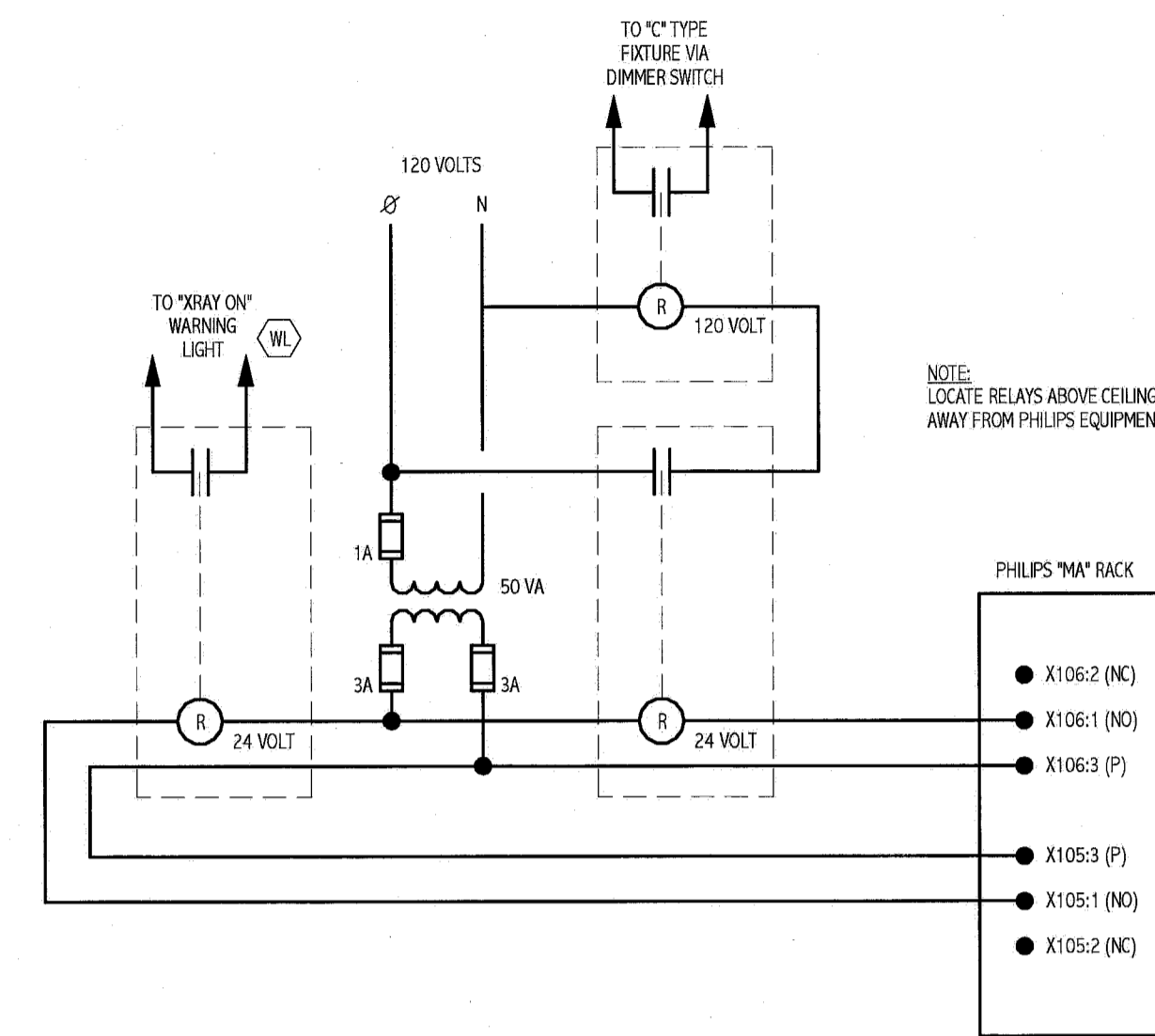


LIGHT FIXTURE SCHEDULE					
TYPE	DESCRIPTION	MFR.	LAMPS	MOUNTING	NOTES
A	2x4 ZERO PLENUM TROFFER WITH FLUSH CURVED BAFFLE 277V	COLUMBIA ZPT SERIES	2-54W TSHO 3500K	CEILING RECESSED	UNIVERSAL VOLTAGE BALLAST
B	2x2 ZERO PLENUM TROFFER WITH FLUSH CURVED BAFFLE 277V	COLUMBIA ZPT SERIES	2-24W TSHO 3500K	CEILING RECESSED	UNIVERSAL VOLTAGE BALLAST
C	8" VERTICAL INCANDESCENT DOWNLIGHT WITH TEMPERED GLASS LENS 120V	PRESOLITE INC800 SERIES	150W A23	CEILING RECESSED	
D	6" HORIZONTAL, CLEAR LENS, WALL WASH, & VIRTUAL BAFFLE 277V	PRESOLITE CFGB6 SERIES	1-26W T8 QUAD TUBE	CEILING RECESSED	WALL WASH WITH CLEAR LENS
E	2'x4' SPECIFICATION GRADE STATIC TROFFER WITH A12 ACRYLIC LENS 277V	COLUMBIA 4FS SERIES	3-32W T8 3500K	CEILING RECESSED	PROVIDE WITH DIMMING BALLAST
F	28" LED UNDERCABINET TASK LIGHTING WITH ACRYLIC TEXTURED LENS 277V	ALICO LINC'S SERIES LINC'S 100-L28-WHG	9-1W LED 3400K	SURFACE UNDERCABINET	
G	2x4 ZERO PLENUM TROFFER WITH FLUSH CURVED BAFFLE 277V	COLUMBIA ZPT SERIES	2-54W TSHO 3500K	CEILING RECESSED	PROVIDE WITH DIMMING BALLAST



DOOR SWITCH
CONTROL DIAGRAM



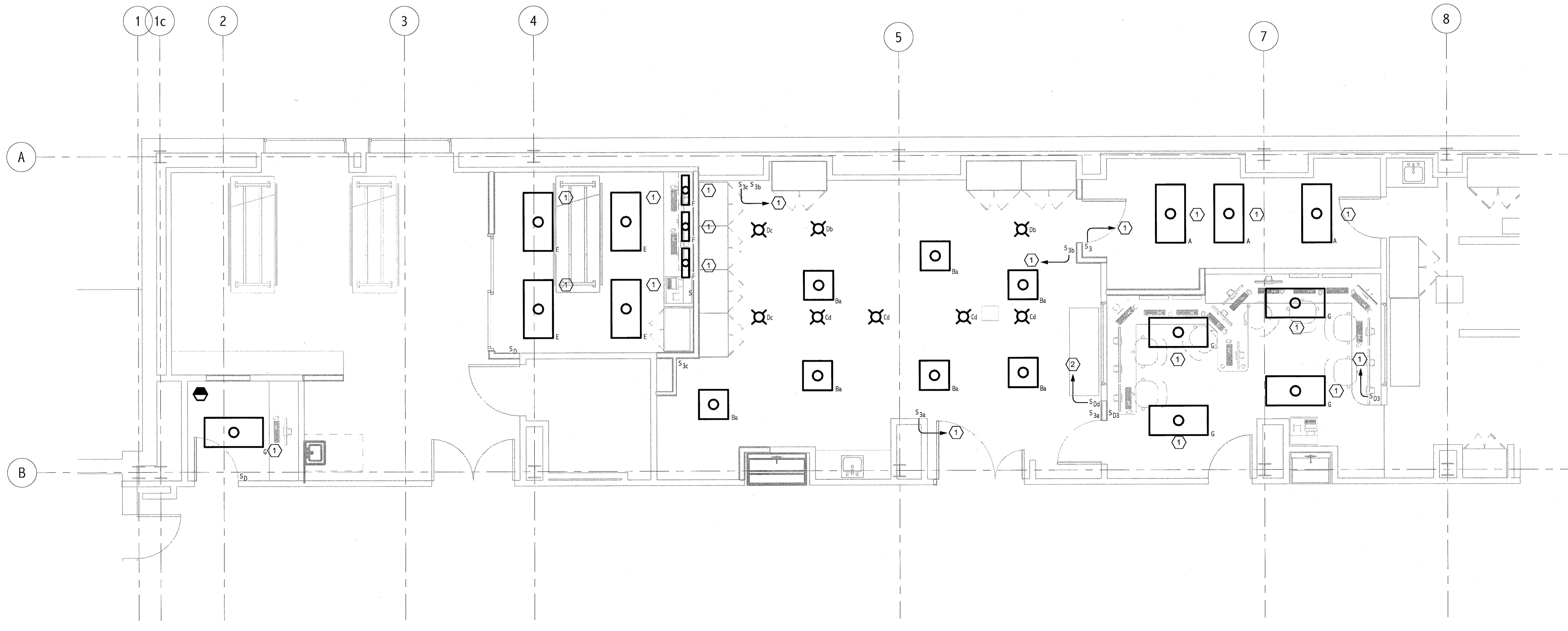
LIGHTING
CONTROL DIAGRAM

NOTE:

1. SEE SHEET E-001 FOR LEGEND AND GENERAL NOTES.

KEYED NOTE:

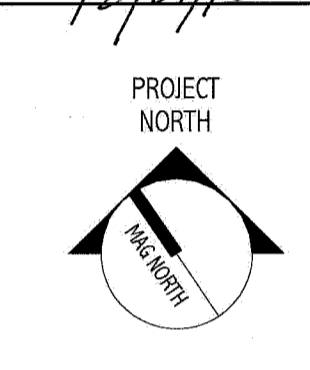
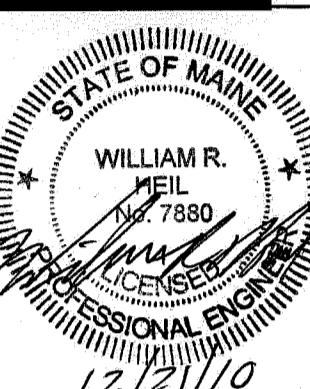
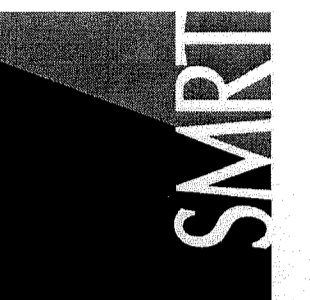
- ① CONNECT TO EXISTING 277V LIGHT CIRCUIT.
- ② CONNECT TO EXISTING 120V LIGHT CIRCUIT, VIA CONTROL RELAY.



① CATH LAB#6 LIGHTING PLAN
1/4" = 1'-0"

144 Fox Street, Box 618
Portland, Maine, 04104
Tel: (207) 772-8846
Fax: (207) 772-1070
www.smrtinc.com

ARCHITECTURE
ENGINEERING
PLANNING
INTERIOR DESIGN
COMMISSIONING



MAINE MEDICAL CENTER
CATH LAB #6
PORTLAND, ME

ISSUED FOR CONSTRUCTION
12-21-10

CURRENT ISSUE STATUS:

REV	DESCRIPTION	DATE
0	ISSUED FOR CONSTRUCTION	12-21-10

GRAPHIC SCALE:
0' 1'

SCALE: As Indicated

PROJECT MANAGER: MD

DRAWN BY: CDS

A/E OF RECORD: WRH

PROJECT NO.: 10112-00

DATE: 12-21-10

SHEET TITLE:
CATH LAB#6
LIGHTING PLAN

SHEET No. EL101