

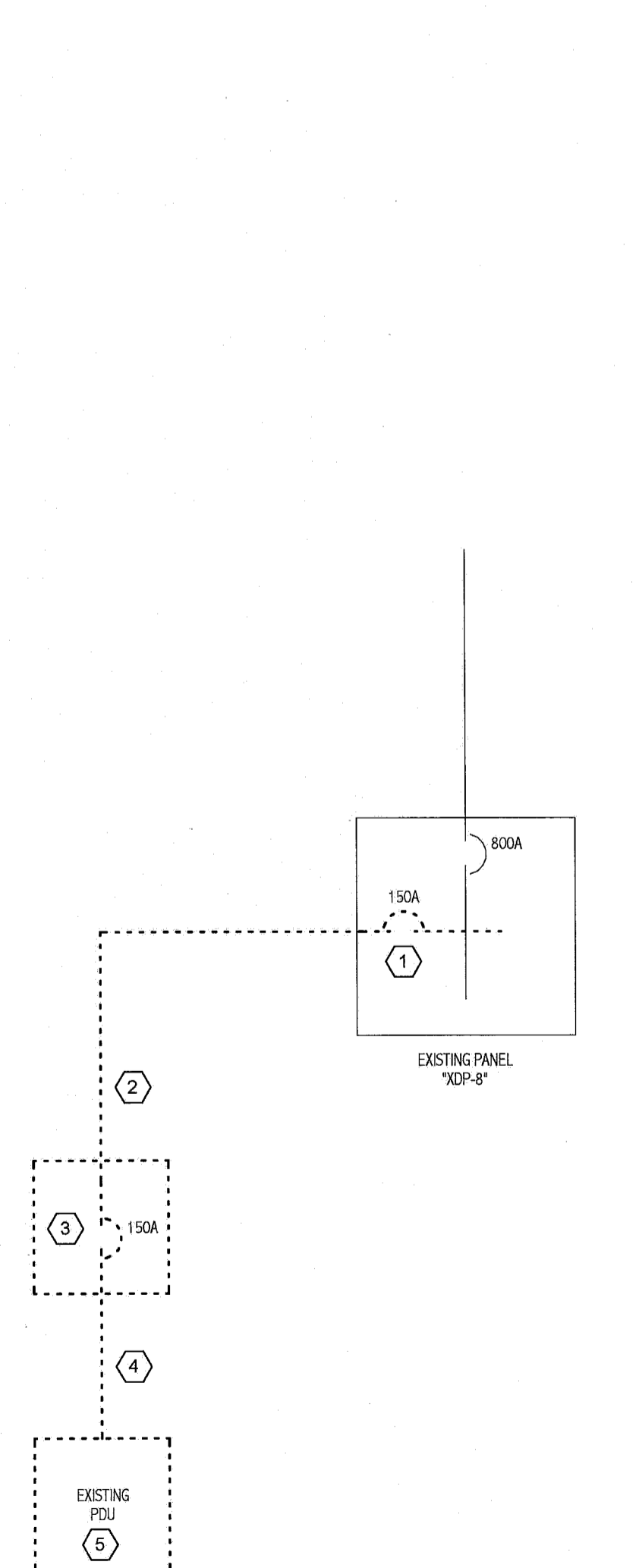
**NOTE:**

1. SEE SHEET E-001 FOR LEGEND AND GENERAL NOTES.

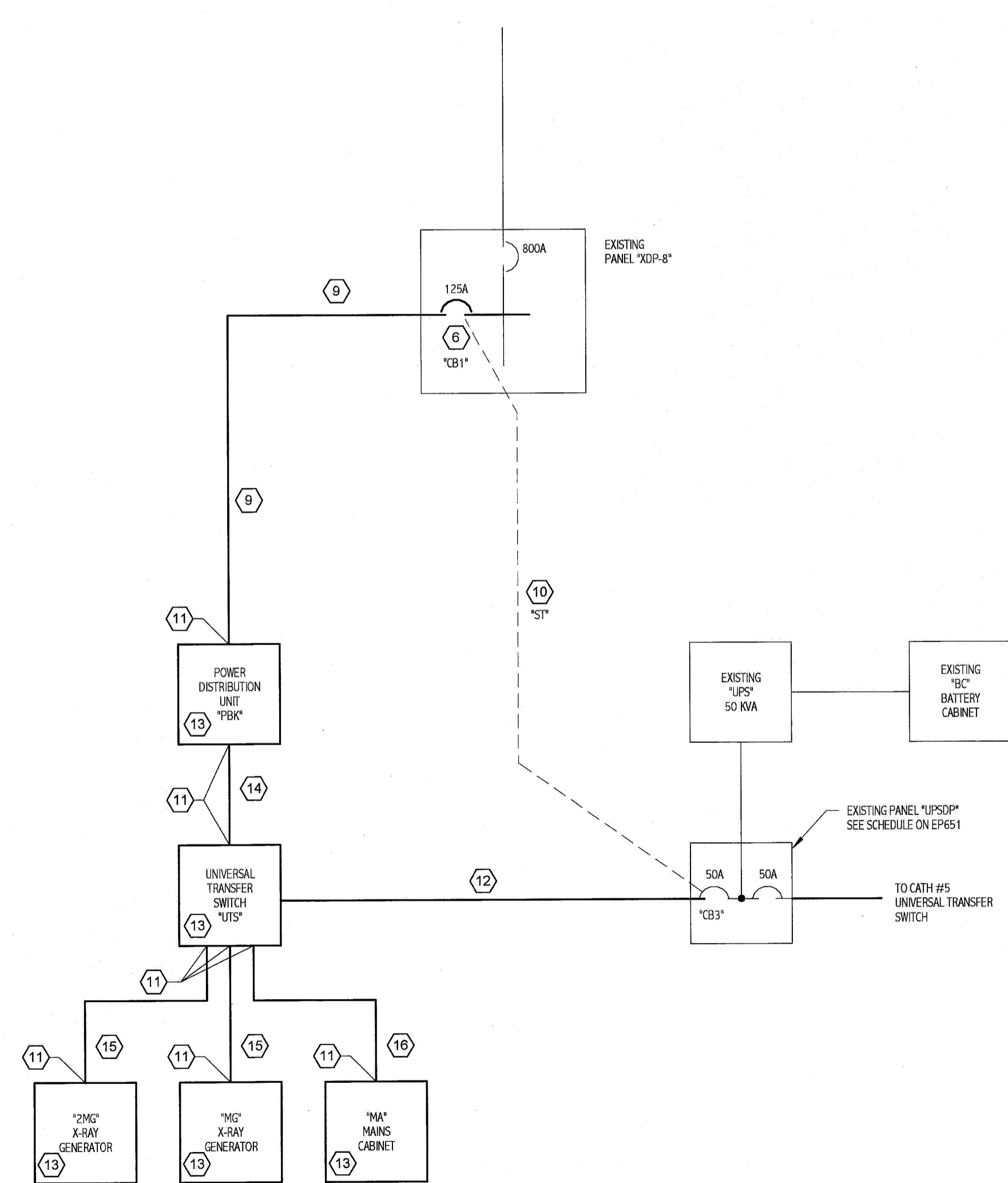
**KEYED NOTES:**

- 1 REMOVE EXISTING BREAKER(S) SERVING CATH LAB #6.
- 2 REMOVE FEEDER BETWEEN PANEL XDP AND 150A SHUNT TRIP BREAKER.
- 3 REMOVE EXISTING 150A SHUNT TRIP BREAKERS IN CATH LAB 6 ROOM.
- 4 REMOVE FEEDER BETWEEN BREAKER AND EXISTING CATH LAB 6 "P.D.I.L.S."
- 5 PDU AND CATH LAB 6 MEDICAL EQUIPMENT REMOVED BY OTHERS.
- 6 PROVIDE ONE 125 AMP, 3 POLE CIRCUIT BREAKERS WITH SHUNT TRIP. COORDINATE SHUNT TRIP VOLTAGE AS REQUIRED.
- 7 NOT USED.
- 8 NOT USED.
- 9 NEW FEEDER (3#3/0 6#1 GND, 1 1/2")
- 10 2#14, 1/2" C FOR SHUNT TRIP OPERATION. VIA EXISTING "EMERGENCY OFF" BUTTONS IN CATH LAB 5 AND CONTROL ROOM. PROVIDE POWER FOR SHUNT TRIP AS REQUIRED.
- 11 PROVIDE 8" TAIL OF CONDUCTORS AT EACH EQUIPMENT CONNECTION. COORDINATE FINAL CONNECTIONS WITH PHILIPS.
- 12 NEW FEEDER (4#6 4#8 GND, 1")
- 13 EQUIPMENT FURNISHED BY PHIPPS.
- 14 NEW FEEDER (4#1 4#6 GND, 1 1/2")
- 15 NEW FEEDER AND CONTROLS (3#10, 3/4" C AND 3#10, 3/4" C)
- 16 NEW FEEDER AND CONTROLS (3#10, 3/4" C AND 6#14, 3/4" C).

DIRECTORY	KVA LOAD			CIR. NO.	BKG. AMPS	A B C	BKG. AMPS	CIR. NO.	KVA LOAD			DIRECTORY		
	A	B	C						A	B	C			
CATH LAB 5 VIA UTS	*	*	*	1	50	•	•	2	*	*	*	CATH LAB 6 VIA UTS		
SPACE	*	*	*	3		•	•	4	*	*	*	SPACE		
SPACE	*	*	*	5		•	•	6	*	*	*	SPACE		
SPACE	*	*	*	7		•	•	8	*	*	*	SPACE		
SPACE	*	*	*	9		•	•	10	*	*	*	SPACE		
SPACE	*	*	*	11		•	•	12	*	*	*	SPACE		
SPACE	*	*	*	13		•	•	14	*	*	*	SPACE		
SPACE	*	*	*	15		•	•	16	*	*	*	SPACE		
SPACE	*	*	*	17		•	•	18	*	*	*	SPACE		
SPACE	*	*	*	19		•	•	20	*	*	*	SPACE		
SPACE	*	*	*	21		•	•	22	*	*	*	SPACE		
SPACE	*	*	*	23		•	•	24	*	*	*	SPACE		
SPACE	*	*	*	25		•	•	26	*	*	*	SPACE		
SPACE	*	*	*	27		•	•	28	*	*	*	SPACE		
SPACE	*	*	*	29		•	•	30	*	*	*	SPACE		
SUB-TOTAL			*	NEUTRAL BUS			SUB-TOTAL			SUB-TOTAL				
VOLTAGE:			480Y/277V	3 PHASE			4 WIRE			125 AMP BUS				
MAIN BREAKER						125 AMP TRIP			TOTAL KVA A			PANEL NO.		
MOUNTING:			SURFACE						TOTAL KVA B			LOCATION		
SC RATING:			10,000 AC						TOTAL KVA C			UPS12		
NOTES:			EXISTING PANEL WITH EXISTING BRANCH BREAKERS.						TOTAL KVA					



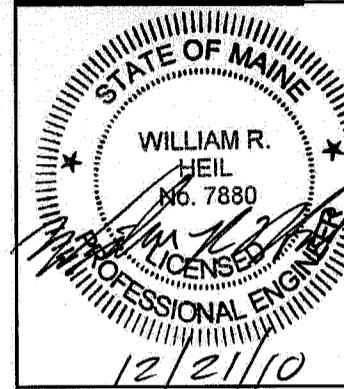
DEMOLITION PARTIAL ONE-LINE DIAGRAM



NEW WORK PARTIAL ONE-LINE DIAGRAM

144 For Sheet P.C. See 613  
Portland, Maine 04109  
Tel: (207) 772-3846  
Fax: (207) 772-1070  
www.smrtinc.com

ARCHITECTURE  
ENGINEERING  
PLANNING  
INTERIOR DESIGN  
COMMISSIONING



12/21/10

MAINE MEDICAL CENTER  
CATH LAB #6  
PORTLAND, ME

ISSUED FOR CONSTRUCTION  
12-21-10

CURRENT ISSUE STATUS

REV	DESCRIPTION	DATE
0	ISSUED FOR CONSTRUCTION	12-21-10

GRAPHIC SCALE:  
0" 1"

SCALE: NONE  
PROJECT MANAGER: MD  
X-CHECKED BY: CDS  
DATE OF RECORD: WRH  
PROJECT NO: 10112-00  
DATE: 12-21-10

SHEET TITLE:  
PARTIAL ONE-LINE  
DIAGRAMS

SHEET No.  
EP651