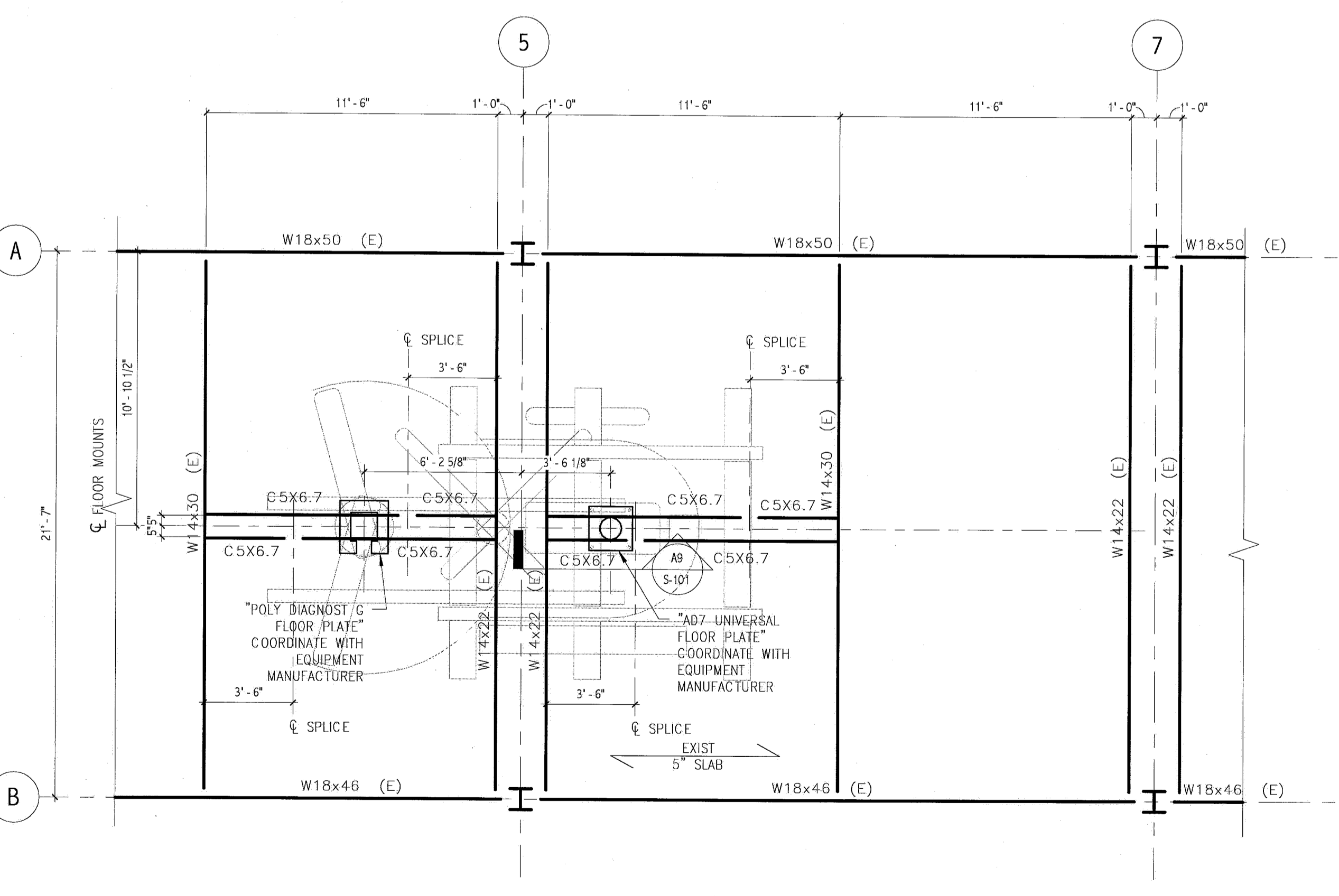
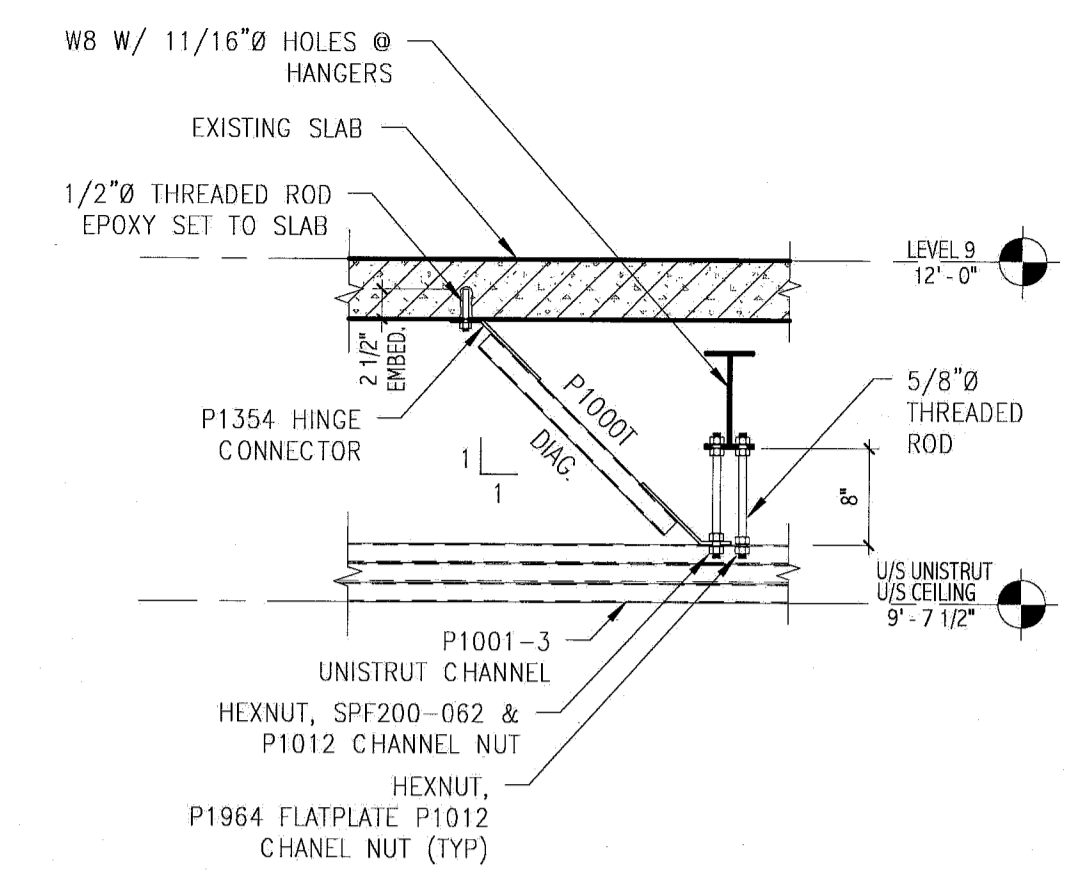


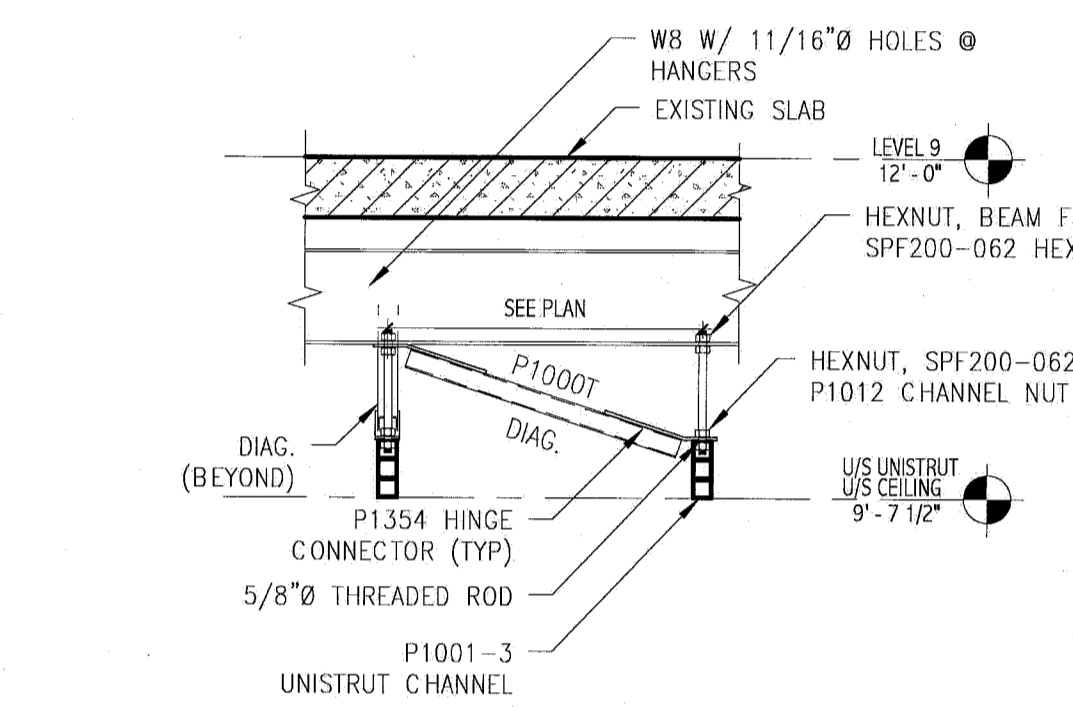
G1 PARTIAL LEVEL 9 FRAMING PLAN
1/4" = 1'-0"



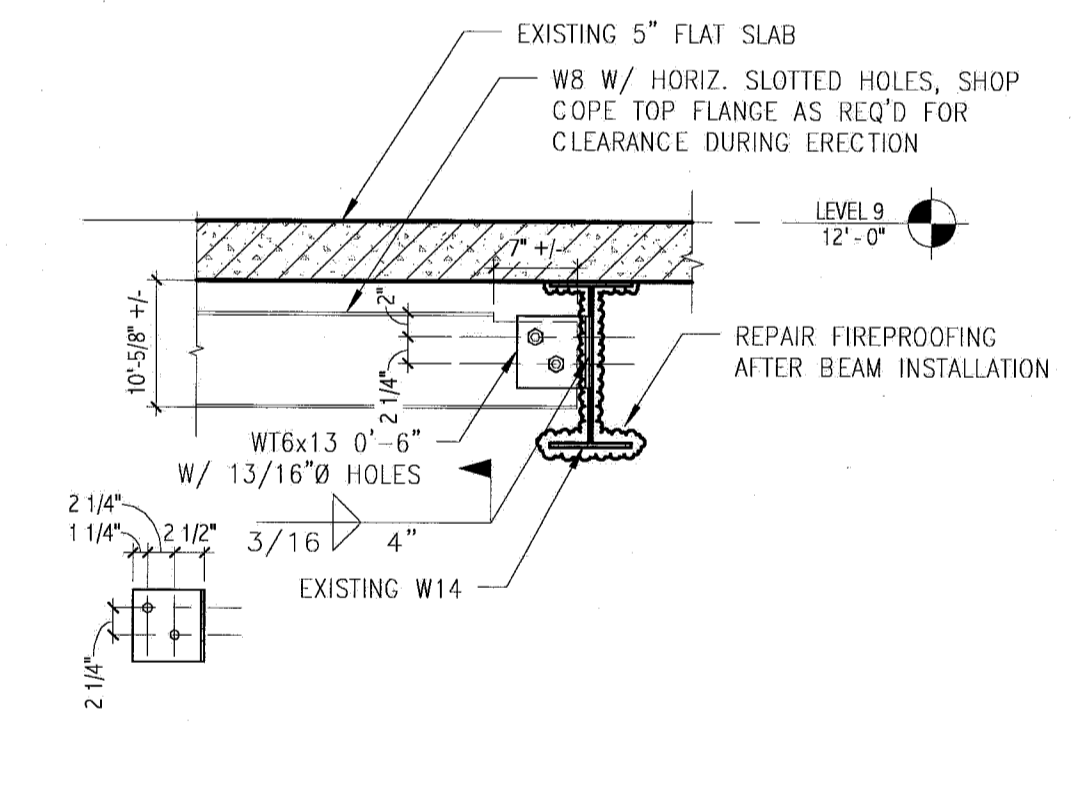
A1 PARTIAL LEVEL 8 FRAMING PLAN
1/4" = 1'-0"



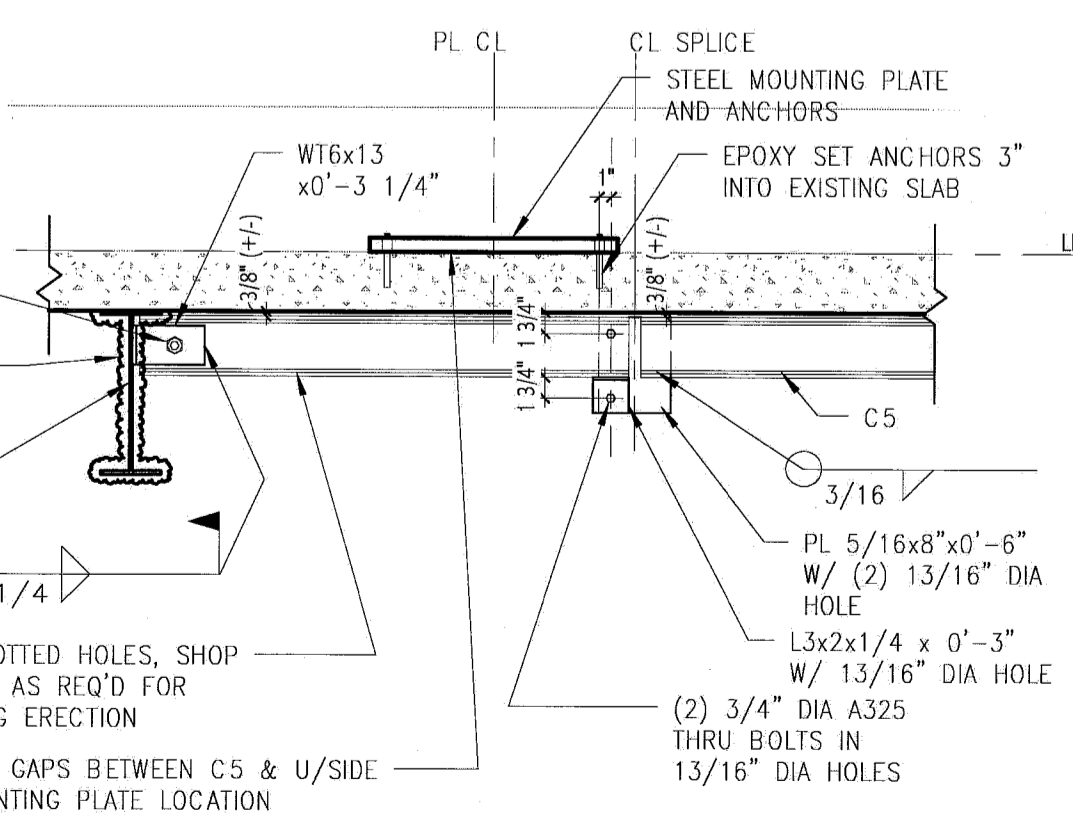
L9 SECTION
3/4" = 1'-0"



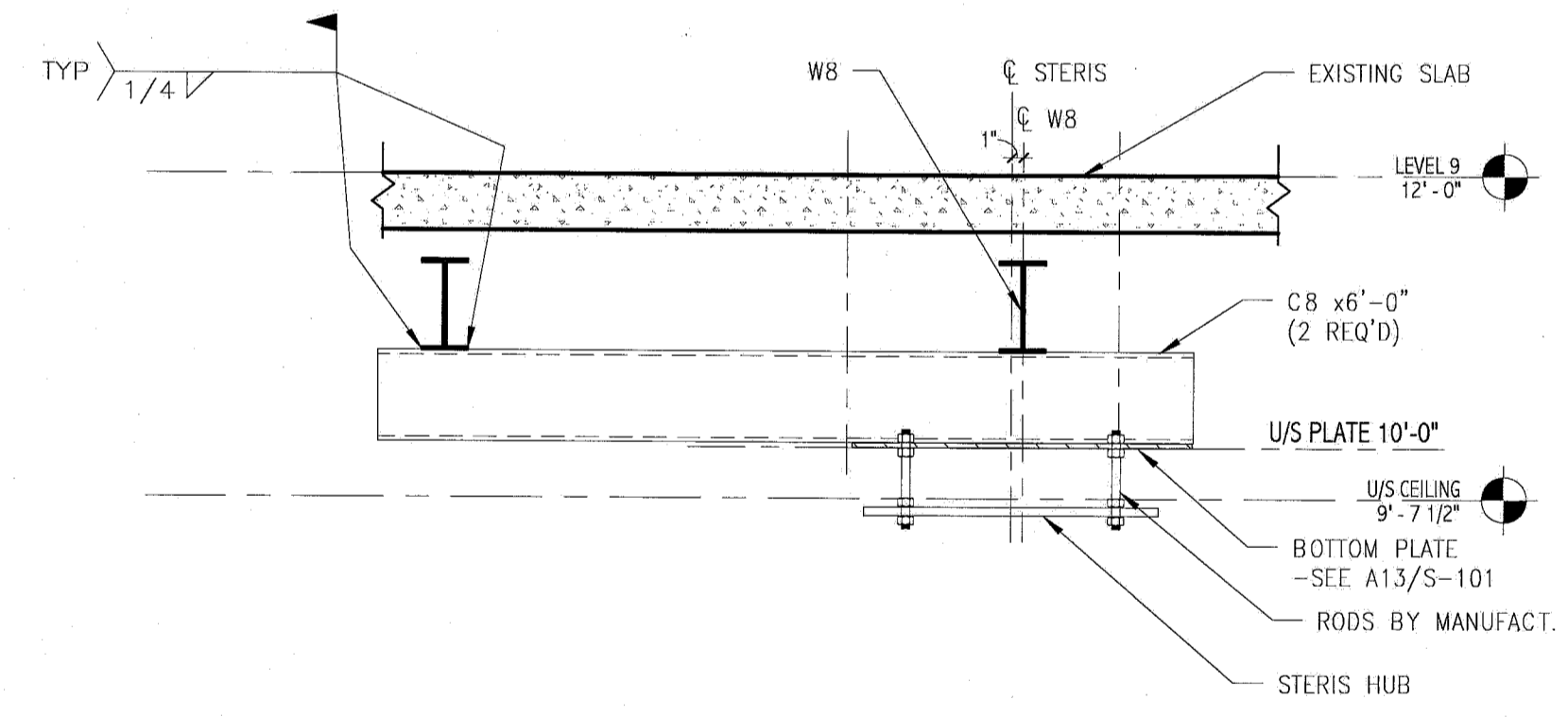
G9 SECTION
3/4" = 1'-0"



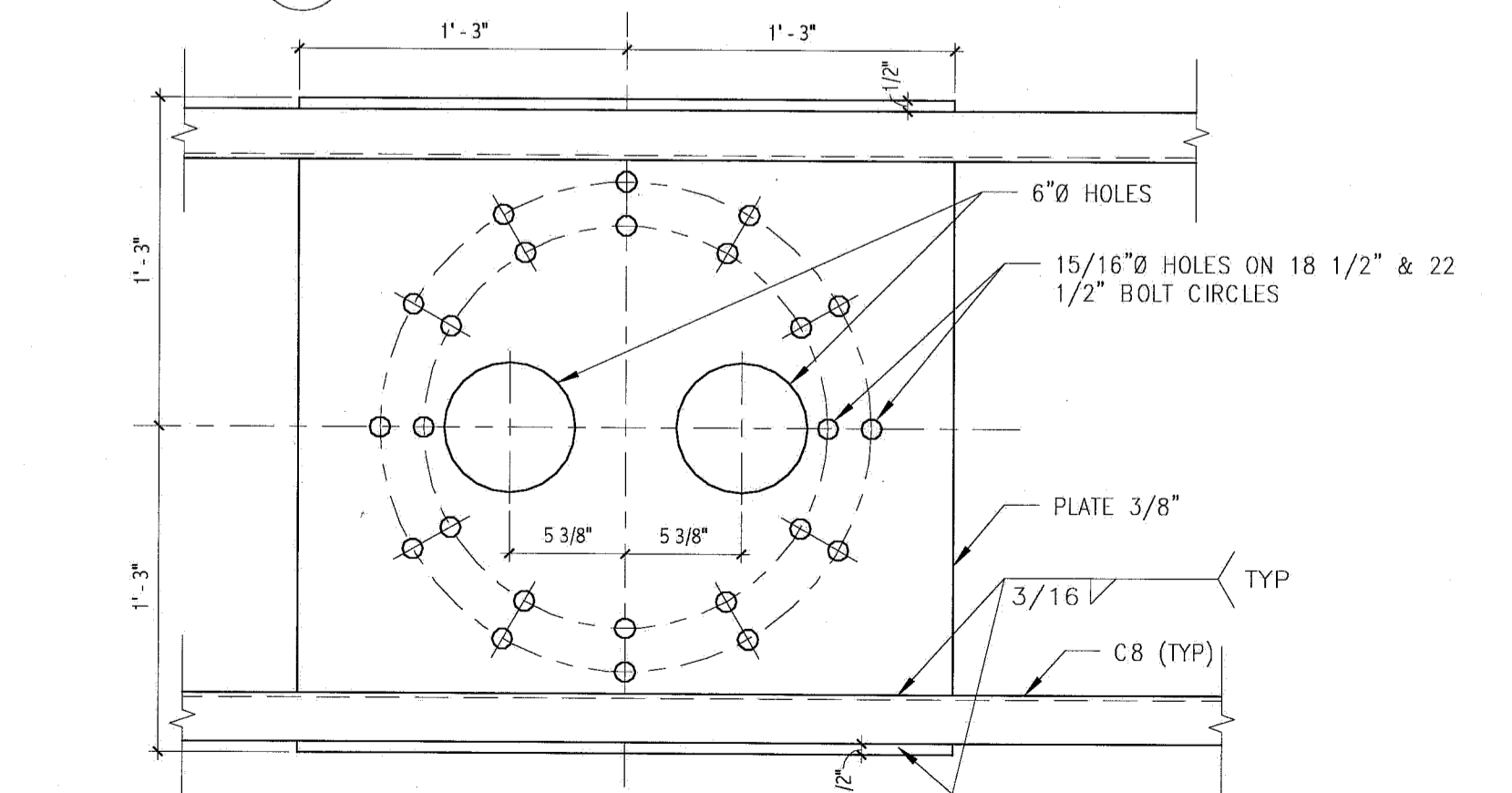
E9 SECTION
3/4" = 1'-0"



A9 SECTION
3/4" = 1'-0"



E13 DETAIL
3/4" = 1'-0"



A13 BOTTOM PLATE DETAIL
1 1/2" = 1'-0"

NOTES:

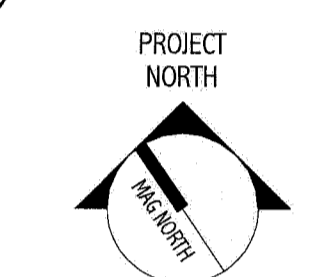
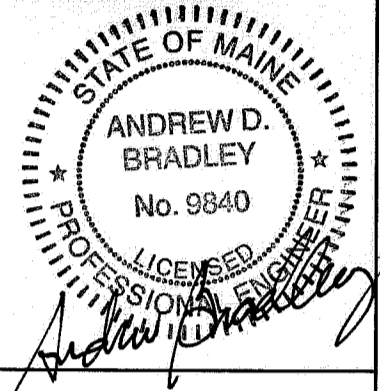
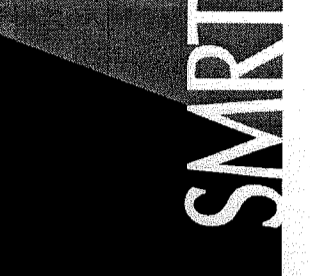
- COORDINATE DIMENSIONS WITH EQUIPMENT SUPPLIER TO ASSURE PROPER PLACEMENT OF MOUNTING BOLT HOLES, ETC.
- ELEVATIONS REFERENCED IN PLAN AND SECTION ARE TAKEN FROM DRAWINGS OF EXISTING BUILDING DATED JULY 29, 1966. VERIFY EXISTING CONDITIONS PRIOR TO FABRICATING ANY COMPONENTS.
- ITEMS NOTED TO BE EPOXY SET ARE TO BE EMBEDDED USING HITI HIT-HY 150. FOLLOW MANUFACTURER'S DIRECTIONS FOR HOLE SIZE, PREPARATION AND CURING.
- ALL STEEL EXPOSED TO WEATHER IS TO BE HOT-DIPPED GALVANIZED. FIELD TOUCH ANY AREAS DAMAGED DUE TO WELDING OR ERECTION WITH ZINC RICH PAINT.
- STRUCTURAL STEEL FABRICATION, ERECTION, AND CONNECTION DESIGN SHALL CONFORM TO AISC "SPECIFICATION FOR THE DESIGN, FABRICATION, AND ERECTION OF STRUCTURAL STEEL" - THIRTEENTH EDITION.
- STRUCTURAL STEEL WIDE FLANGE SHAPES SHALL CONFORM TO ASTM A992, GRADE 50. STEEL FOR PLATES, ANGLES, AND CHANNELS SHALL CONFORM TO ASTM A36. STRUCTURAL PIPE SHALL CONFORM TO ASTM A500 GRADE B.
- FIELD CONNECTIONS SHALL BE BOLTED USING 3/4" GALVANIZED A325N HIGH STRENGTH BOLTS.
- ALL SHOP WELDING SHALL CONFORM TO AWS D1.1 - LATEST EDITION. ELECTRODES SHALL BE E70XX.
- SUBMIT SHOP DRAWINGS FOR APPROVAL PRIOR TO FABRICATION.

DESIGN LOADS:

- NEW COMPONENTS AND EXISTING BUILDINGS ELEMENTS IMPACTED BY THE NEW EQUIPMENT HAVE BEEN DESIGNED OR CHECKED TO COMPLY WITH THE 2006 EDITION OF THE INTERNATIONAL BUILDING CODE AND ASCE-7-05.
- EQUIPMENT WEIGHT USED IN DESIGN:
A. STERIS "HARMONY EMS 70" DBL. FIXED ARM WITH 40" LITE COLUMN" = 2,020 LBS.; 12, 850 #-FT.
B. PHILLIPS ALLURA BIPLANE: "ANGIO DIAGNOST 7" = 1693 LBS
"POLY DIAGNOST G FD" = 1921 LBS
"LARC CM NEURO RAIL" = 1939 LBS (TENSION), 845 LBS (SHEAR)

144 Fore Street, Box 618
Portland, Maine 04104
Tel: (207) 773-3846
Fax: (207) 773-0770
www.smrti.com

ARCHITECTURE
ENGINEERING
PLANNING
INTERIOR DESIGN
COMMISSIONING



MAINE MEDICAL CENTER
CATH. LAB # 6
PORTLAND, ME

ISSUED FOR CONSTRUCTION
12.21.10

NO.	DESCRIPTION	DATE
0	ISSUED FOR CONSTRUCTION	12.21.10

GRAPHIC SCALE:
0' 1'

SCALE: As indicated

PROJECT MANAGER: ND

DESIGNED BY: APF

DATE OF RECORD: ADB

PROJECT NO: 10112-00

DATE: 12.21.10

SHEET TITLE:
PARTIAL FRAMING
PLANS, SECTIONS
AND DETAILS

SHEET No:
S-101