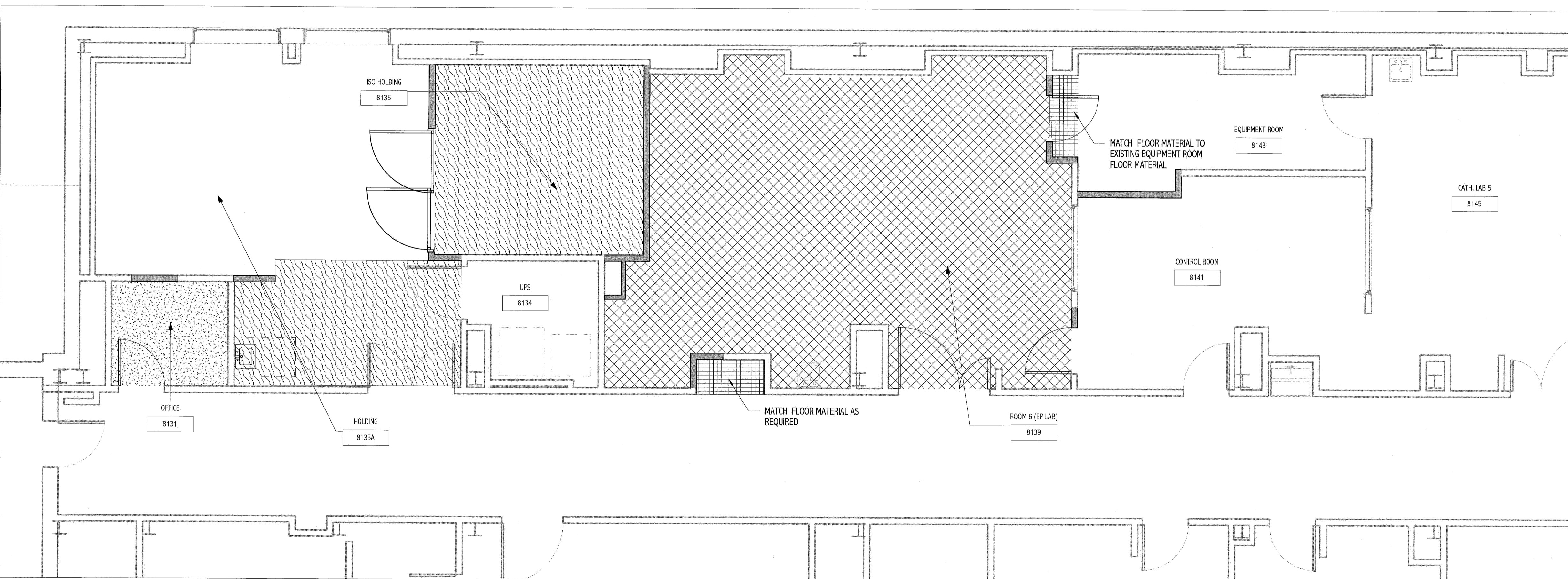


1 LEVEL 8
1/4" = 1'-0"



2 FINISH PLAN
1/4" = 1'-0"

ROOM NUMBER	NAME	FLOOR				WALLS				CEILING		ROOM NUMBER	COMMENTS
		MAT'L	BASE	NORTH	SOUTH	EAST	WEST	MAT'L	HT				
8131	OFFICE	CPT	RB-1	PTD-1	PTD-1	PTD-1	PTD-1	ACT-2	SEE RCP	8131			
8134	UPS	EXISTING	EXISTING	EXISTING	EXISTING	EXISTING	EXISTING	EXISTING	EXISTING	8134			
8135	ISO HOLDING	VCT-1	RB-2	PTD-1*	PTD-1*	PTD-1*	PTD-1	ACT-2	EXISTING	8135			
8135A	HOLDING	VCT-1	RB-2	PTD-1	PTD-1	PTD-1	PTD-1	ACT-2	SEE RCP	8135A			
8139	ROOM 6 (EP LAB)	RUB-1	FC	PTD-1	PTD-1	PTD-1	PTD-1	ACT-1/2	SEE RCP	8139			
8141	CONTROL ROOM	RUB-1	RB-1	EXISTING*	PTD-1	PTD-1	EXISTING	ACT-2	EXISTING	8141			
8143	EQUIPMENT ROOM	EXISTING*	EXISTING*	EXISTING	EXISTING	EXISTING	EXISTING*	EXISTING*	EXISTING	8143			

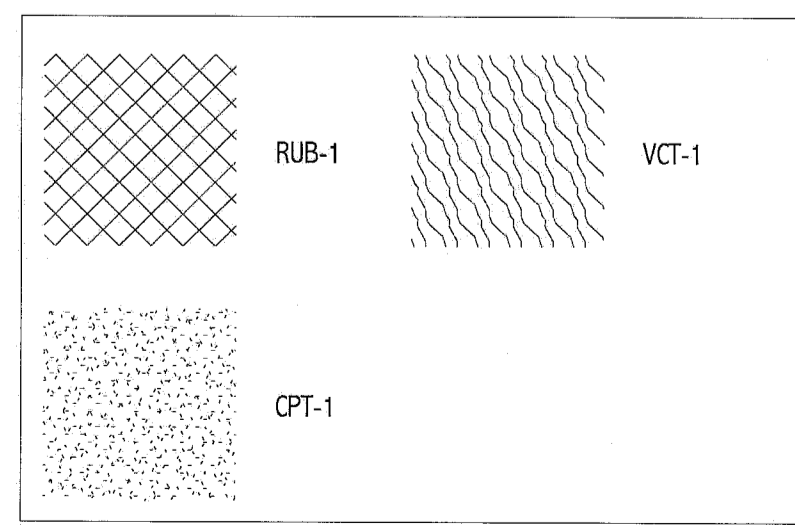
FINISH LEGEND:

- ACOUSTIC CEILING TILE:**
 ACT-1 2X2 HEALTH ZONE ULTIMA #1935, 15/16 GRID
 ACT-2 ARMSTRONG CORTEGA-769, 24X48X5/8 SQUARE LAY-IN W.15.16" EXPOSED TEE GRID
- CARPET:**
 CPT CROSSLEY 30313, FIRST IMPRESSION #08604 GREAT TAN
- RUBBER FLOORING:**
 RUB-1 3MM NORA MEGA RUBBER FLOOR, 1585 BLUE MARBLE
- RUBBER BASE:**
 RB-1 4" RUBBER BASE, JOHNSONITE 80 FAWN
 RB-2 4" RUBBER BASE TO MATCH EXISTING
 FC FLASH COVERED BASE
- PAINT:**
 PTD-1 MMC STANDARD, ANTIQUE WHITE
 PTD-2 MMC STANDARD, MEDIUM TAUPE #1
- PLASTIC LAMINATE:**
 PLAM-1 PIONITE AB221 CRADLE OF LIBERTY (STORAGE CABINETS)
- SOLID SURFACE MATERIAL (SS):**
 SS-1 CORIAN DOESKIN
- VINYL COMPOSITION TILE (VCT):**
 VCT-1 MATCH ADJACENT EXISTING
- PROTECTIVE WALL COVERING (PWV):**
 PWC-1 ACROVYN 933 MISSION WHITE

GENERAL FINISH NOTES:

- SEE MANUFACTURER'S SPECIFICATIONS FOR ADDITIONAL INFORMATION REGARDING FINISH MATERIALS.
- MATERIALS IN FINISH LEGEND ARE FROM MAINE MEDICAL CENTER'S FINISH STANDARDS. SUBSTITUTIONS WILL NOT BE ACCEPTED.
- DOOR AND WINDOW FRAMES TO BE PTD-2, UNLESS NOTED OTHERWISE.
- REFER TO RCP FOR SOFFIT HEIGHTS. ALL SOFFITS TO BE PTD-1, UNLESS NOTED OTHERWISE.
- ALL GWB CEILINGS TO BE PTD-1, UNLESS NOTED OTHERWISE.
- INTEGRAL BASE COLOR SHALL BE SYNONYMOUS WITH FLOOR COLOR AT THAT POINT, UNLESS NOTED OTHERWISE.
- ALL AREAS DISTURBED DURING CONSTRUCTION SHALL BE PATCHED TO MATCH EXISTING FINISHES.

FLOOR FINISH LEGEND



GENERAL NOTES:

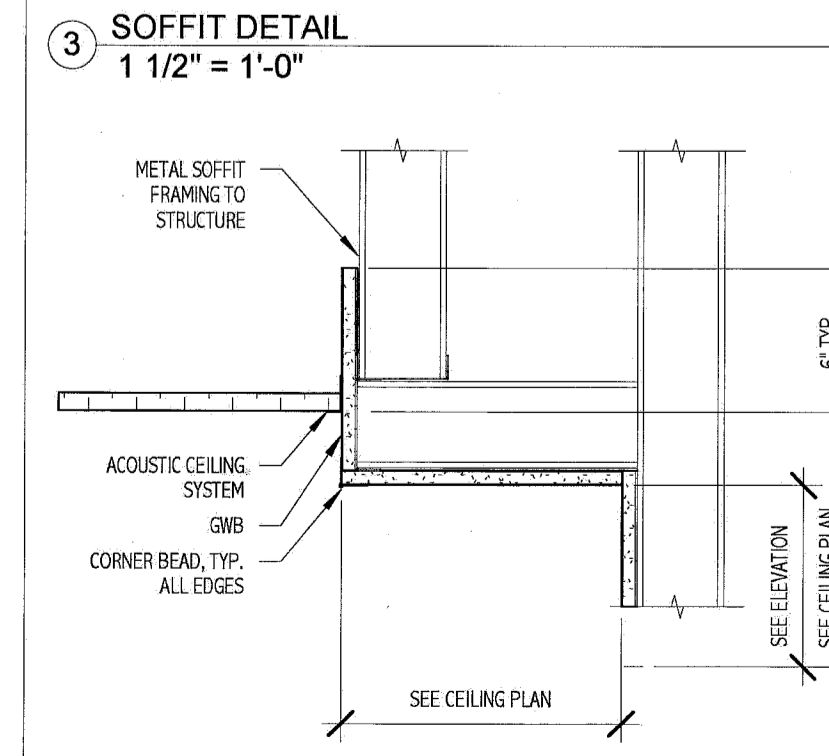
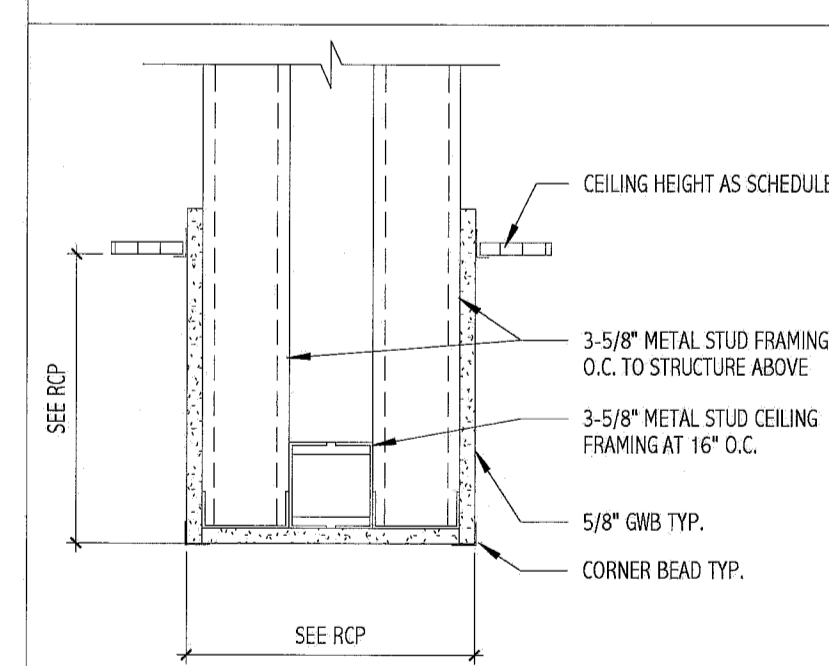
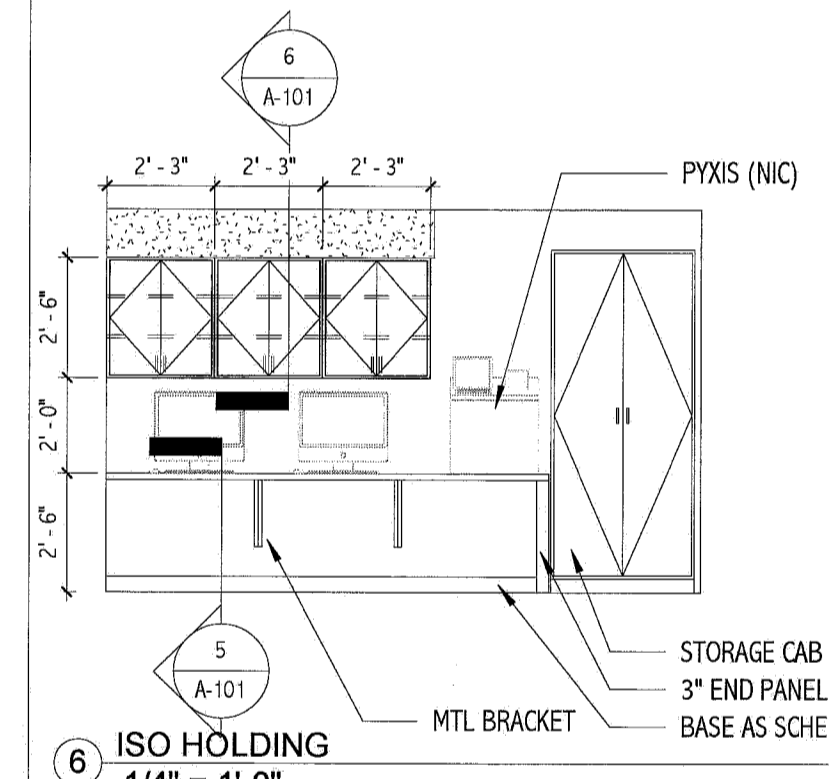
- REFER TO G-001 FOR PROJECT GENERAL NOTES AND ABBREVIATIONS.

REFLECTED CEILING NOTES:

- UNLESS INDICATED OTHERWISE, CENTER CEILING GRIDS IN ROOMS. USE HALF TILES OR GREATER AT PERIMETERS WHERE POSSIBLE.
- ALIGN CEILING ITEMS AS SHOWN, WITH COMMON CENTERLINES, TYPICALLY. CENTER ITEMS IN CEILING, OR IN AREAS UNLESS INDICATED OTHERWISE.
- REFER TO ROOM FINISH SCHEDULE FOR CEILING FINISHES TO BE PROVIDED.
- FIRE SPRINKLERS SHALL BE CENTERED IN CEILING TILE SQUARES.
- FIRE SPRINKLERS SHALL BE LOCATED IN ALIGNMENT WITH OTHER CEILING ITEMS TYPICALLY.
- FIRE SPRINKLERS SHALL BE PLACED TO COORDINATE WITH LIGHT FIXTURE POSITIONS INDICATED.
- REFER TO FLOOR PLANS FOR EQUIPMENT SCHEDULE.

SYMBOLS LEGEND:

- 2X2 SUSPENDED CEILING PANEL AND GRID ASSEMBLY
- GWB CEILING
- 2x2 LAY-IN LIGHT FIXTURE
- 2x4 LAY-IN LIGHT FIXTURE
- DOWN LIGHT
- RETURN AIR GRILLE
- SUPPLY AIR GRILLE
- EXHAUST AIR GRILLE



144 Fox Street, Box 618
 Portland, Maine 04104
 Tel: (207) 772-3846
 Fax: (207) 772-1070
 www.smartinc.com

ARCHITECTURE
 ENGINEERING
 PLANNING
 INTERIOR DESIGN
 COMMISSIONING

SMART

REGISTERED ARCHITECT
 KRISTEN L. DAUBATH
 No. 2768
 STATE OF MAINE
 Kristen Daubath

PROJECT NORTH

MAINE MEDICAL CENTER
 CATH. LAB # 6
 PORTLAND, ME

ISSUED FOR CONSTRUCTION
 12.21.10

NO.	DATE	DESCRIPTION	ISSUED FOR CONSTRUCTION
0	12.21.10	ISSUED FOR CONSTRUCTION	DATE
1			DATE
2			DATE
3			DATE
4			DATE
5			DATE
6			DATE
7			DATE
8			DATE
9			DATE
10			DATE
11			DATE
12			DATE
13			DATE
14			DATE
15			DATE
16			DATE

GRAPHIC SCALE:
 0" 1"

SCALE: As indicated

PROJECT MANAGER: KD
 ARCHITECT: AD
 DATE OF RECORD: KD
 PROJECT NO: 10112-00
 DATE: 12.21.10

SHEET TITLE:
REFLECTED CEILING AND FINISH PLAN

SHEET NO.
A-102