



Maine Medical Center
22 Bramhall Street
Portland, ME: 04102-3175
Facilities Development
207-662-2013

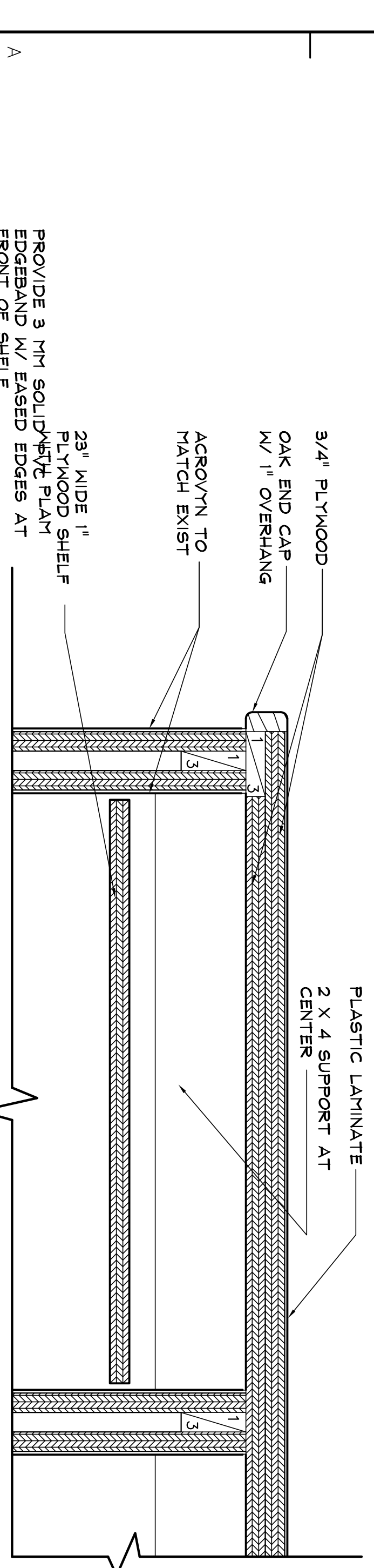
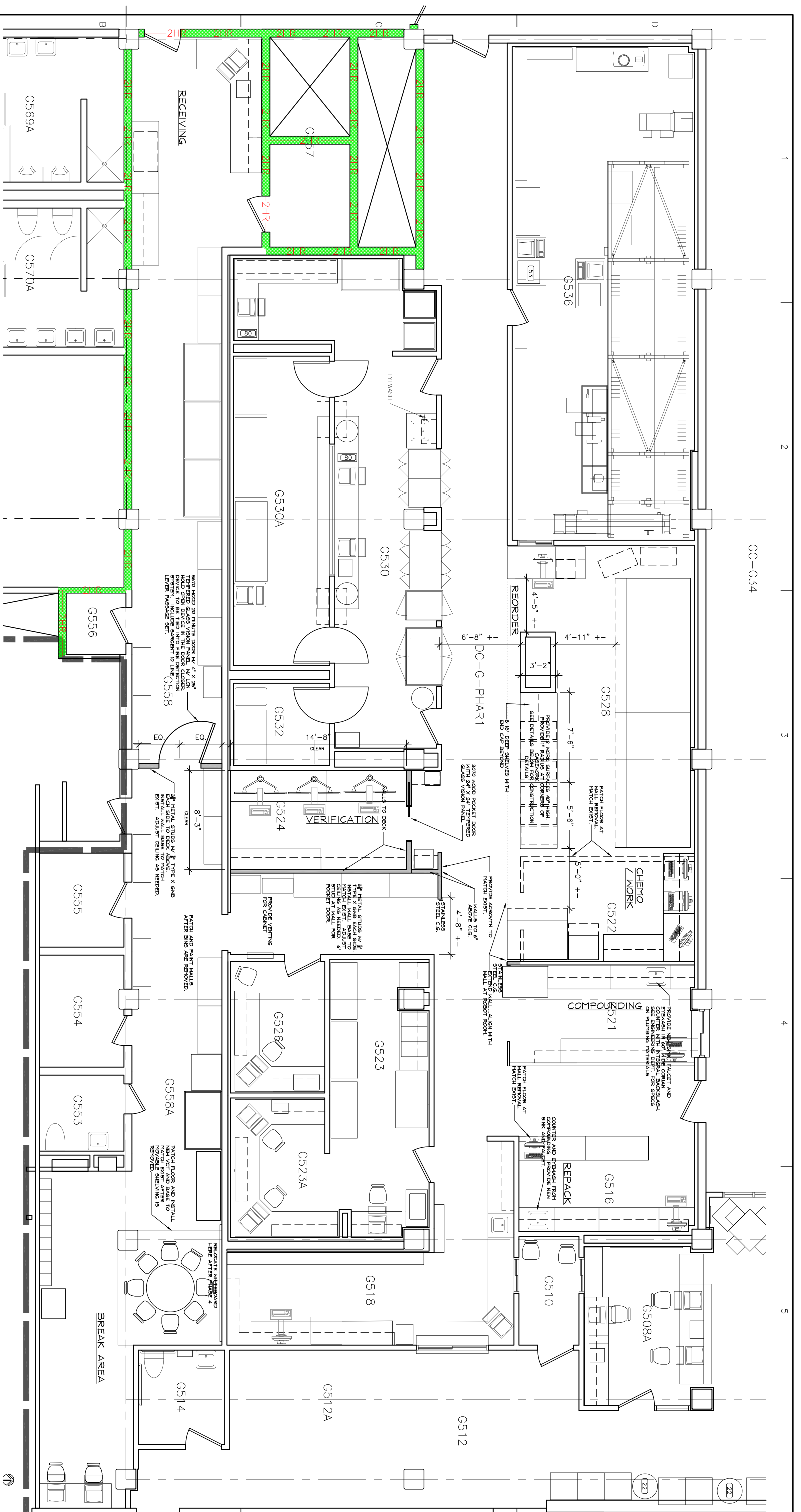
CONSULTANTS

PHARMACY RENOVATION

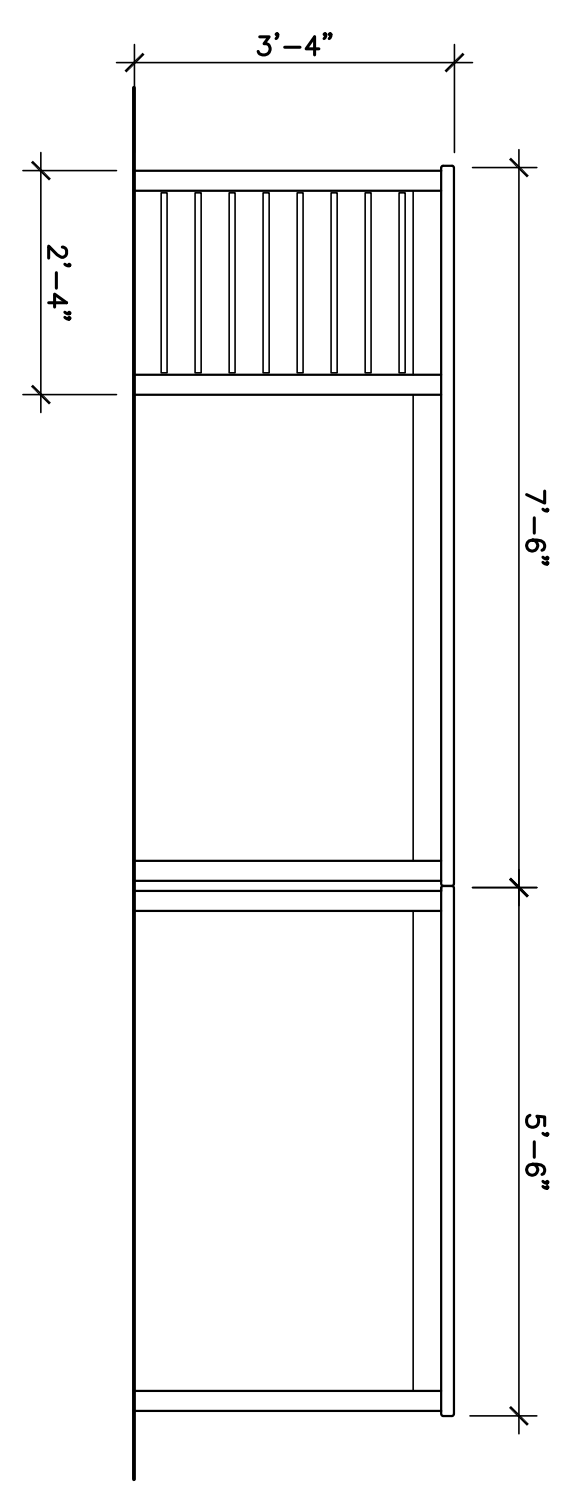
NDF BUILDING
22 BRAMHALL ST. PORTLAND, ME

DATE	APRIL 23, 2010
ISSUE	FOR BID
PROJECT NO.	210022
CAD DWG FILE:	
DRAWN BY:	RJS
CHECKED BY:	

SHEET TITLE
NEW CONSTRUCTION PLAN



CASEWORK SECTION AT SHELVES
SCALE : 3" = 1' - 0"



CASEWORK ELEVATION
SCALE : 1/2" = 1' - 0"

NEW CONSTRUCTION PLAN
SCALE : 1/4" = 1' - 0"

GENERAL NOTES:
1. DISTURBED BY NEW CONSTRUCTION.
2. SEE FURNITURE AND EQUIPMENT DRAWING FOR DESCRIPTION OF EQUIPMENT.

