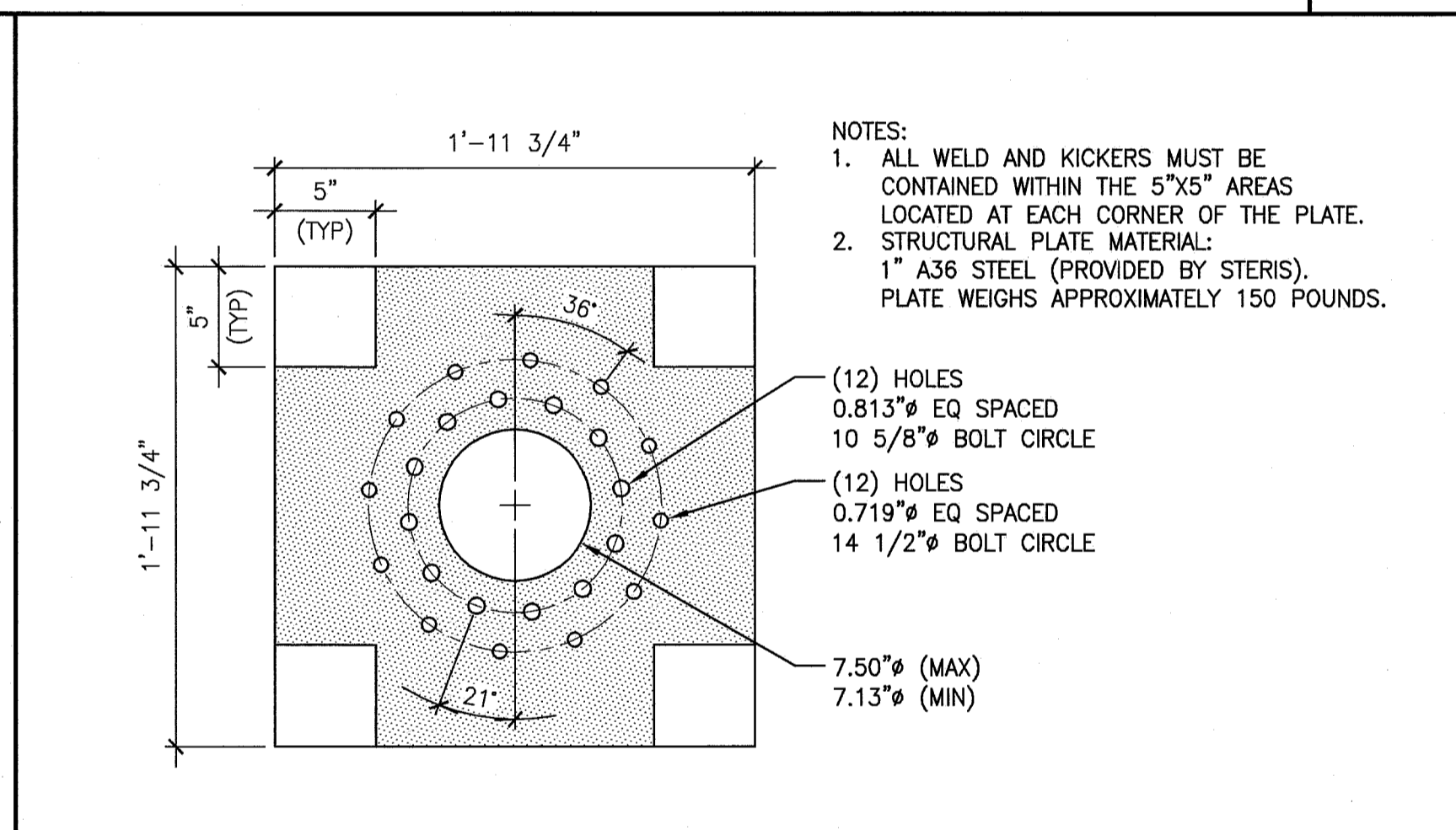
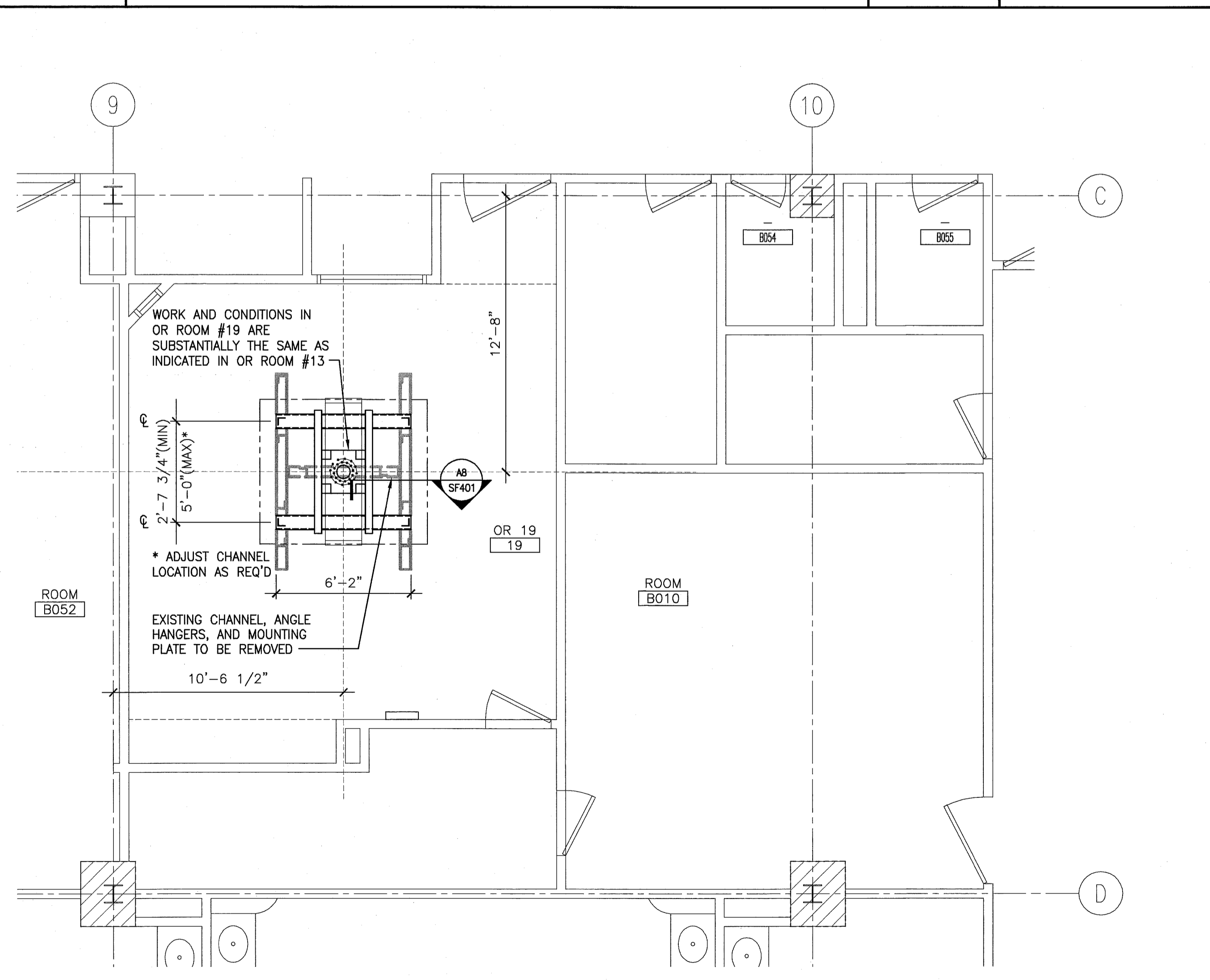


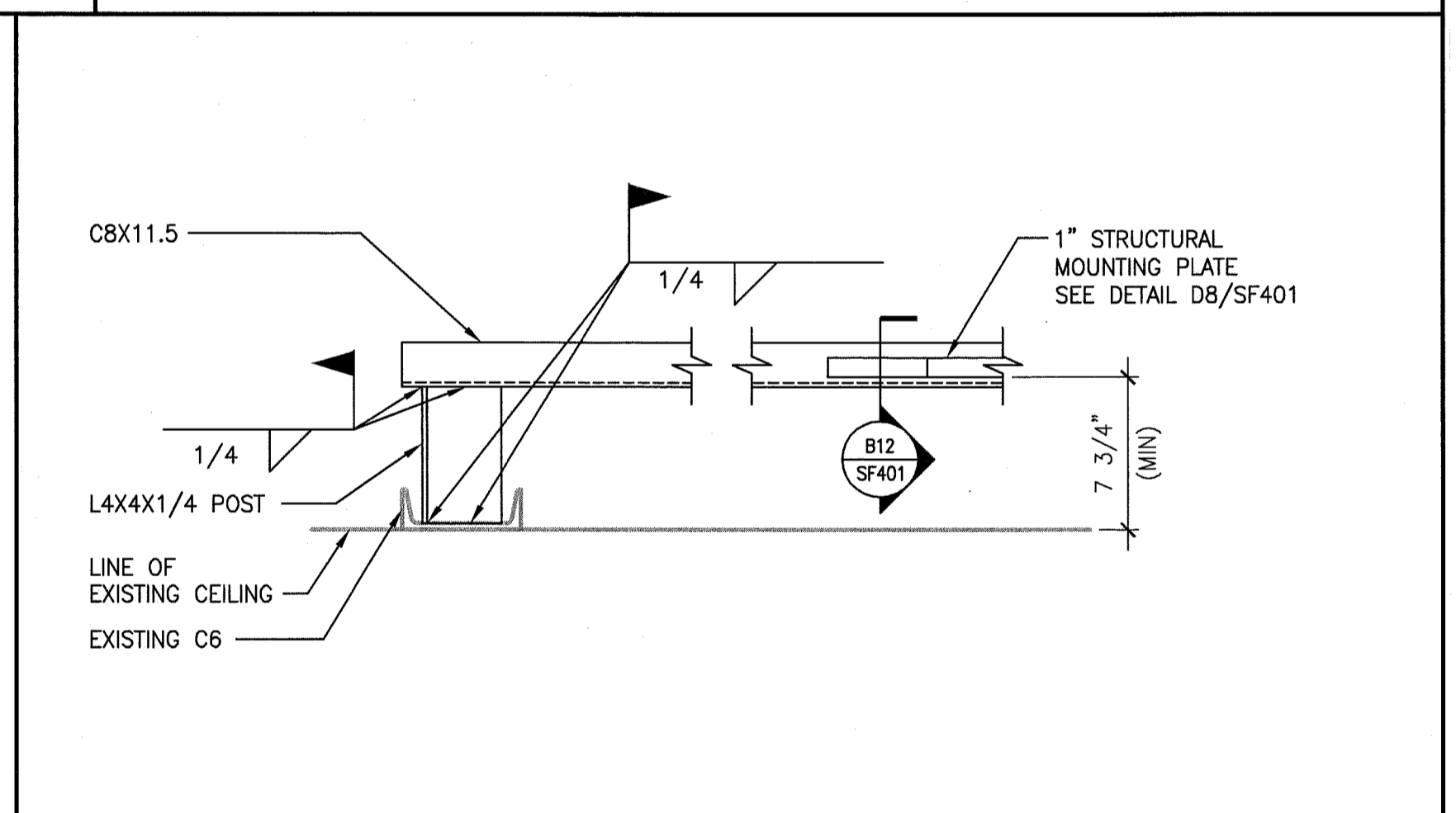
H1 PART PLAN OR ROOM #3
1/4" = 1'-0"

H6 PART PLAN OR ROOM #13
1/4" = 1'-0"

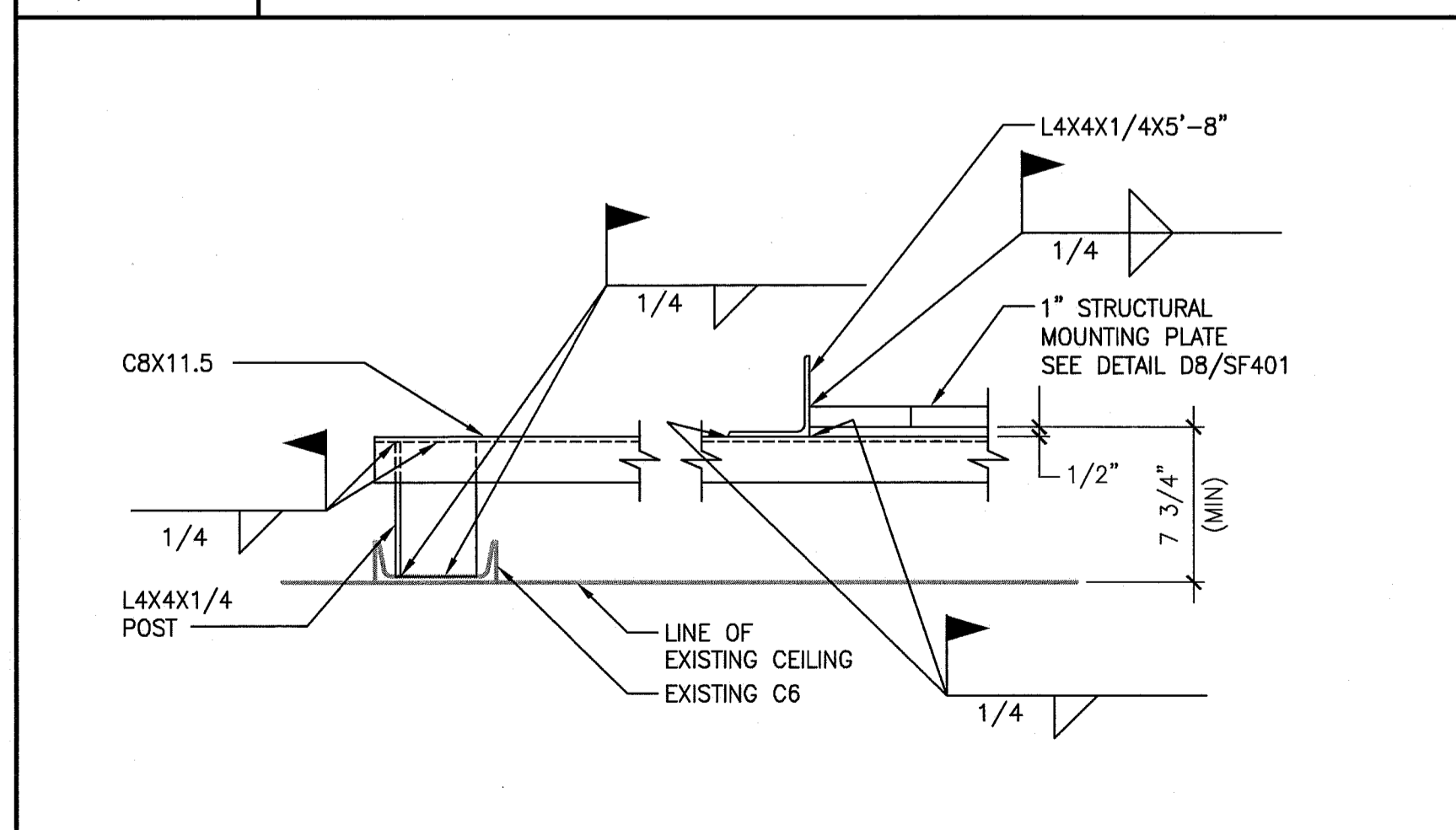
H12 PART PLAN OR ROOM #15
1/4" = 1'-0"



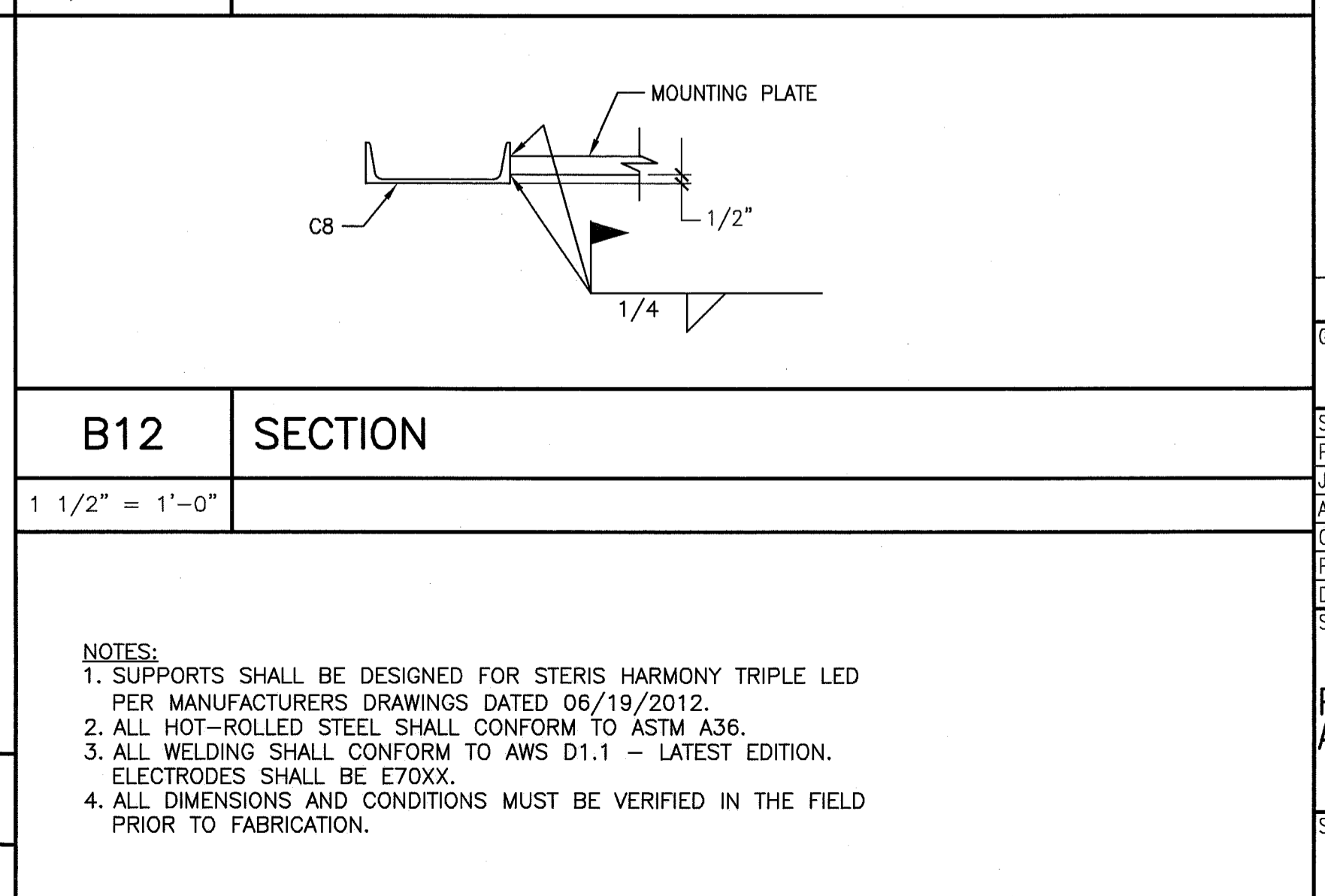
D8 DETAIL
1 1/2" = 1'-0"



D12 SECTION
1 1/2" = 1'-0"



A8 SECTION
1 1/2" = 1'-0"



B12 SECTION
1 1/2" = 1'-0"

A1 PART PLAN OR ROOM #19
1/4" = 1'-0"

144 Fore Street/P.O. Box 618
Portland, Maine 04104
Tel. (207) 772-3846
Fax (207) 772-1070
www.smrinc.com

ARCHITECTURE
ENGINEERING
PLANNING
INTERIOR DESIGN
COMMISSIONING

SMRI

PROJECT NORTH

STATE OF MAINE
SHEENA M. BITETTI
No. 12832
LICENSED PROFESSIONAL ENGINEER

MAINE MEDICAL CENTER
OR LIGHT REPLACEMENT, OR #3, #13, #15, #19
22 BRANFALL ST., PORTLAND, MAINE

ISSUED FOR CONSTRUCTION
7-10-12

REV	DESCRIPTION	DATE
0	ISSUED FOR CONSTRUCTION	7-10-12

GRAPHIC SCALE:
0" = 1"

SCALE: AS NOTED
PROJECT MANAGER: DJV
JC/DRAWN BY: ERB
A/E OF RECORD:
CAD FILE: SF101-12078
PROJECT NO: 12078
DATE: 07/03/12
SHEET TITLE:

PART PLANS AND DETAILS
SHEET No. SF101
© COPYRIGHT 2012 SMRI INC.