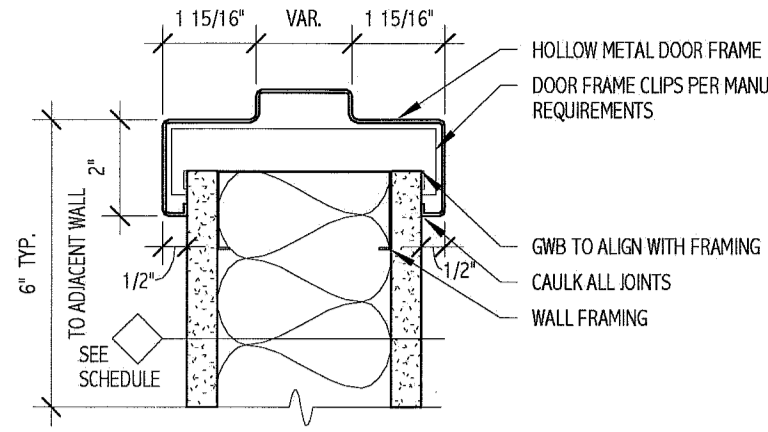


1 DOOR HEAD DETAIL
3" = 1'-0"



2 DOOR JAMB DETAIL
3" = 1'-0"

DOOR AND FRAME SCHEDULE pbc/RadCu 2													
DOOR #	DOOR					FRAME				HARDWARE SET	FIRE RATING	REMARKS	
	WIDTH	HEIGHT	THICK	MAT'L	ELEV	MAT'L	ELEV	HEAD	JAMB				
B105	6' - 0"	7' - 0"	1 3/4"	AL	FG	CLR. TEMP.	AL	1	1/A-601	2/A-601	HW-8		
B107	3' - 0"	7' - 0"	1 3/4"	WD	F	-	HM	1	1/A-601	2/A-601	HW-2		
B110	3' - 6"	7' - 0"	1 3/4"	WD	F	-	HM	1	1/A-601	2/A-601	HW-1		
B111	6' - 0"	7' - 0"	1 3/4"	AL	FG	FR/T	AL	ICU	1/A-601	2/A-601	HW-5		FR = FROSTED
B112A	3' - 0"	7' - 0"	4"	AL	FG	FR/T	HM	1	1/A-601	2/A-601	HW-10		
B112B	5' - 0"	7' - 0"	1 3/4"	WD	F	-	HM	1	1/A-601	2/A-601	HW-4		(42" & 18" LEAF) - LEAD LINED
B113A	3' - 0"	7' - 0"	1 3/4"	WD	NG	LL/T	HM	1	1/A-601	2/A-601	HW-9		LEAD LINED
B113B	3' - 0"	7' - 0"	1 3/4"	WD	F	-	HM	1	1/A-601	2/A-601	HW-11		
B121	3' - 0"	7' - 0"	1 3/4"	WD	F	-	HM	1	1/A-601	2/A-601	HW-7		
B122	3' - 0"	7' - 0"	1 3/4"	WD	F	-	HM	1	1/A-601	2/A-601	HW-11		
B124A	5' - 0"	7' - 0"	1 3/4"	WD	F	-	HM	1	1/A-601	2/A-601	HW-4		(42" & 18" LEAF) LEAD LINED
B125	3' - 6"	7' - 0"	1 3/4"	WD	F	-	HM	1	1/A-601	2/A-601	HW-1		
B135A	4' - 0"	7' - 0"	1 3/4"	WD	NG	TEMP	HM	1	1/A-601	2/A-601	HW-6		

EXISTING DOORS TO BE MODIFIED													
DOOR #	DOOR					FRAME				HARDWARE SET	FIRE RATING	REMARKS	
	WIDTH	HEIGHT	THICK	MAT'L	ELEV	MAT'L	ELEV	HEAD	JAMB				
B120	3' - 0"	7' - 0"	1 3/4"								HW-7		*
B124B	6' - 0"	7' - 0"	1 3/4"								HW-14		*
B134	3' - 0"	7' - 0"	1 3/4"								HW-3		*
B135B	6' - 0"	7' - 0"	1 3/4"								HW-13		*
B140	3' - 0"	7' - 0"	1 3/4"								HW-12		*

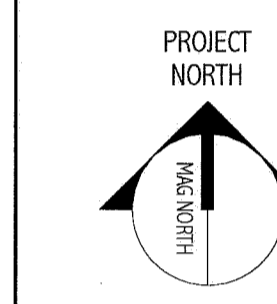
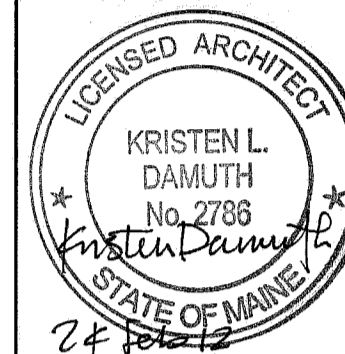
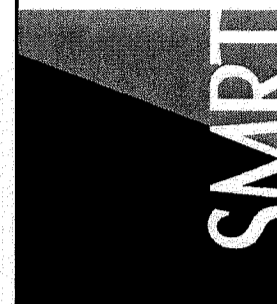
- HW-1 HINGES, LEVER STYLE LOCKSET (PRIVACY), CLOSER, SILENCERS
- HW-2 HINGES, LEVER STYLE LOCKSET (CLASSROOM), TRAVEL LIMITER, SILENCERS
- HW-3 HINGES, LEVER STYLE LOCKSET (CLASSROOM), FLOOR STOP, SILENCERS
- HW-4 PIVOT HINGES HOSPITAL LATCH ON ACTIVE LEAF, MANUAL FLUSH BOLTS INACTIVE LEAF, FLOOR STOPS BOTH LEAVES, ARMOR PLATE & EDGE WRAP ON LATCH & HINGE SIDE OF BOTH LEAVES, SILENCERS
- HW-5 HINGES, AUTO OPERATOR BOTH SIDES
- HW-6 HINGES, LEVER STYLE LOCKSET (PASSAGE), AUTO OPERATORS BOTH SIDES
- HW-7 HINGES, LEVER STYLE LOCKSET (STORAGE), CLOSER, SILENCERS
- HW-8 HINGES, CARD READER OPERATES DOOR FROM OUTSIDE, AUTO OPERATOR BUTTONS FROM CORRIDOR B105, PANIC BARS
- HW-9 HINGES, LEVER STYLE LOCKSET, CARD READER (PASSAGE), CLOSER, SILENCERS
- HW-10 HARDWARE FROM DOOR MANUFACTURER, POSITIVE LATCHING
- HW-11 HINGES, LEVER STYLE LOCKSET (PASSAGE), CARD READER, CLOSER, WALL STOP
- HW-12 HINGES, LEVER STYLE LOCKSET (PASSAGE) CARD READER, CLOSER, SILENCER, GASKETS, AUTO DOOR BOTTOM (EXISTING DOOR & FRAME)
- HW-13 EXISTING DOOR & FRAME. RELOCATE AUTO OPERATOR ON INSIDE, ADD OPERATOR OUTSIDE
- HW-14 HINGES, LEVER STYLE LOCKSET, CARD READER, CLOSER, SILENCERS, STOP, FLUSH BOLT ON INACTIVE LEAF

DOOR NOTES:

1. REFER TO SPECIFICATIONS FOR DOOR HARDWARE SETS.
2. ALL SWING DOORS SHALL BE 1-3/4" THICK UNLESS OTHERWISE NOTED.
3. ALL DOORS SHALL BE 3/4" UNDERCUT (TYP.) EXCEPT WHEN THERE IS A BOTTOM FRAME, SILL, THRESHOLD OR SPECIFICALLY NOTED OTHERWISE.
4. ALL DOORS WITH BOTTOM FRAMES OR SILL THRESHOLDS SHALL HAVE MANUFACTURERS RECOMMENDED STANDARD UNDERCUT.
5. GLAZING NOTED ON DOOR SCHEDULE IS FOR THE DOOR AND SIDELIGHTS IN THE FRAME (TYP.).
6. PROVIDE MMC STANDARD DOOR HARDWARE SYSTEMS & MANUFACTURERS.
7. PROVIDE WALL STOPS WHEREVER POSSIBLE. WHERE NOT POSSIBLE, REVIEW FLOOR STOP LOCATIONS WITH OWNER.

144 Elm Street, Box 418
Portland, Maine 04104
Tel: (207) 772-3846
Fax: (207) 772-1070
www.larrmc.com

ARCHITECTURE
ENGINEERING
PLANNING
INTERIOR DESIGN
COMMISSIONING



MAINE MEDICAL CENTER
HOLDING, RADCU & PBC RENOVATION
PORTLAND, ME
ISSUED FOR CONSTRUCTION
02.24.12
CURRENT ISSUE STATUS:

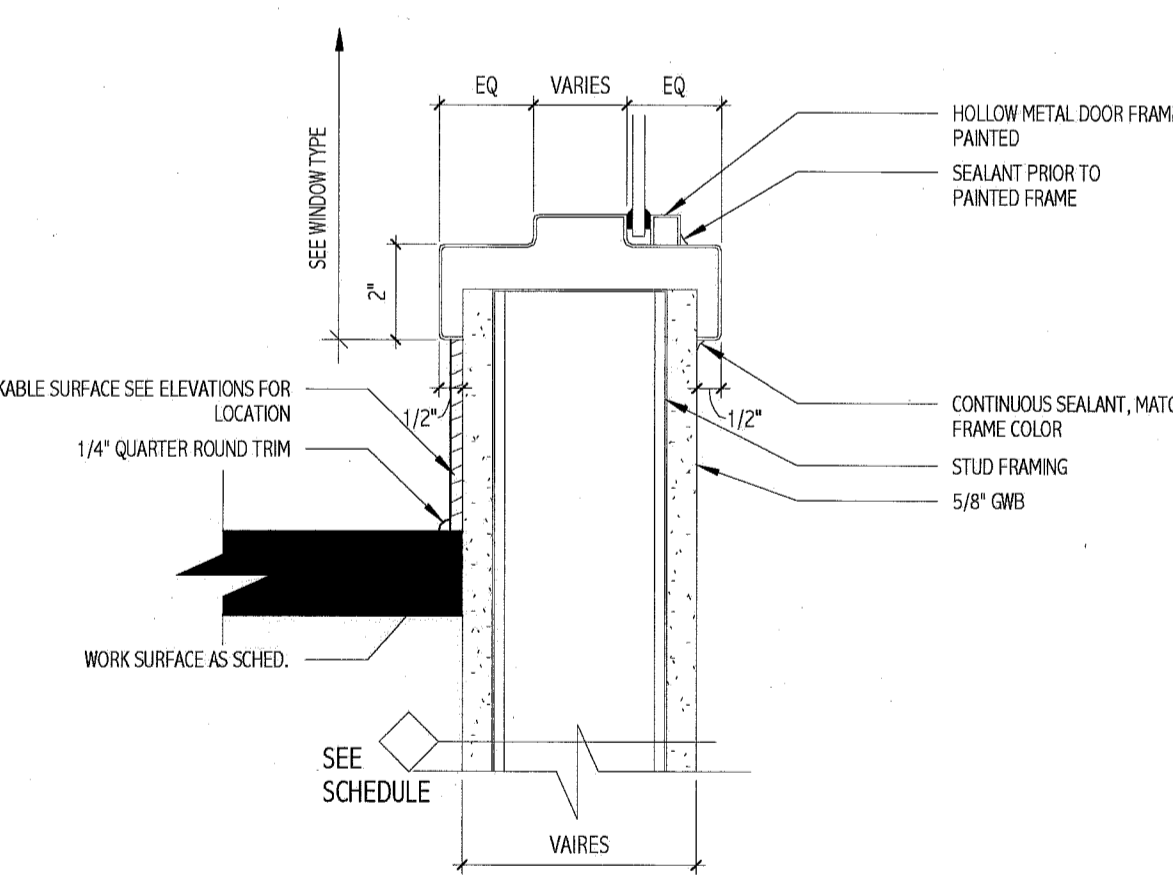
NO.	DESCRIPTION	DATE

GRAPHIC SCALE:
0" 1"

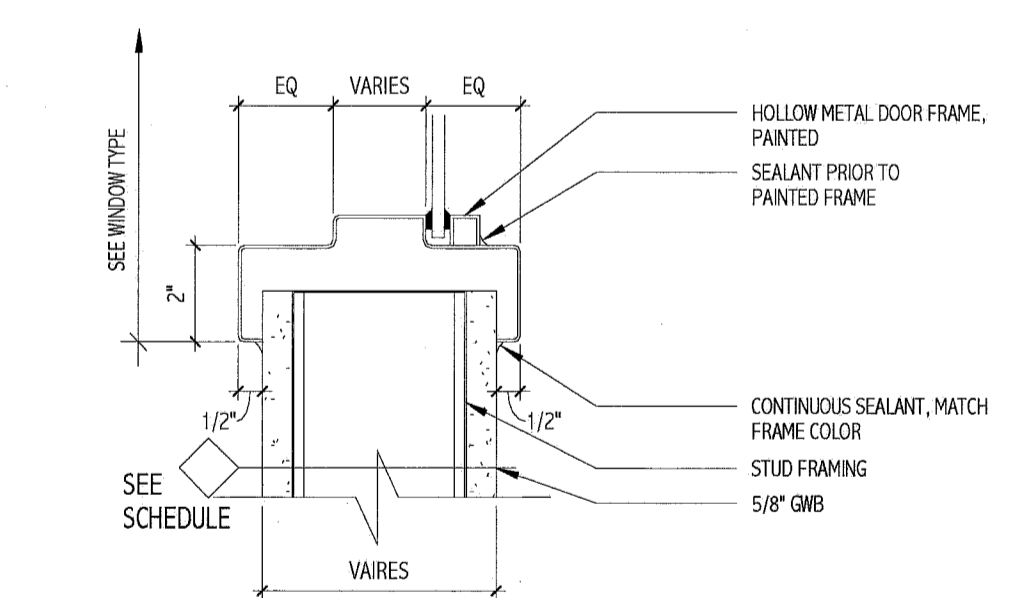
SCALE: As indicated
PROJECT MANAGER: KD
ARCHITECT: AET
DATE OF RECORD: 11/03
PROJECT NO: 11063
DATE: 2.24.12

SHEET TITLE:
DOOR SCHEDULE & DETAILS

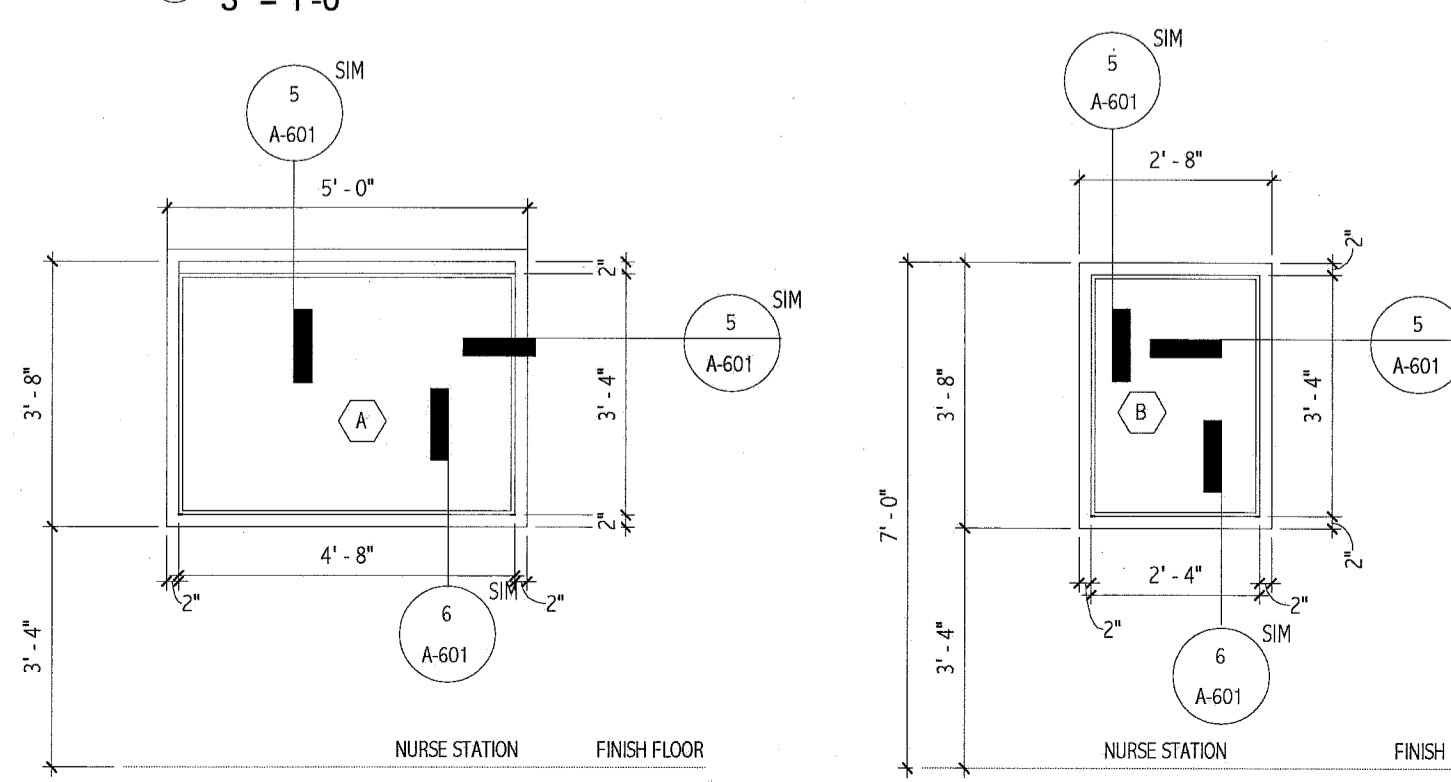
SHEET No.
A-601



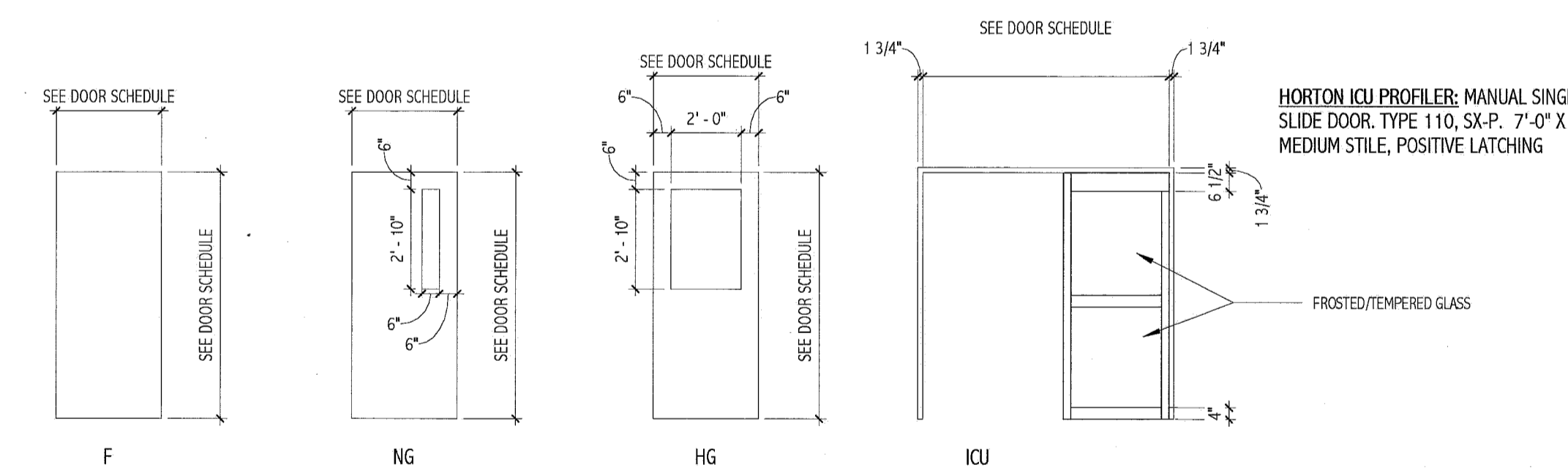
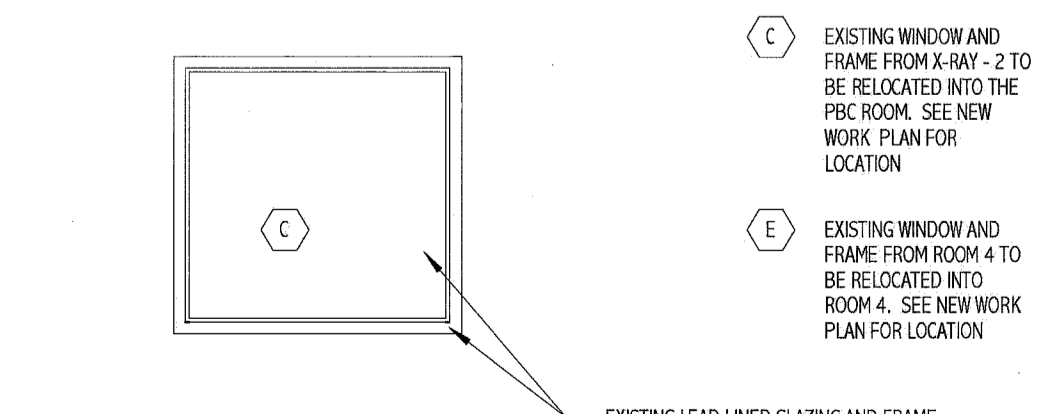
6 WINDOW DETAIL - INTERIOR
3" = 1'-0"



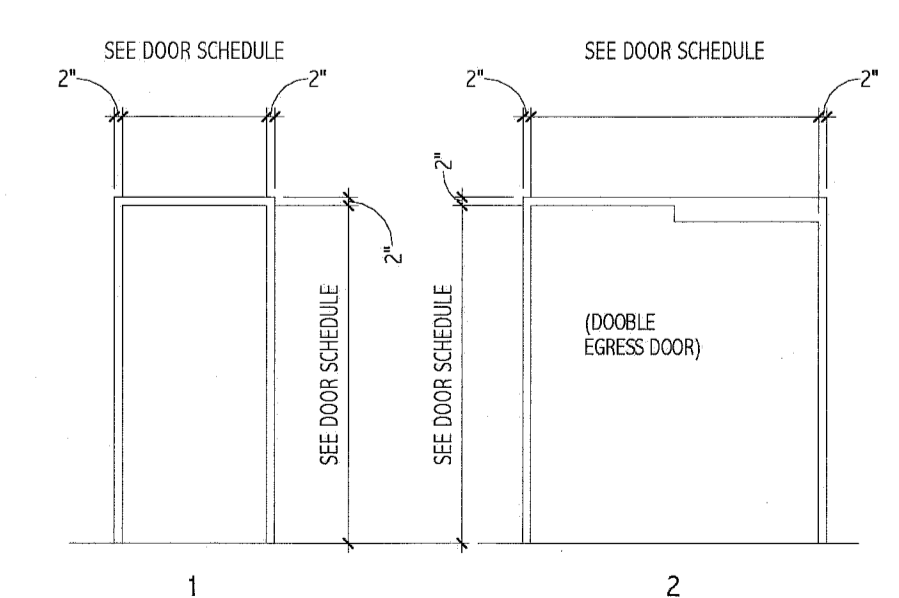
5 WINDOW DETAIL - INTERIOR
3" = 1'-0"



WINDOW LEGEND
3/8" = 1'-0"



4 DOOR LEAF TYPES
1/4" = 1'-0"



3 DOOR FRAME TYPES
1/4" = 1'-0"