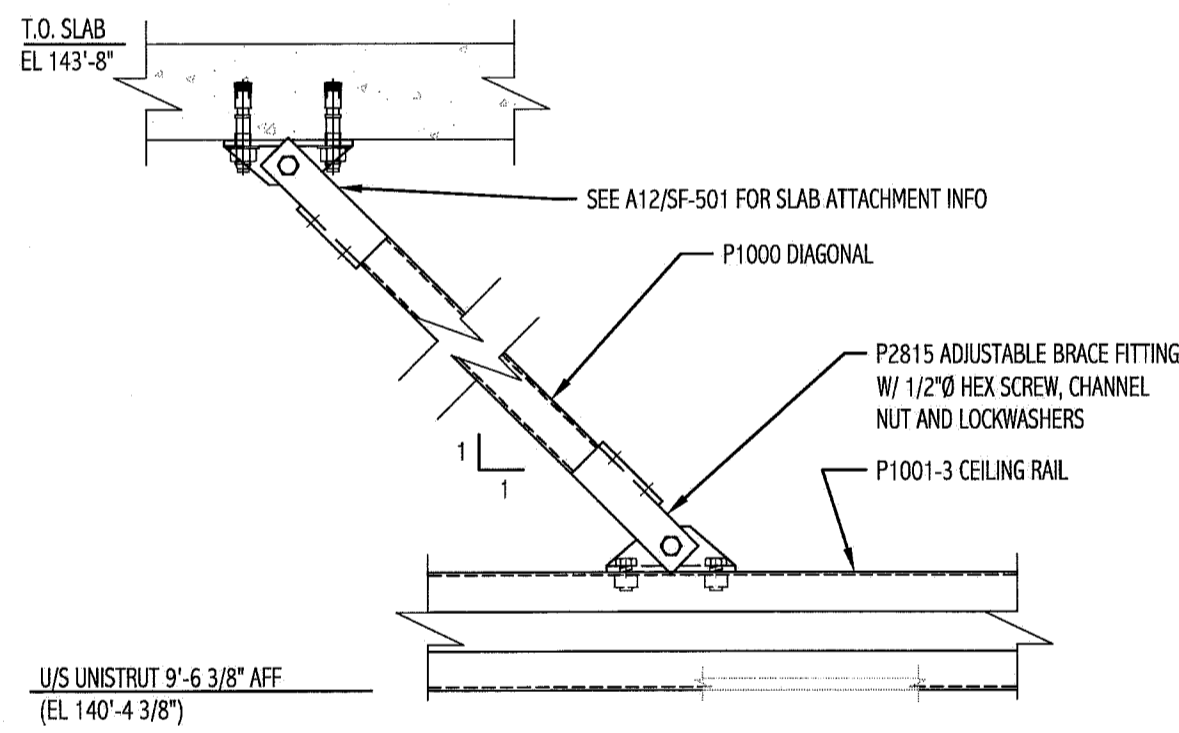


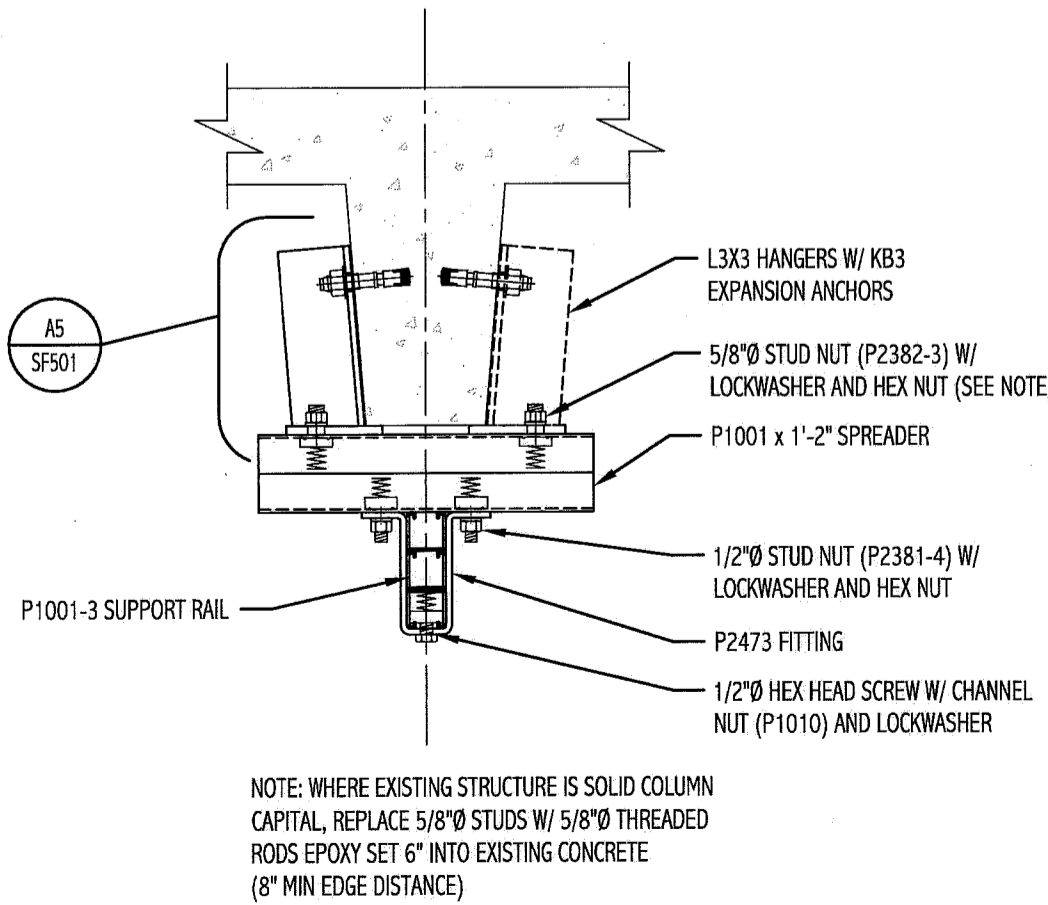
NOTES:

1. CONCRETE SHALL BE LOW SLUMP (<4\"), HIGH EARLY STRENGTH WITH RAPID SETTING CEMENT BY CTS OR EQUAL.
2. NEW CONCRETE SLAB THICKNESS SHALL MATCH EXISTING.
3. PROVIDE TRANSVERSE SAW CUT CONTROL JOINTS THAT ARE 1/4 OF THE SLAB DEPTH AND ARE SPACED 1.5x THE TRENCH WIDTH.
4. PROVIDE CONTROL JOINTS AT INTERFACE BETWEEN NEW AND EXISTING CONCRETE.
5. WET CURE FOR 7 DAYS MINIMUM.
6. * VAPOR RETARDER REQUIRED ONLY IF THERE IS A VAPOR RETARDER UNDER EXISTING SLAB.

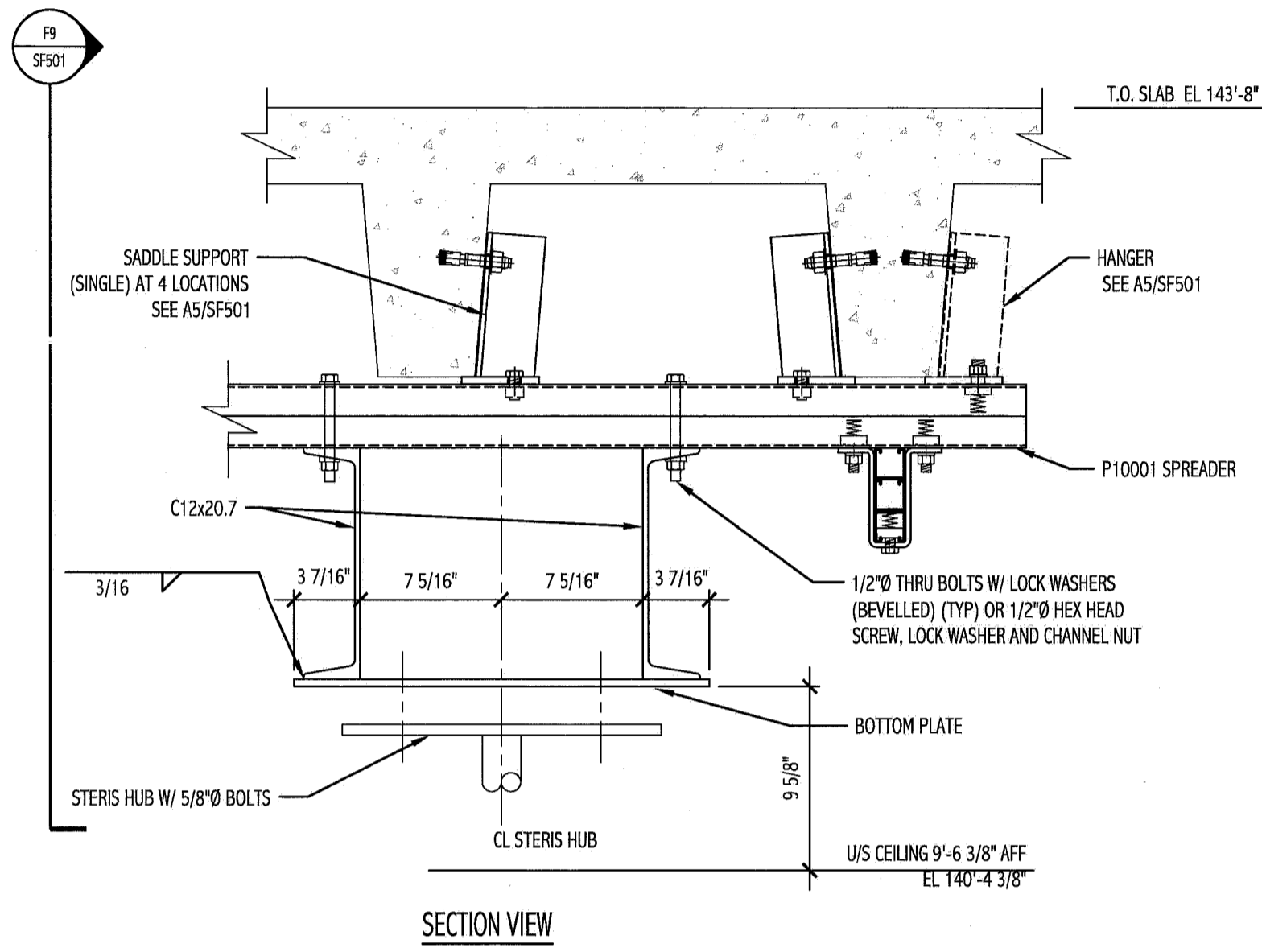
H1 TYPICAL TRENCH INFILL DETAIL
3/4"=1'-0"



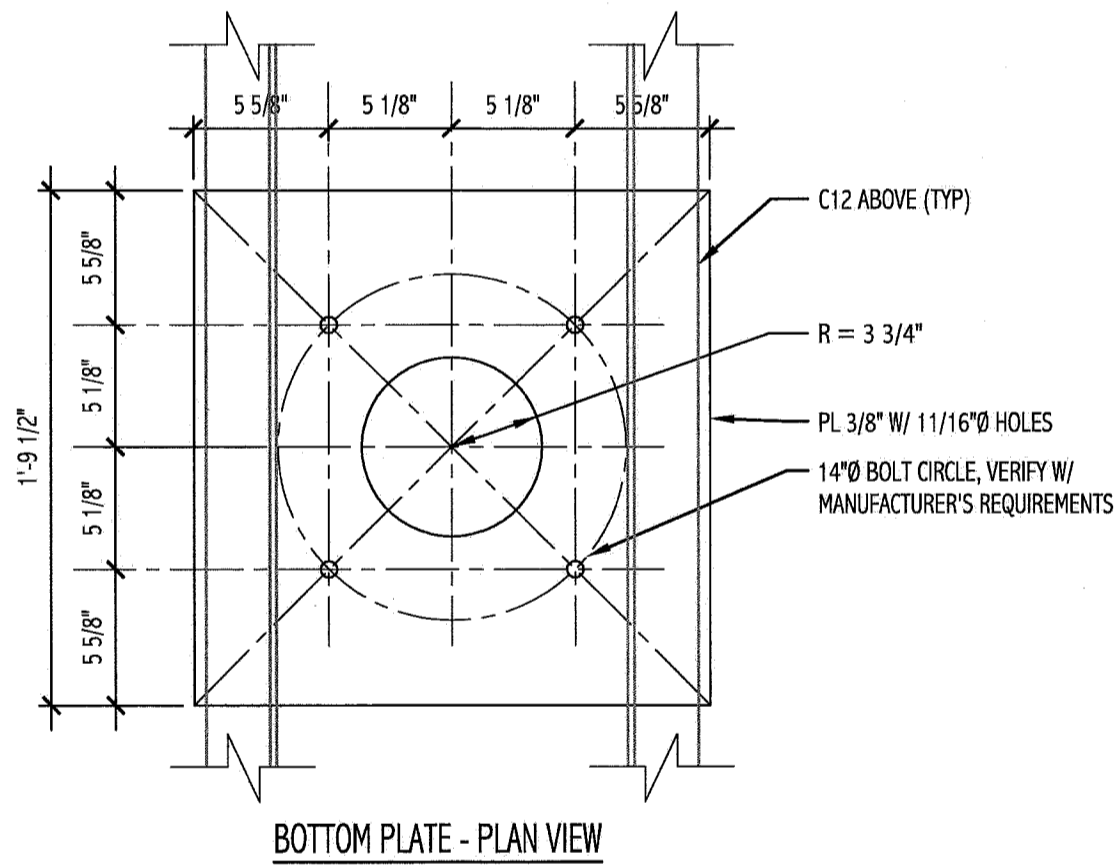
E1 SECTION
1 1/2"=1'-0"



A5 SECTION
1 1/2"=1'-0"

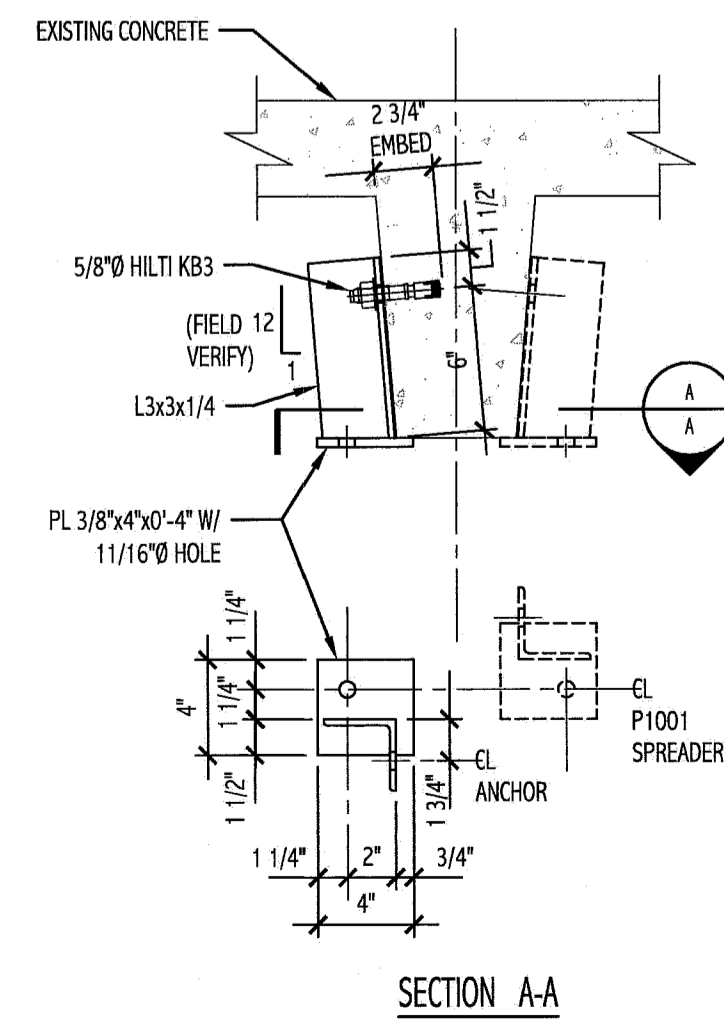


SECTION VIEW



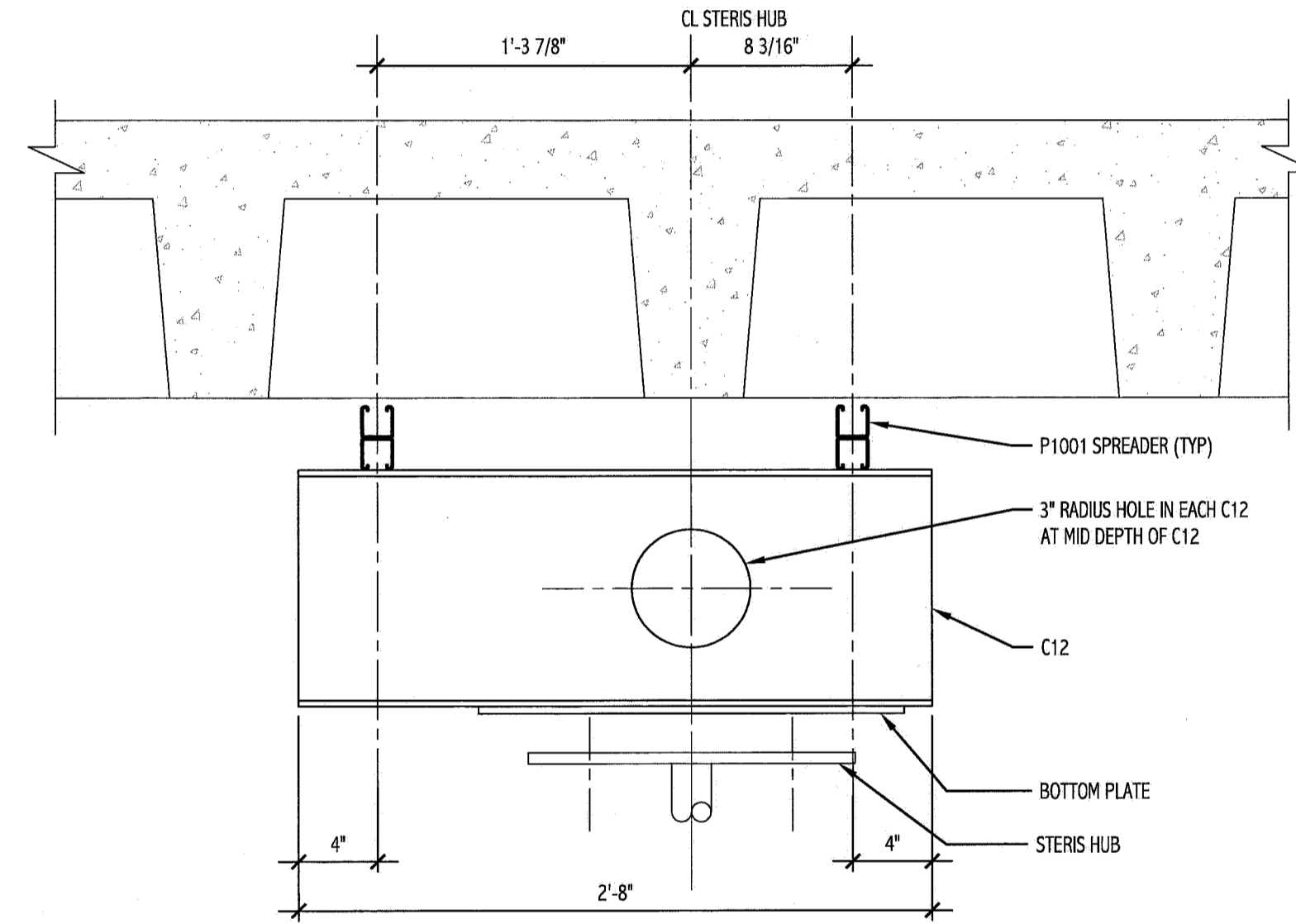
BOTTOM PLATE - PLAN VIEW

E5 SECTION - STERIS HARMONY LC SUPPORT
1 1/2"=1'-0"

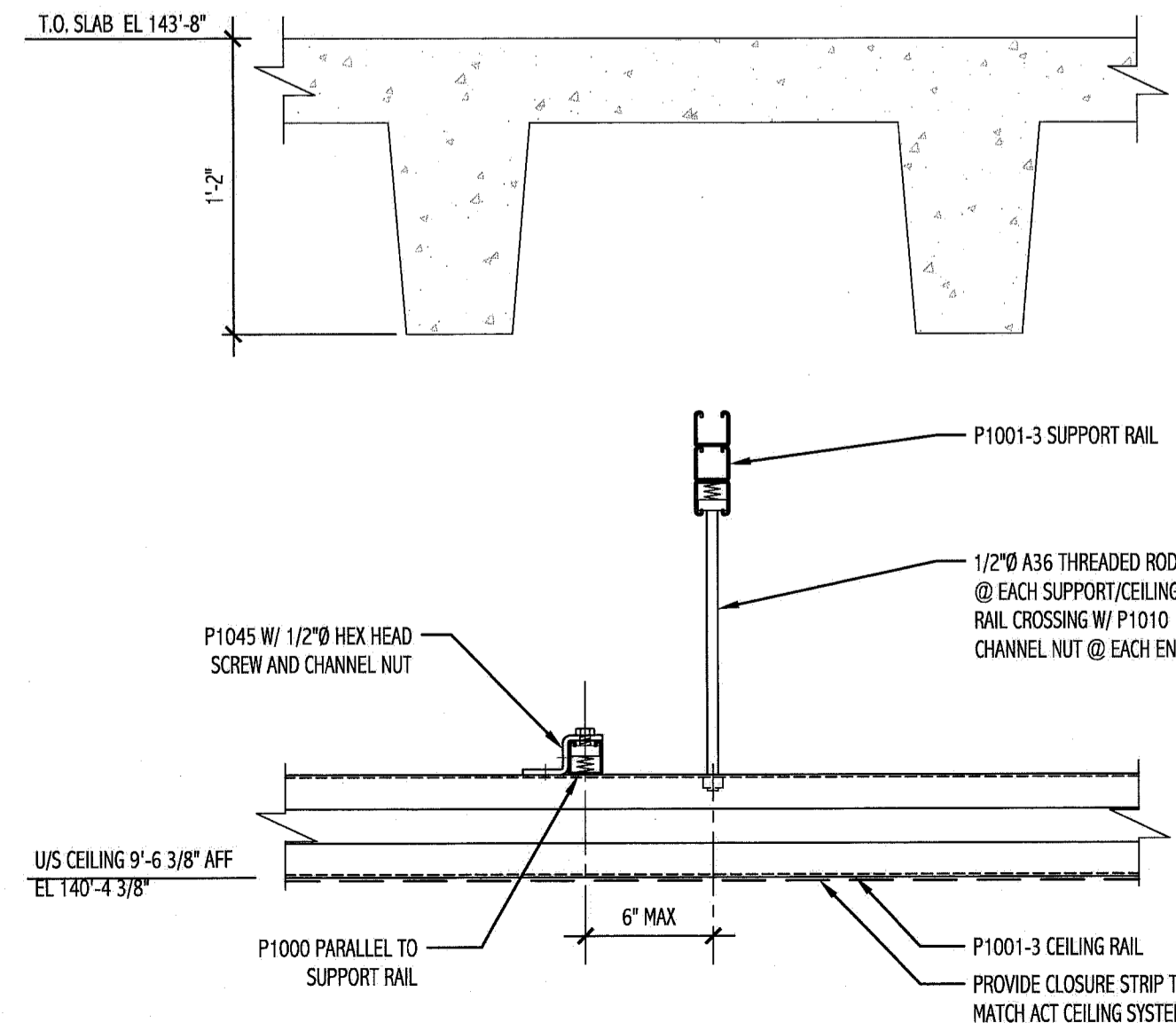


SECTION A-A

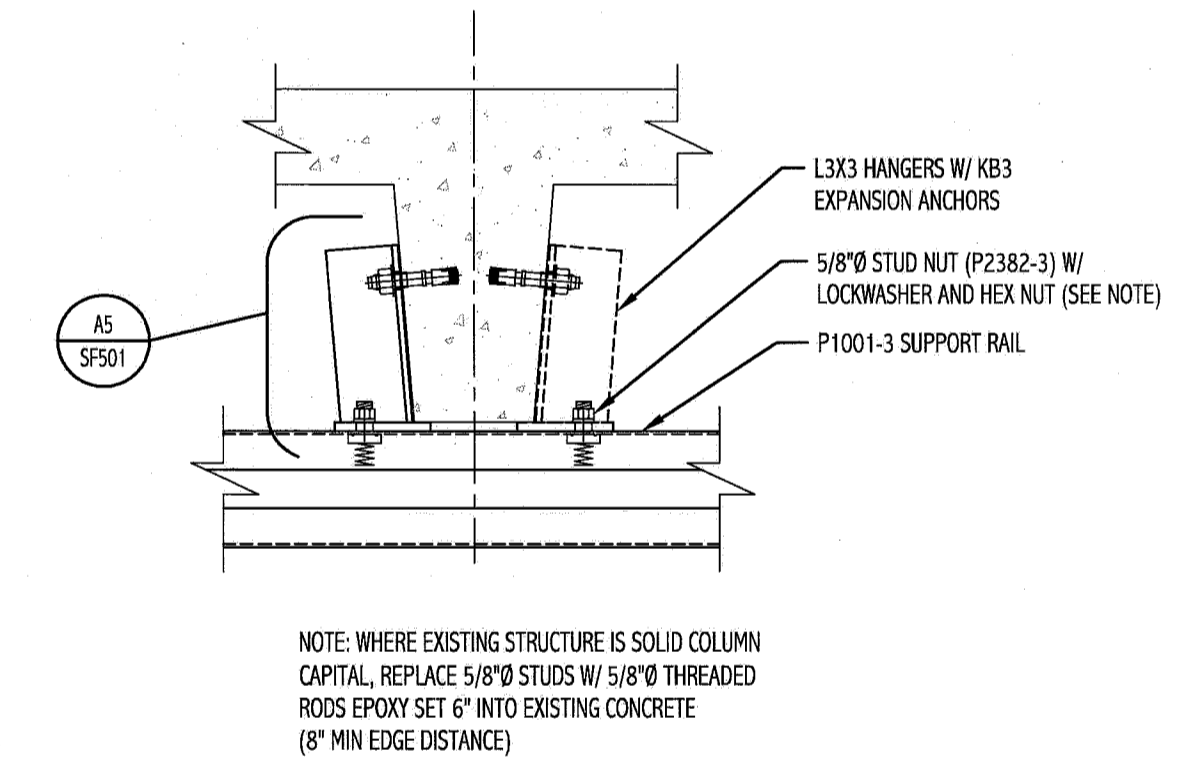
A5 SECTION
1 1/2"=1'-0"



F9 SECTION
1 1/2"=1'-0"

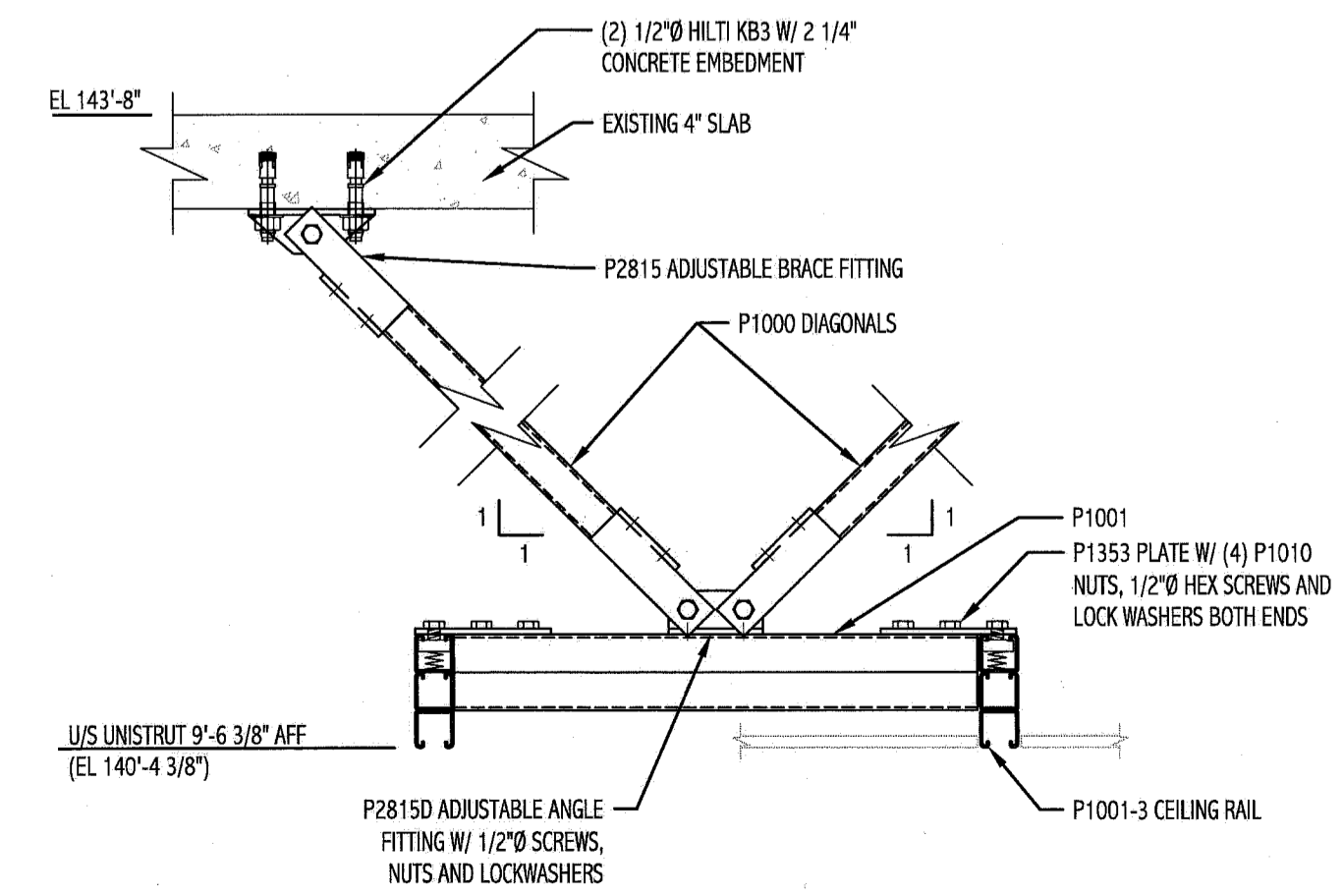


A8 SECTION
1 1/2"=1'-0"



NOTE: WHERE EXISTING STRUCTURE IS SOLID COLUMN CAPITAL, REPLACE 5/8\"/>

E13 SECTION
1 1/2"=1'-0"



A12 SECTION
1 1/2"=1'-0"

NO.	DESCRIPTION	DATE

GRAPHIC SCALE:



SCALE: As Indicated

PROJECT MANAGER: DIV

IC/DRAWN BY: SIF

A/E OF RECORD: ADR

PROJECT NO.: 11127

DATE: XXXXXX

SHEET TITLE:
**STRUCTURAL
DETAILS**