



4 BASEMENT FLOOR FINISH PLAN  
1/8" = 1'-0"

ROOM NUMBER	NAME	FLOOR				WALLS				CEILING		ROOM NUMBER	COMMENTS
		MAT'L	BASE	NORTH MAT'L	SOUTH MAT'L	EAST MAT'L	WEST MAT'L	MAT'L	HT				
B400	FLUORO 5	RUB-1/RUB-2	FC	PTD-1/3/4	PTD-1/3/4	PTD-1/3/4	PTD-1/3/4	EXISTING	EXISTING	B400	SEE ELEVATIONS FOR PTD LOCATIONS.		
B401	FLUORO 6	RUB-3/RUB-4	FC	PTD-1/3/5	PTD-1/3/5	PTD-1/3/5	PTD-1/3/5	EXISTING	EXISTING	B401	SEE ELEVATIONS FOR PTD LOCATIONS.		
B402	TOILET	EXISTING	EXISTING	EXISTING	EXISTING	EXISTING	EXISTING	EXISTING	EXISTING	B402			
B403	TOILET	EXISTING	EXISTING	EXISTING	EXISTING	EXISTING	EXISTING	EXISTING	EXISTING	B403			
B405	TECH. WORK	*VCT	*RB	*PTD	*PTD	*PTD	*PTD	*ACT	EXISTING	B405	*PATCH TO MATCH EXISTING.		
B407	READING RM.	EXISTING	*RB	*PTD	EXISTING	EXISTING	EXISTING	EXISTING	EXISTING	B407	*PATCH TO MATCH EXISTING.		
B408	TECH. WORK	*VCT	*RB	*PTD	*PTD	*PTD	*PTD	*ACT	EXISTING	B408	*PATCH TO MATCH EXISTING.		
B409	CLOSET	EXISTING	EXISTING	EXISTING	EXISTING	EXISTING	EXISTING	EXISTING	EXISTING	B409			
B410	WAITING	EXISTING	EXISTING	EXISTING	EXISTING	EXISTING	EXISTING	EXISTING	EXISTING	B410			
B412	TEMP. FLEX SPACE	EXISTING	EXISTING	EXISTING	EXISTING	EXISTING	EXISTING	EXISTING	EXISTING	B412			
B415	READING	*CPT	*RB	*PTD	*PTD	*PTD	*PTD	*ACT	EXISTING	B415	*PATCH TO MATCH EXISTING.		
B417	READING	*CPT	*RB	*PTD	*PTD	*PTD	*PTD	*ACT	EXISTING	B417	*PATCH TO MATCH EXISTING.		
B419	STORAGE	VCT-1	RB-1	PTD-1	PTD-1	PTD-1	PTD-1	ACT-1	SEE RCP	B419			
B421	HSPK	VCT-1	RB-1	FRP-1/PTD-1	FRP-1/PTD-1	FRP-1/PTD-1	FRP-1/PTD-1	ACT-1	SEE RCP	B421	FRP-1 UP TO 48" A.F.F., PTD ABOVE.		
B457	OFFICE	EXISTING	EXISTING	EXISTING	EXISTING	EXISTING	EXISTING	EXISTING	EXISTING	B457			
B459	OFFICE	EXISTING	EXISTING	EXISTING	EXISTING	EXISTING	EXISTING	EXISTING	EXISTING	B459			
B461	FILM/WORK	*CPT	*RB	*PTD	*PTD	*PTD	*PTD	*ACT	EXISTING	B461	*PATCH TO MATCH EXISTING.		
B462	READING	*CPT	*RB	*PTD	*PTD	*PTD	*PTD	*ACT	EXISTING	B462	*PATCH TO MATCH EXISTING.		
B463	STORAGE	VCT-1	RB-1	PTD-1	PTD-1	PTD-1	PTD-1	ACT-1	SEE RCP	B463			
B464	READING	*CPT	*RB	*PTD	*PTD	*PTD	*PTD	*ACT	EXISTING	B464	*PATCH TO MATCH EXISTING.		
B468	WORK ROOM	VCT-1	RB-1	PTD-1	PTD-1	PTD-1	PTD-1	ACT-1	SEE RCP	B468			
DC-B-RD2	CORRIDOR	EXISTING	EXISTING	EXISTING	EXISTING	EXISTING	EXISTING	EXISTING	EXISTING	DC-B-RD2			
ST-B18	STAIR 18	EXISTING	EXISTING	EXISTING	EXISTING	EXISTING	EXISTING	EXISTING	EXISTING	ST-B18			

FLOOR FINISH NOTES:

- REFER TO FLOOR FINISH PLAN FOR LAYOUT OF FLOOR FINISH MATERIALS. REFER TO SCHEDULES FOR ACTUAL MATERIALS USED.
- EACH SQUARE IN THE VCT FLOOR TILE GRID REPRESENTS A 12"x12" TILE.
- ALL NEW FLOORING MATERIALS TO RUN BENEATH NEW CASEWORK, UNLESS NOTED OTHERWISE.
- PROVIDE RESILIENT RUBBER FLOOR TRANSITIONS AT ALL REQUIRED LOCATIONS.

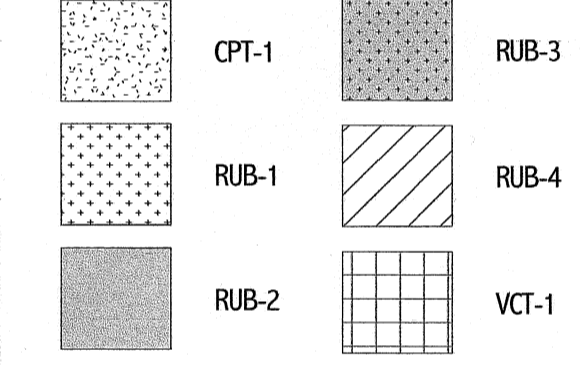
FINISH ABBREVIATIONS:

- ACT ACOUSTIC CEILING TILE
- CPT CARPET
- CR CHAIR RAIL
- CG CORNER GUARD
- FRP FIBERGLASS REINFORCED PLASTIC
- FC FLASH COVE
- GWB GYPSUM WALL BOARD
- PTD PAINT
- PLAM PLASTIC LAMINATE
- PWC PROTECTIVE WALL COVERING
- RCP REFLECTED CEILING PLAN
- RB RUBBER BASE
- RUB RUBBER SHEET FLOORING
- SSM SOLID SURFACE MATERIAL
- VCT VINYL COMPOSITION TILE
- WD WOOD

GENERAL FINISH NOTES:

- SEE MANUFACTURER'S SPECIFICATIONS FOR ADDITIONAL INFORMATION REGARDING FINISH MATERIALS.
- MATERIALS IN FINISH LEGEND ARE FROM MAINE MEDICAL CENTER'S FINISH STANDARDS. SUBSTITUTIONS WILL NOT BE ACCEPTED.
- DOOR AND WINDOW FRAMES TO BE PTD-2, UNLESS NOTED OTHERWISE.
- REFER TO RCP FOR SOFFIT HEIGHTS. ALL SOFFITS TO BE PTD-1, UNLESS NOTED OTHERWISE.
- ALL GWB CEILINGS TO BE PTD-1, UNLESS NOTED OTHERWISE.
- INTEGRAL BASE COLOR SHALL BE SYNONYMOUS WITH FLOOR COLOR AT THAT POINT, UNLESS NOTED OTHERWISE.
- ALL AREAS DISTURBED DURING CONSTRUCTION SHALL BE PATCHED TO MATCH EXISTING FINISHES.
- CONTRACTOR TO PERFORM ALKALINITY AND ADHESION TESTS (ASTM F 1869 & 2170) RECOMMENDED BY FLOORING MANUFACTURER FOR EACH TYPE OF FLOORING. PROCEED WITH INSTALLATION ONLY AFTER SUBSTRATES PASS TESTING. VERIFY RESULTS WITH FLOORING MANUFACTURER. CONTRACTOR TO CARRY ALLOWANCE FOR TOPICAL TREATMENT IF REQUIRED, KOESTER OR EQUAL.

FLOOR MATERIAL LEGEND:



FINISH LEGEND:

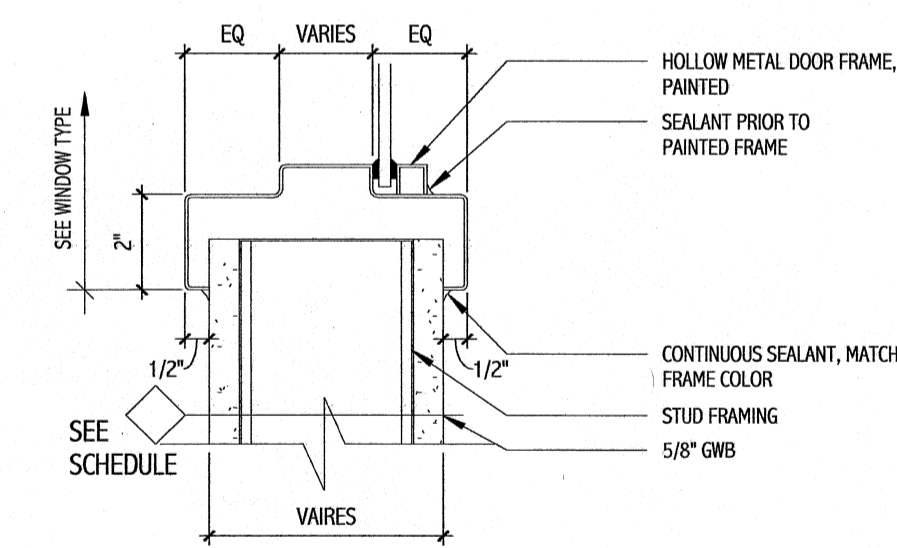
- ACOUSTIC CEILING TILE:  
ACT-1 USG, MARS CLIMAPLUS, #8985, 24"x24"x3/4", WHITE, WITH DXL SUSPENSION SYSTEM
- CARPET:  
CPT-1 TANDUS, CROSSLEY, BROADLOOM, 30313 FIRST IMPRESSIONS, COLOR: 08604 GREAT TAN
- CHAIR RAIL:  
CR-1 MATCH EXISTING, SEE 7/A-600 FOR DETAIL
- CORNER GUARD:  
CG-1 \*CG HEIGHT TO EXTEND FROM TOP OF BASE TO TOP OF DOOR FRAME (7'-2"), TYP.  
CG-2 C/S ACROVYN 90°, SM SERIES, 2" WING, APPLIED, COLOR: 108 BLACK  
CG-3 C/S ACROVYN 90°, SM SERIES, 2" WING, APPLIED, COLOR: 933 MISSION WHITE  
CG-4 C/S ACROVYN END WALL GUARD, SM SERIES, 2" WING, APPLIED, COLOR: 933 MISSION WHITE
- FIBERGLASS REINFORCED PLASTIC:  
FRP-1 MARLITE, PEBBLED SURFACE, P199 BRIGHT WHITE
- PAINT:  
PTD-1 ICI PAINTS, (FIELD), #739 ANTIQUE WHITE  
PTD-2 ICI PAINTS, (DOOR/WINDOW TRIM), MMG#1 MEDIUM TRAUPE  
PTD-3 ICI PAINTS, (ACCENT), #114 SOUVENIR  
PTD-4 ICI PAINTS, (ACCENT), #1137 FLAGSTONE  
PTD-5 ICI PAINTS, (ACCENT), #1492 BLUE DOOR  
PTD-6 ICI PAINTS, (ACCENT), #1673 DARK SECRET, FLAT
- PLASTIC LAMINATE:  
PLAM-1 PIONITE, HONEY MAPLE, WM951 SUEDE  
PLAM-2 PIONITE, KALE FIBER, AV861 SUEDE  
PLAM-3 PIONITE, CRADLE OF LIBERTY, AB221 SUEDE
- RUBBER BASE:  
RB-1 JOHNSONITE, 4" TRADITIONAL COVE BASE, USE MANUFACTURER'S LONG AVAILABLE COIL LENGTH, COLOR: 80 FAWN
- RUBBER SHEET FLOORING:  
RUB-1 NORA, NORAPLAN ENVIRONCARE, 3.0 MM SHEET, HEAT-WELD SEAMS, COLOR: 2784 SILVER CROWN  
RUB-2 NORA, NORAPLAN ENVIRONCARE, 3.0 MM SHEET, HEAT-WELD SEAMS, COLOR: 2780 PHANTOM MIST  
RUB-3 NORA, NORAPLAN ENVIRONCARE, 3.0 MM SHEET, HEAT-WELD SEAMS, COLOR: 2942 EVENING BLOOM  
RUB-4 NORA, NORAPLAN ENVIRONCARE, 3.0 MM SHEET, HEAT-WELD SEAMS, COLOR: 2962 CINNAMON BARK
- SOLID SURFACE MATERIAL:  
SSM-1 CORIAN, DOESKIN  
SSM-2 CORIAN SINK, MODEL #820, COLOR: BISQUE
- VINYL COMPOSITION TILE:  
VCT-1 ARMSTRONG, STANDARD EXCELON, IMPERIAL TEXTURE, COLOR: SANDY BEACH 51929
- WOOD (DOORS):  
WD-1 MATCH EXISTING WOOD SPECIES, CUT AND FINISH

DOOR AND FRAME SCHEDULE (FLUORO)													
DOOR #	DOOR			FRAME					HARDWARE SET	FIRE RATING	REMARKS		
	WIDTH	HEIGHT	THICK	MAT'L	ELEV	GLAZ	MAT'L	ELEV				HEAD	JAMB
B400	EXISTING	EXISTING	EXISTING										VERIFY 1/16" EQUIVALENT LEAD LINING
B401	EXISTING	EXISTING	EXISTING										VERIFY 1/16" EQUIVALENT LEAD LINING
B407	3'-0"	7'-0"	1 3/4"	WD	F		HM	1	1/A-601	2/A-601	-	HW-1	

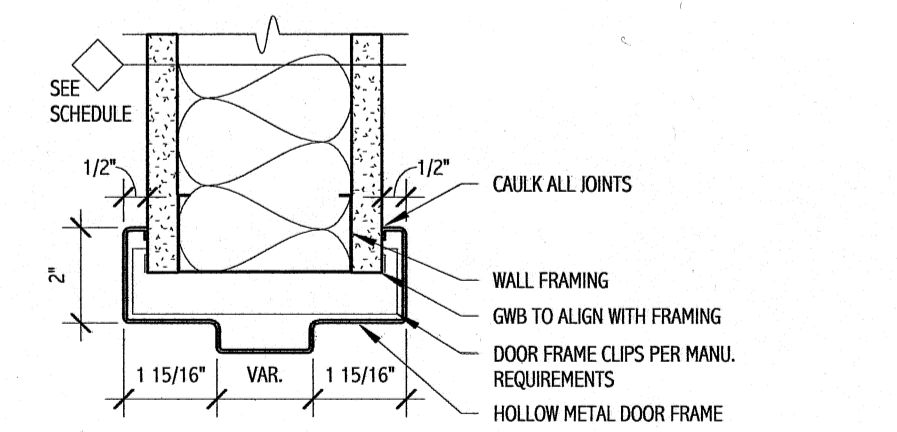
DOOR AND FRAME SCHEDULE (READING ROOM)													
DOOR #	DOOR			FRAME					HARDWARE SET	FIRE RATING	REMARKS		
	WIDTH	HEIGHT	THICK	MAT'L	ELEV	GLAZ	MAT'L	ELEV				HEAD	JAMB
B461	EXISTING	EXISTING	EXISTING										CARD READER ACCESS
B462	3'-0"	7'-0"	1 3/4"	WD	F		HM	1	1/A-601	2/A-601		HW-1	CARD READER ACCESS
B463	3'-0"	7'-0"	1 3/4"	WD	F		HM	1	1/A-601	2/A-601		HW-2	
B464	3'-0"	7'-0"	1 3/4"	WD	F		HM	1	1/A-601	2/A-601		HW-1	CARD READER ACCESS
B465	EXISTING	EXISTING	EXISTING										
B488	3'-0"	7'-0"	1 3/4"	WD	F		HM	1	1/A-601	2/A-601		HW-2	RELOCATE EXISTING
B421	3'-0"	7'-0"	1 3/4"	WD	F		HM	1	1/A-601	2/A-601		HW-2	

DOOR HARDWARE:

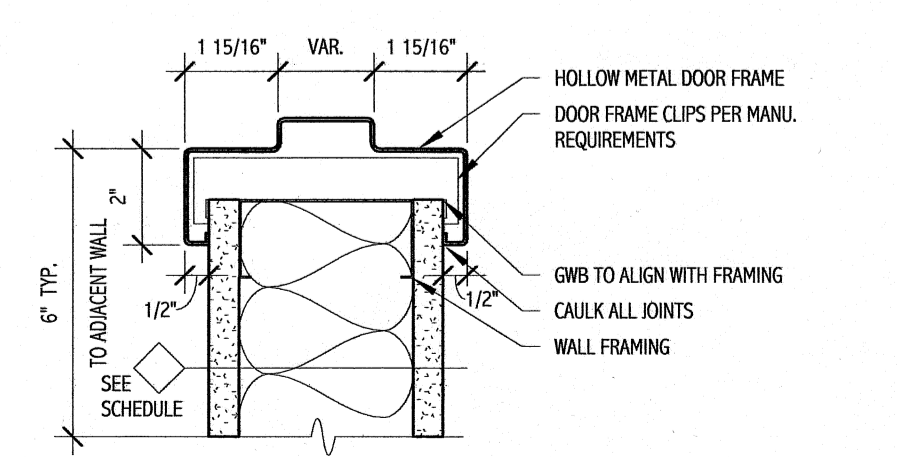
- HW-1 (STAFF) - HINGES, LOCKSET (STORAGE FUNCTION), ELECTRIC STRIKE ACTIVATED BY CARD READER (BY OTHERS), CLOSER, KICK PLATE
- HW-2 (STORAGE) - HINGES, LOCKSET (STORAGE FUNCTION), CLOSER, STOP



3 WINDOW DETAIL - INTERIOR  
3" = 1'-0"

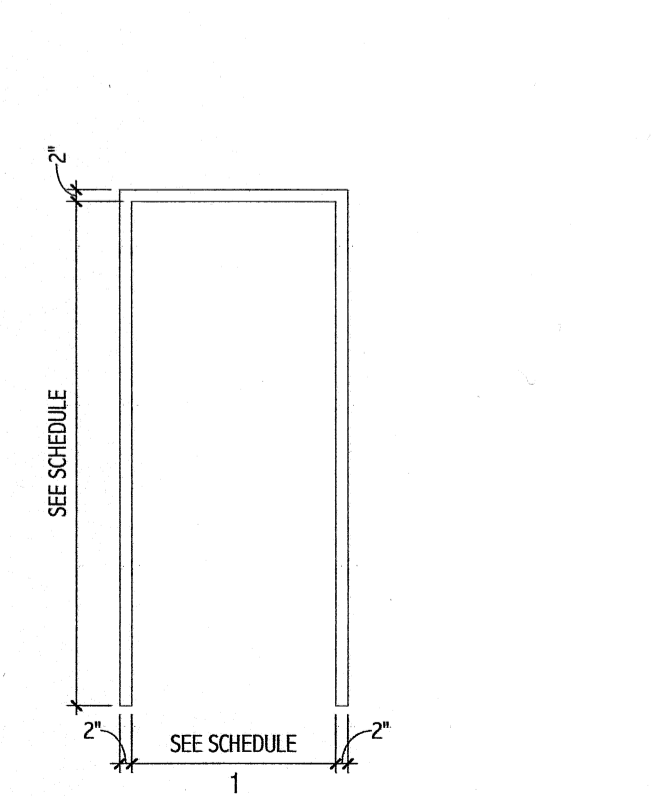


1 DOOR HEAD DETAIL  
3" = 1'-0"

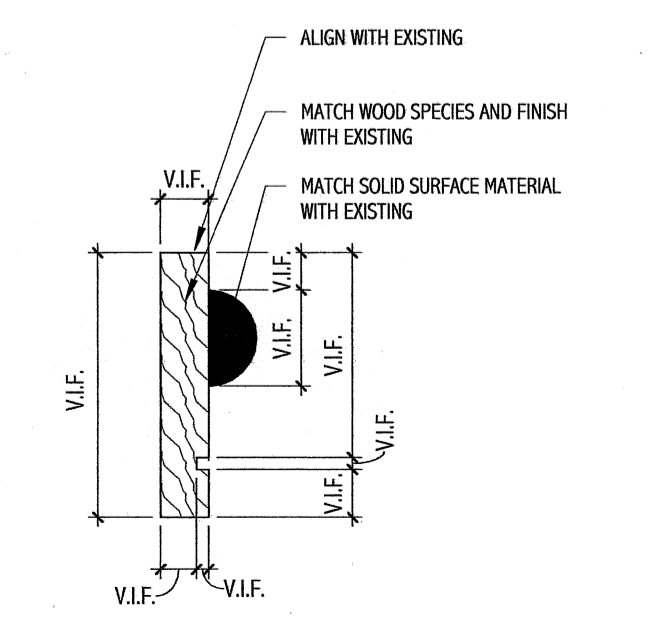


2 DOOR JAMB DETAIL  
3" = 1'-0"

5 DOOR LEAF TYPES  
1/4" = 1'-0"



DOOR FRAME LEGEND  
3/8" = 1'-0"



7 EXISTING CHAIR RAIL DETAIL  
3" = 1'-0"

144 Free Street P.O. Box 618  
Portland, Maine 04104  
Tel. (207) 772-3846  
Fax. (207) 772-1070  
www.smri.com

ARCHITECTURE  
ENGINEERING  
PLANNING  
INTERIOR DESIGN  
COMMISSIONING

**SMRI**

LICENSED ARCHITECT  
DEREK J. VELLEUX  
No. 10000  
STATE OF MAINE  
B. 24.10

PROJECT NORTH

BRANNHALL RADIOLOGY  
FLUORO RENOVATIONS  
ISSUED FOR CONSTRUCTION 8.24.10

CURRENT ISSUE STATUS:

NO.	ISSUED FOR CONSTRUCTION	DATE
0		8.24.10

GRAPHIC SCALE:  
0" 1"

SCALE: As indicated

PROJECT MANAGER: DIV  
DRAWN BY: ART  
A/E OF RECORD: DIV  
PROJECT NO.: 09022-02  
DATE: 8.24.10

SHEET TITLE:  
INTERIOR FINISHES,  
SCHEDULES &  
DETAILS

SHEET NO. A-600