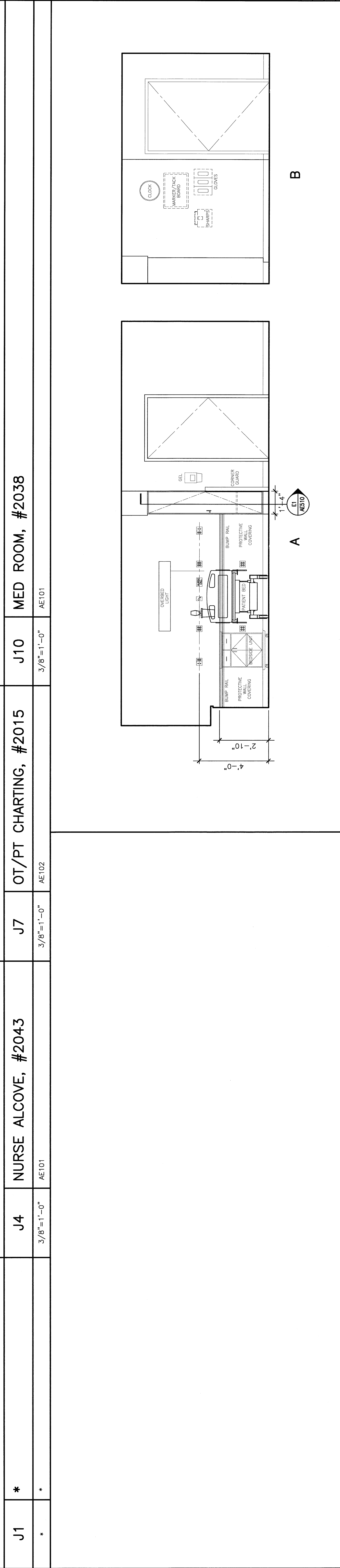
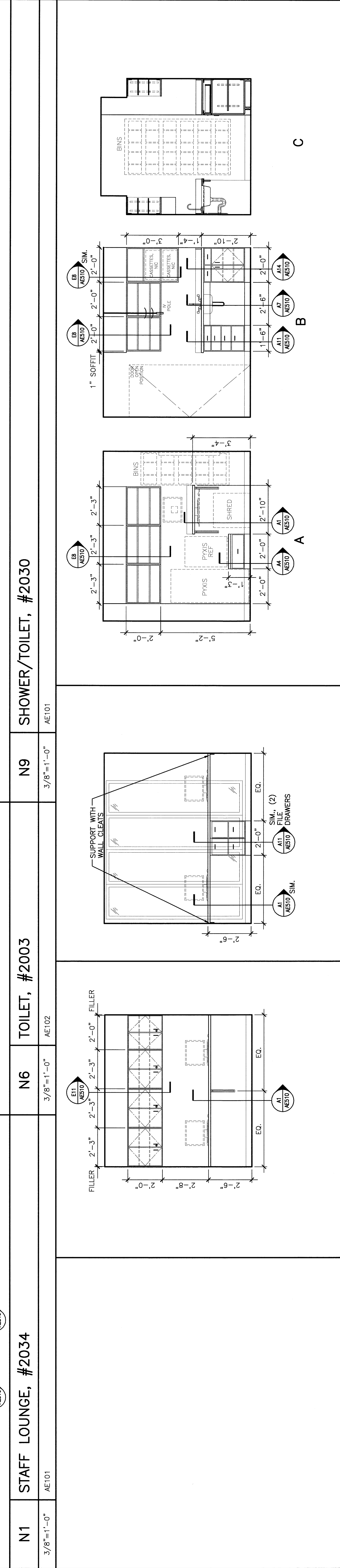
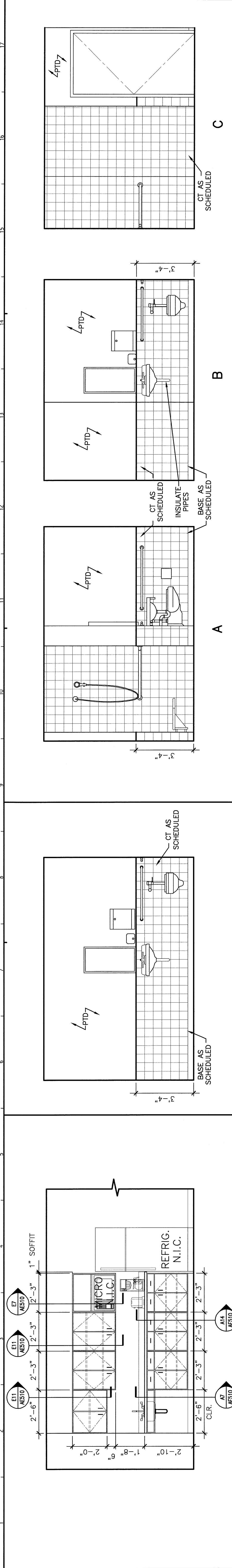


**NOTES:**

1. SEE GENERAL NOTES ON 01002.
2. SEE A-E110 FOR ADDITIONAL DETAIL INFORMATION.

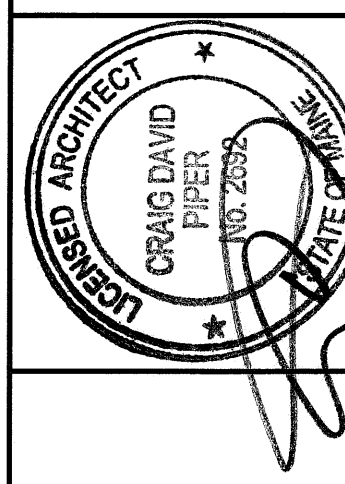


N1	STAFF LOUNGE, #2034	AE101	3/8"=1'-0"	N6	TOILET, #2003	AE102	3/8"=1'-0"	N9	SHOWER/TOILET, #2030	AE101	3/8"=1'-0"	J1	*	AE101	3/8"=1'-0"	J4	NURSE ALCOVE, #2043	AE101	3/8"=1'-0"	J7	OT/PT CHARTING, #2015	AE102	3/8"=1'-0"	J10	MED ROOM, #2038	AE101	3/8"=1'-0"	E1	*	AE101	3/8"=1'-0"	E9	PATIENT ROOM, #2031	AE101	3/8"=1'-0"
----	---------------------	-------	------------	----	---------------	-------	------------	----	----------------------	-------	------------	----	---	-------	------------	----	---------------------	-------	------------	----	-----------------------	-------	------------	-----	-----------------	-------	------------	----	---	-------	------------	----	---------------------	-------	------------

REV.	0	ISSUED FOR CONSTRUCTION	9-12-08
DESCRIPTION			DATE

ISSUED FOR CONSTRUCTION  
9-12-08

CURRENT ISSUE STATUS:



144 Fore Street, 2nd Floor  
Portland, Maine 04104  
Tel: (207) 723-3846  
Fax: (207) 723-1070  
www.smri.com



ARCHITECTURE  
ENGINEERING  
PLANNING  
INTERIOR DESIGN  
COMMISSIONING

MAINE MEDICAL CENTER - LL BEAN WING 2ND FLOOR  
INPATIENT SERVICES  
PORTLAND, MAINE

**INTERIOR ELEVATIONS**

SHEET TITLE:	AS NOTED	DATE:	9-12-08
SCALE:	CP	GRAPHIC SCALE:	0' 1'
PROJECT MANAGER:	MJR		
JOB CADD/INW:	CP		
DATE OF RECORD:	CP		
SHEET CADD FILE:	AE101-0809	SHEET No.:	AE210
PROJECT No.:	0809		