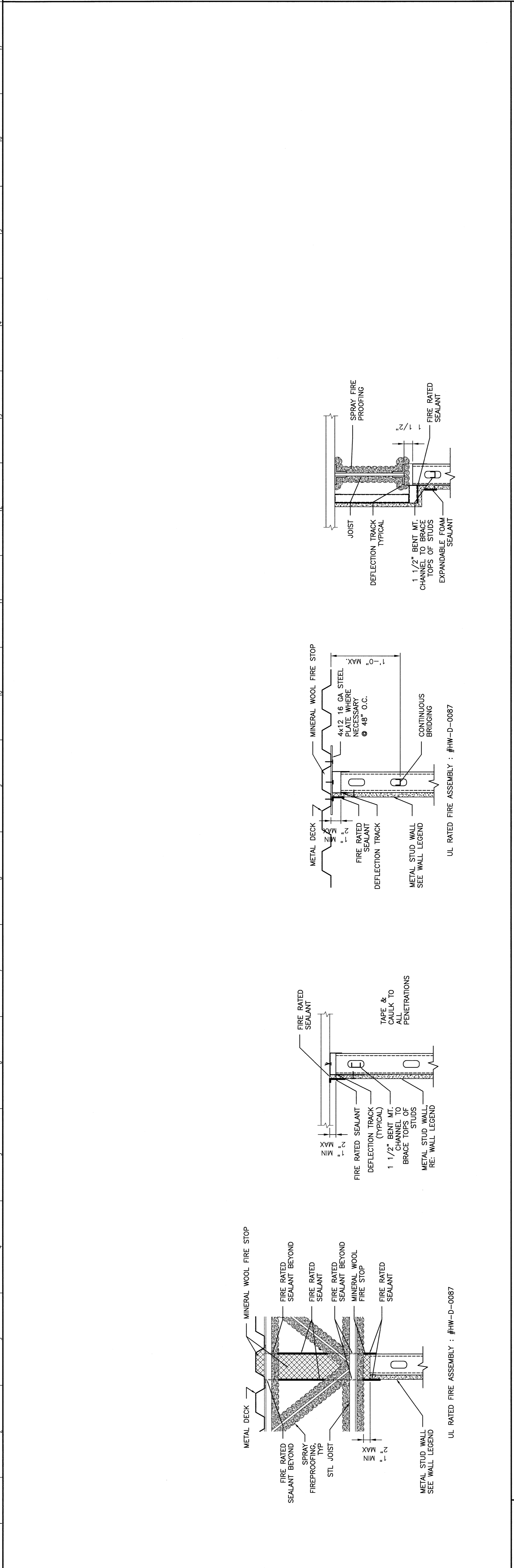


GENERAL NOTES:

- DO NOT SCALE THE DRAWINGS.
- FIELD DIMENSIONS AND LAYOUT FROM TO FIELD DIMENSIONS AND LAYOUT FROM TO DISCREPANCIES OR INCONSISTENCIES, FAILURE TO REPORT ANY DISCREPANCIES WITHIN THESE CONSTRUCTION DOCUMENTS TO THE ARCHITECT WILL BE GROUNDS FOR ADDITIONAL COST OR CHANGE ORDERS.
- "PROVIDE" MEANS "FINISH AND INSTALL".
- THE CONTRACTOR SHALL BE RESPONSIBLE FOR PROVIDING ALL MATERIALS AND LABOR NECESSARY TO COMPLY WITH FEDERAL, STATE, CITY AND LOCAL BUILDING CODES AND THEIR REQUIREMENTS.
- THE CONTRACTOR AND ALL TRADES SHALL NOTE REQUIREMENTS OF "GENERAL NOTES" ON ALL SHEETS.
- REFER TO LARGE SCALE PLANS FOR PARTITION TYPES AND DIMENSIONS IN AREAS WHICH ARE DETAILED AT A LARGER SCALE.
- EACH TRADE TO PROVIDE SMOKE OR FIRE SEALANT AT PENETRATIONS AS REQUIRED FOR WALL TYPE, ALL SEALANT SHALL BE UL RATED, AND SMOKE STOPPING ASSEMBLIES SHALL BE UL RATED.
- DIMENSIONS ARE FACE OF CONCRETE, FACE OF MASONRY, AND CENTERLINE OF INTERIOR STUD PARTITIONS; EXTERIOR STUD PARTITIONS ARE DIMENSIONED TO EXTERIOR FACE OF STUD, UNLESS INDICATED OTHERWISE.
- REFER TO SHEET G007 FOR TYPICAL MOUNTING HEIGHTS OF PLUMBING FIXTURES & MISCELLANEOUS ITEMS.
- REFER TO ALL CONSTRUCTION DOCUMENTS FOR REQUIREMENTS WHICH MAY AFFECT THE WORK AND COORDINATE SAME.
- REFERENCE DETAILS AND ENLARGED PLANS FOR ADDITIONAL DIMENSIONAL INFORMATION.
- DOOR JAMBS SHALL BE LOCATED 6" FROM CORNER IN STUD PARTITIONS AND 8" FROM CORNER IN MASONRY PARTITIONS, UNLESS INDICATED OTHERWISE.
- REFERENCE STRUCTURAL DRAWINGS FOR LOCATIONS OF FLOOR OPENINGS FOR HVAC DUCTS.
- FLOOR CONSTRUCTION FUNCTIONS AS SMOKE BARRIER. DUCT PARTITIONS WHICH TERMINATE 6 INCHES ABOVE CEILING HEIGHT UNLESS NOTED OTHERWISE. DESIGN/BUILD MECHANICAL AND ELECTRICAL SHALL BE RESPONSIBLE FOR PROVIDING SMOKE BARRIER CONSTRUCTION AT FLOOR PENETRATIONS; DUCTS PENETRATING FLOOR ASSEMBLIES SHALL BE PROVIDED WITH SMOKE DAMPERS.

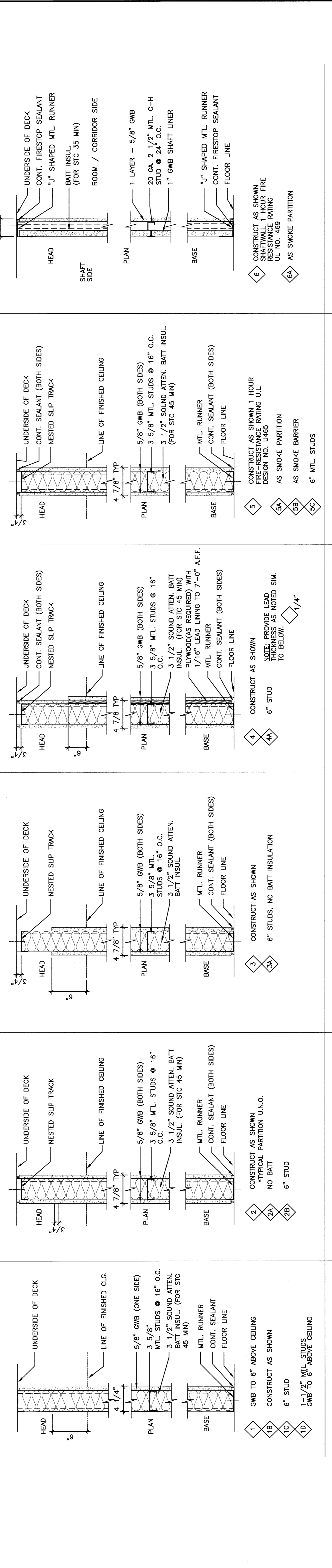
PARTITION NOTES:

- PARTITION TYPE DRAWINGS ARE DIAGRAMS ONLY, AND ARE NOT TO SCALE.
- ALL BATT INSULATION IS TO BE CONTINUOUS FULL THICKNESS AND FULL HEIGHT UNLESS NOTED OTHERWISE.
- NON-RATED PARTITIONS FOR DUCT ENCLOSURES TO TERMINATE 6" ABOVE CEILING; COORDINATE WITH TENANT IMPROVEMENTS.



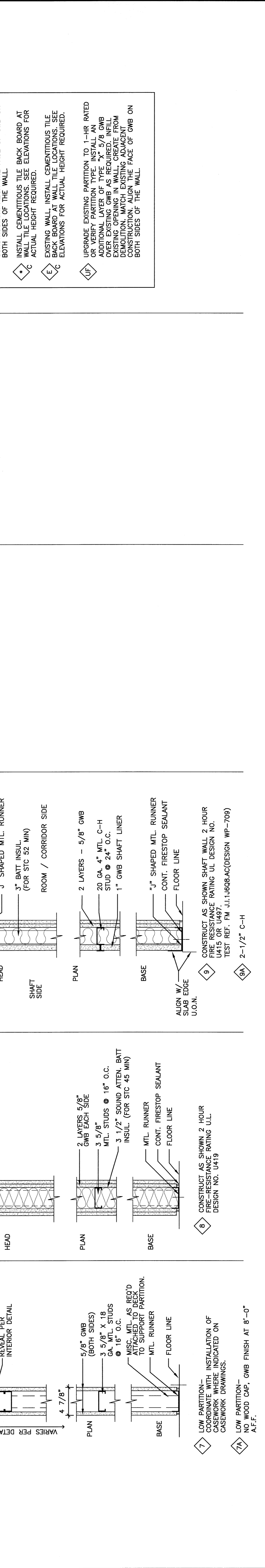
A1 TOP OF WALL DETAILS

N.T.S.



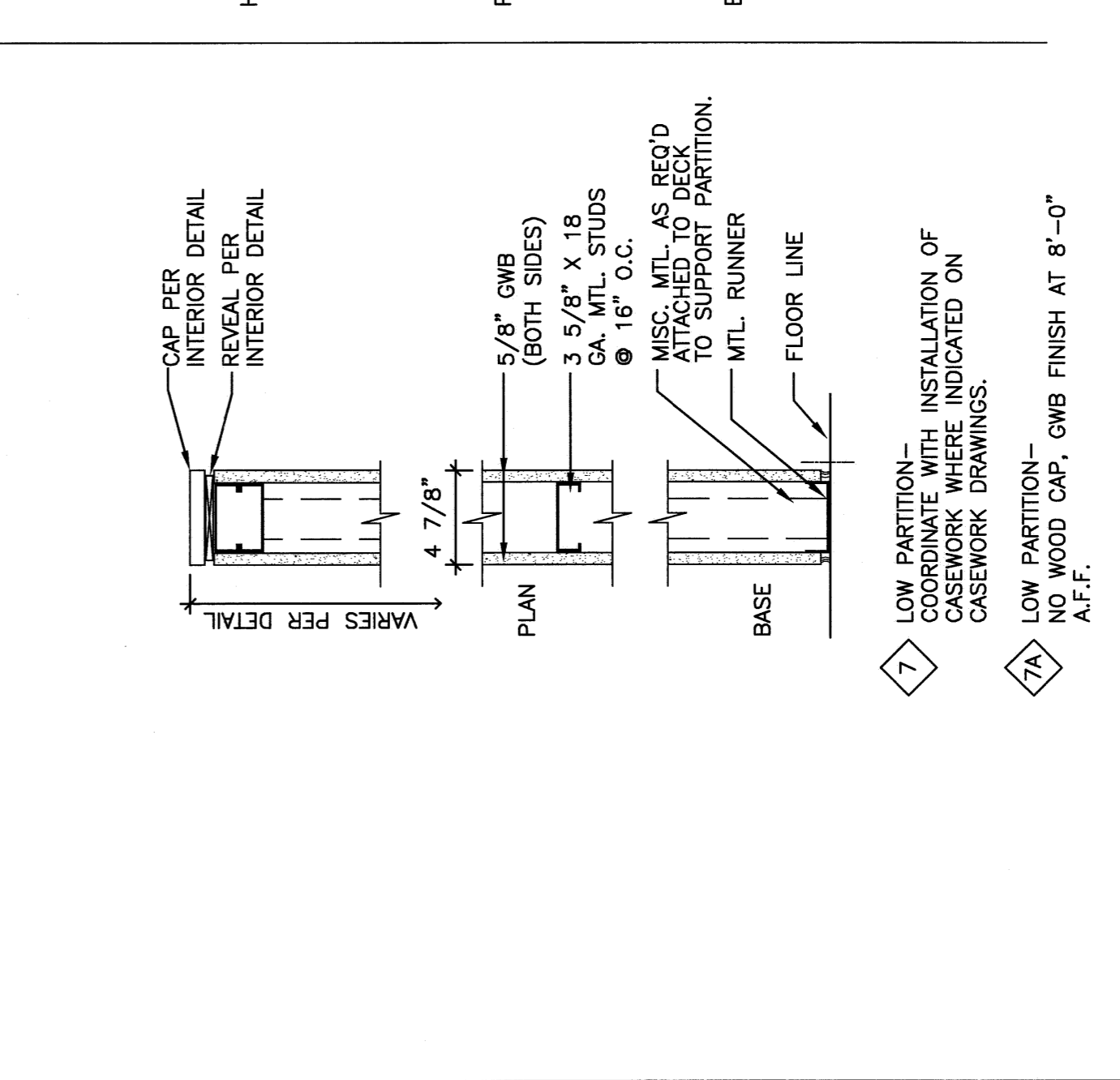
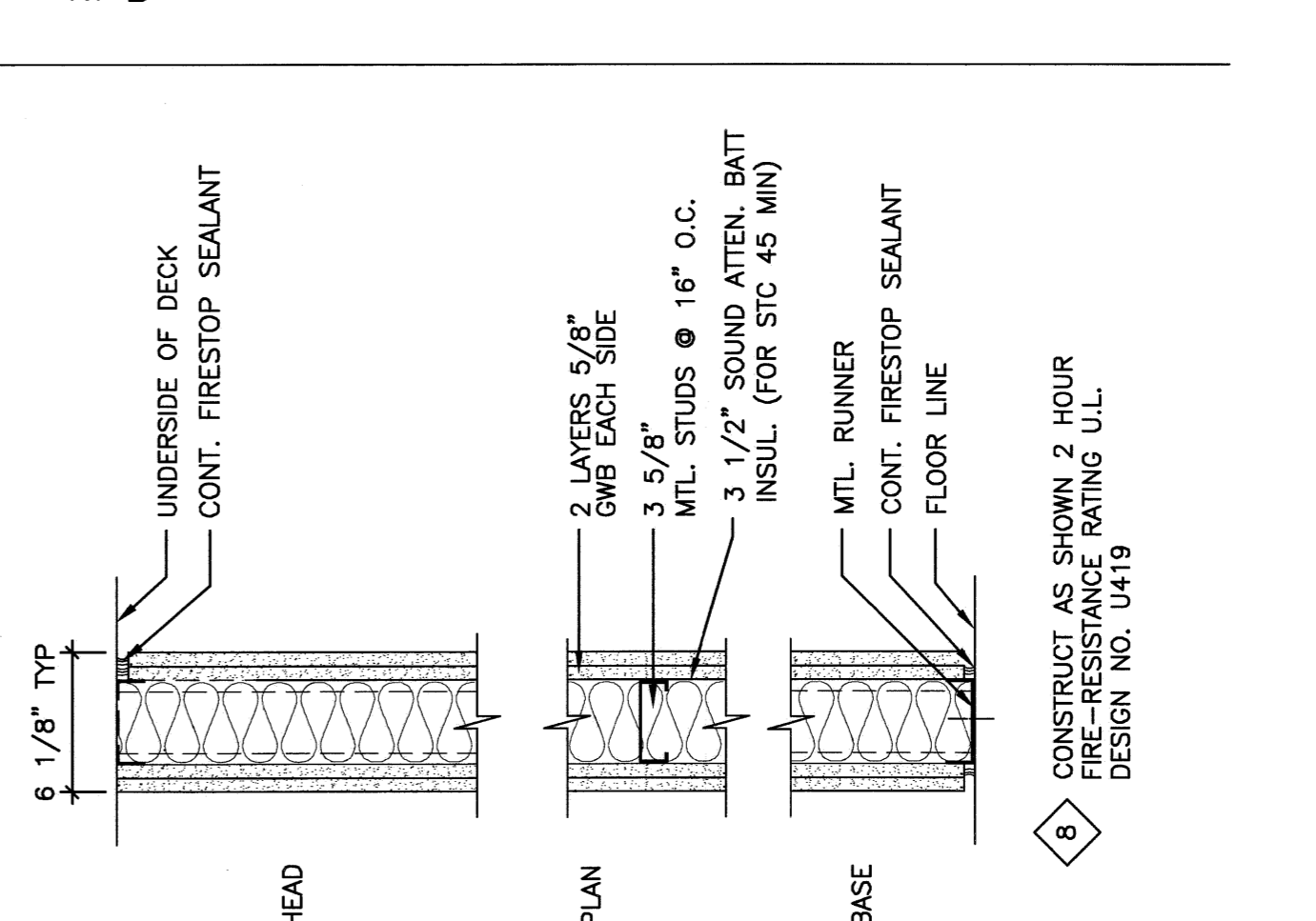
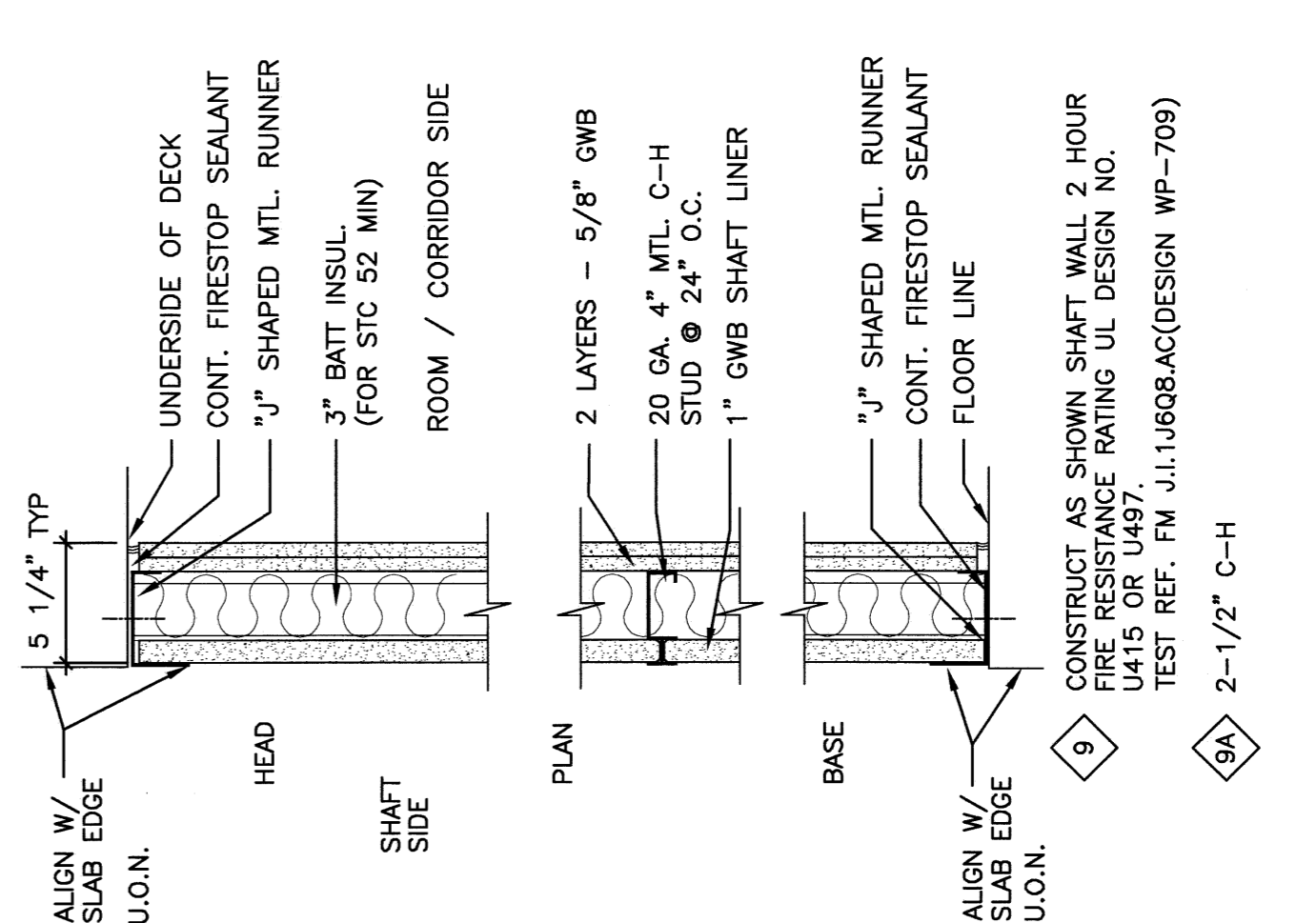
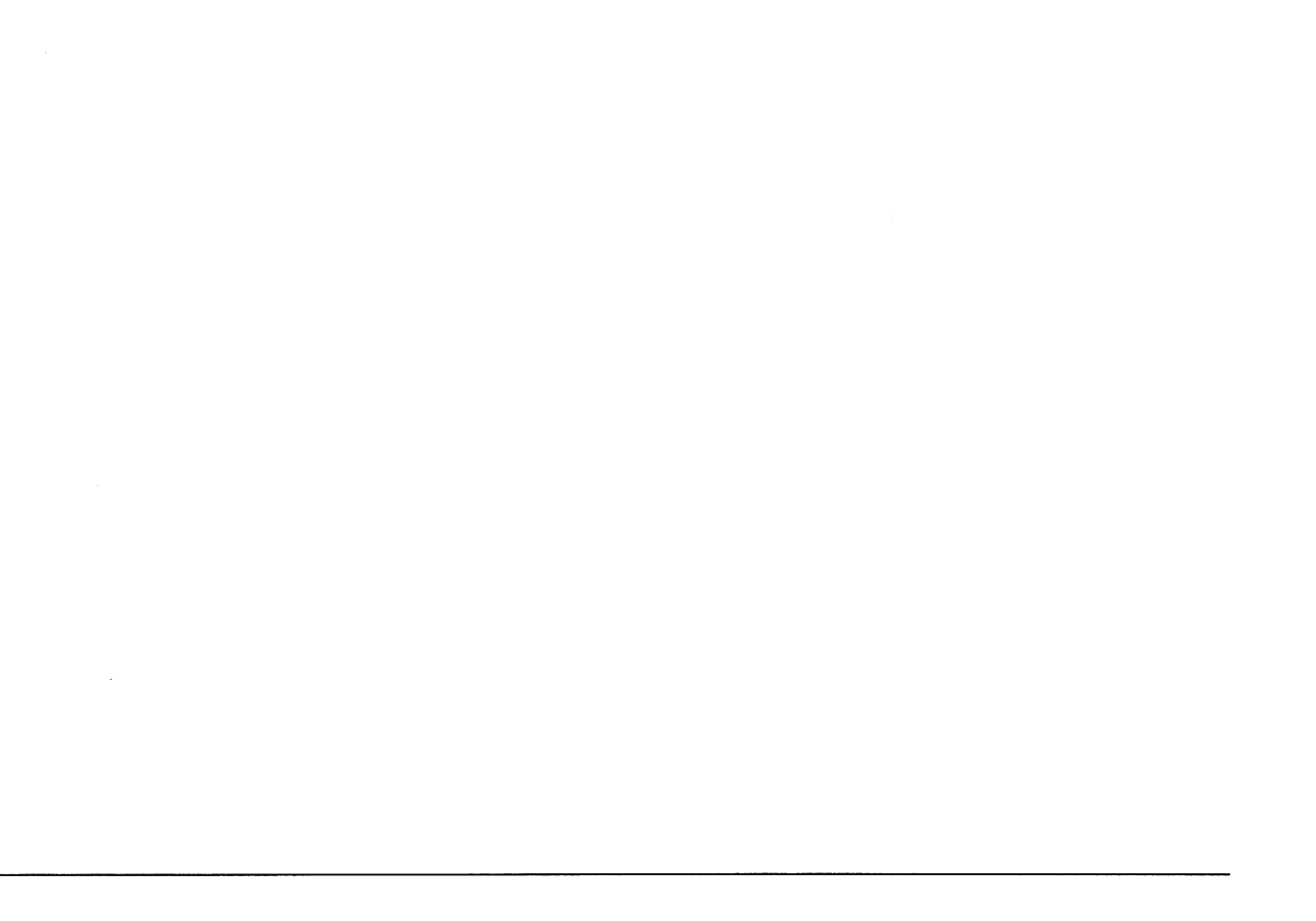
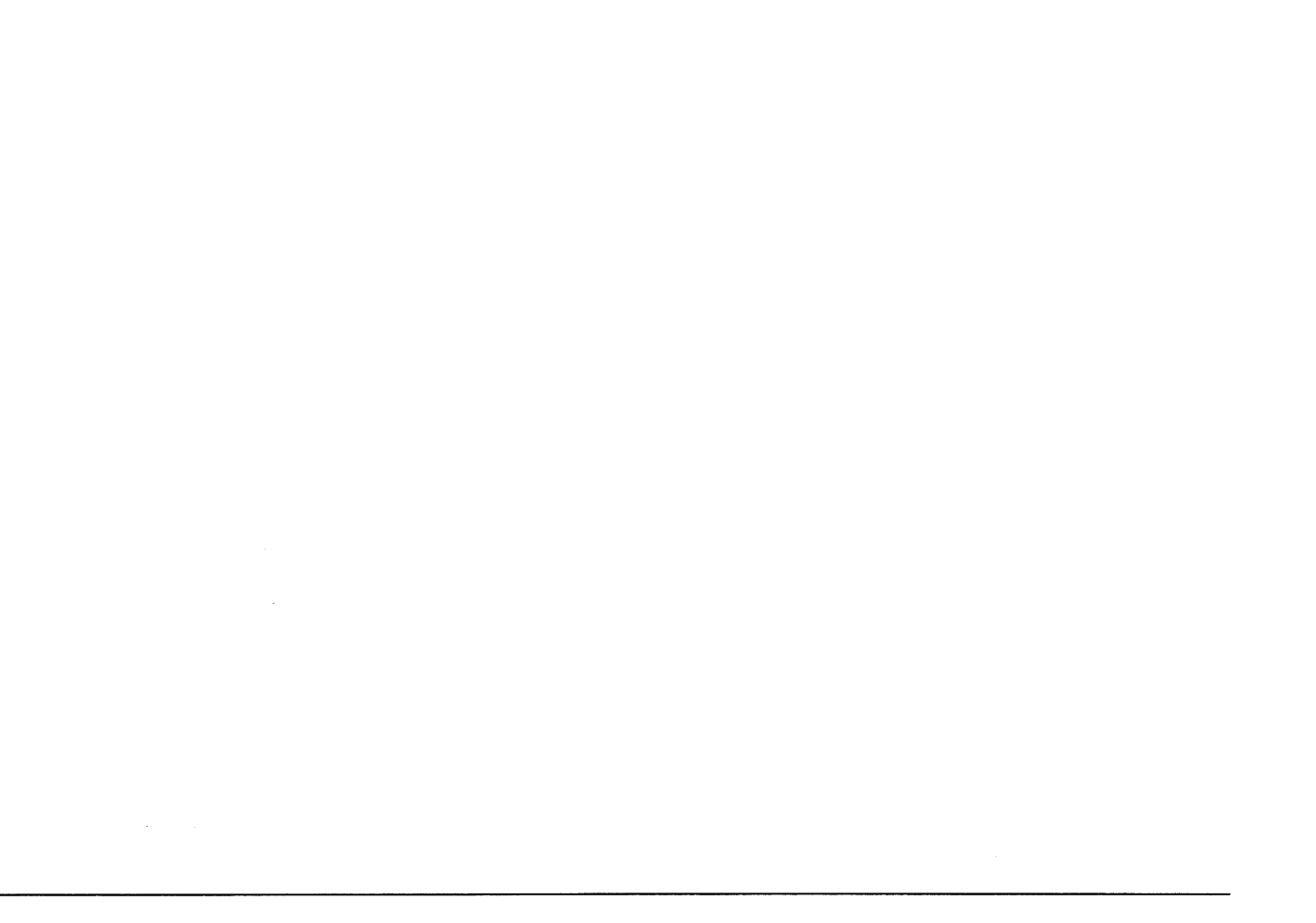
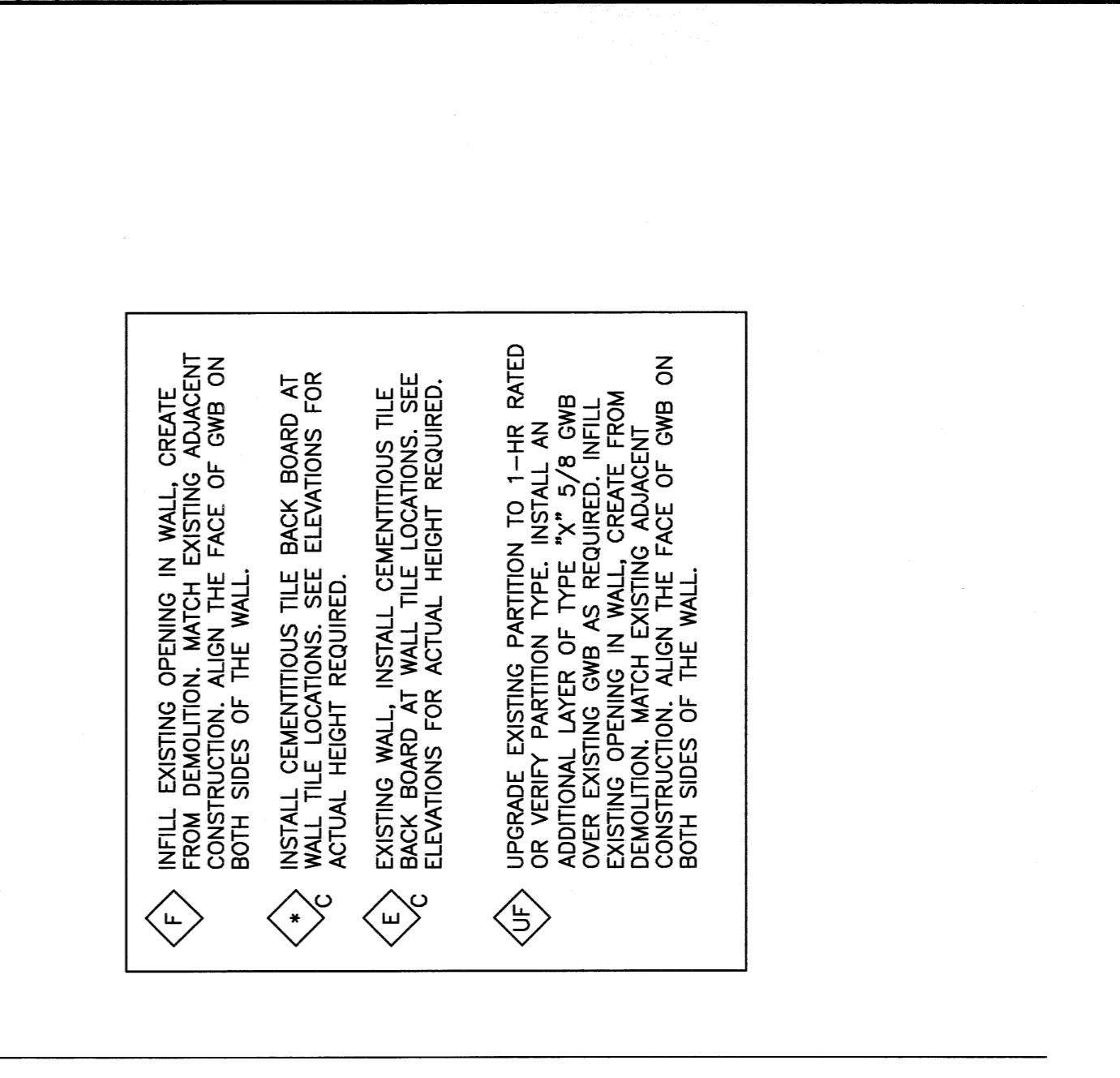
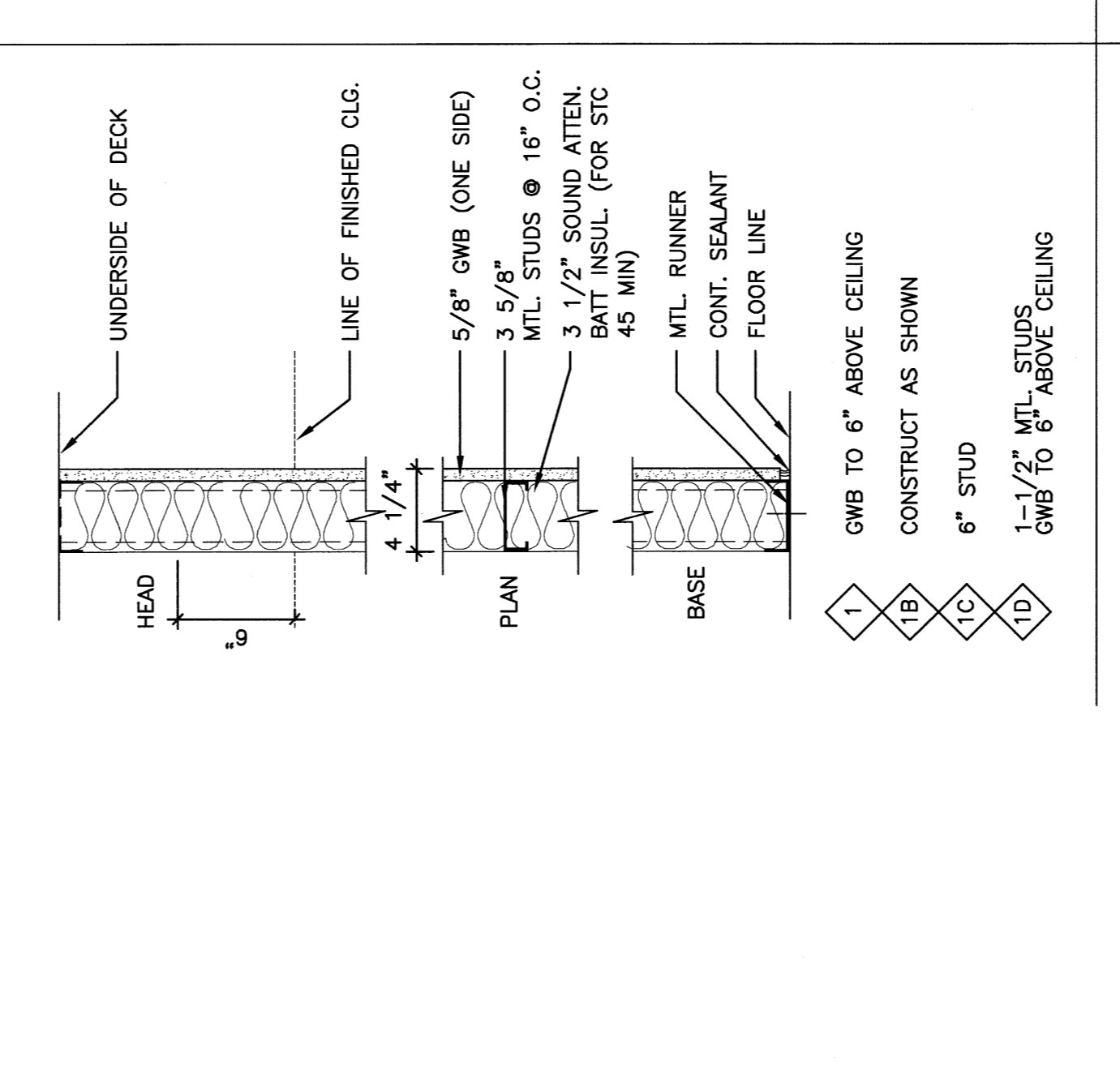
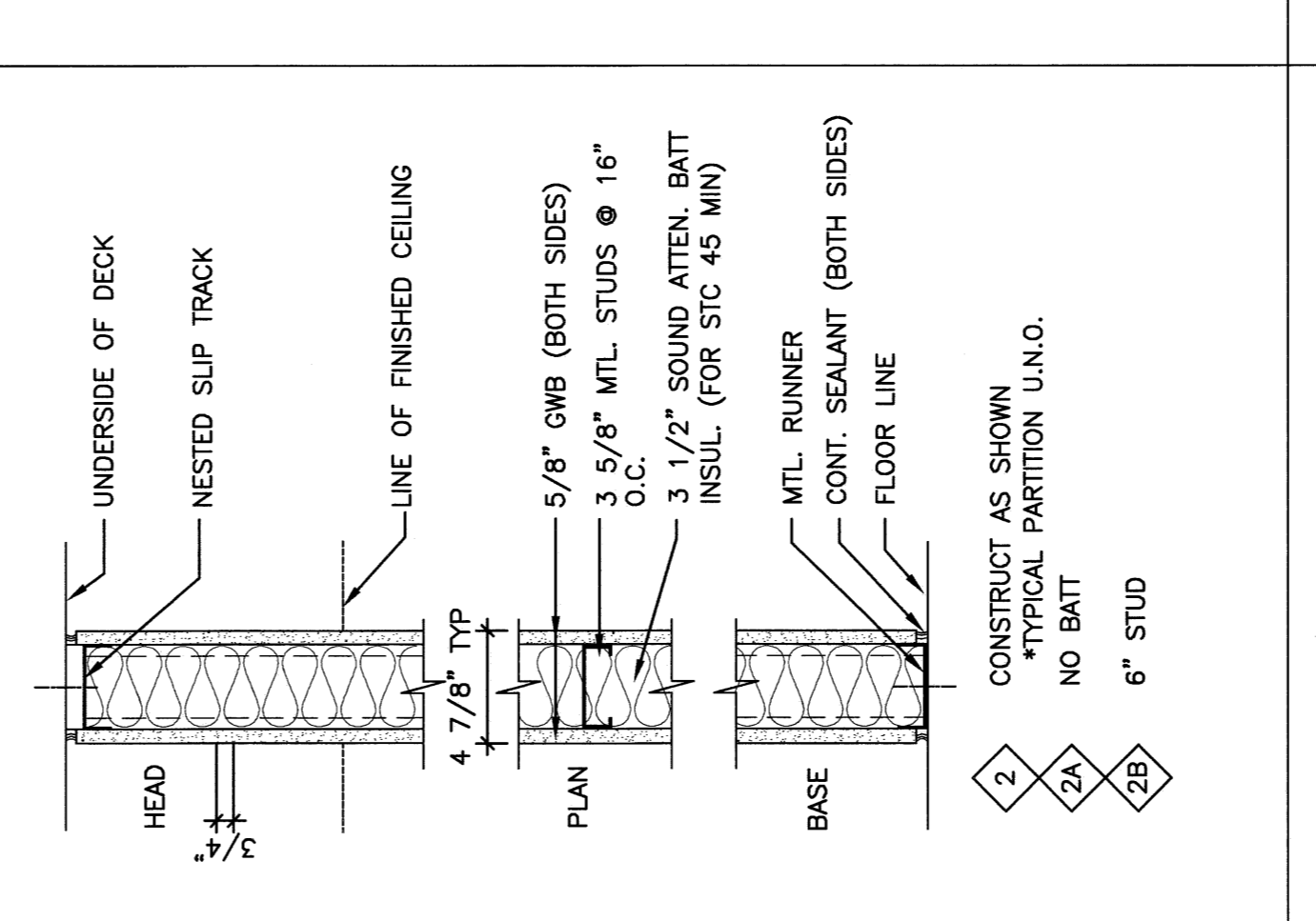
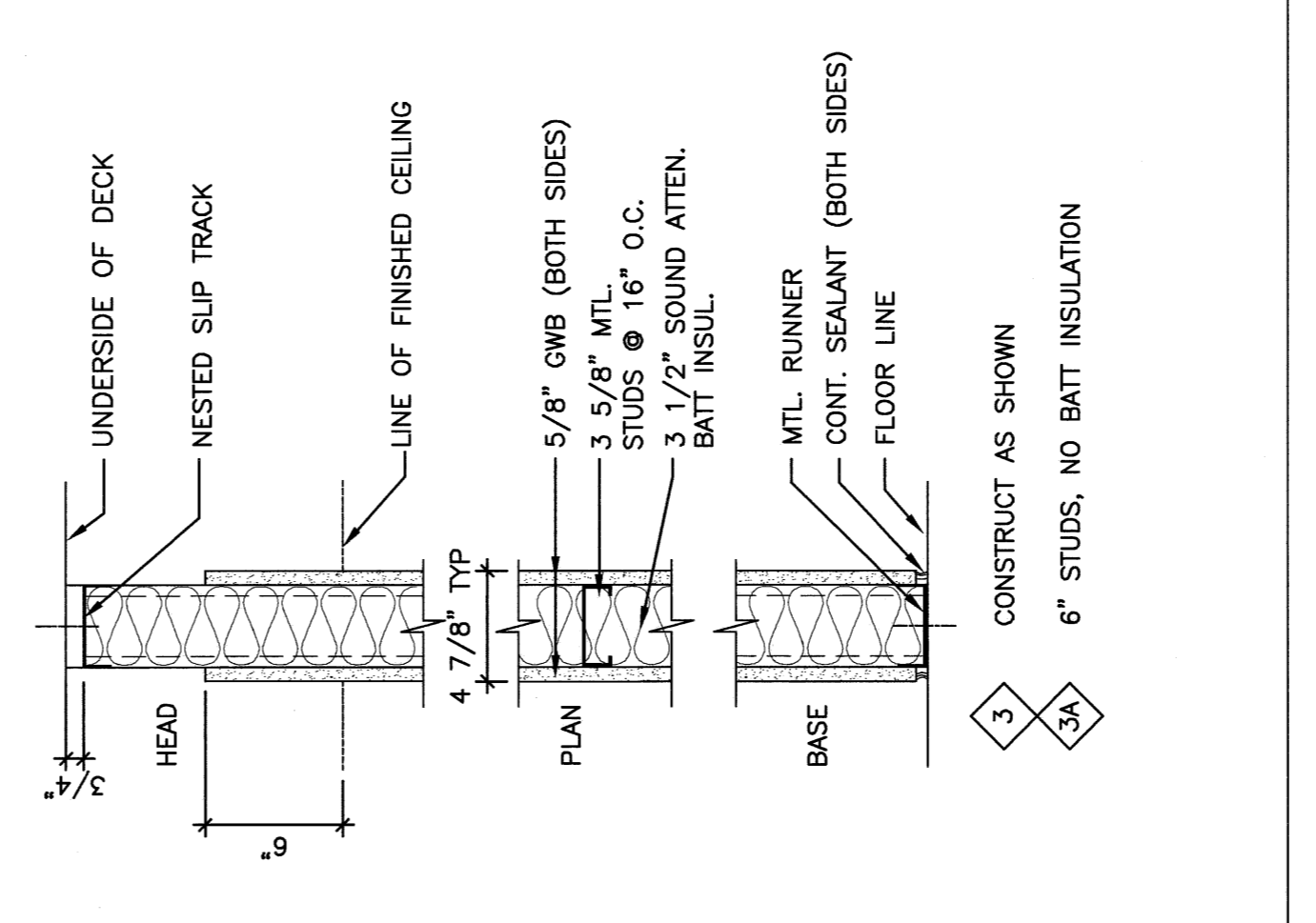
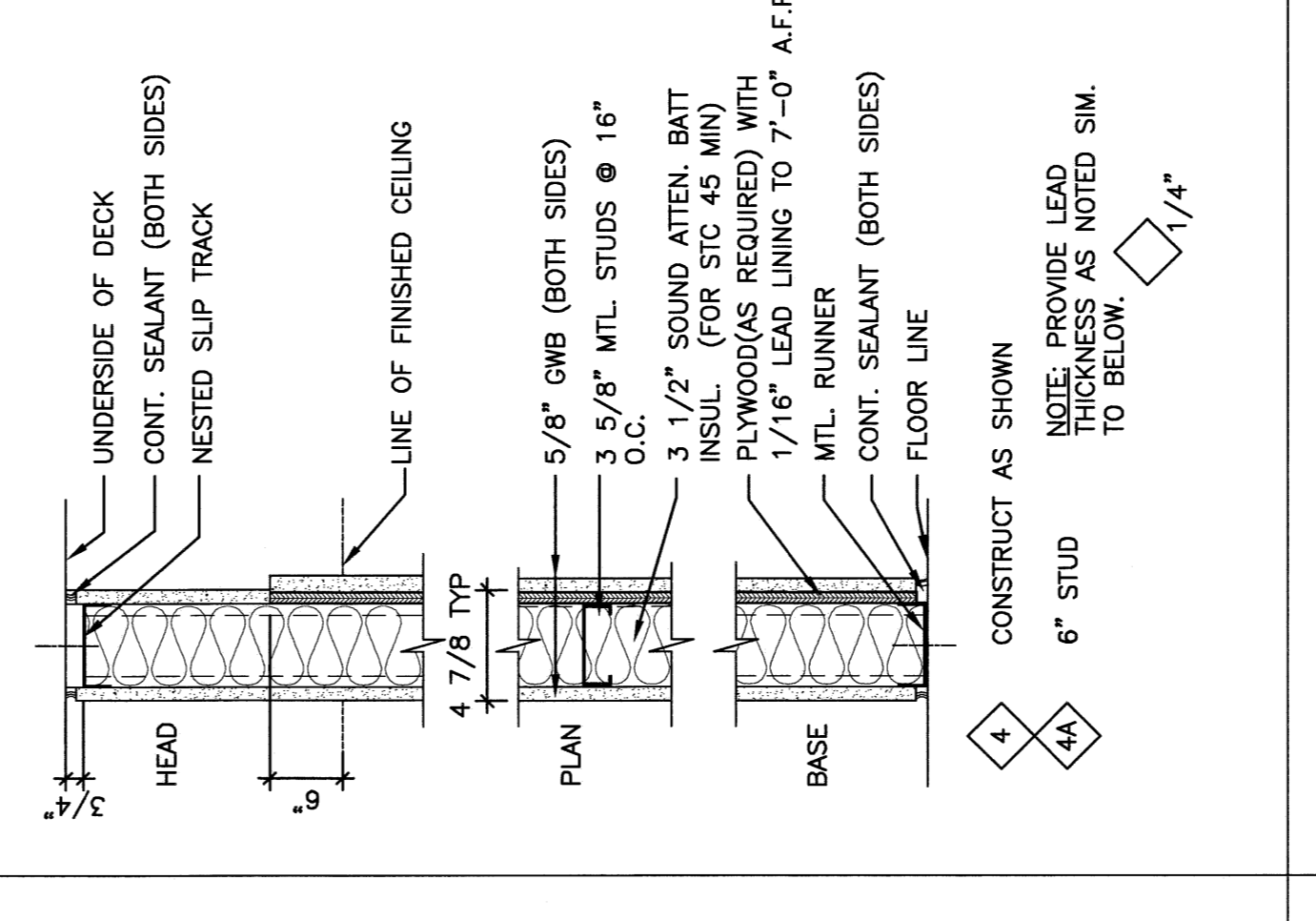
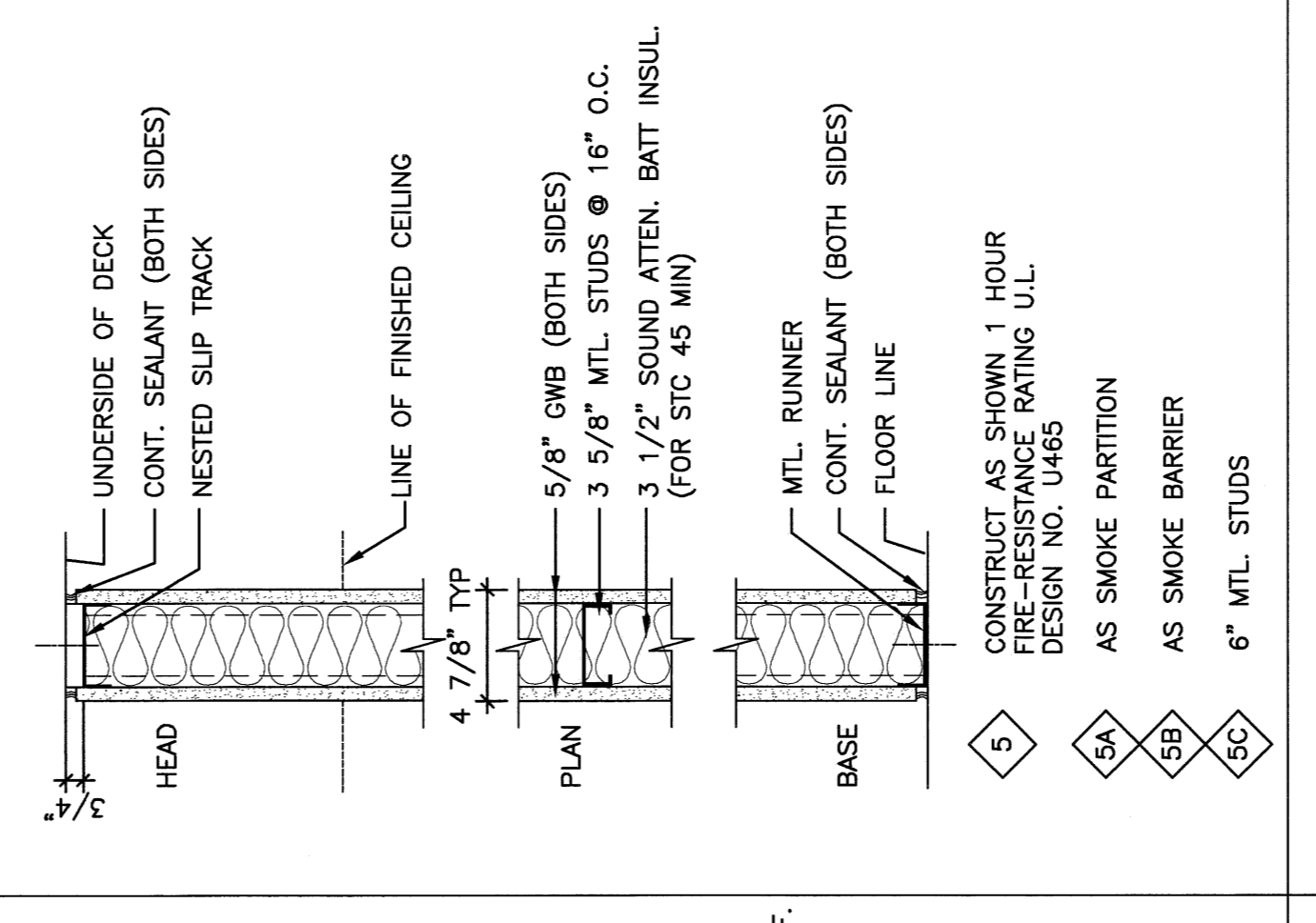
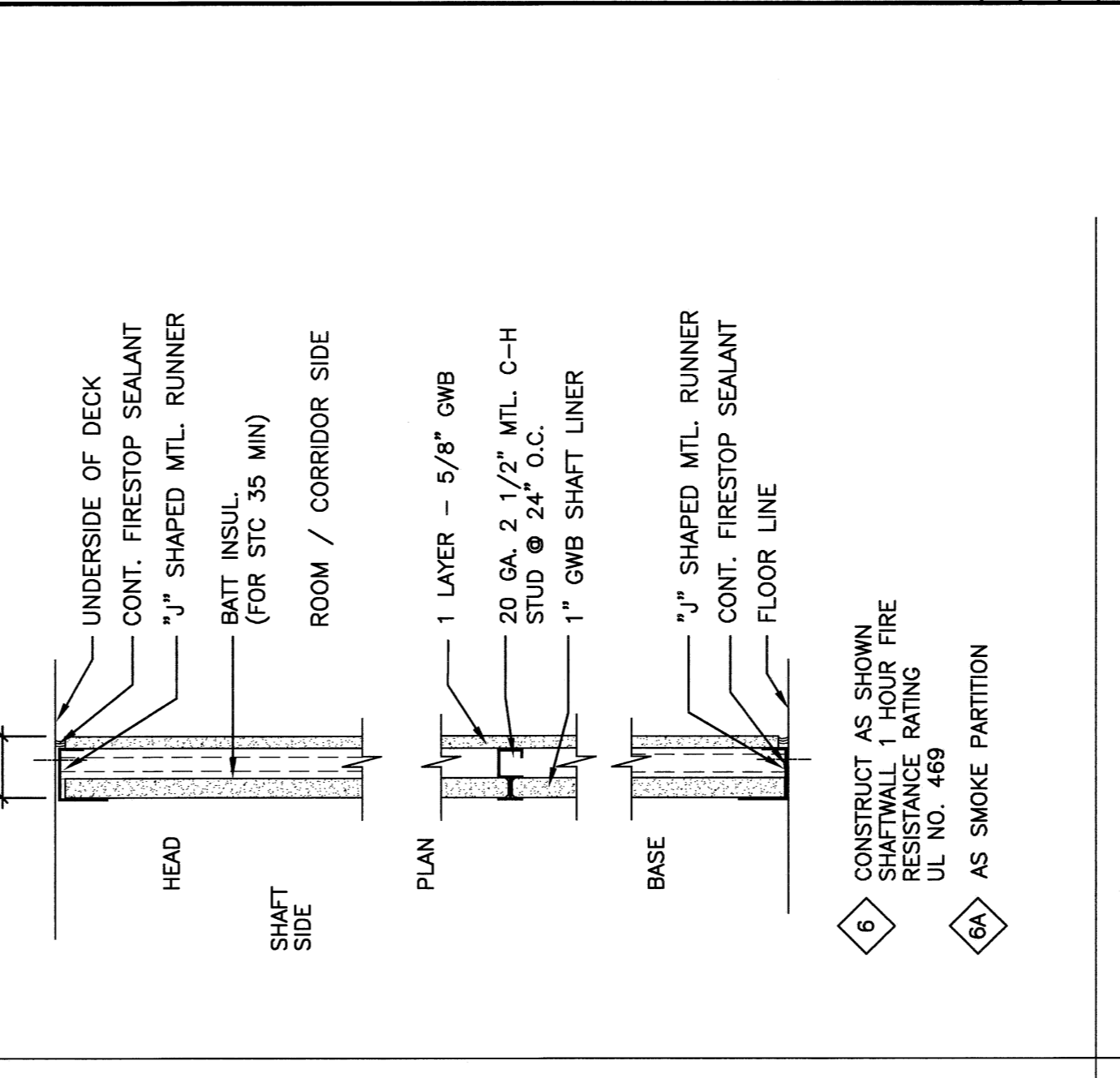
A1 PARTITION TYPES

N.T.S.



A1 PARTITION TYPES

N.T.S.



ISSUED FOR CONSTRUCTION
9-12-08

CURRENT ISSUE STATUS:

144 For Sheet 01, Box 618
Portland, Maine 04108
Tel: (207) 772-8000
www.smartr.com

ARCHITECTURE
ENGINEERING
PLANNING
INTERIOR DESIGN
COMMISSIONING

SMRT
MAINE MEDICAL CENTER - L.L. BEAN WING 2ND FLOOR
INPATIENT SERVICES
PORTLAND, MAINE

PARTITION SCHEDULE

SHEET TITLE: 1/8" = 1'-0" DATE: 9-12-08
PROJECT NUMBER: COP GRAPHIC SCALE: 0'
JOB CONTRACTOR: HIR
DATE OF RECORD: COP SHEET NO.:
SHEET CAD FILE: G002-08059
PROJECT NO.: 08059

G1002