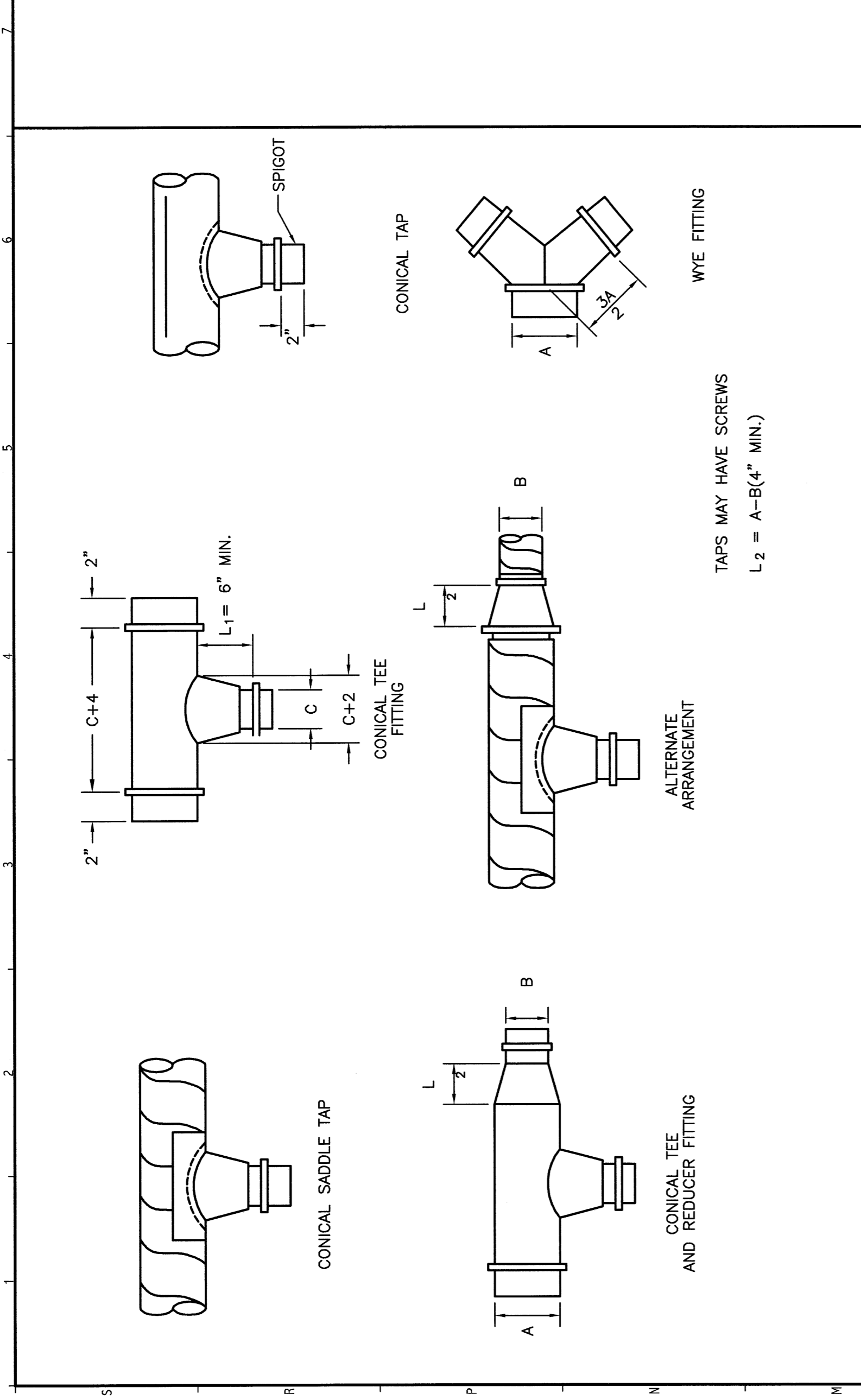
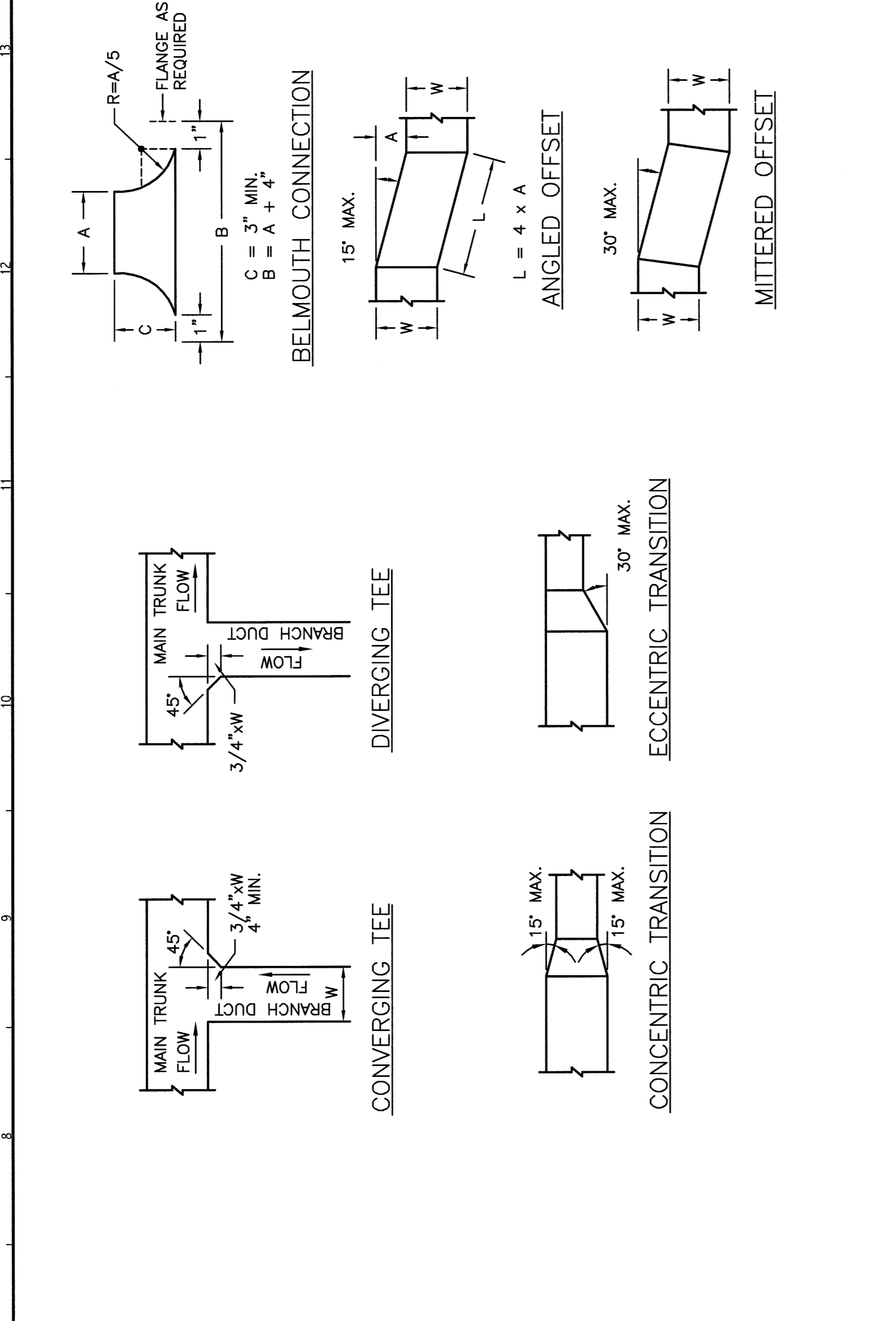
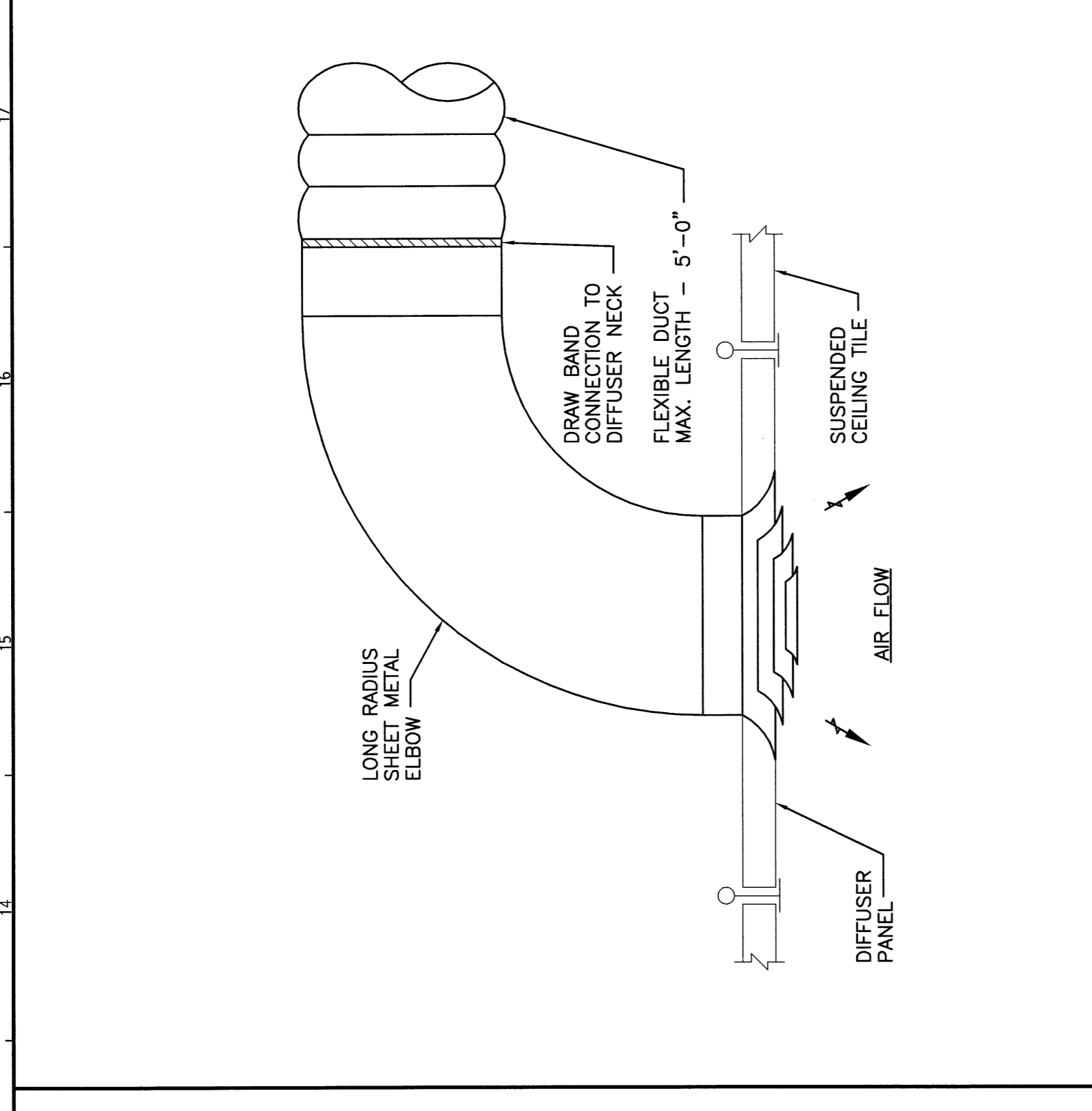


NOTE:
1. SEE SHEET M-001 FOR LEGEND AND ABBREVIATIONS.

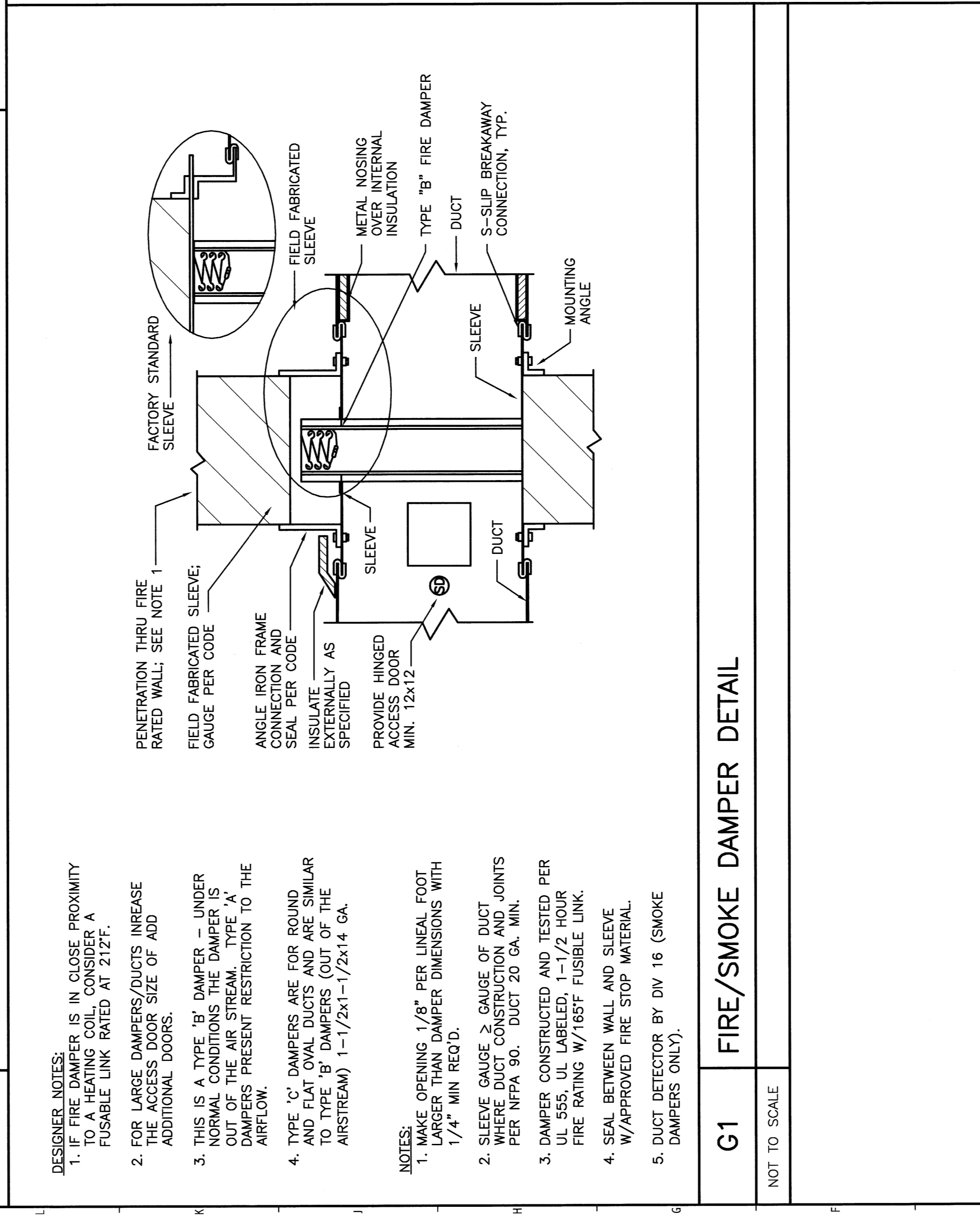
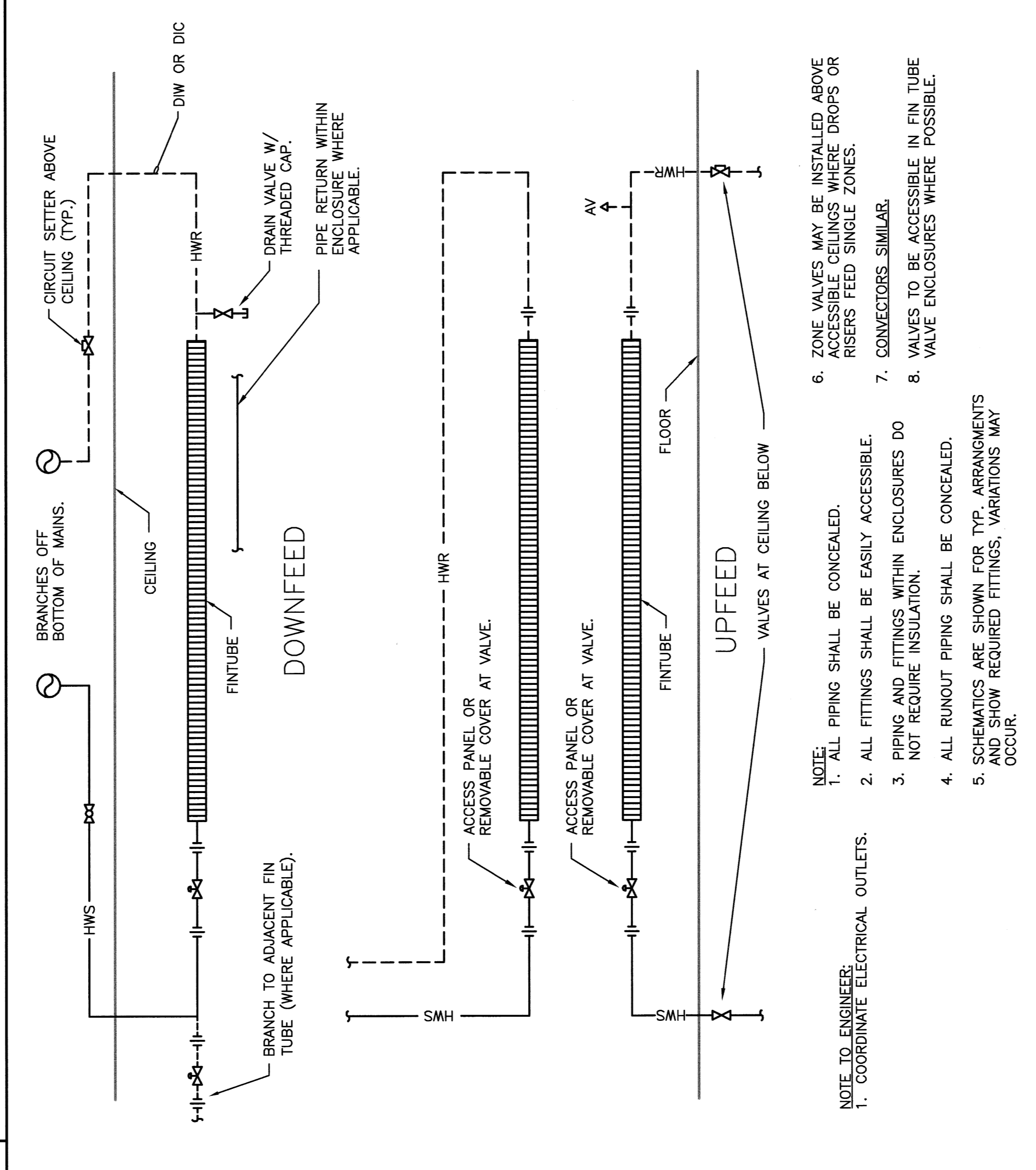
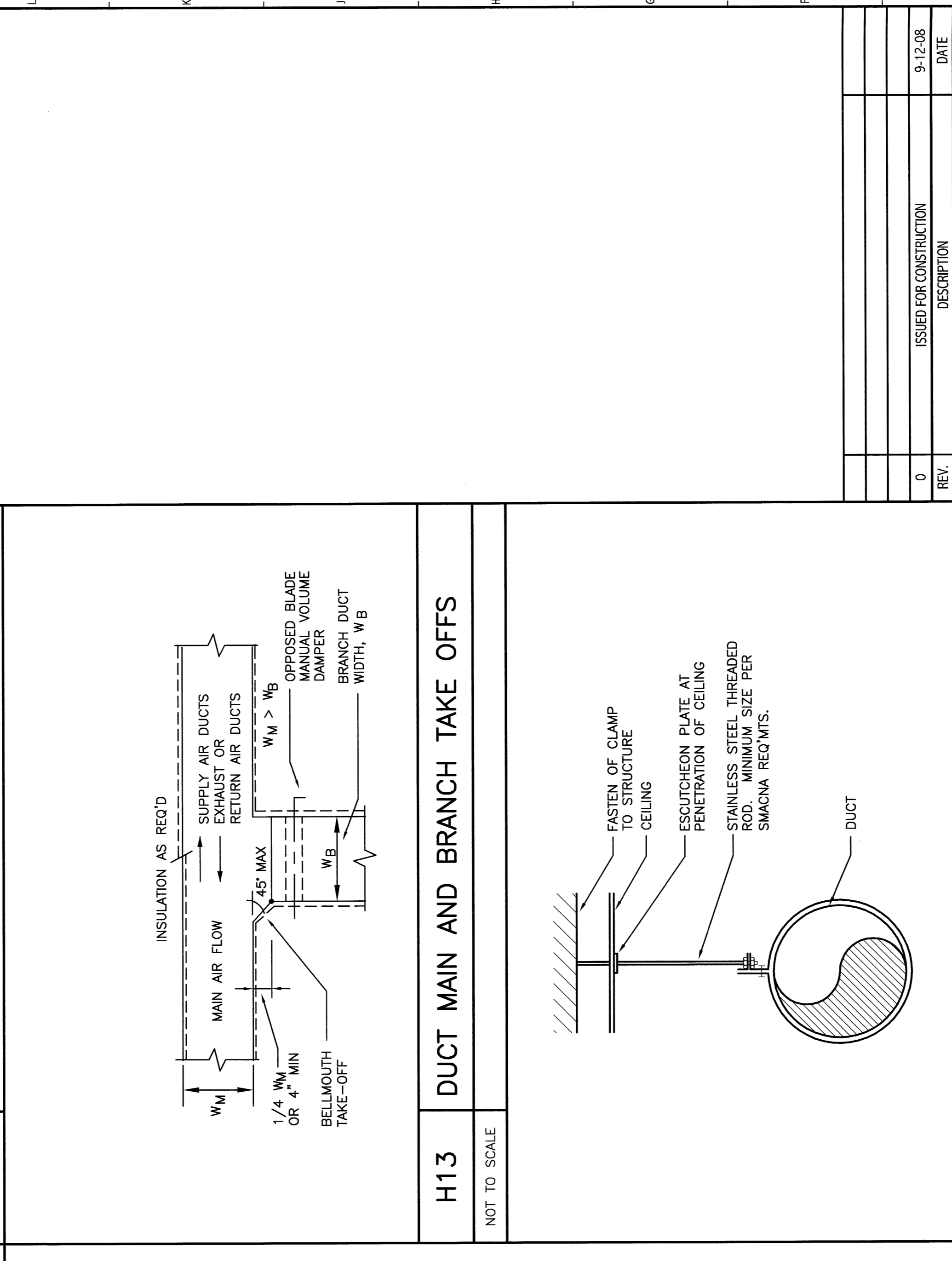


N13 FLEXIBLE DUCT
NOT TO SCALE

N7 DUCT TRANSITIONS
NOT TO SCALE

N1 CONICAL TEES
NOT TO SCALE

G1 FIRE/SMOKE DAMPER DETAIL
NOT TO SCALE



ISSUED FOR CONSTRUCTION
9-12-08

E13 DUCT HANGER
NOT TO SCALE

E7 FIN TUBE RADIATION PIPING DETAIL
NOT TO SCALE

G1 FIRE/SMOKE DAMPER DETAIL
NOT TO SCALE

ARCHITECTURE
ENGINEERING
PLANNING
INTERIOR DESIGN
COMMISSIONING

SMRT

144 Park Street, 2nd Floor
Portland, Maine 04103
Tel: (207) 772-2886
Fax: (207) 772-2887
www.smrtinc.com

MAINE MEDICAL CENTER - RICHARDS WING 2ND FLOOR
INPATIENT SERVICES

PORTLAND, MAINE

DETAILS

SHEET TITLE: NOT TO SCALE DATE: 9-12-08
PROJECT MANAGER: COP GRAPHIC SCALE: 0' 1'
JOB CAP/DRWN: MERIDOL
DATE OF RECORD: N/A SHEET No.:
SMRT CAD FILE: M-501-08103
PROJECT No.: 08103