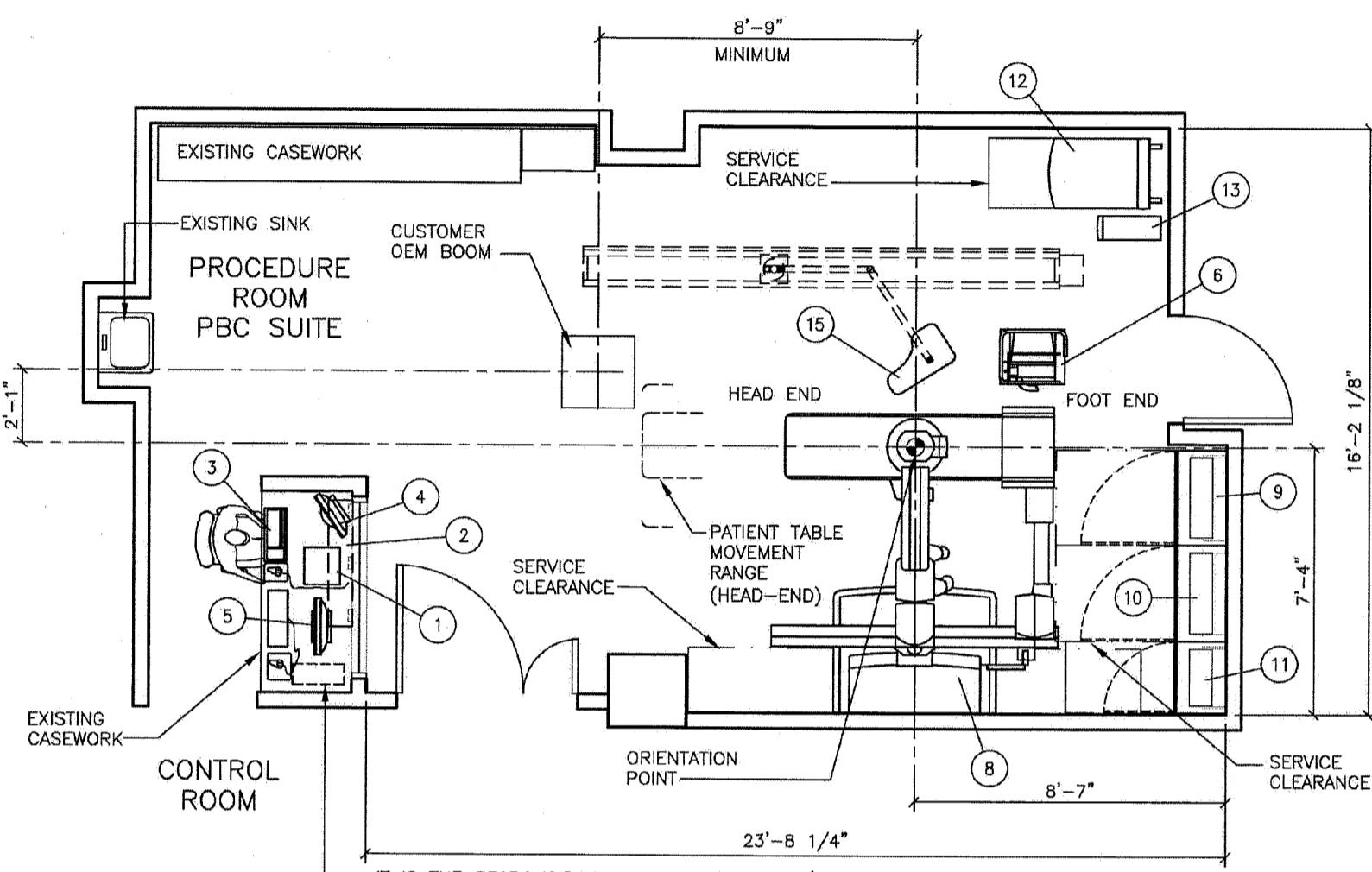


KLIVER COOLING UNITS LOCATED IN COORDINATION WITH SIEMENS PROJECT MANAGER. CABLE LENGTHS FROM COOLING UNITS TO CEILING OUTLETS AND SYSTEM CABINET ARE 85" AND 98" RESPECTIVELY.

THIS SET OF FINAL DRAWINGS IS REFLECTIVE OF THE LATEST SALES CONFIGURATION. ANY CHANGES TO THIS SALES CONFIGURATION MAY REQUIRE A REVISION TO THIS PROJECT PLAN. IF REQUESTED, SIEMENS WILL PRODUCE A REVISED SET OF FINAL DRAWINGS TO REFLECT THE CHANGES. HOWEVER, SIEMENS IS NOT RESPONSIBLE FOR ANY CONSTRUCTION COSTS ASSOCIATED WITH THE CHANGES THAT OCCUR FROM THIS PLAN MODIFICATION.



**NON-SIEMENS (OEM) DISPLAY BOOMS:**  
**IMPORTANT SAFETY CRITERIA:** FAILURE TO MEET THE FOLLOWING REQUIREMENTS MAY RESULT IN RISK OF INJURY TO PATIENTS, PERSONNEL, OR DAMAGE TO THE EQUIPMENT.  
 1) IT MUST BE POSSIBLE TO MANUALLY MOVE THE BOOM VERTICALLY WITH A FORCE LESS THAN 85 N (19 LBS) WHEN POSITIONING THE DISPLAY BOOM OVER THE PATIENT.  
 2) TO AVOID THE RISK OF CRUSHING PERSONS OR DAMAGING EQUIPMENT IN THE EVENT THAT THE ANGIOGRAPHY SYSTEM DROWS INTO CONTACT WITH THE DISPLAY BOOM, IT MUST BE POSSIBLE TO PUSH THE BOOM AWAY IN A HORIZONTAL DIRECTION WITH A FORCE LESS THAN 50 N (11 LBS).  
 3) MOTORIZED, HEIGHT-ADJUSTABLE DISPLAY BOOMS WHICH CANNOT MANUALLY BE PUSHED AWAY MAY NOT BE USED.  
**DELIVERY AND INSTALLATION:**  
 IT IS RECOMMENDED THAT INSTALLATION OF 3RD PARTY DISPLAY BOOMS BE COORDINATED WITH THE INSTALLATION OF THE SIEMENS SYSTEM. IN ORDER TO ENSURE THE SIMULTANEOUS INSTALLATION OF THE SYSTEM AND THE DISPLAY BOOM, THE CUSTOMER SHOULD TAKE STEPS EARLY IN THE PLANNING PROCESS TO ENSURE THAT THE BOOM MANUFACTURER'S LEAD TIME CAN BE COORDINATED WITH THE DELIVERY OF THE SIEMENS EQUIPMENT. THE THIRD-PARTY MANUFACTURER IS RESPONSIBLE FOR THE INSTALLATION, MAINTENANCE, AND SERVICE OF THE DISPLAY BOOMS. THE THIRD-PARTY MANUFACTURER IS RESPONSIBLE FOR INSTALLING THE SIEMENS COMPONENTS IN THE DISPLAY ROOM IN ACCORDANCE WITH SIEMENS SPECIFICATIONS. SIEMENS ASSUMES NO RESPONSIBILITY FOR ANY DAMAGE TO SIEMENS COMPONENTS WHICH ARE NOT INSTALLED IN ACCORDANCE WITH SIEMENS SPECIFICATIONS. SIEMENS TECHNICIANS MUST BE GIVEN INSTRUCTIONS AND/OR TRAINING AS APPROPRIATE BY THE 3RD PARTY MANUFACTURER FOR MAINTENANCE/SERVICE OF THE SIEMENS COMPONENTS (E. DISPLAY, CABLES), OR A TECHNICIAN FROM THE THIRD-PARTY MANUFACTURER MUST BE PRESENT WHENEVER ANY SERVICE WORK IS PERFORMED.

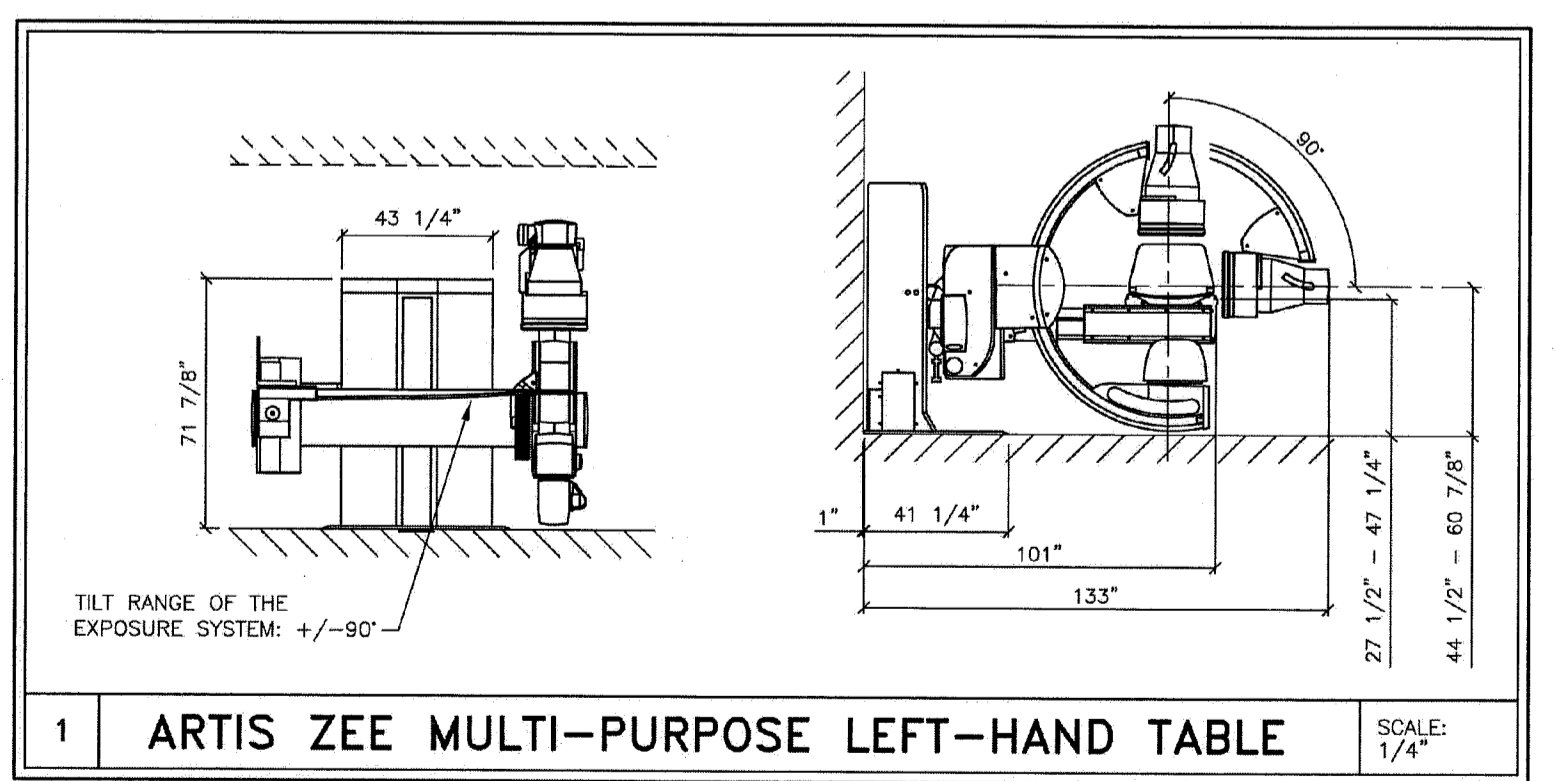
| NO | DESCRIPTION                                  | SMS | WEIGHT (LBS) | BTU/HR TO AIR | DIMENSIONS (INCHES) |        |        | REMARKS                           |
|----|--|-----|--------------|---------------|---------------------|--------|--------|-----------------------------------|
|    |  |     |              |               | W                   | D      | H      |                                   |
| 1  | ACE (ARCHIVE CONTROL EXTENSION)              | SYM | 13           | N/A           | 12 1/4              | 11 3/4 | 4      | MTD. ON CONTROL COUNTER           |
| 2  | CONTROL ROOM DISTRIBUTOR                     | ⊙   | 64           | 342           | 41 1/2              | 8 1/4  | 16 1/8 | MTD. ON WALL                      |
| 3  | KEYBOARD                                     | ⊙   | 2.2          | 342           | 17 1/2              | 6 1/8  | 2 1/8  | MTD. UNDER COUNTER OR ON CONSOLE  |
| 4  | 19" MONOCHROME LIVE DISPLAY                  | ⊙   | 15           | 256           | 16 1/2              | 8 1/4  | 13 1/2 | ON COUNTER OR CONSOLE             |
| 5  | SYNGO X WORKSTATION TOWER, KEYBOARD, MONITOR | ⊙   | 27           | ---           | 6 5/8               | 17 1/8 | 17 5/8 | LOCATED BY CUSTOMER UNDER COUNTER |
| 6  | TROLLEY FOR CONTROL MODULES                  | ⊙   | 59           | ---           | 23                  | 21     | 40     | MOUNTED ON CASTERS                |
| 7  | 2 MONITORS FOR OEM BOOM                      | ⊙   | ---          | ---           | ---                 | ---    | ---    | CEILING SUSPENDED                 |
| 8  | ARTIS ZEE MULTI-PURPOSE UNIT                 | ⊙   | 4,459        | ---           | ---                 | ---    | ---    | FLOOR MOUNTED                     |
| 9  | POLYDOROS A100 (POWER UNIT 1)                | ⊙   | 662          | 3,413         | 31 1/2              | 17 1/8 | 87     | FLOOR MOUNTED                     |
| 10 | CABLE CABINET                                | ⊙   | 285          | ---           | 31 1/2              | 17 1/8 | 87     | FLOOR MOUNTED                     |
| 11 | SYSTEM CONTROL CABINET                       | ⊙   | 518          | 5,460         | 23 1/2              | 17 1/8 | 87     | FLOOR MOUNTED                     |
| 12 | AMIS IMAGE SYSTEM                            | ⊙   | 331          | 4,347         | 23                  | 37 1/2 | 28 3/8 | MTD. ON CASTERS                   |
| 13 | UPS FOR IMAGE SYSTEM                         | ⊙   | 275          | 102           | 7 3/4               | 21     | 17     | MTD. ON FLOOR / SHELF             |
| 14 | KLIVER COOLING UNIT (WITH MEGALIX TUBE ONLY) | ⊙   | 93           | 8,192         | 18 3/4              | 15 1/2 | 18 3/4 | FLOOR OR SHELF MOUNTED            |
| 15 | UPPER BODY RADIATION SHIELD 4 M TRACK        | ⊙   | 196          | ---           | ---                 | ---    | ---    | TRACK MOUNTED                     |

**ARCHITECTURAL NOTES**

- ALL PRELIMINARY EQUIPMENT LAYOUTS SUBMITTED BY SIEMENS MEDICAL SOLUTIONS INC. (SMS HEREINAFTER) ARE BASED ON THE RECOMMENDED SPACE NECESSARY FOR THE OPERATION AND SERVICEABILITY OF THE EQUIPMENT BEING PROPOSED. SMS WILL NOT SUBMIT AN EQUIPMENT LAYOUT THAT IS NOT IN THE BEST INTEREST OF BOTH THE CUSTOMER AND SMS. ALL EQUIPMENT LAYOUTS ARE BASED EITHER ON AN ACTUAL SITE LOCATION SURVEY OR ARCHITECTURAL DRAWINGS SUPPLIED TO SMS. SMS WILL NOT BE RESPONSIBLE FOR ANY ALTERATIONS THAT ENCOACH WITHIN DESIGNATED SAFETY AND SERVICE CLEARANCE ZONES AS INDICATED ON DRAWINGS (IE. PIPE CHANGES, VENTILATION DUCTS, CASEWORK, AND SOFFITS, ETC.) MADE BY THE CUSTOMER OR REQUIRED BY A CUSTOMER'S ARCHITECTURAL FIRM ONCE PRELIMINARY DRAWINGS HAVE BEEN SUBMITTED AND APPROVED.
- PRELIMINARY DRAWINGS HAVE BEEN SUBMITTED AND APPROVED. DO NOT ALTER ANY SPECIFICATIONS AND/OR DIMENSIONS WITHOUT EXPENSE. THE CUSTOMER IS RESPONSIBLE FOR VERIFYING THAT ALL CONTACTING AND RECEIVING WRITTEN CONFIRMATION FROM SMS PROJECT MANAGER.
- SMS IS NOT AN ARCHITECTURAL OR ENGINEERING FIRM. DRAWINGS SUPPLIED BY SMS ARE NOT CONSTRUCTION DRAWINGS. THEREFORE, THESE DRAWINGS ARE TO BE USED ONLY FOR INFORMATION TO COMPLEMENT ACTUAL CONSTRUCTION DRAWINGS AVAILABLE FROM A CUSTOMER APPOINTED ARCHITECTURAL REPRESENTATIVE OR A CUSTOMER'S ENGINEERING DESIGN GROUP. SMS REQUIRES THAT ONCE THE FINAL CONSTRUCTION DRAWINGS HAVE BEEN PREPARED, THEY SHALL BE MADE AVAILABLE TO SMS PROJECT MANAGER TO VERIFY THAT ALL SMS REQUIREMENTS HAVE BEEN ADHERED TO. THE CUSTOMER'S ARCHITECT AND GENERAL CONTRACTOR SHALL BE ULTIMATELY RESPONSIBLE FOR COMPLIANCE WITH ALL APPLICABLE CODES AND PROFESSIONAL DESIGN REQUIREMENTS.
- THE CUSTOMER IS RESPONSIBLE FOR ALL ROOM AND AREA PREPARATION COSTS, PROFESSIONAL FEES, PERMITS, REPORTS, AND INSPECTION FEES.
- EQUIPMENT WARRANTIES, EXPRESSED OR IMPLIED ON THE PART OF SMS SHALL BE CONTINGENT UPON STRICT COMPLIANCE WITH THE ARCHITECTURAL, STRUCTURAL, ELECTRICAL, MECHANICAL AND RECOMMENDATIONS AND REQUIREMENTS CONTAINED IN THESE DRAWINGS, UNLESS SPECIFIED OTHERWISE.
- THE DRAWING DOES NOT PROVIDE RADIATION SHIELDING REQUIREMENTS FOR X-RAY AND ASSOCIATED EQUIPMENT. THE CUSTOMER IS RESPONSIBLE FOR CONSULTING WITH A REGISTERED RADIATION PHYSICIST. ACTUAL PROTECTION REQUIREMENTS SHALL BE SPECIFIED BY A REGISTERED RADIATION PHYSICIST AT CUSTOMER'S ENGAGEMENT AND EXPENSE. RESPONSIBILITY FOR ALL INFORMATION AS TO THE ROOM LOCATION, USE, AND NUMBER OF ANTICIPATED EXAMINATIONS TO BE PERFORMED PER TIME PERIOD SHALL BE PROVIDED TO THE PHYSICIST BY THE CUSTOMER. THE CUSTOMER SHALL FURTHER TAKE ALL RESPONSIBILITY IN THE COMMUNICATION AND COORDINATION OF ACTIVITIES OF THE RADIATION PHYSICIST AND THE ARCHITECTURAL REPRESENTATIVE.
- SMS SHALL BE RESPONSIBLE FOR SMS EQUIPMENT INSTALLATION AND CALIBRATION, CONNECTION AND INSTALLATION OF SMS PROVIDED CABLES, AND CONNECTION OF CONTRACTOR PROVIDED WIRES TO SMS EQUIPMENT. IN THE EVENT THAT SPECIFIC TRADE RULES OR LICENSE REQUIREMENTS PROHIBIT THIS, THE CUSTOMER SHALL INITIATE THE SERVICES OF APPROVED OTHER CONTRACTORS AND PAY FOR SELECTED, APPROVED PARTIES TO PERFORM THIS WORK WITH JOB SUPERVISION TO BE PROVIDED BY SMS. CALIBRATION WHEN ACCOMPLISHED OUTSIDE OF NORMAL INSTALLATION REQUIREMENTS DUE TO CONTRACTOR TRADE RULE ACTIONS OR REQUIREMENTS SHALL BE SUPPORTED BY, CHARGED TO, AND ACCEPTED BY THE CUSTOMER AS AN ADDITIONAL INSTALLATION EXPENSE.
- THE CUSTOMER SHALL VERIFY WITH SMS PROJECT MANAGER FINAL INSTALLATION DRAWINGS THE LOCATION AND TRAVEL OF ALL ANCILLARY EQUIPMENT TO BE CEILING OR WALL MOUNTED (IE. O.R. LIGHTS, MEDICAL GAS COLUMNS, PHYSIOLOGICAL MONITORING INJECTORS, CRT PLATFORMS, SPRINKLER HEADS, SMOKE DETECTORS, ELECTRICAL OUTLETS, HVAC GRILLES, SPEAKERS, AND GENERAL ROOM LIGHTING, ETC.).
- THE GENERAL CONTRACTOR/CUSTOMER SHALL BE RESPONSIBLE FOR ALL FINAL PAINT, TOUCH-UP AND ANY COSMETIC OR TRIM WORK WHICH NEEDS TO BE OR IS REQUIRED TO BE COMPLETED AFTER THE INSTALLATION OF THE SMS EQUIPMENT AND ANY ASSOCIATED SUPPORT APPARATUS.

**ARCHITECTURAL EQUIPMENT PLAN**

**ROOM MEASUREMENTS**  
 ALL ROOM MEASUREMENTS AND ROOM DETAIL SPECIFICATIONS MUST BE VERIFIED ON SITE PRIOR TO BEGINNING ANY CONSTRUCTION WORK.



**ATTENTION:**  
 THIS DRAWING IS DESIGNED TO CONFORM TO FEATURES AND EQUIPMENT REQUIREMENTS PRESENTED AT THE TIME OF THEIR PREPARATION. SINCE BOTH THESE FACTORS ARE SUBJECT TO DESIGN MODIFICATION, THEY ARE NOT TO BE USED FOR CONSTRUCTION PURPOSES.  
 THIS SET OF PLANS REPRESENTS A COMPLETE SET OF DETAILS AND SHOULD NOT BE SEPARATED.

**STATE AGENCY REVIEW**

PRIOR TO SIEMENS EQUIPMENT INSTALLATION, APPROVAL OF CONSTRUCTION OR STRUCTURAL MODIFICATIONS UTILIZING X-RAY FOR DIAGNOSTIC OR THERAPEUTIC PURPOSES, MUST BE OBTAINED BY THE CUSTOMER FROM THE APPROPRIATE STATE AGENCY, IF APPLICABLE.

**ENVIRONMENTAL/POWER AUDIT**

AS AN INDICATION OF OUR COMMITMENT TO QUALITY, SIEMENS MAY, AT NO COST TO YOUR FACILITY, CHECK THE OPERATING ENVIRONMENT AFTER SYSTEM TURNOVER TO DETERMINE IF THE REQUIREMENTS FOR TEMPERATURE, HUMIDITY, POWER, AND GROUNDING ARE MET AS PER SIEMENS' PUBLISHED SPECIFICATIONS. SIEMENS WILL GENERATE A WRITTEN REPORT DETAILING THE ENVIRONMENTAL AND ELECTRICAL CONDITION OF THE SITE AFTER TURNOVER AND WILL SHARE THE REPORT WITH YOU. IN THE EVENT WE IDENTIFY ANY ENVIRONMENTAL/POWER DEFICIENCIES AT THE SITE, YOUR FACILITY WILL BE REQUESTED TO CORRECT DEFICIENCIES WITHIN THIRTY (30) DAYS. SHOULD ANY CORRECTIVE ACTIONS BE NECESSARY, AND UPON REQUEST, SIEMENS WILL PROVIDE GUIDANCE IN AN EFFORT TO FACILITATE RESOLUTION. PLEASE BE ADVISED THAT AFTER 30 DAYS NOTICE ANY REPAIR OR MAINTENANCE SERVICES NECESSITATED BY SEVERE DEFICIENCIES WILL FALL OUTSIDE YOUR WARRANTY COVERAGE.

**MAGNETIC FIELD PRECAUTIONS**

THE PRESENCE OF MAGNETIC FIELDS IN THE VICINITY OF EQUIPMENT MAY HAVE AN ADVERSE EFFECT. IT IS THE CUSTOMER'S RESPONSIBILITY TO VERIFY THAT THE FOLLOWING VALUES ARE NOT EXCEEDED.

| MAXIMUM ALLOWABLE MAGNETIC FIELD | DEVICES   |
|----------------------------------|---|
| 1.0mT (10 GAUSS)                 | COMPUTERS, MAGNETIC DISK DRIVES, OSCILLOSCOPES, PROCESSORS                        |
| 0.5mT (5 GAUSS)                  | X-RAY TUBES, B/W MONITORS, MAGNETIC DATA CARRIERS, DATA STORAGE DRIVES            |
| 0.2mT (2 GAUSS)                  | SIEMENS CT SCANNERS   |
| 0.15mT (1.5 GAUSS)               | COLOR MONITORS, SIEMENS LINEAR ACCELERATORS                                       |
| 0.05mT (0.5 GAUSS)               | X-RAY IMAGE INTENSIFIERS, GAMMA CAMERAS, PET/CYCLOTRON, OTHER LINEAR ACCELERATORS |

MAGNETIC FIELDS SHOULD BE MEASURED PRIOR TO DELIVERY

**CEILING HEIGHT RANGE**  
 9'-0 1/4" - 10'-6"  
**RECOMMENDED CEILING HEIGHT**  
 9'-6 3/8"

**SITE READINESS GUIDELINES**

THE FOLLOWING GENERAL CONDITIONS ARE NECESSARY TO HAVE THE STATUS OF "READY SITE":

- PROPER POWER AVAILABLE AT SIEMENS EQUIPMENT POWER CABINET LOCATION AND ALL POWER OUTLETS FUNCTIONING.
  - AIR CONDITIONING/HUMIDIFICATION SYSTEMS COMPLETE, TESTED, AND FUNCTIONING PROPERLY ACCORDING TO SIEMENS SPECIFICATIONS.
  - PROPER LIGHTING INSTALLED AND FUNCTIONING.
  - PLUMBING COMPLETE EXCEPT FOR ANY FINAL CONNECTIONS TO SIEMENS EQUIPMENT.
  - ALL CABLE TRAYS/DUCTS/CONDUITS CORRECTLY SIZED, LOCATED, AND INSTALLED ACCORDING TO THE SIEMENS DRAWINGS.
  - ALL REINFORCEMENT PLATES/UNISTRUT INSTALLED AS REQUIRED.
  - ROOM FOR EQUIPMENT INSTALLATION AND IMMEDIATE VICINITY IS JUST-FREE AND IS TO REMAIN SO FOR THE DURATION OF THE INSTALLATION.
  - A SECURE AREA (APPROXIMATELY 10' x 10') IS AVAILABLE AT EQUIPMENT DELIVERY FOR PARTS AND INSTALLATION TOOLS.
  - CUSTOMER SUPPLIED CAMERAS AND PROCESSORS INSTALLED.
  - CUSTOMER APPROVAL FOR SIEMENS REMOTE SERVICES (RST) CONNECTION, AND CUSTOMER'S IT CONTACT INFORMATION AND IP ADDRESSES ESTABLISHED.
  - WALLS TO BE PRIMED AND PAINTED. FLOORS TO BE TILED EXCEPT IN AREAS OF THE EQUIPMENT BASE PLATES.
- IF THESE CONDITIONS ARE NOT MET, THE SIEMENS PROJECT MANAGER AND THE DESIGNATED SIEMENS INSTALLATION SUPERVISOR SHALL RESCHEDULE THE INSTALLATION START DATE. NOTE: ADDITIONAL COST MAY BE INCURRED BY THE CUSTOMER/CONTRACTOR AND DELIVERY DATES MAY NEED TO BE RESCHEDULED, WHEN THE CUSTOMER SITE READINESS GUIDELINES ARE NOT MET.

**RESOURCE LIST (SMS USE ONLY)**

| DESIGNATION                      | PG NUMBER             | DATE  |
|----------------------------------|-----------------------|-------|
| ARTIS MULTIPURPOSE               | AXA4-410.B91.01.02.02 | 12.08 |
| DCS (DISPLAY CEILING SUSPENSION) | AXA4-700.B91.01.07.02 | 10.09 |

PROJECT MANAGER: NICH DEISTER  
 TEL: (207) 712-3224 EXT:  
 FAX: (207) 929-3776  
 EMAIL: RIC.DDEISTER@SIEMENS.COM

**SIEMENS**  
 22 BRAMHALL ST, PORTLAND, ME 04102  
 PBC SUITE - ARTIS ZEE MULTI-PURPOSE

PROJECT #: **1102468** SHEET: **A-101**

ALL RIGHTS ARE RESERVED.  
 SCALE: AS NOTED REF: 30152323

DATE: 01/04/12 DRAWN BY: J.PAOLUCCI CHECKED:

DATE: 01/04/12

114 Fore Street, Box 618  
 Portland, Maine 04104  
 Tel: (207) 775-3846  
 Fax: (207) 775-0770  
 www.siemens.com

ARCHITECTURE  
 ENGINEERING  
 PLANNING  
 INTERIOR DESIGN  
 COMMISSIONING

**SMART**

PROJECT NORTH  
 (Arrow pointing up)

MAINE MEDICAL CENTER  
 HOLDING, RADCU & PBC RENOVATION  
 PORTLAND, ME

ISSUED FOR CONSTRUCTION  
 02.24.12

| REV | DATE | DESCRIPTION |
|-----|------|-------------|
|     |      |             |

GRAPHIC SCALE:  
 0' 1'

SCALE:  
 PROJECT MANAGER: KD  
 ICDRAWN BY:  
 A/E OF RECORD: KD  
 PROJECT NO.: 11063  
 DATE: 2.24.12  
 SHEET TITLE:  
 VENDOR EQUIPMENT DRAWINGS SHEET 2

SHEET NO. **Q-002**

NOTE: THIS DRAWING WAS NOT PREPARED BY SMART. IT IS PROVIDED FOR COORDINATION AND REFERENCE PURPOSES ONLY.