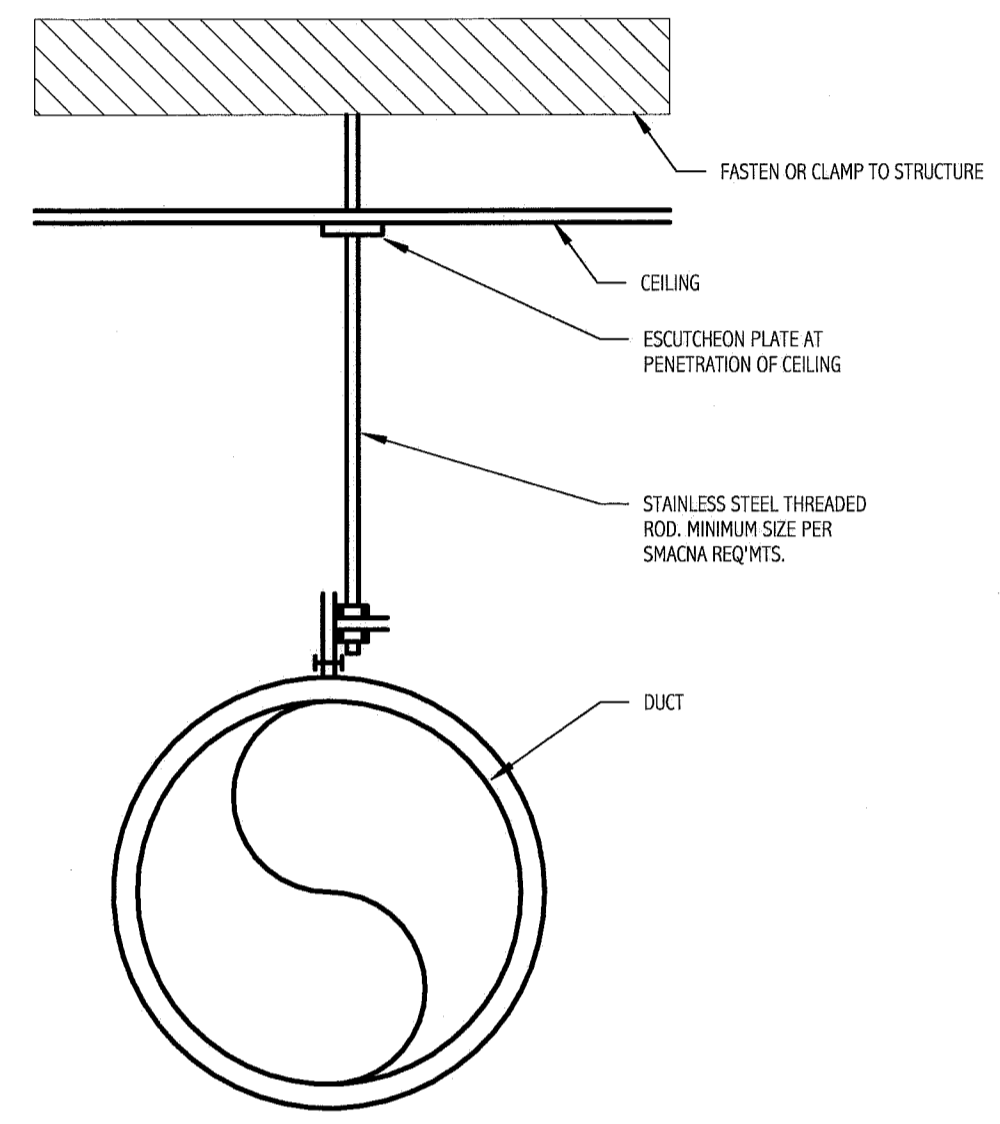
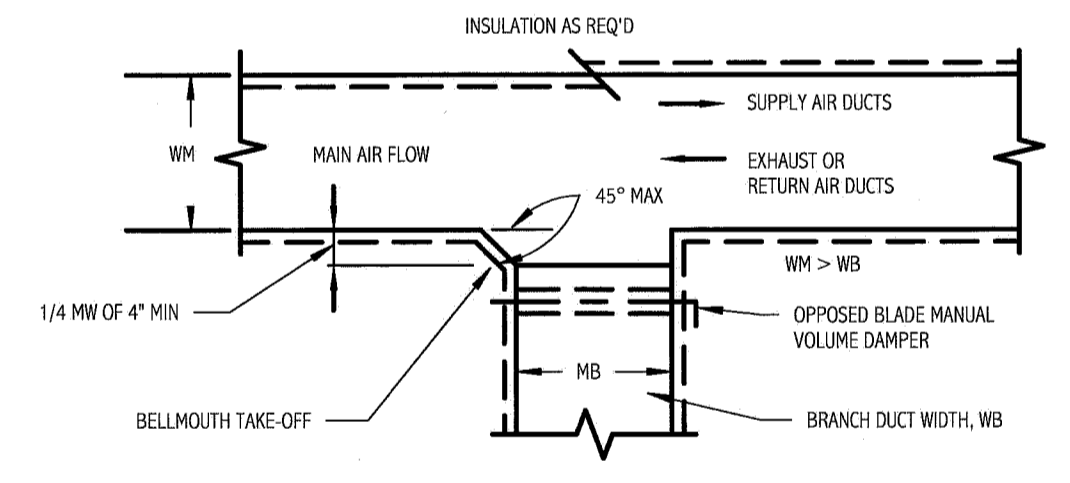


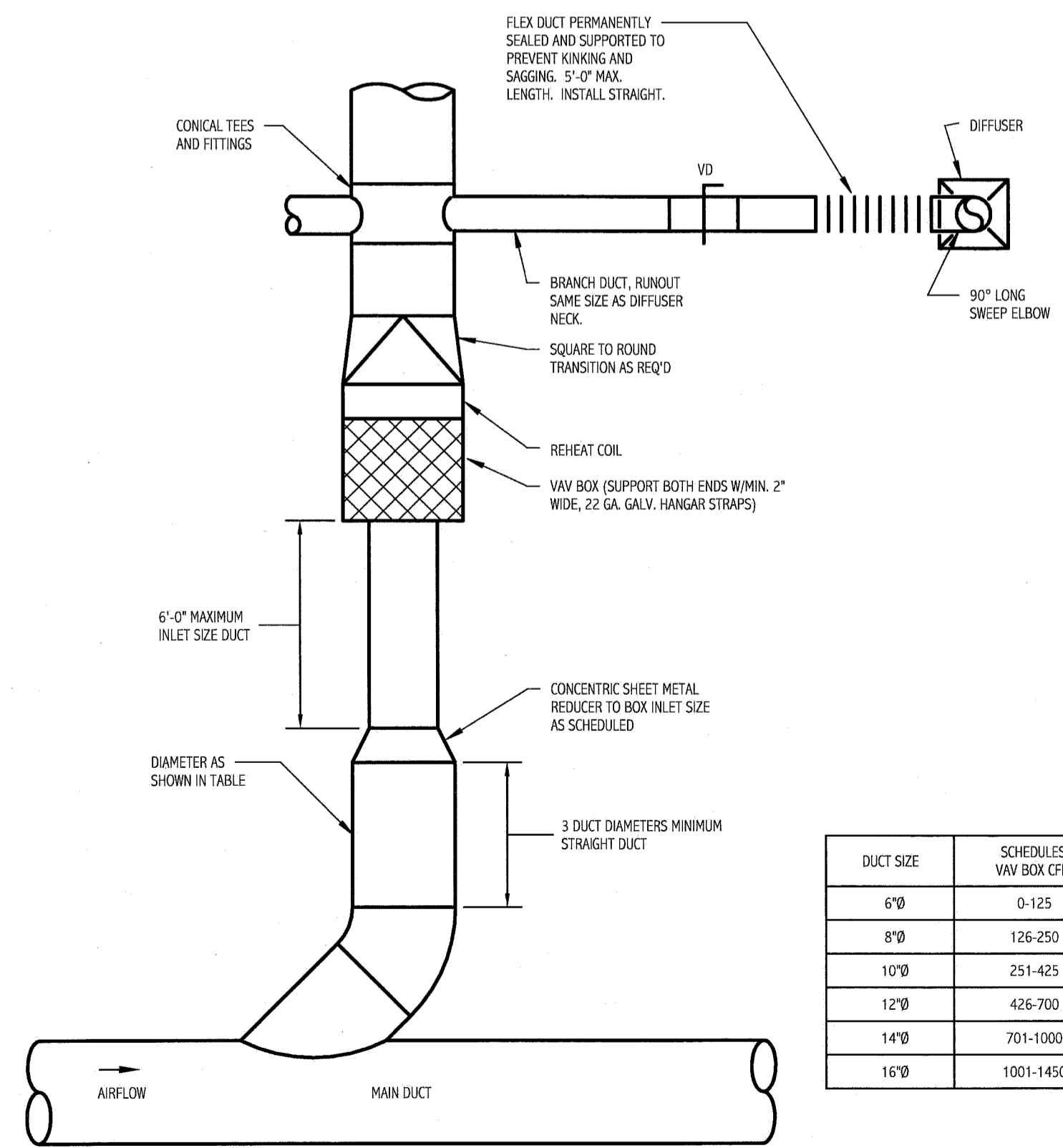
2 DUCT TRANSITION
NOT TO SCALE



5 DUCT HANGER
NOT TO SCALE



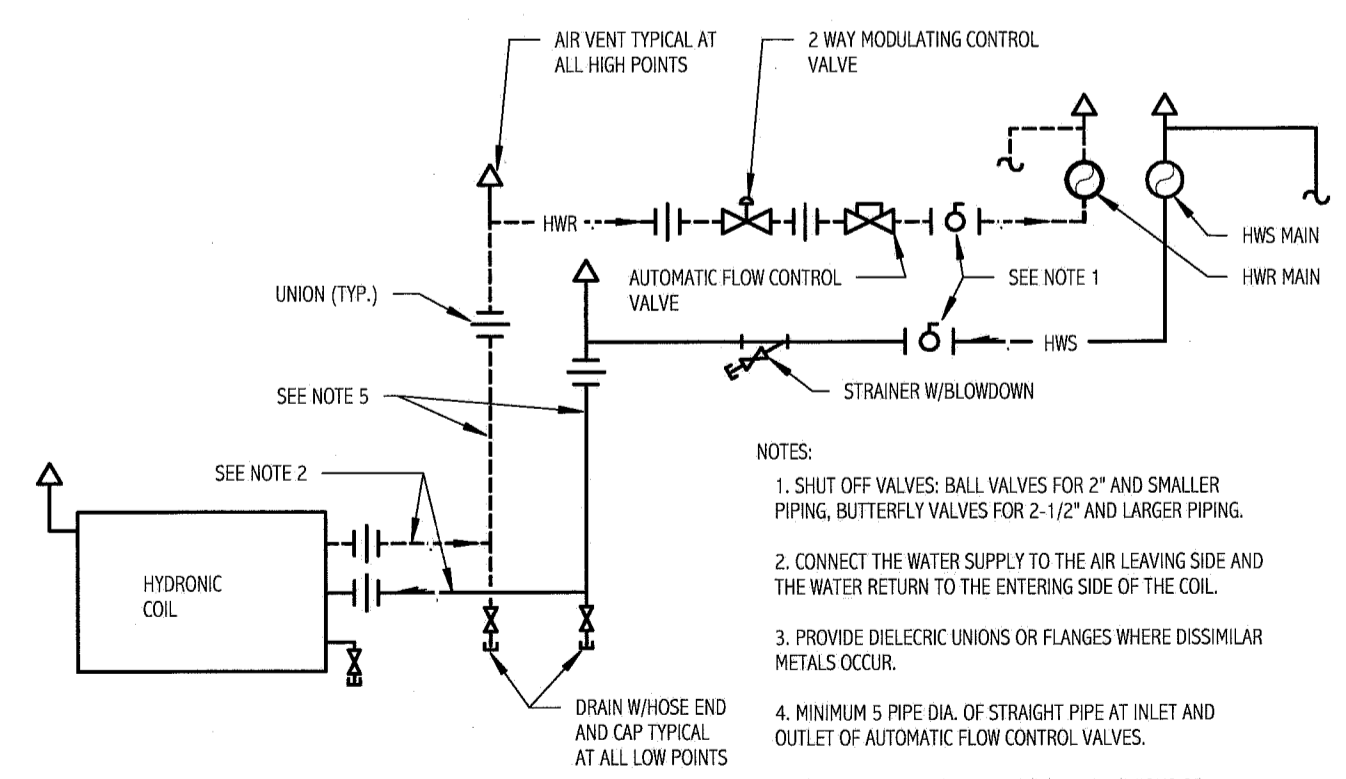
4 DUCT MAIN AND BRANCH TAKE OFFS
NOT TO SCALE



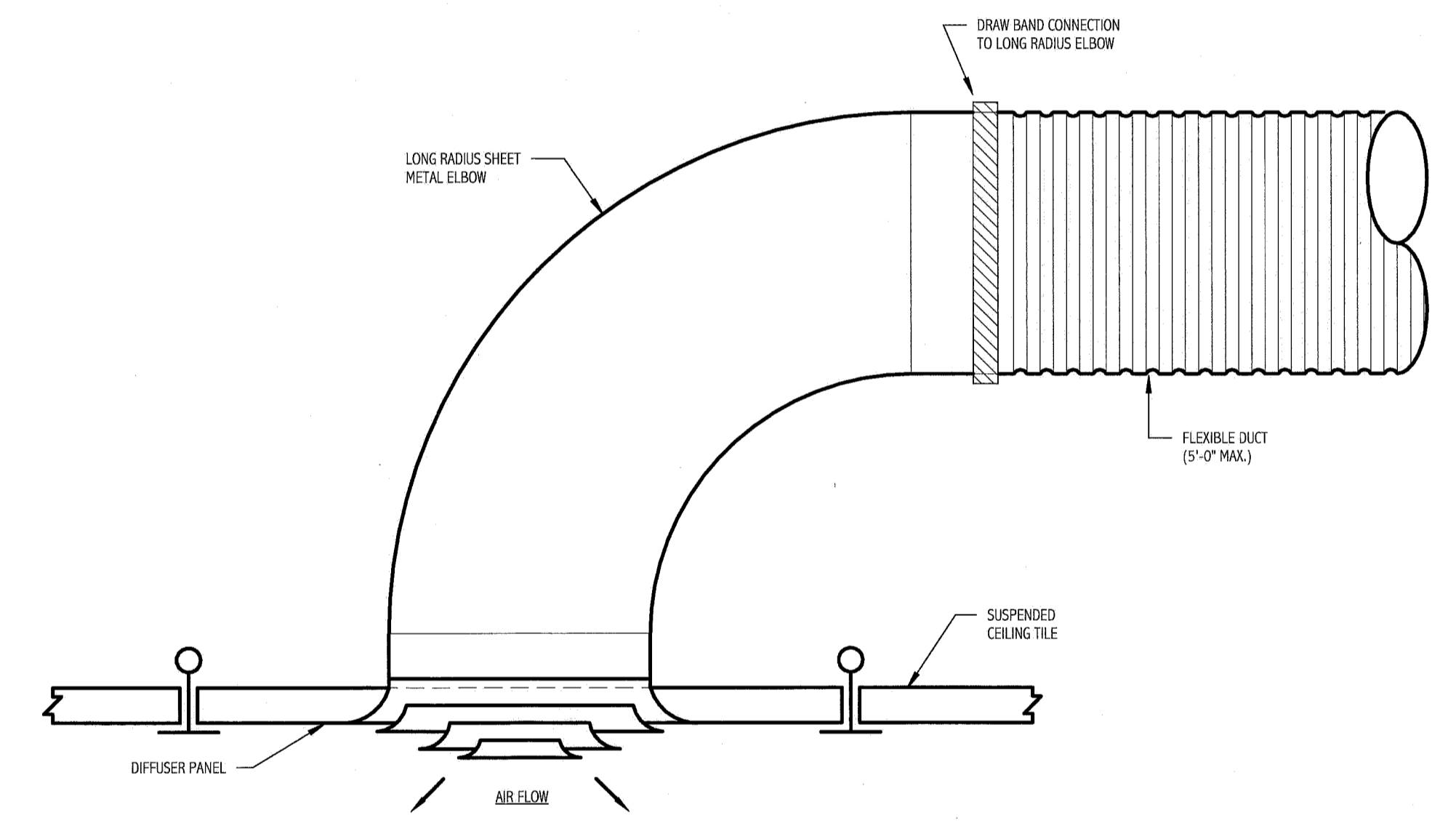
1 VAV BOX SCHEMATIC
12" = 1'-0"

DUCT SIZE	SCHEDULES VAV BOX CFM
6"Ø	0-125
8"Ø	126-250
10"Ø	251-425
12"Ø	426-700
14"Ø	701-1000
16"Ø	1001-1450

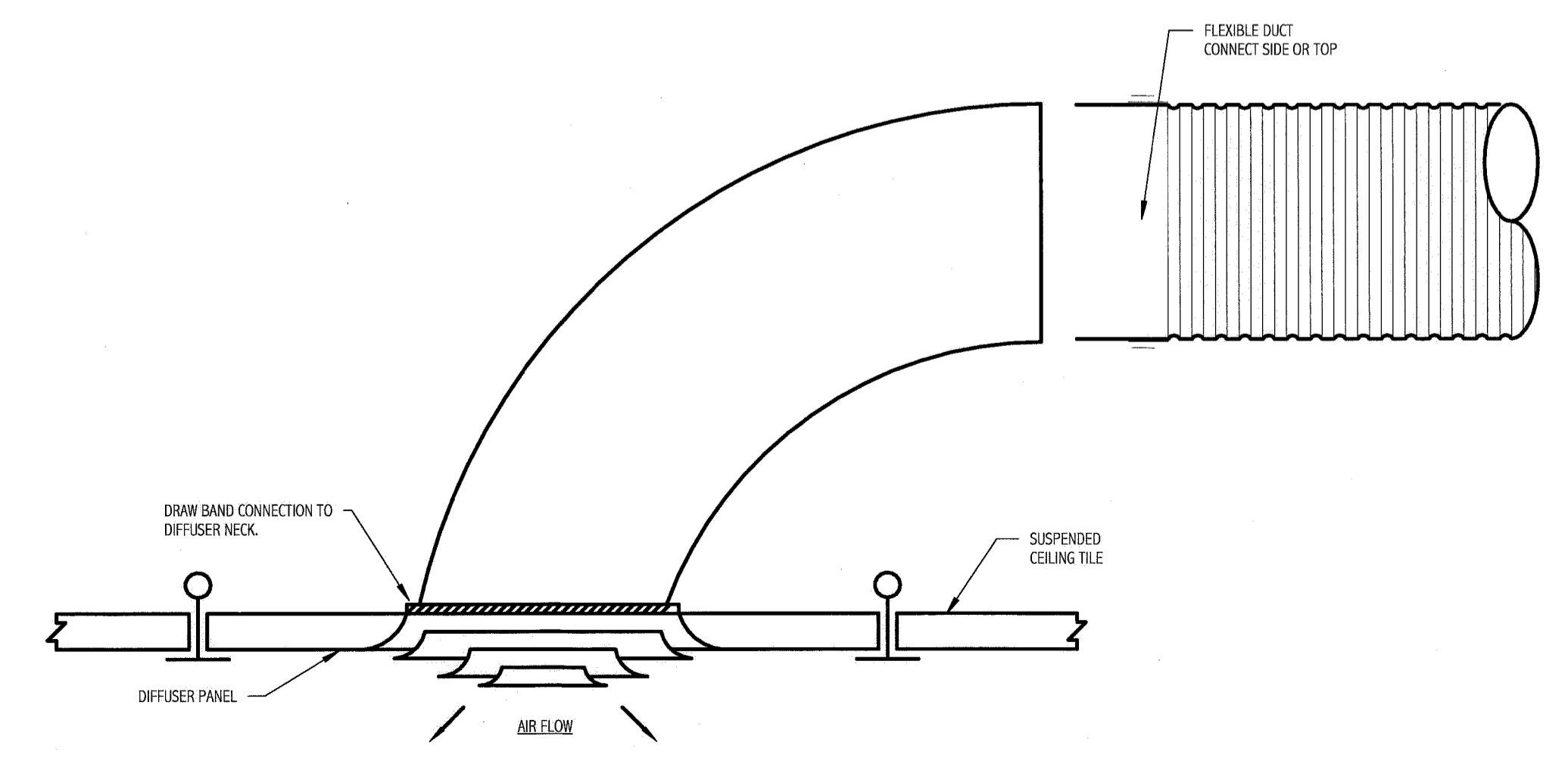
3 CHILLED WATER PIPING DETAIL. 1 TIER,
TWO-WAY VALVE
12" = 1'-0"



- NOTES:
1. SHUT OFF VALVES: BALL VALVES FOR 2" AND SMALLER PIPING, BUTTERFLY VALVES FOR 2-1/2" AND LARGER PIPING.
 2. CONNECT THE WATER SUPPLY TO THE AIR LEAVING SIDE AND THE WATER RETURN TO THE ENTERING SIDE OF THE COIL.
 3. PROVIDE DIELECTRIC UNIONS OR FLANGES WHERE DISSIMILAR METALS OCCUR.
 4. MINIMUM 5 PIPE DIA. OF STRAIGHT PIPE AT INLET AND OUTLET OF AUTOMATIC FLOW CONTROL VALVES.
 5. CONFIGURE PIPE ROUNDOUTS AND PROVIDE UNIONS OR FLANGES TO ALLOW PIPING REMOVAL FOR COIL REMOVAL CLEARANCE.

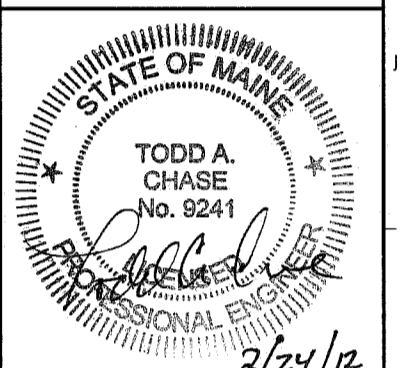
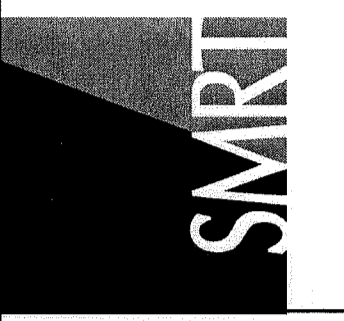


6 FLEXIBLE DUCT
NOT TO SCALE



144 Fore Street P.O. Box 618
Portland, Maine 04104
Tel: (207) 772-3646
Fax: (207) 772-1070
www.smartinc.com

ARCHITECTURE
ENGINEERING
PLANNING
INTERIOR DESIGN
COMMISSIONING



2/24/12

MAINE MEDICAL CENTER
HOLDING, RADCU & PBC RENOVATION
PORTLAND, ME

ISSUED FOR CONSTRUCTION
02.24.12

REV	DATE	DESCRIPTION
0	2.24.12	ISSUED FOR CONSTRUCTION

GRAPHIC SCALE:
0' 1'

SCALE: NOT TO SCALE
PROJECT MANAGER: DW
I/C/DRAWN BY: BAL
A/E OF RECORD: TAG
PROJECT NO: 11063
DATE: 02.24.12

SHEET TITLE:
DETAILS

SHEET No.
M-501