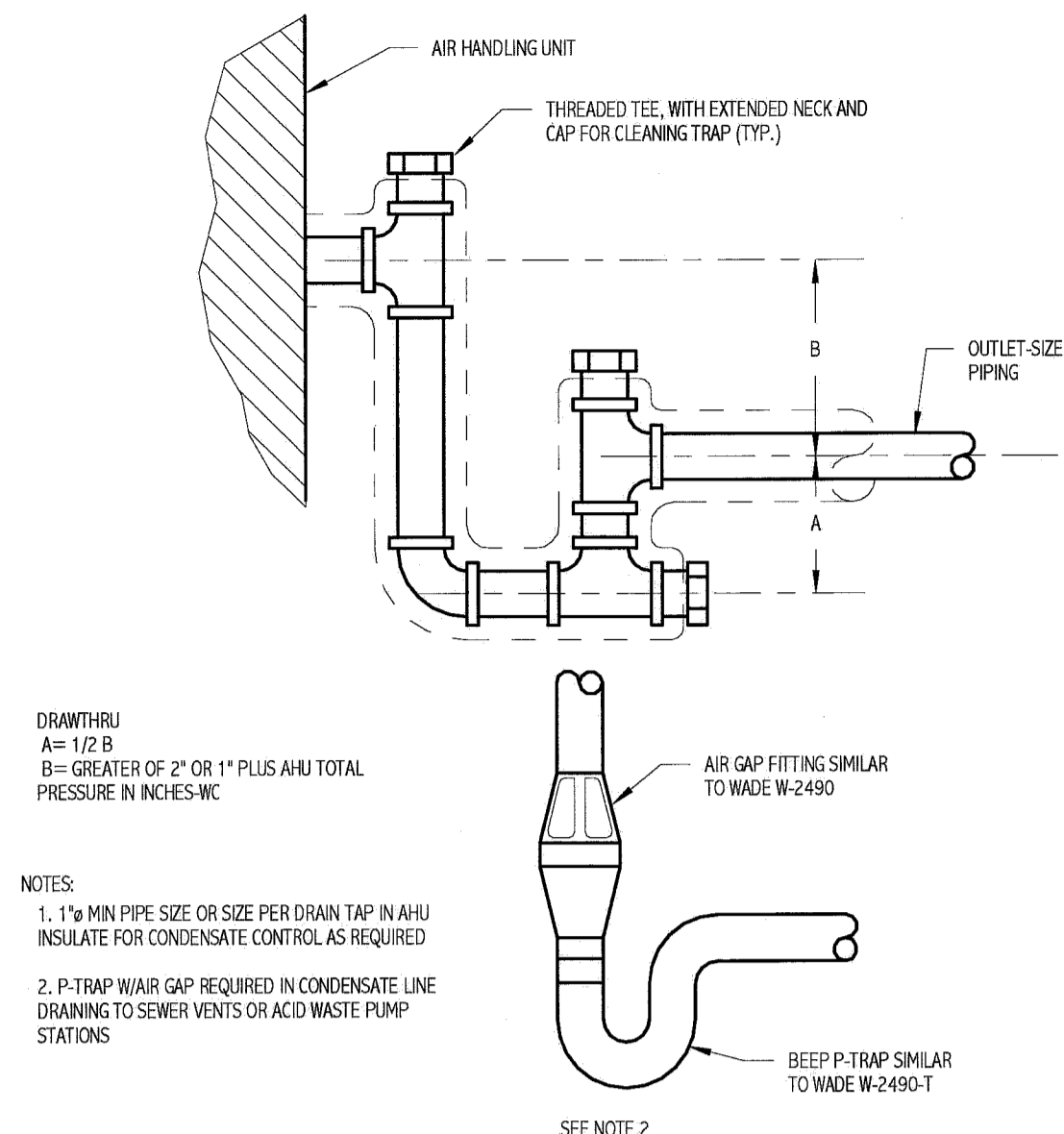


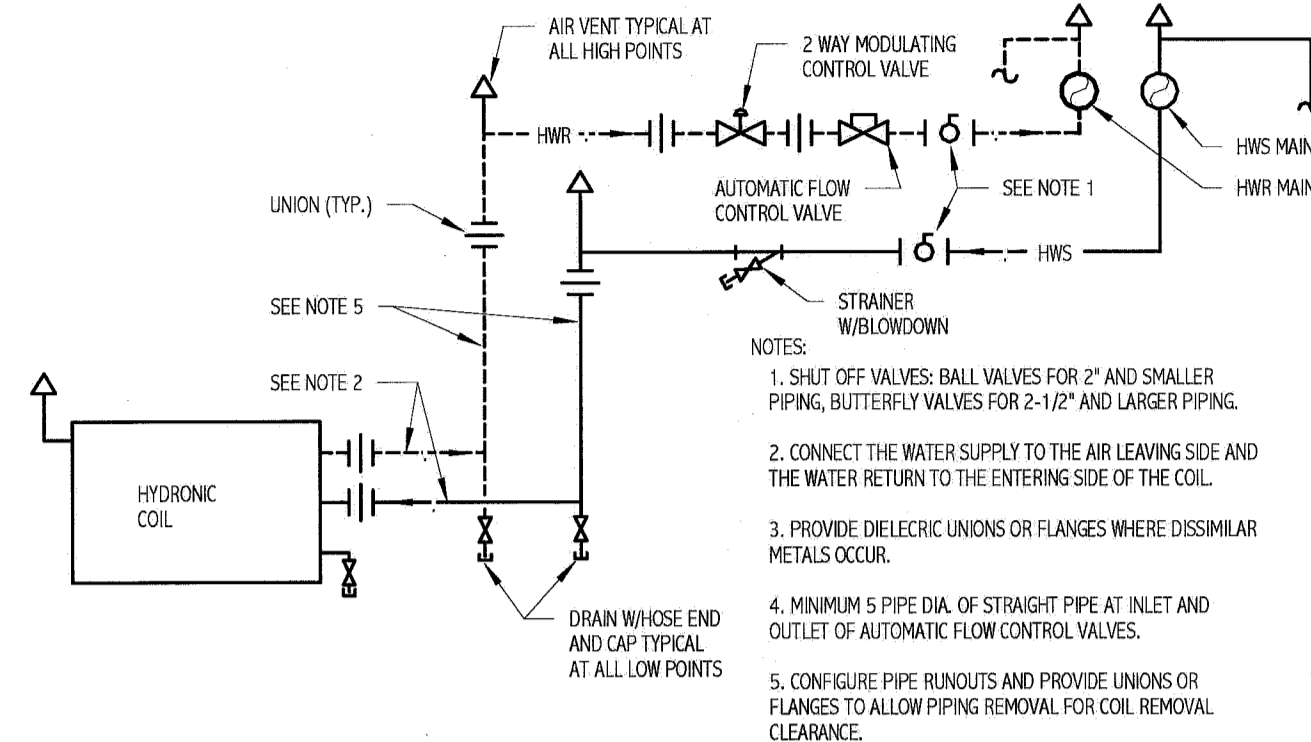
9 DUCT MAIN AND BRANCH TAKE OFF  
DETAIL  
NOT TO SCALE



DRAWING: A = 1/2 B  
B = GREATER OF 2" OR 1" PLUS AHU TOTAL PRESSURE IN INCHES WC

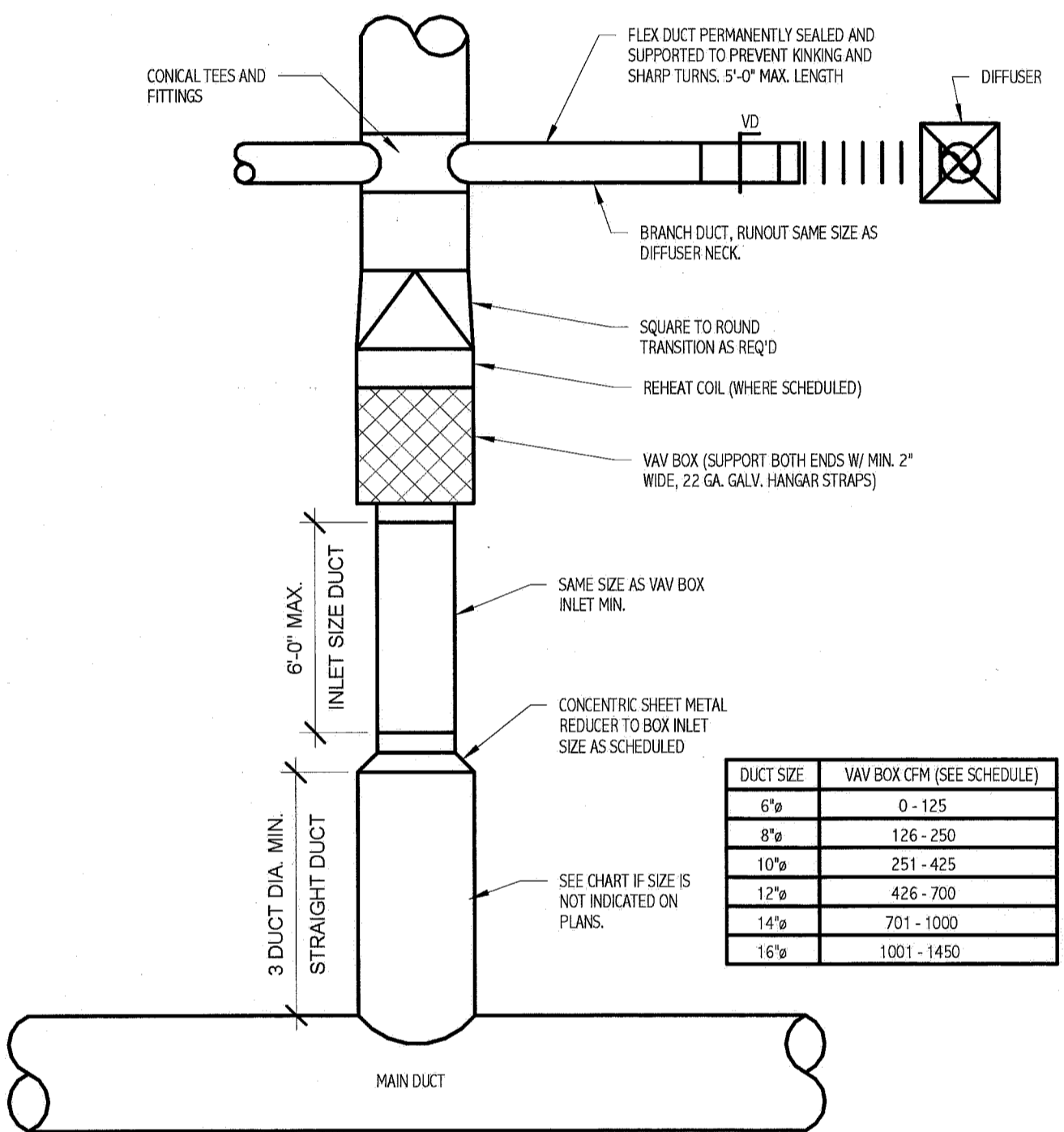
NOTES:  
1. 1/2" MIN PIPE SIZE OR SIZE PER DRAIN TAP IN AHU INSULATE FOR CONDENSATE CONTROL AS REQUIRED.  
2. P-TRAP WITH AIR GAP REQUIRED IN CONDENSATE LINE DRAINING TO SEWER VENTS OR ACID WASTE PUMP STATIONS.

10 CONDENSATE DRAIN TRAP DETAIL  
NOT TO SCALE

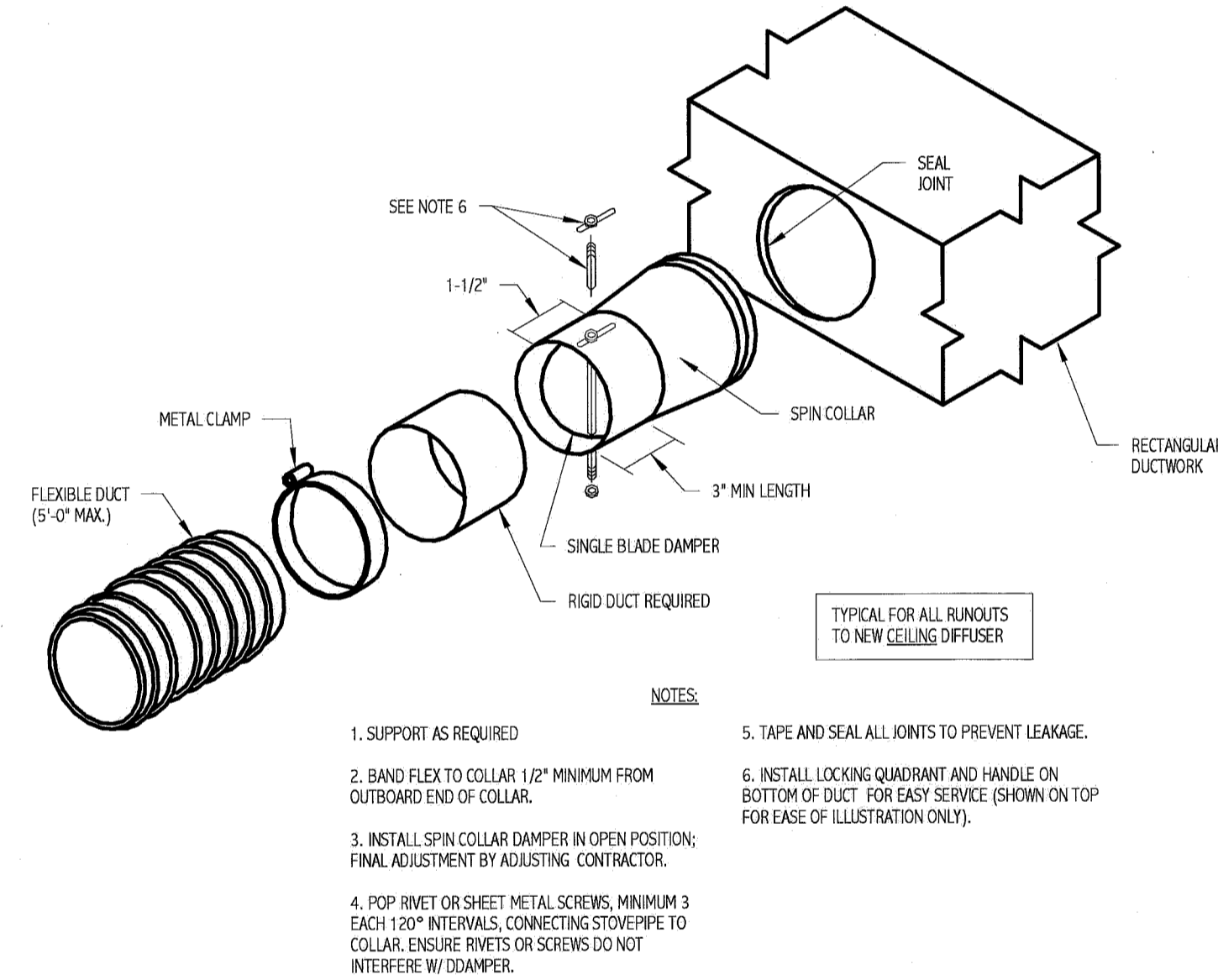


NOTES:  
1. SHUT OFF VALVES: BALL VALVES FOR 2" AND SMALLER PIPING, BUTTERFLY VALVES FOR 2-1/2" AND LARGER PIPING.  
2. CONNECT THE WATER SUPPLY TO THE AIR LEAVING SIDE AND THE WATER RETURN TO THE ENTERING SIDE OF THE COIL.  
3. PROVIDE DIELECTRIC UNIONS OR FLANGES WHERE DISSIMILAR METALS OCCUR.  
4. MINIMUM 5 PIPE DIA. OF STRAIGHT PIPE AT INLET AND OUTLET OF AUTOMATIC FLOW CONTROL VALVES.  
5. CONFIGURE PIPE RUNOUTS AND PROVIDE UNIONS OR FLANGES TO ALLOW PIPING REMOVAL FOR COIL REMOVAL CLEARANCE.

11 REHEAT COIL PIPING DETAIL, TWO WAY VALVE  
NOT TO SCALE

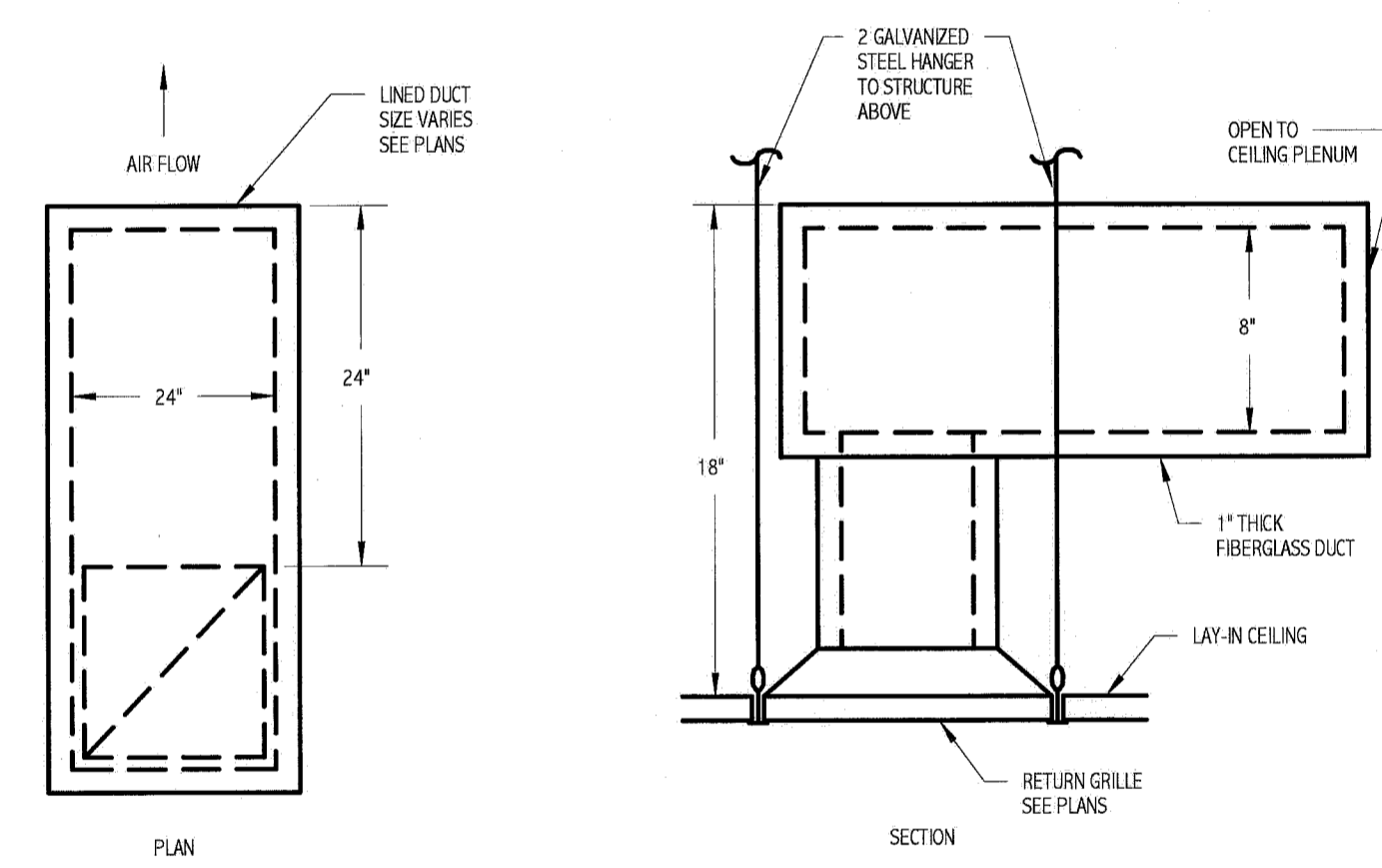


6 VAV BOX DUCTWORK SCHEMATIC  
NOT TO SCALE

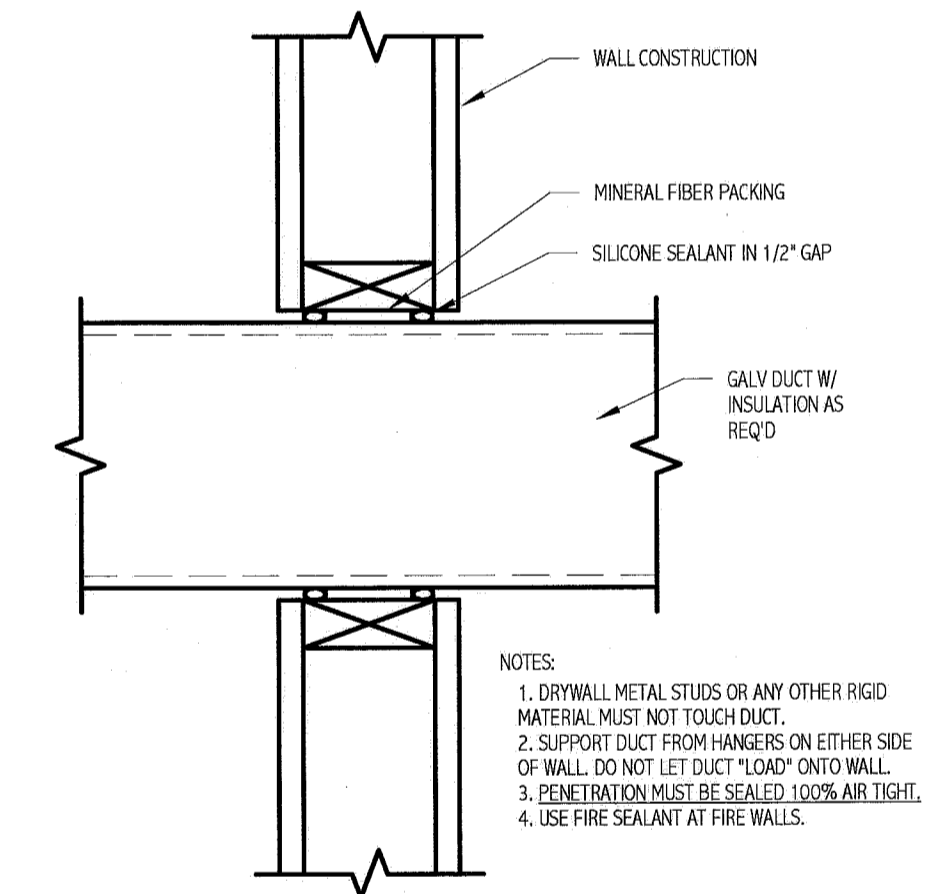


NOTES:  
1. SUPPORT AS REQUIRED.  
2. BAND FLEX TO COLLAR 1/2" MINIMUM FROM OUTBOARD END OF COLLAR.  
3. INSTALL SPIN COLLAR DAMPER IN OPEN POSITION; FINAL ADJUSTMENT BY ADJUSTING CONTRACTOR.  
4. POP RIVET OR SHEET METAL SCREWS, MINIMUM 3 EACH 120" INTERVALS, CONNECTING STOVEPIPE TO COLLAR. ENSURE RIVETS OR SCREWS DO NOT INTERFERE WITH DAMPER.  
5. TAPE AND SEAL ALL JOINTS TO PREVENT LEAKAGE.  
6. INSTALL LOCKING QUADRANT AND HANDLE ON BOTTOM OF DUCT FOR EASY SERVICE (SHOWN ON TOP FOR EASE OF ILLUSTRATION ONLY).

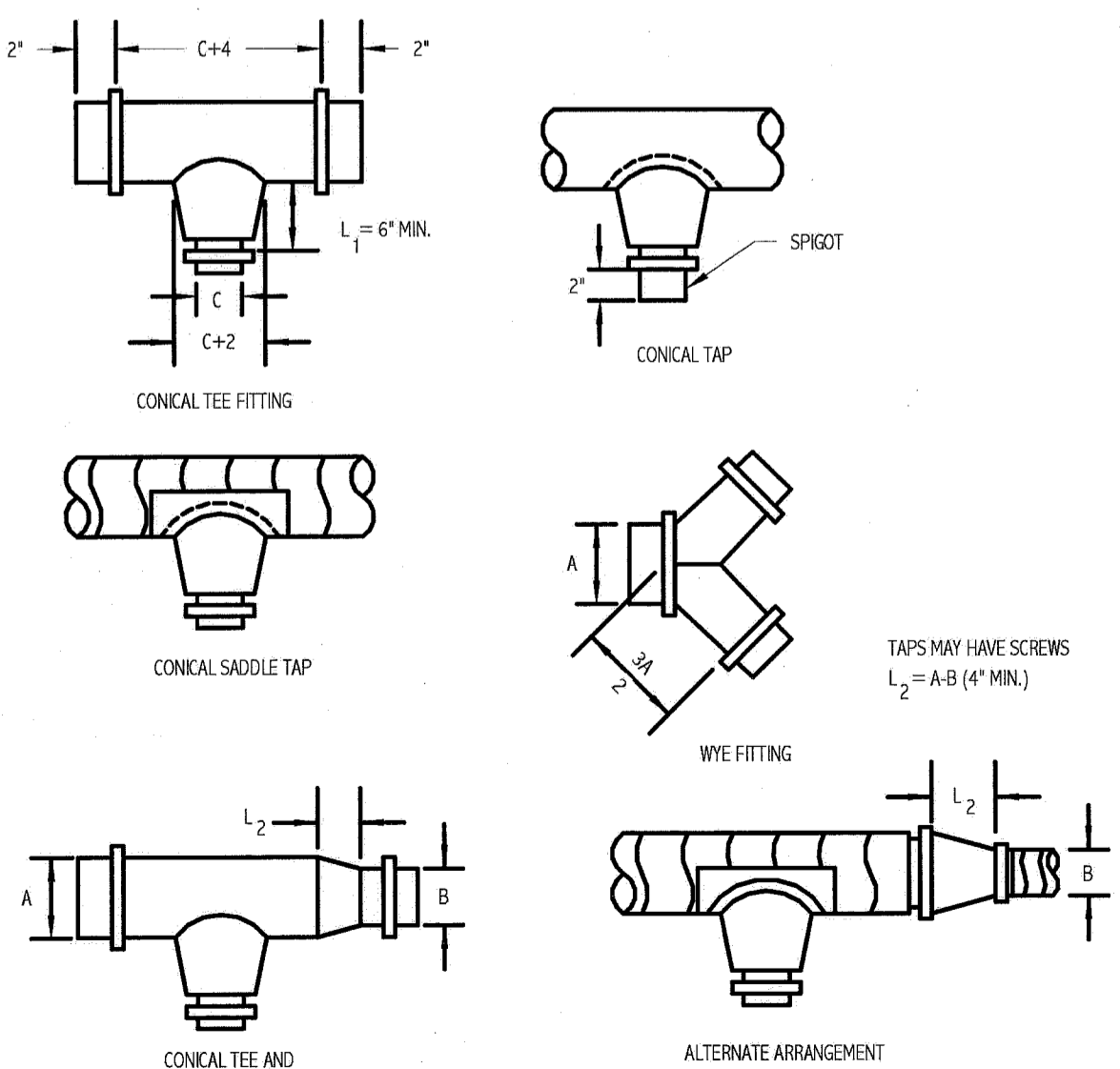
5 SPIN COLLAR DUCT CONNECTOR WITH DAMPER  
NOT TO SCALE



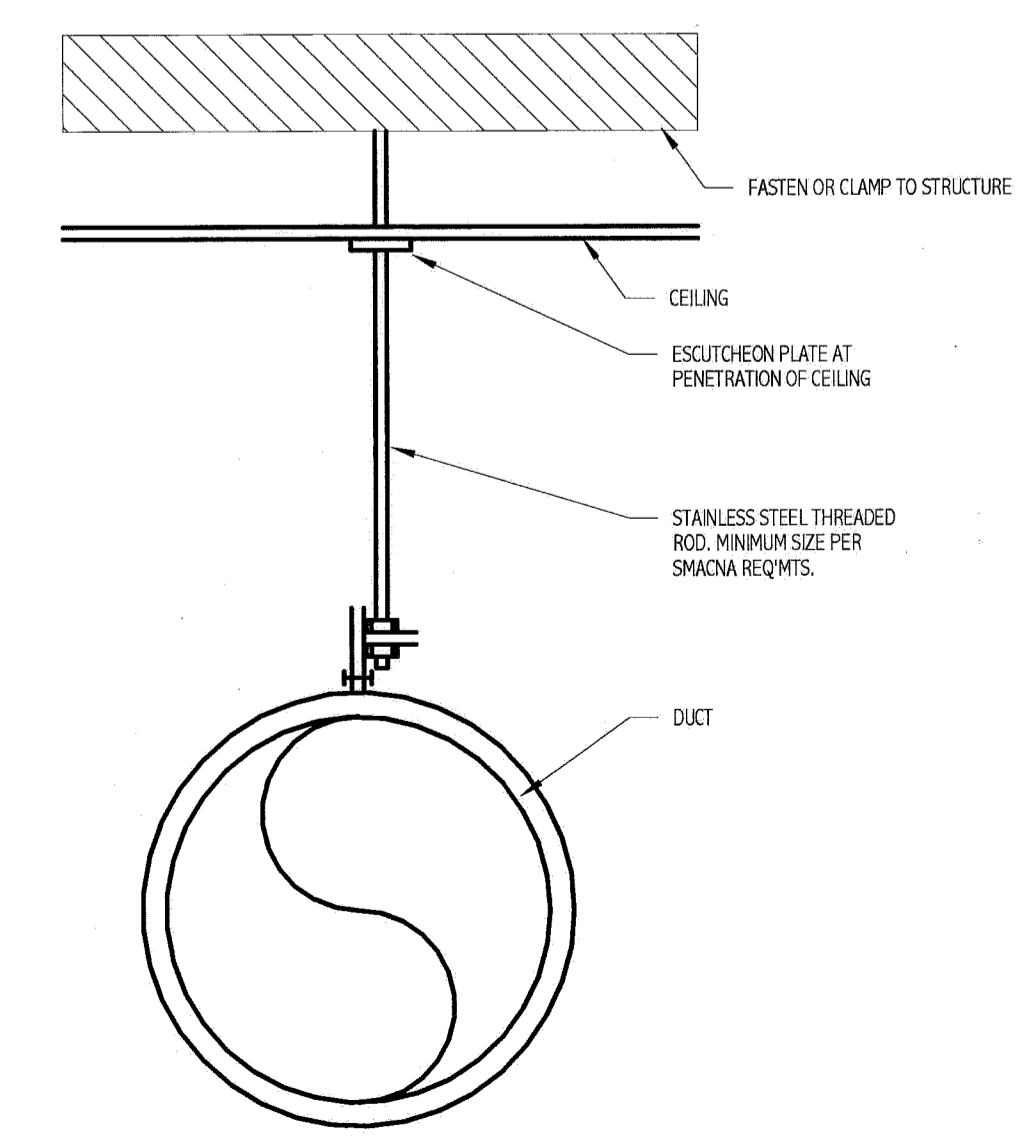
7 RETURN /EXHAUST GRILL AIR BOOT  
DETAIL  
NOT TO SCALE



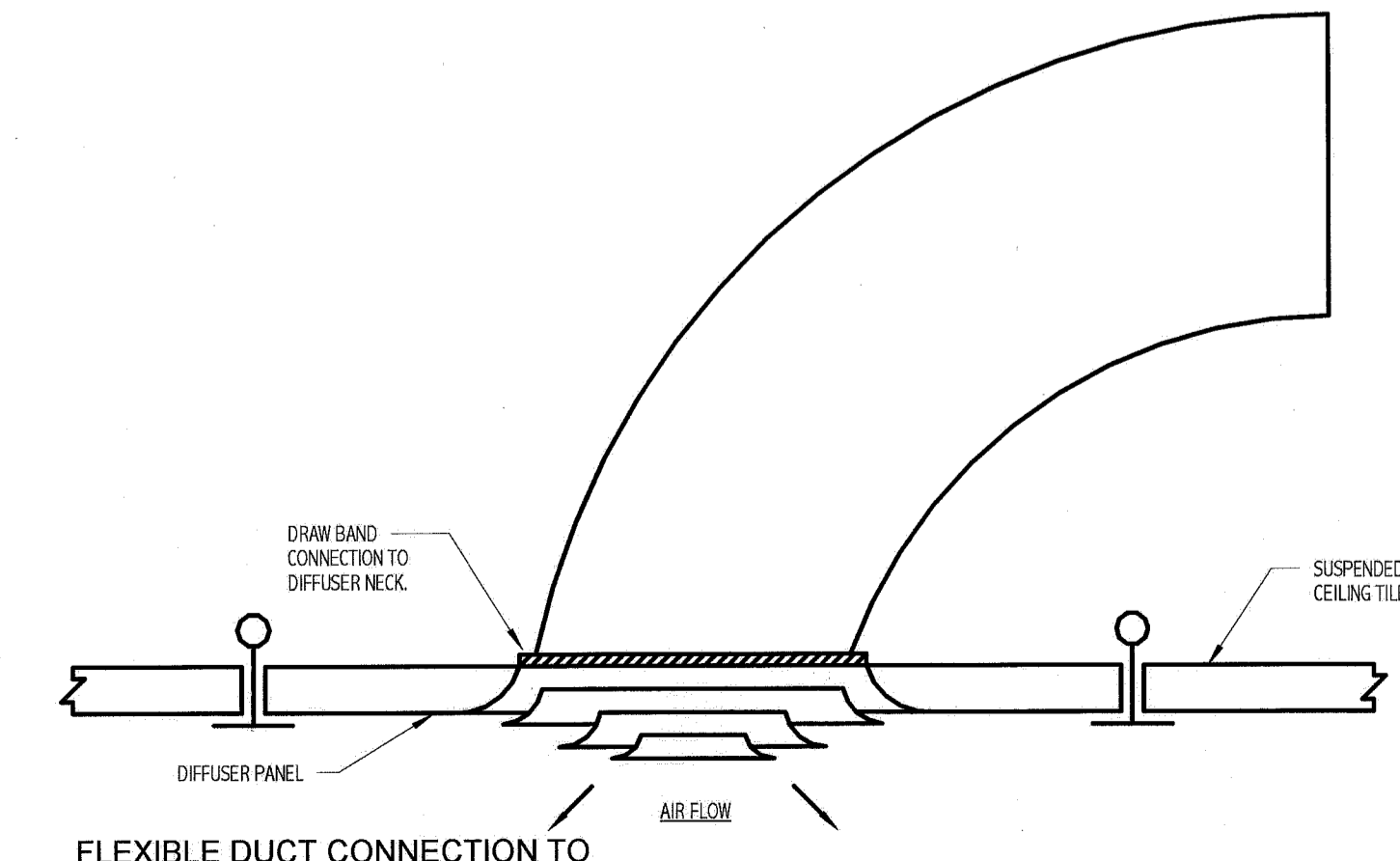
8 METAL DUCT WALL PENETRATION  
DETAIL  
NOT TO SCALE



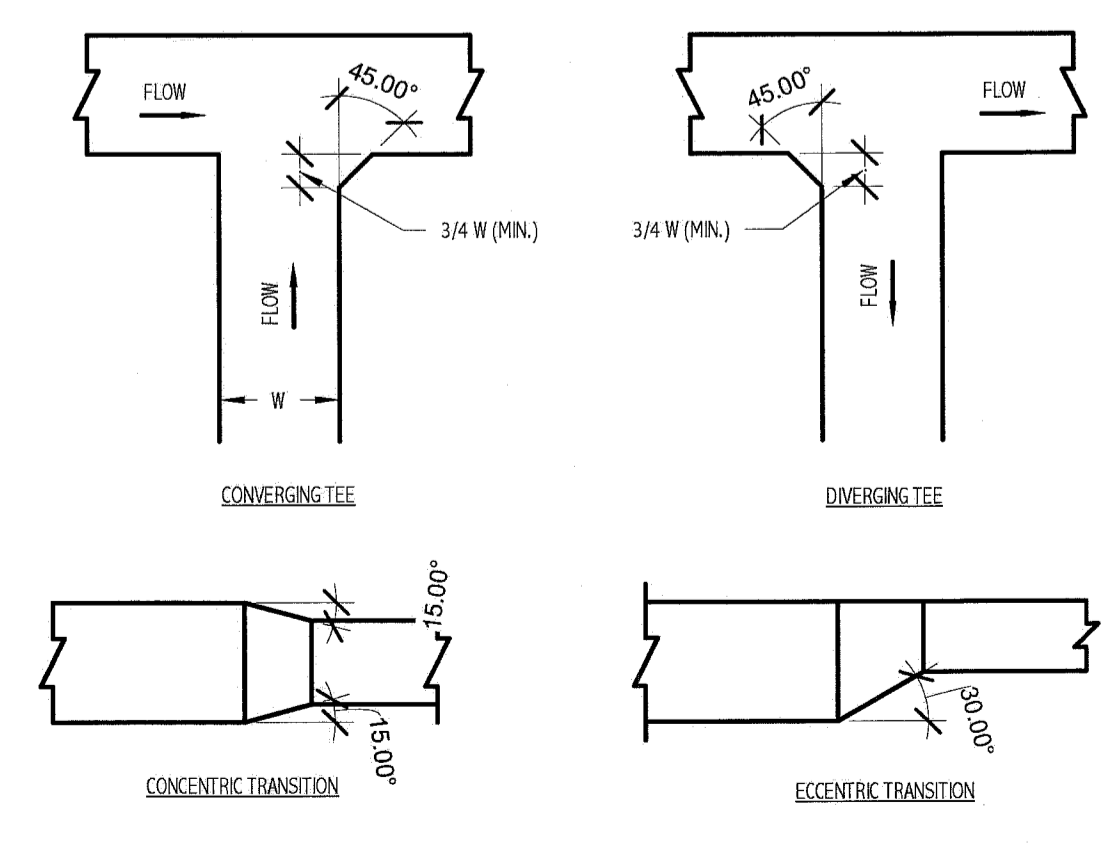
1 CONICAL TEE DETAILS  
NOT TO SCALE



2 DUCT HANGER DETAIL  
NOT TO SCALE



3 FLEXIBLE DUCT CONNECTION TO DIFFUSER DETAIL  
NOT TO SCALE



4 DUCT TRANSITION DETAILS  
NOT TO SCALE

GENERAL NOTES:  
1. SEE SHEET M-001 FOR LEGEND AND GENERAL NOTES.

144 Free Street, P.O. Box 618  
Portland, Maine 04109  
Tel: (207) 772-3886  
Fax: (207) 772-0770  
www.smr-inc.com

ARCHITECTURE  
ENGINEERING  
PLANNING  
INTERIOR DESIGN  
COMMISSIONING

**SMRI**

TODD A. CHASE  
No. 8941  
REGISTERED PROFESSIONAL ENGINEER

1-24-12

MAINE MEDICAL CENTER  
ANGIO SINGLE PLANE - ROOM 2  
PORTLAND, ME

ISSUED FOR PERMITTING  
01.27.12

CURRENT ISSUE STATUS:

REV	DATE	DESCRIPTION

GRAPHIC SCALE:  
0" 1"

SCALE: NOT TO SCALE

PROJECT MANAGER: DNV  
I.C/DRAWN BY: KPS  
A/E OF RECORD: TAC  
PROJECT NO.: 11127  
DATE: 08.24.10  
SHEET TITLE: MECHANICAL DETAILS

SHEET No. M-501