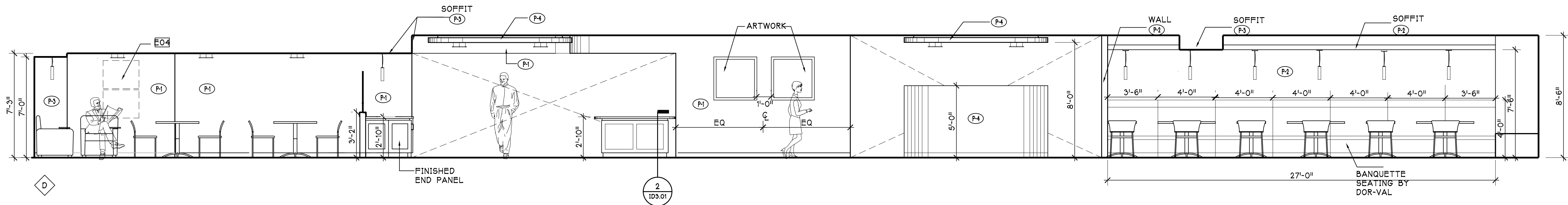
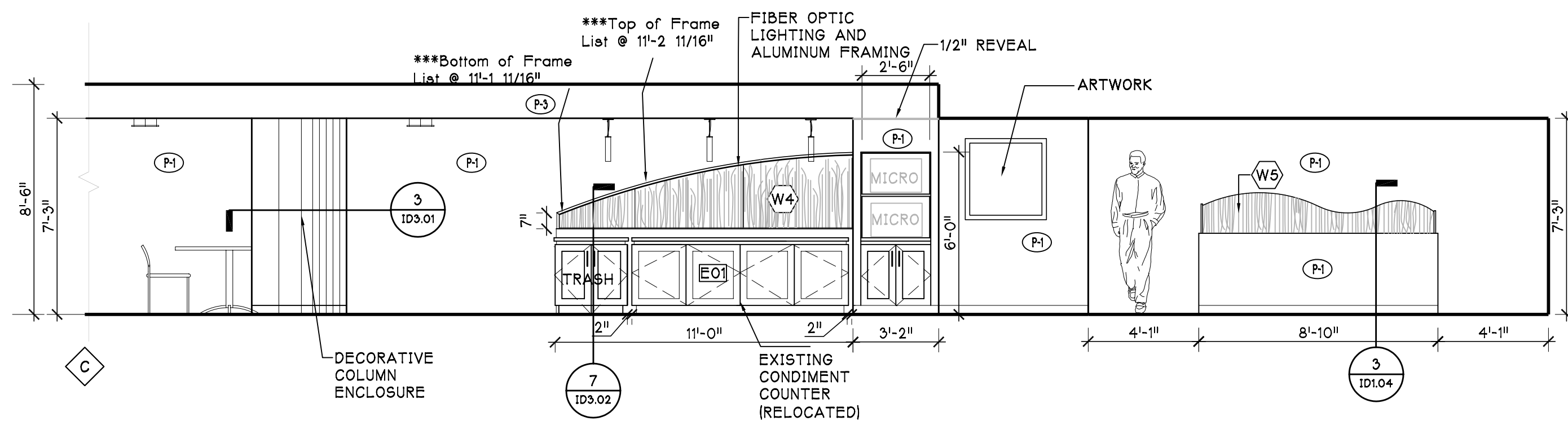


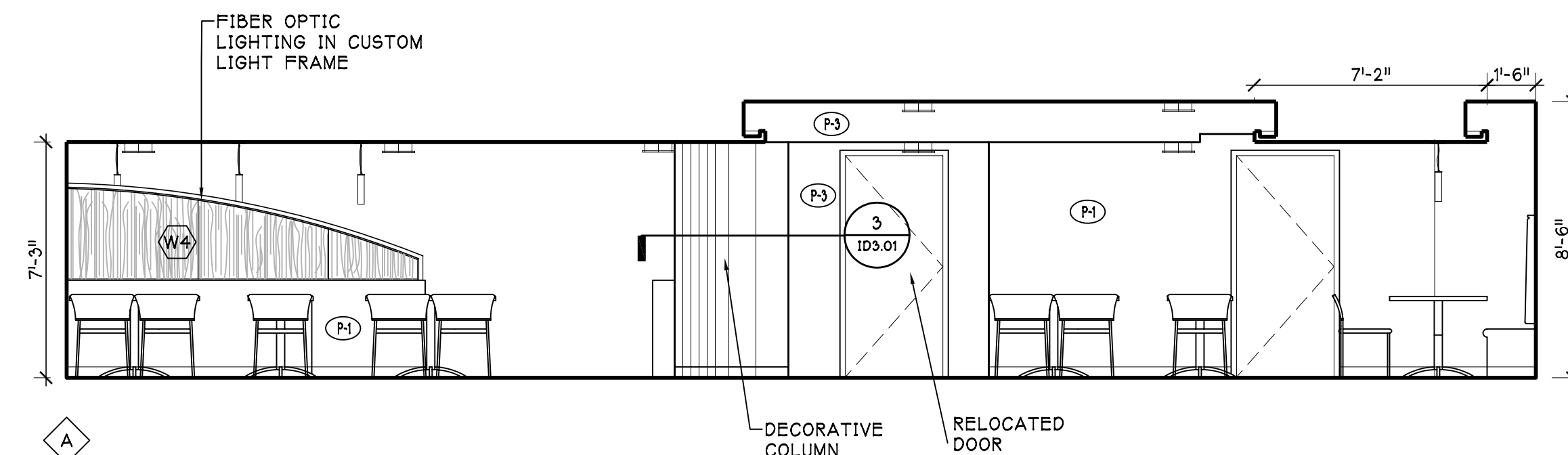
1 MAIN WALKWAY
1/4" = 1'-0"



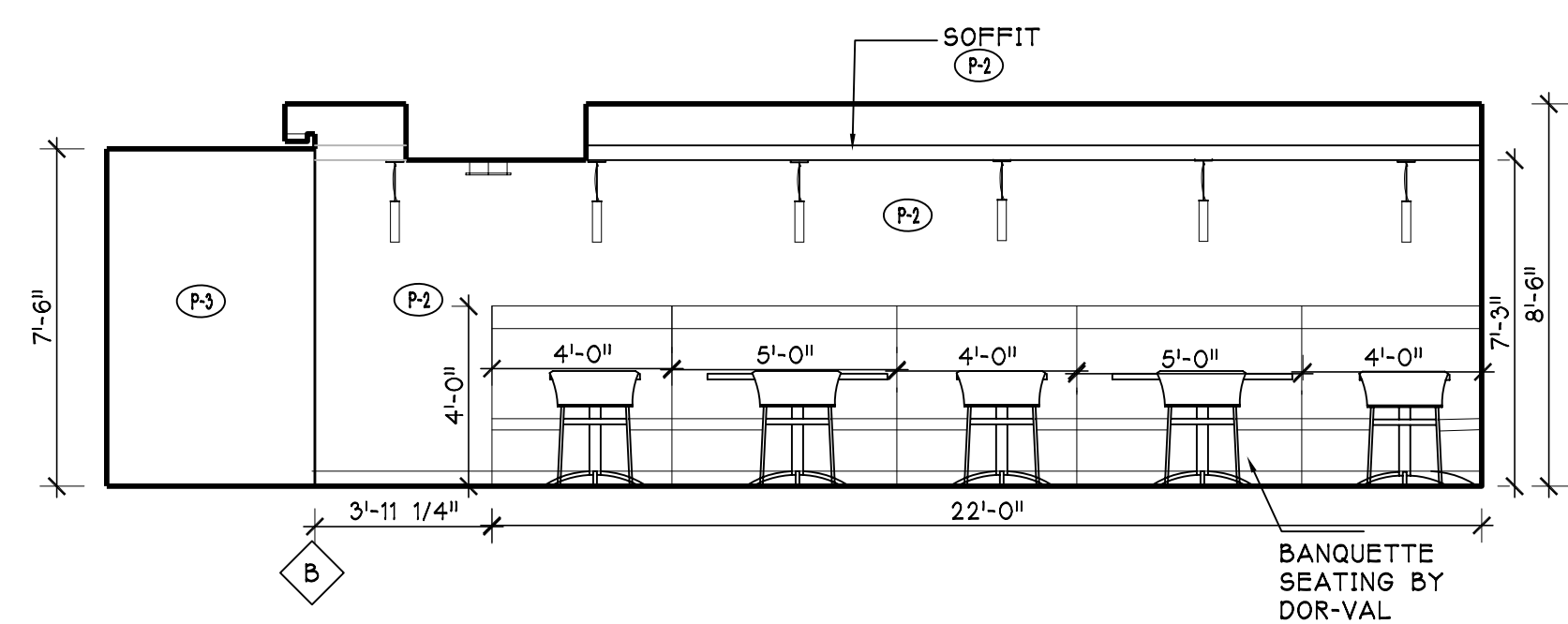
1 MAIN WALKWAY
1/4" = 1'-0"



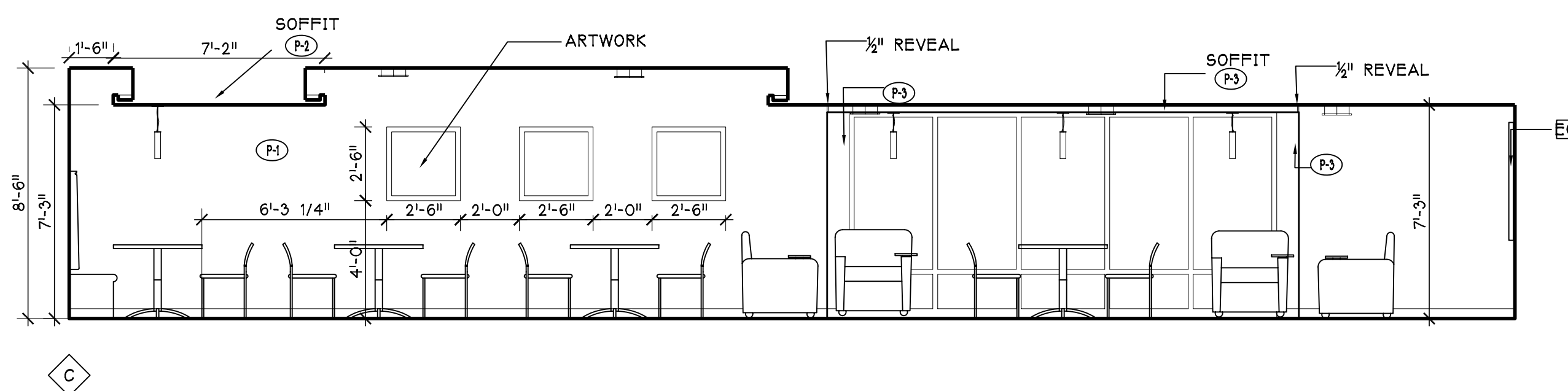
1 MAIN WALKWAY
1/4" = 1'-0"



2 DINING AREA 2
1/4" = 1'-0"



2 DINING AREA 2
1/4" = 1'-0"



2 DINING AREA 2
1/4" = 1'-0"

**MAINE MEDICAL CENTER
IMPRESSIONS CAFE**
Portland, Maine

Scale: AS NOTED
Project Number: 07-P412.00
Date: AUG 6, 2007
Revisions:

CONSTRUCTION SET

ID2.01

© Copyright 2006, JSA, Inc