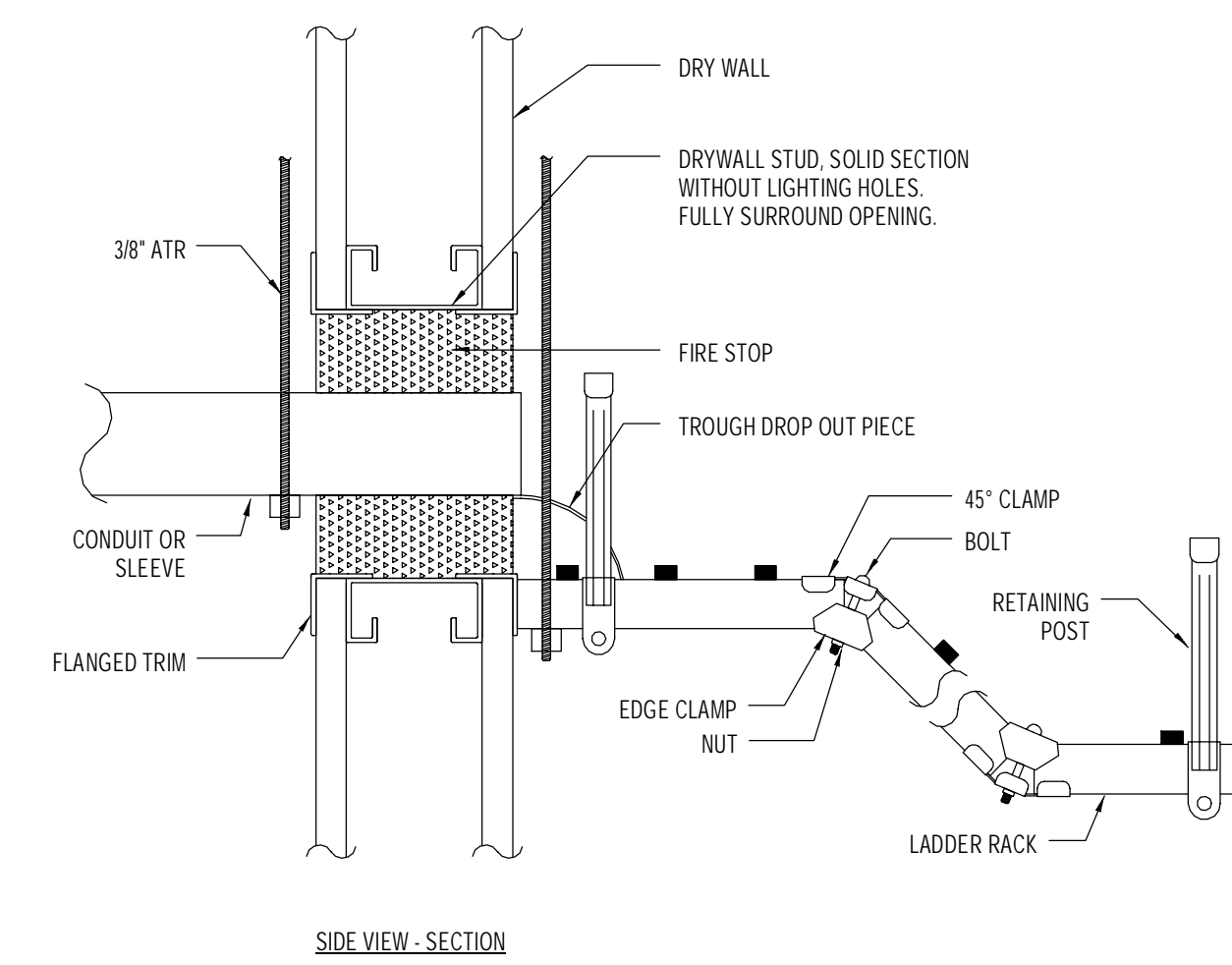
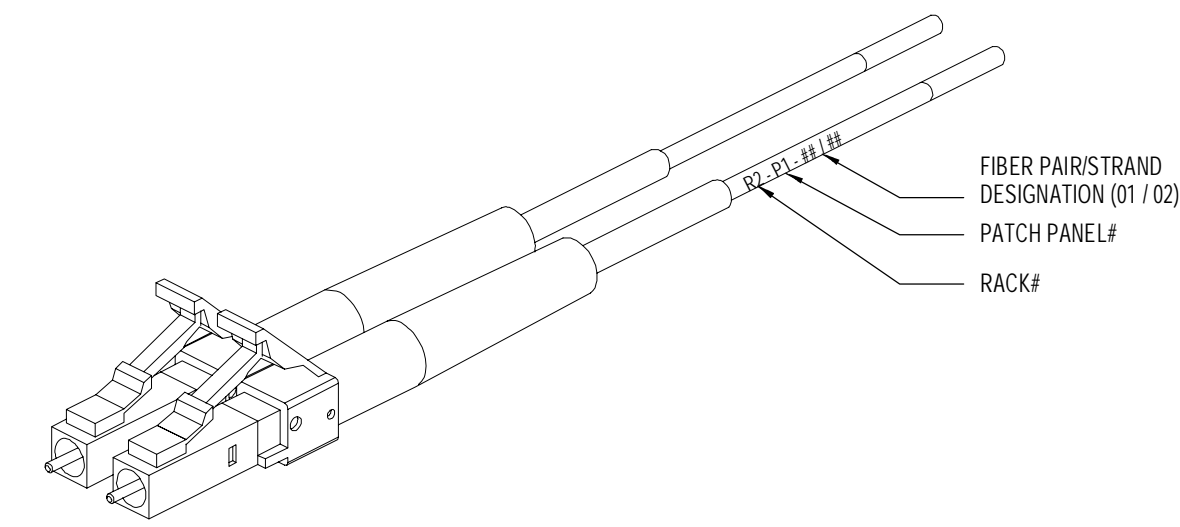


PERMIT SET	03.28.16	
PERMIT SET	03.08.16	
DESIGN DEVELOPMENT	08.25.17	
NO.	ISSUE	DATE
Job Number	B150311-000	
Drawn	RS	
Checked	BN	
Approved	BN	

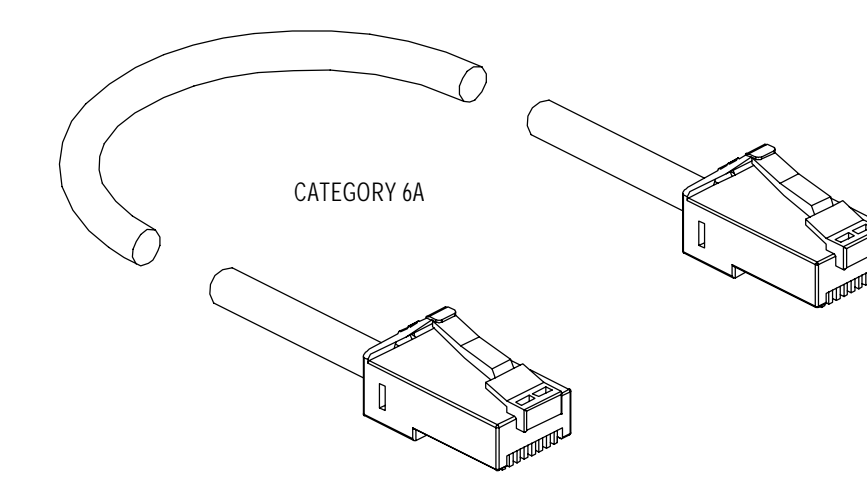


5 CONDUIT TO LADDER RACK DETAIL
SCALE: NONE



- NOTES:
1. PROVIDE COMPUTER GENERATED LABEL 4 INCHES FROM TERMINATION AT BOTH ENDS. HANDWRITTEN LABELS SHALL BE CONSIDERED UNACCEPTABLE.
 2. JACKS AND OTHER TERMINATION DEVICES SHALL BE INSTALLED INCLUSIVE OF ALL HARDWARE INCLUDING, BUT NOT LIMITED TO DUST CAPS, ICONS, ETC.

3 FIBER CABLE LABELING DETAIL
SCALE: NONE

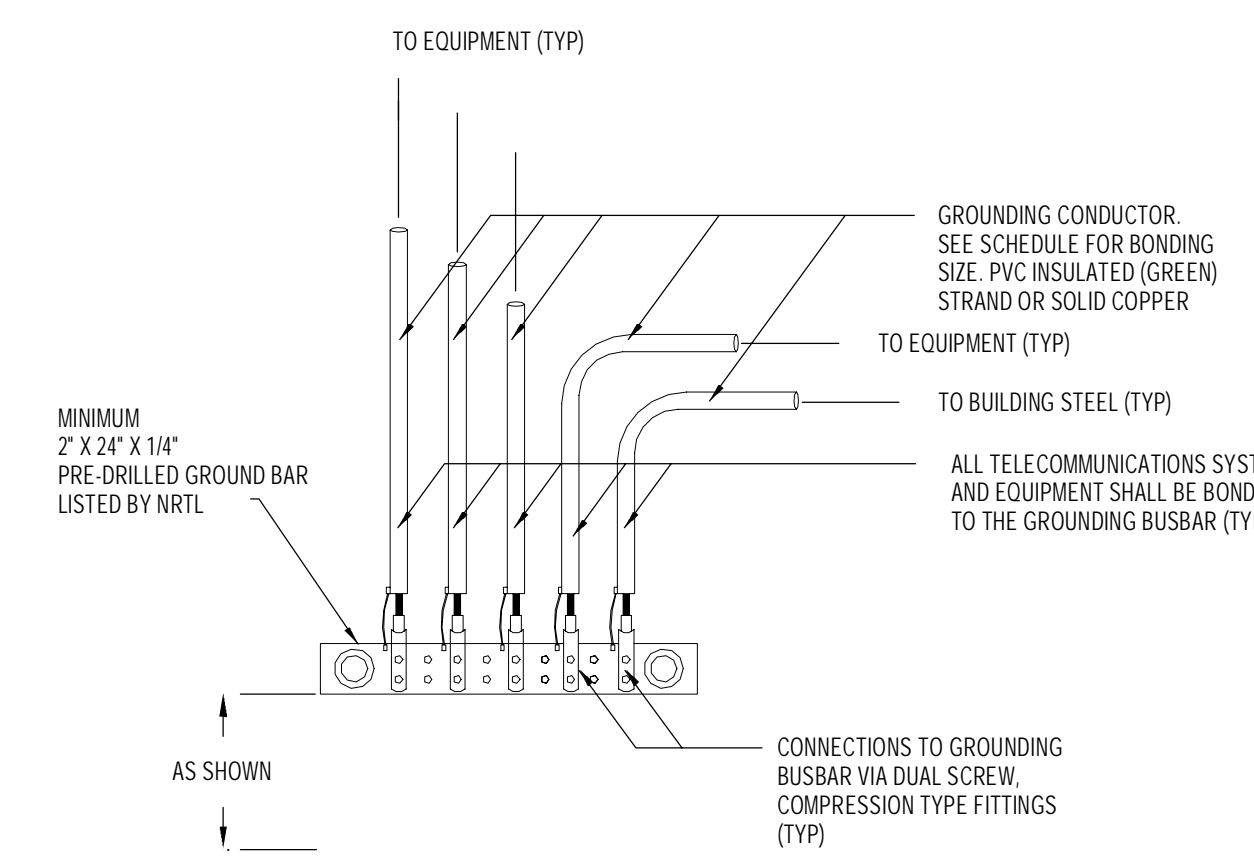


FURNISH & INSTALL FOLLOWING CORDS:

COLOR	LENGTH	QUANTITY
BLUE	5' 7' 10' 15'	AS REQUIRED
WHITE	AS REQUIRED	

- NOTES:
1. CONTRACTOR SHALL CONFIRM ALL FINAL QUANTITIES, COLOR AND LENGTH WITH CLIENT PRIOR TO PURCHASING ANY PATCHING.
 2. ALL CORDS SHALL BE CATEGORY 6A CORDS, WITH SNAKELESS PLUGS.
 3. PROVIDE 7' PATCH CORD AT STATION, OFFICE AND PRINTER. LENGTH AS REQUIRED INSIDE TELECOM ROOM. QTY AS REQUIRED.

1 PATCH CORD LABELING & QUANTITY
SCALE: NONE



4 GROUNDING BUSBAR DETAIL
SCALE: NONE

GROUNDING & BONDING CONDUCTOR SIZING	
CONDUCTOR LENGTH	SIZE (INCH)
UP TO 50 FEET	#4 AWG SOLID OR STRANDED (0.16 INCH)
50 TO 100 FEET	#4 AWG STRANDED (0.20 INCH)
100 TO 150 FEET	#2 AWG STRANDED (0.26 INCH)
150 TO 200 FEET	#1/0 AWG STRANDED (0.42 INCH)
GREATER THAN 200 FEET	#3/0 AWG STRANDED (0.580 INCH)

GROUNDING & BONDING NOTES:

1. ALL RACKS, CABINETS, LADDER RACK & CONDUITS SHALL BE PROPERLY BONDED TO THE TELECOMMUNICATIONS GROUNDING BUSBAR. REFER TO THE GROUNDING & BONDING CONDUCTOR SIZING SCHEDULE.
2. SEE 100-01 FOR GROUNDING & BONDING GENERAL NOTES.
3. PROVIDE BONDING JUMPER FOR ALL LADDER RACK SECTION, CROSS, AND CORNERS.

2 GROUND CONDUCTOR SIZING SCHEDULE
SCALE: NONE