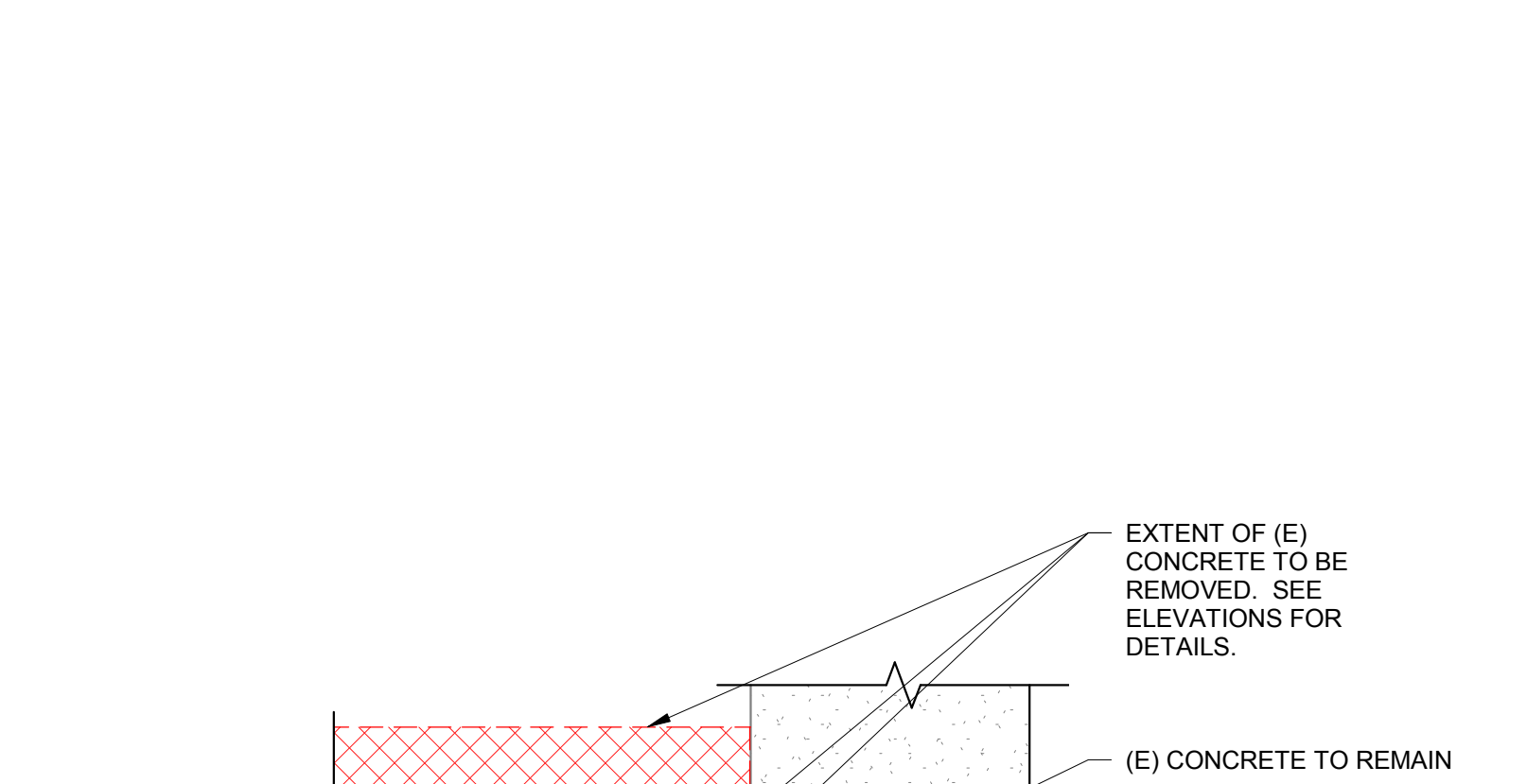
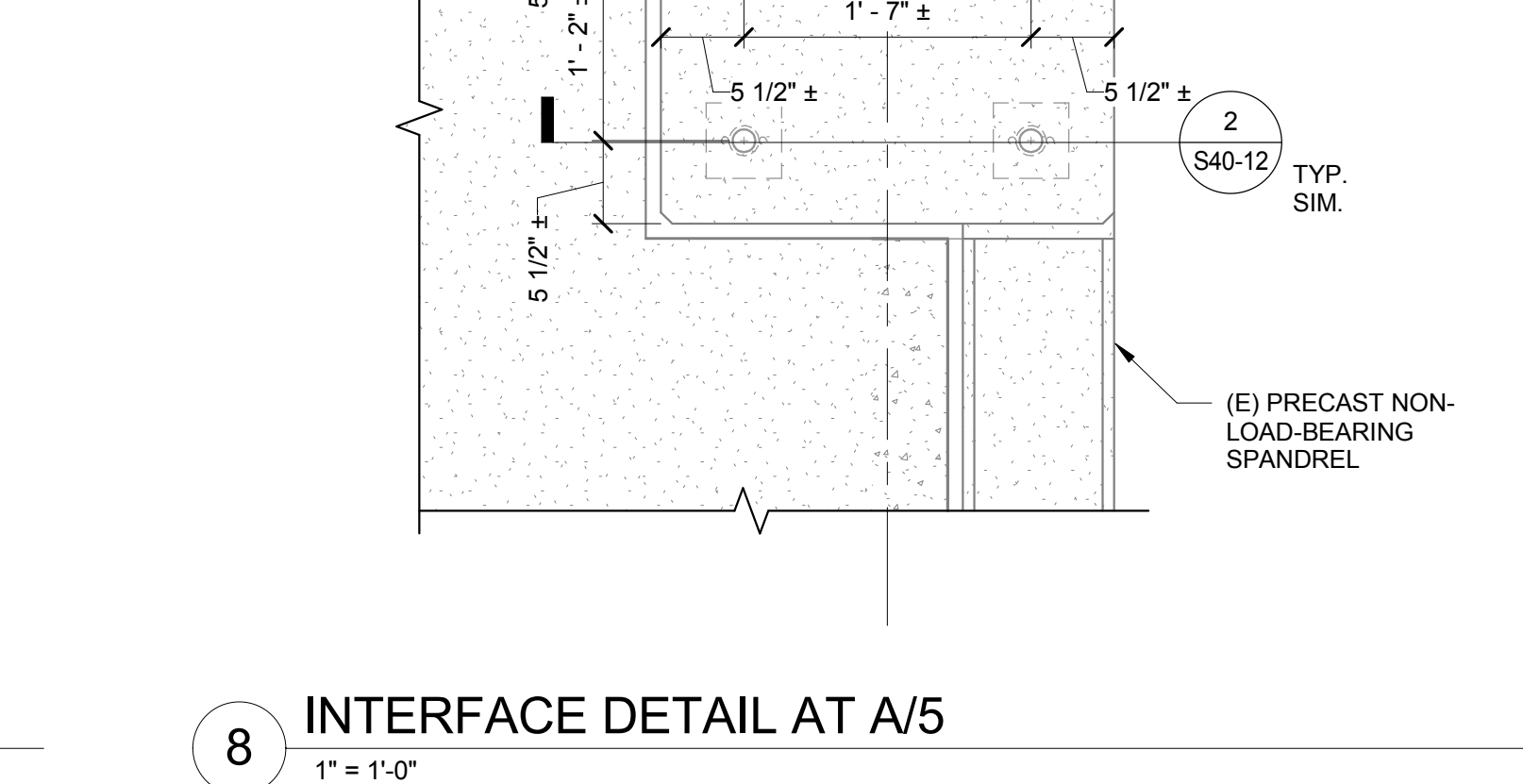
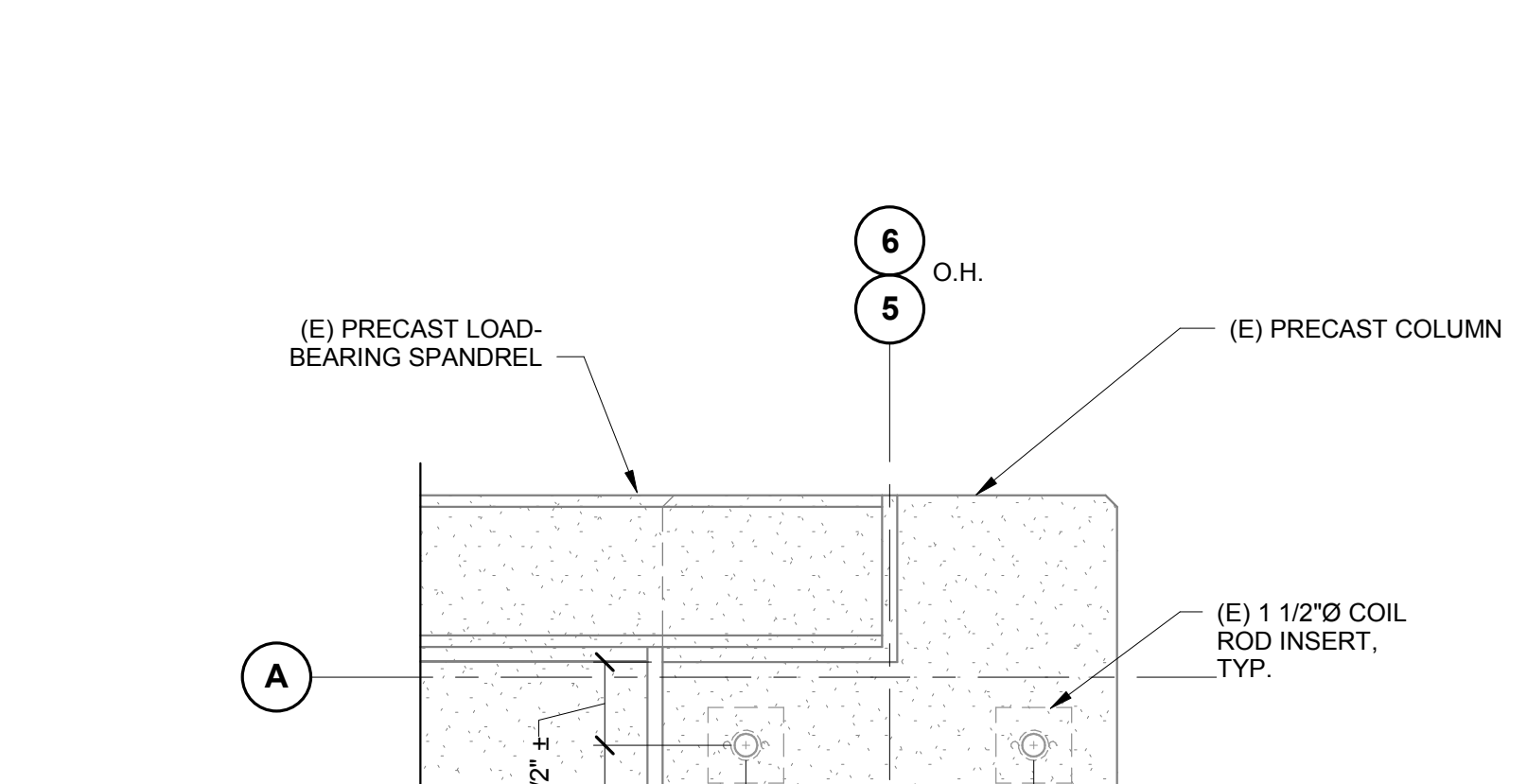
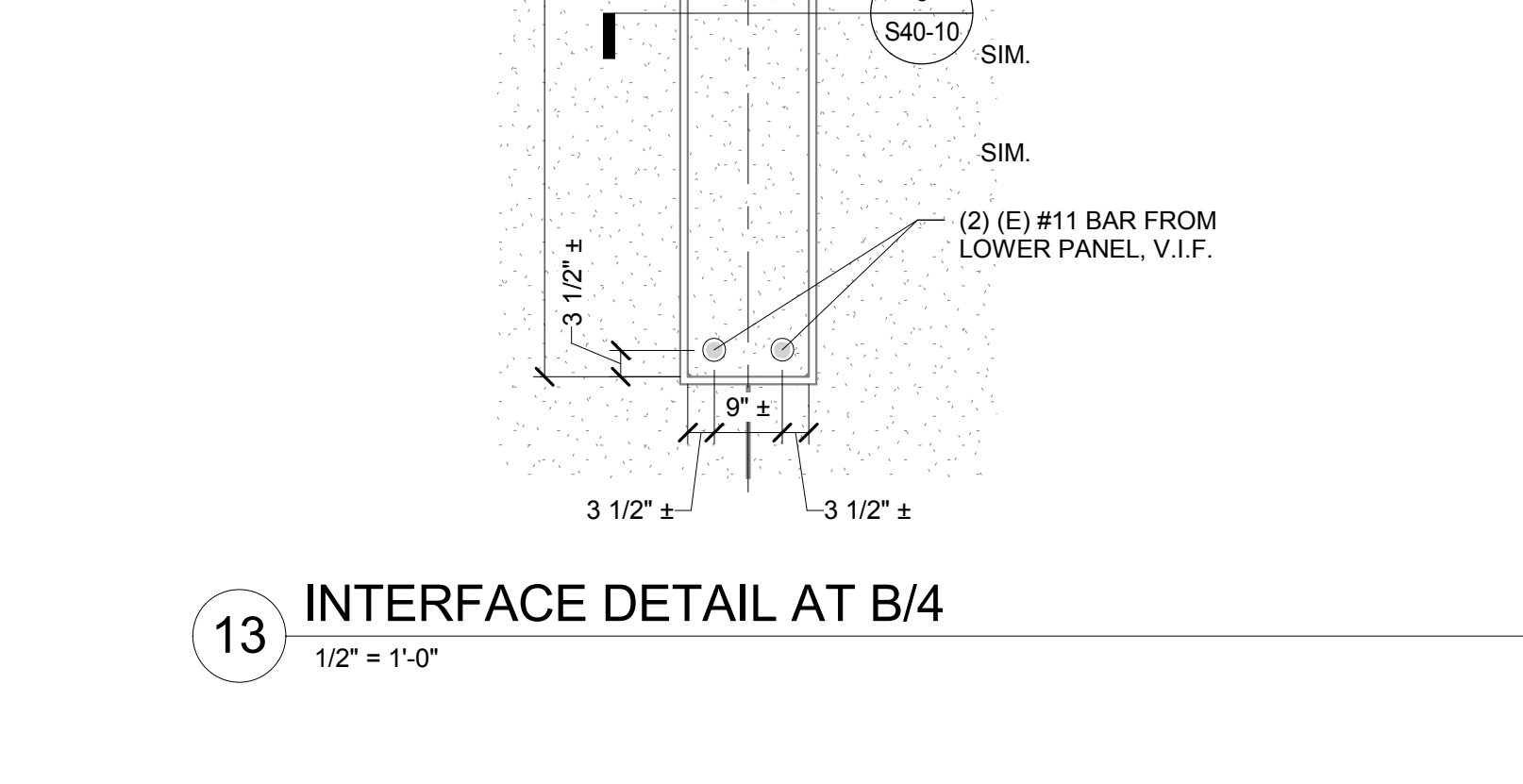
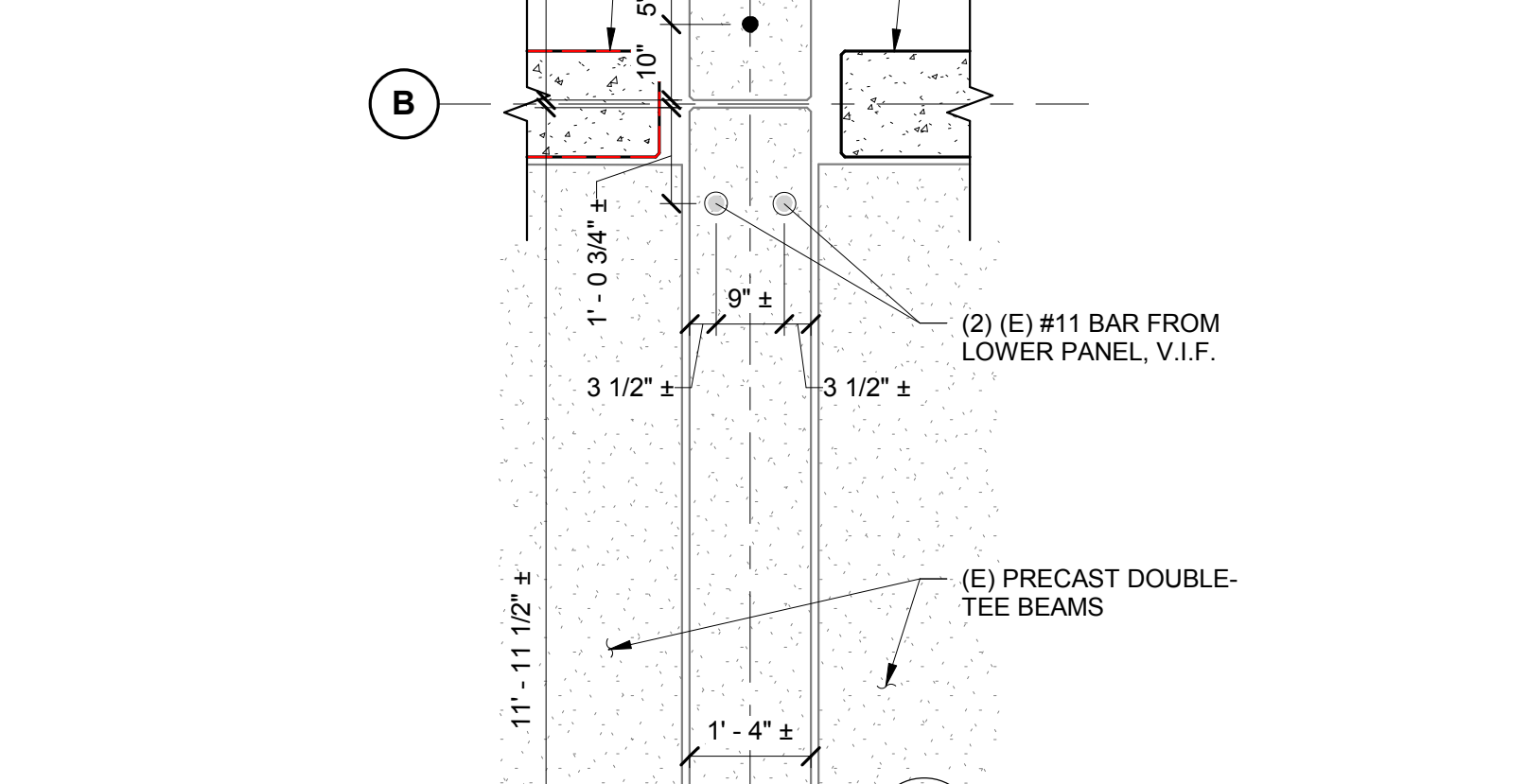
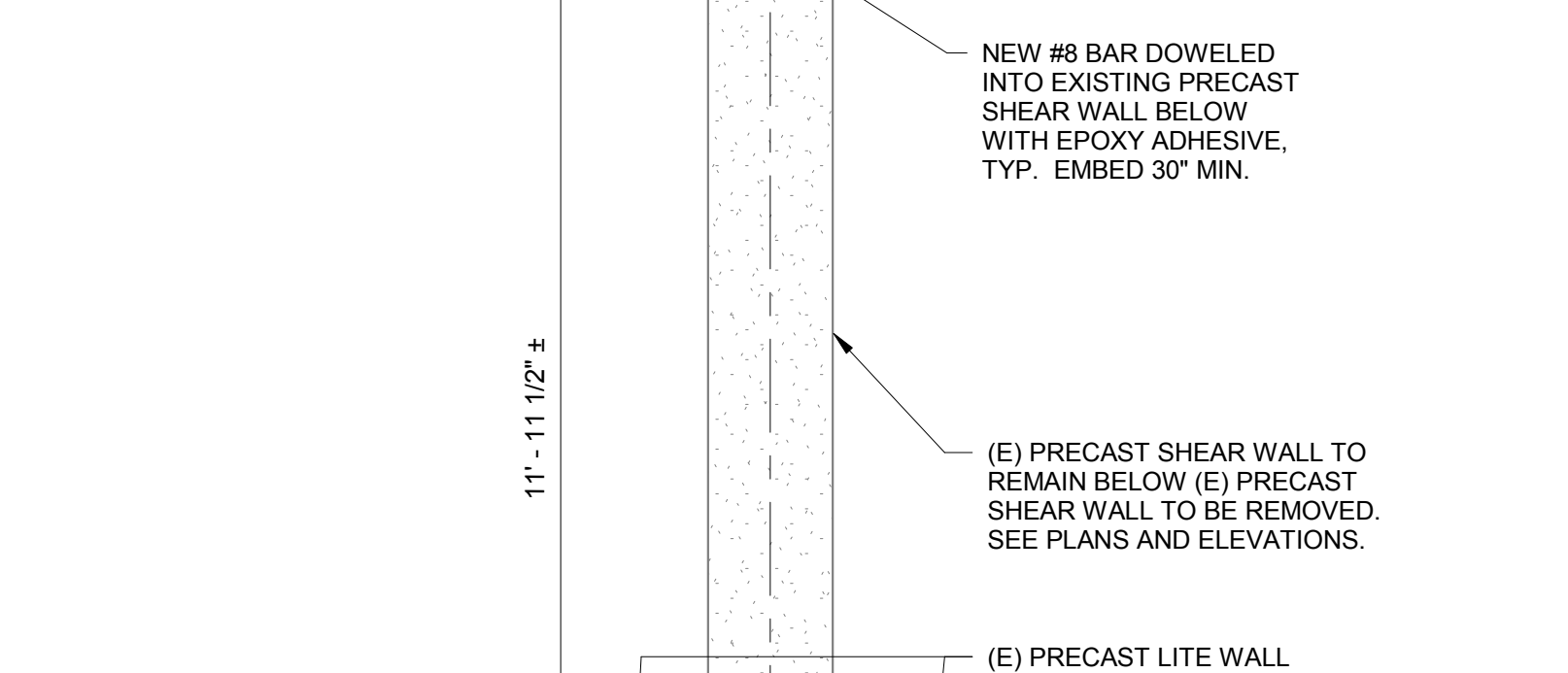
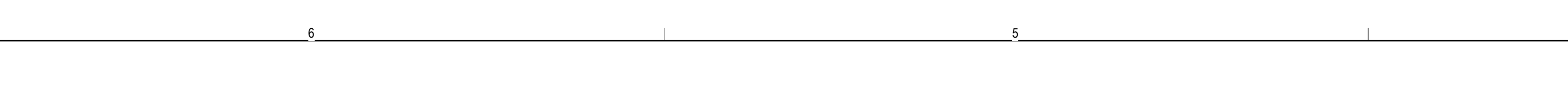
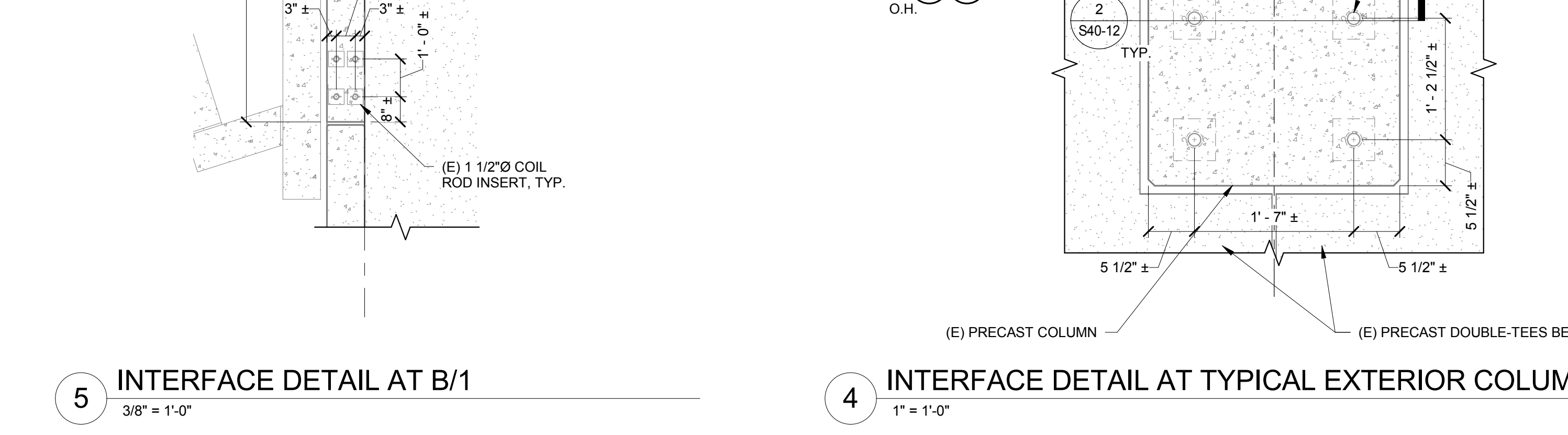
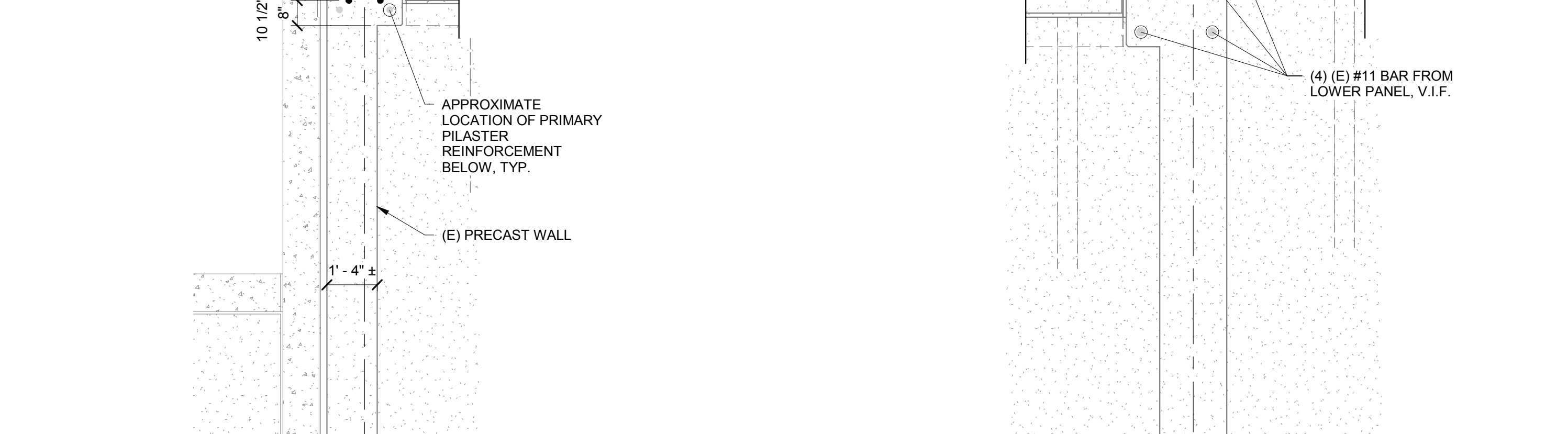
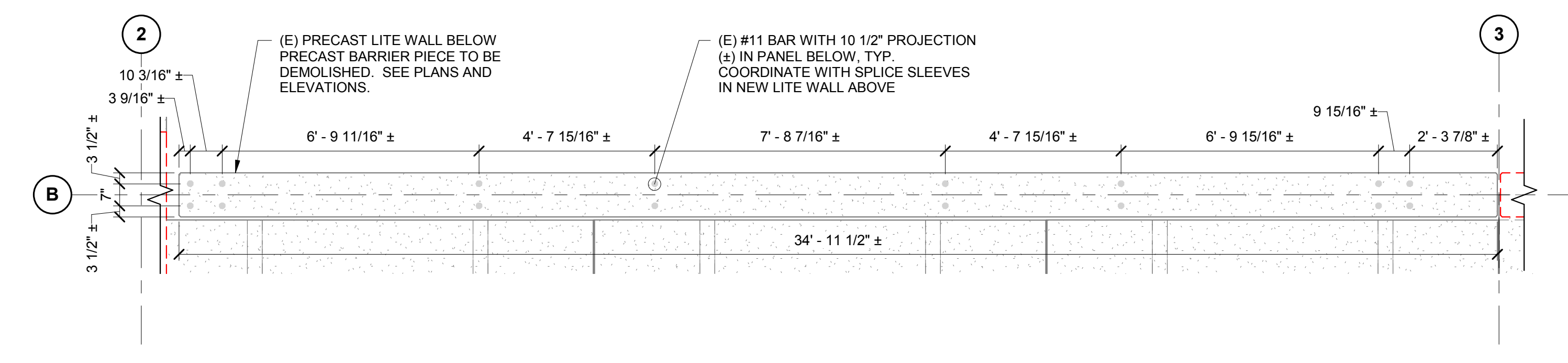


GENERAL NOTE FOR INTERFACE DETAILS:
 THE DETAILS SHOWN ON THIS DRAWING, ALONG WITH THE INFORMATION AND DIMENSIONS IN EACH DETAIL, ARE DRAWN USING PRECAST PIECE TICKETS FOR THE EXISTING PARKING GARAGE, PHOTOGRAPHS, AND FIELD VISITS. SOME INFORMATION COULD NOT BE ACCURATELY VERIFIED. THE GENERAL CONTRACTOR SHALL BE RESPONSIBLE FOR VERIFYING ALL THE INFORMATION NECESSARY TO INTERFACE NEW PRECAST COMPONENTS TO THE EXISTING GARAGE. THE CONTRACTOR SHALL VERIFY THIS INFORMATION WITH AMPLE TIME TO ALLOW THE PRECASTER TO MAKE ADJUSTMENTS, AS NEEDED, TO CALCULATIONS AND PIECE DESIGNS PRIOR TO THE SHOP DRAWING PHASE.



NOTES:
 1. DRILL 4" Ø HOLE TANGENT TO LINES OF FINISHED OPENING AT EACH CORNER.
 2. SAWCUT TO LINES REQUIRED. DO NOT OVER-RUN AT CORNERS.
 3. CHIP REMAINING CORNER CONCRETE WITH GREAT CARE AND WITH SMALL TOOLS.
 4. THE ENDS OF ALL EXISTING CUT REINFORCING STEEL SHALL BE DRILLED 1" BACK FROM FACE OF CONCRETE. PATCH HOLES WITH NON-SHRINK GROUT.