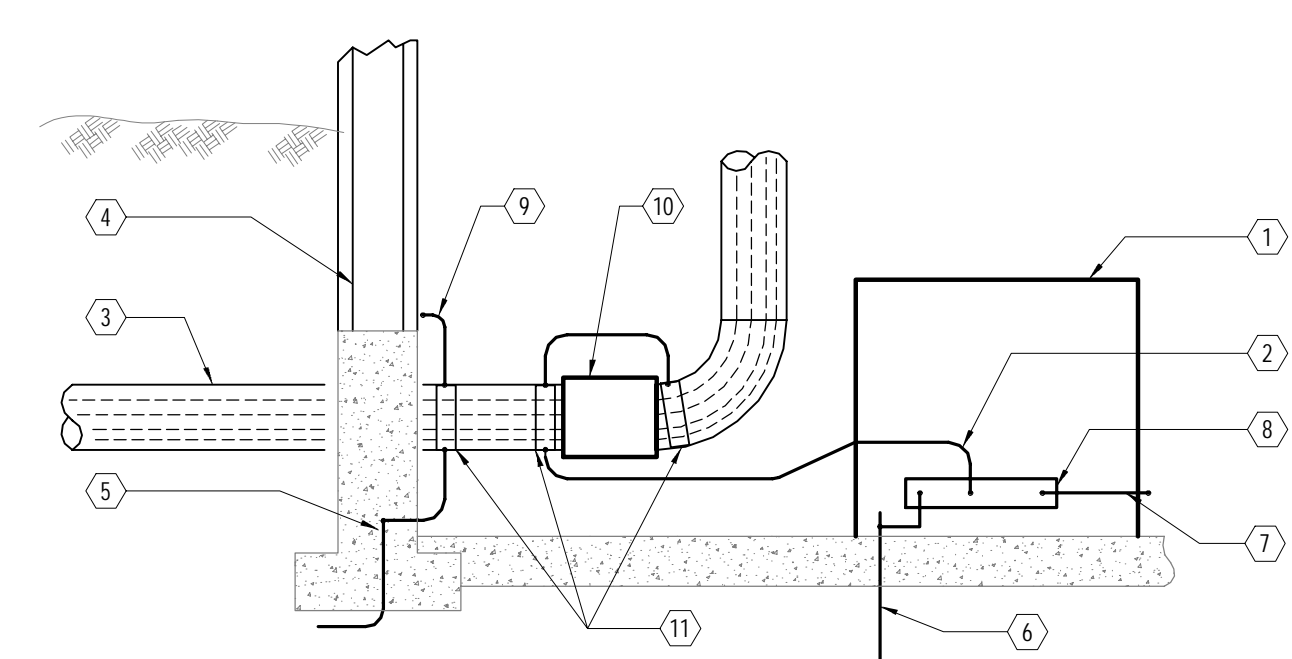
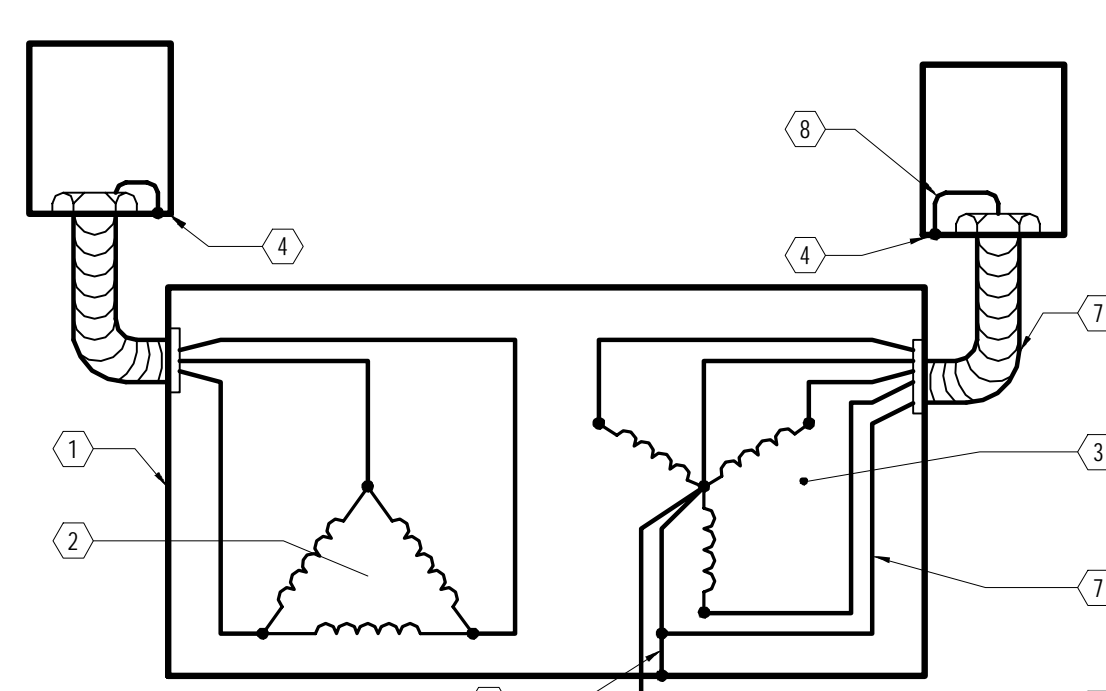


|                    |             |      |
|--------------------|-------------|------|
| PERMIT SET         | 03.28.18    |      |
| PERMIT SET         | 03.08.18    |      |
| ADDENDUM #1        | 12.26.17    |      |
| DESIGN DEVELOPMENT | 08.25.17    |      |
| NO.                | ISSUE       | DATE |
| Job Number         | B150311-000 |      |
| Drawn              | BC          |      |
| Checked            | JAM         |      |
| Approved           | MR          |      |



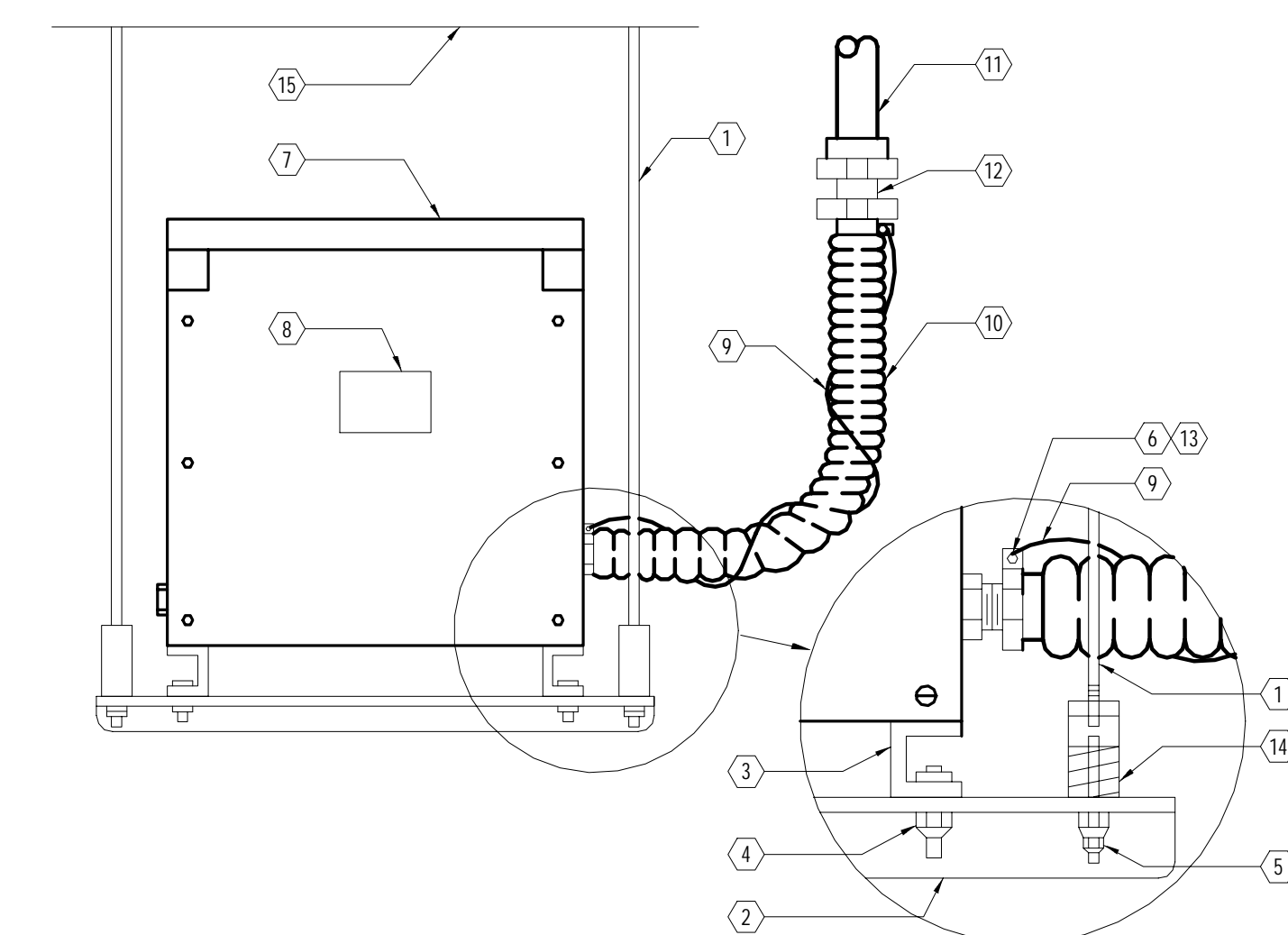
- NOTES:
- 1 SERVICE EQUIPMENT ENCLOSURE
  - 2 GROUNDING ELECTRODE CONDUCTOR
  - 3 COLD WATER GROUNDING ELECTRODE (E.G. METAL PIPE)
  - 4 GROUNDING ELECTRODE (BUILDING STEEL)
  - 5 GROUNDING ELECTRODE (IRC BARS AT BOTTOM OF FOOTING)
  - 6 GROUNDING ELECTRODE (RODS)
  - 7 BOND TO ENCLOSURE (NEUTRAL DISCONNECT LINK IN NYC)
  - 8 NEUTRAL BUS
  - 9 BONDING JUMPER
  - 10 WATER METER WITH JUMPER
  - 11 BRONZE CLAMP (ONE PER JUMPER CABLE)

**6 GROUNDING ELECTRODE STEEL BUILDINGS**  
SCALE: 1:1



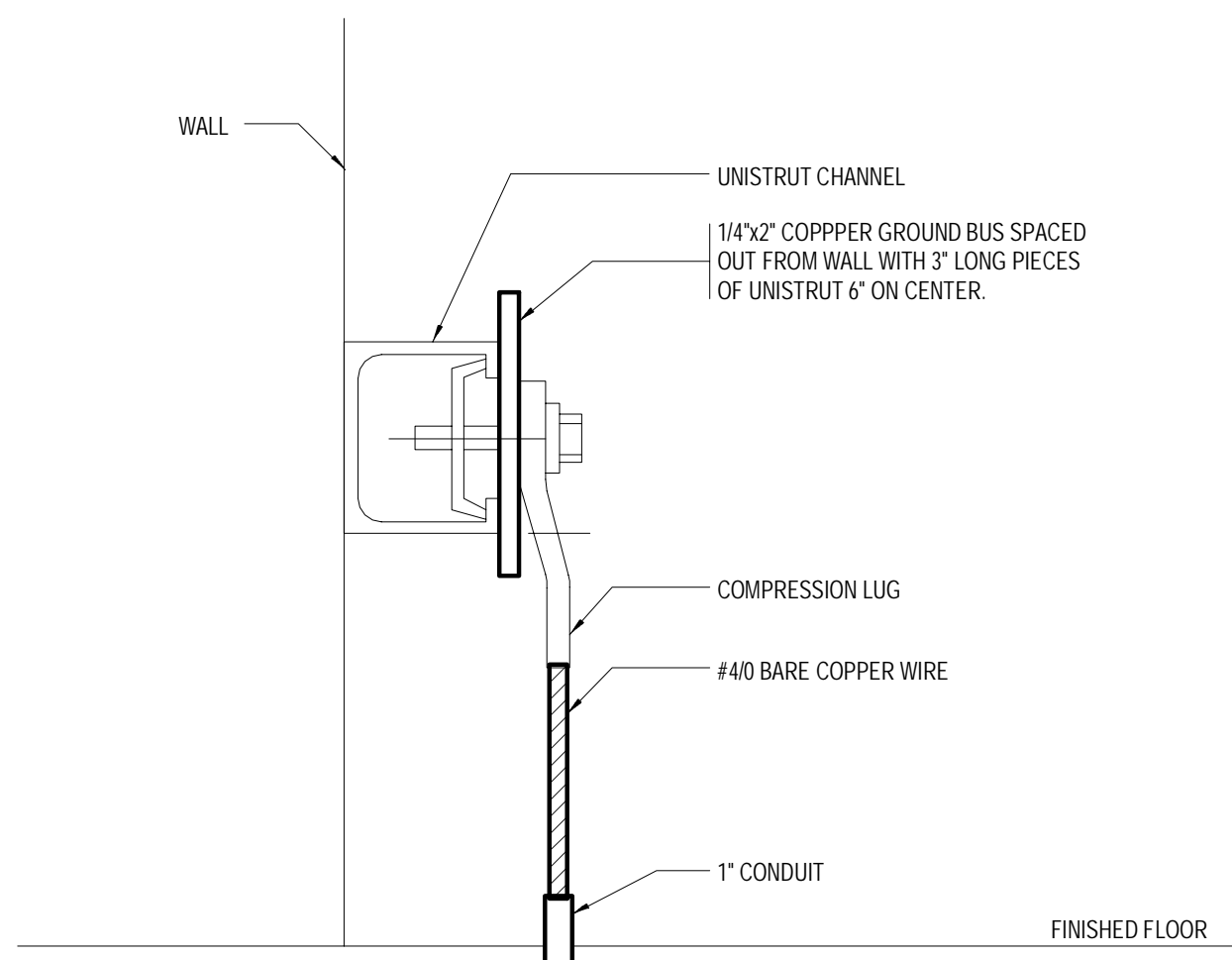
- NOTES:
- 1 ENCLOSURE
  - 2 PRIMARY WIRING
  - 3 SECONDARY WIRING
  - 4 BOND TO ENCLOSURE
  - 5 GROUNDING ELECTRODE CONDUCTOR
  - 6 GROUNDING ELECTRODE
  - 7 FLEXIBLE CONDUIT WITH GROUNDING CONDUCTOR
  - 8 GROUNDING ELECTRODE CONDUCTOR

**7 TRANSFORMER GROUNDING**  
SCALE: 1:1

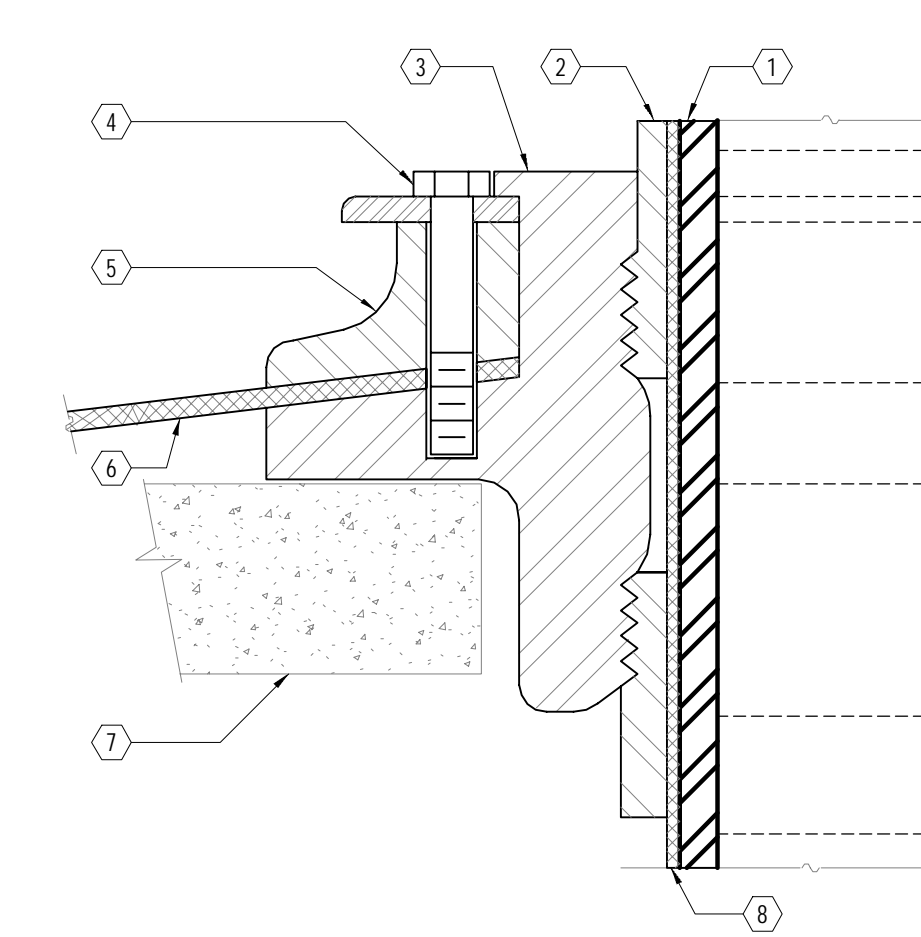


- NOTES:
- 1 1/2" THREADED STEEL ROD SUPPORT FROM STRUCTURE ABOVE
  - 2 3"x7" ANGLE IRON SUPPORT-LENGTH TO SUIT - 2 REQUIRED
  - 3 TRANSFORMER BASE CHANNEL
  - 4 1/2" NUT, BOLT & LOCKWASHER 4 REQUIRED
  - 5 1/2" NUT, LOCKOUT & LOCKWASHER 4 REQUIRED
  - 6 SECONDARY CONNECTION DETAIL (PRIMARY - SIMILAR)
  - 7 TRANSFORMER - MOUNT BOTTOM SUPPORTS 6'-6" A.F.F. (MIN)
  - 8 NAMEPLATE - CONNECTION DIAGRAM TO FACE CLOSEST ENTRANCE
  - 9 EXTERNAL COPPER BONDING WIRE 1/2" MIN.
  - 10 LIQUIDTIGHT FLEXIBLE METAL CONDUIT - 1" MIN.
  - 11 FEEDER CONDUIT
  - 12 COMBINATION COUPLING
  - 13 GROUND CONNECTOR
  - 14 VIBRATION ELIMINATOR (NEOPRENE PAD) 4 REQUIRED
  - 15 PROVIDE MISCELLANEOUS STEEL AS REQUIRED TO CONN. TO STRUCTURE

**1 TRANSFORMER SUSPENSION**  
SCALE: NONE

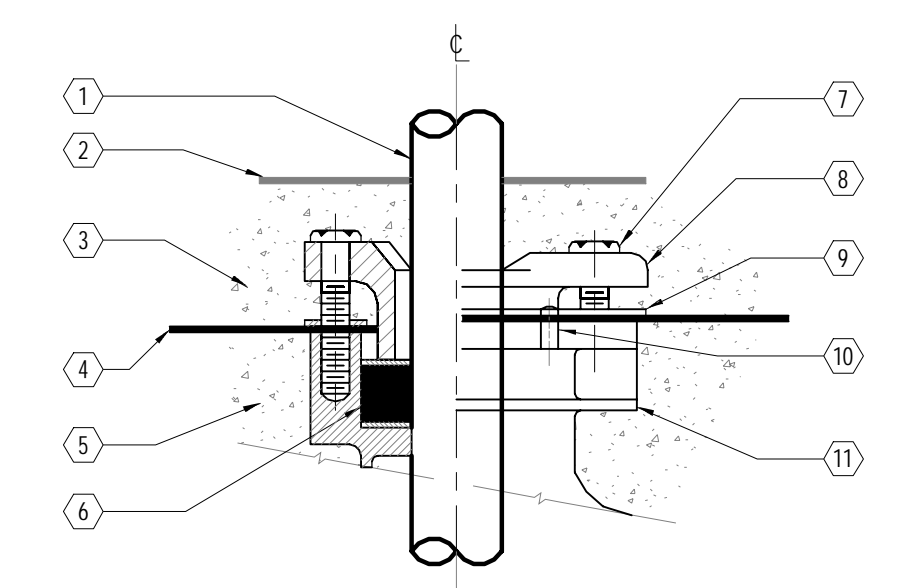


**5 GROUND BUS MOUNTING**  
SCALE: 1:1



- NOTES:
- 1 RIGID STEEL CONDUIT
  - 2 THREADED SLEEVE
  - 3 CAST IRON SLEEVE
  - 4 STEEL BOLT
  - 5 PRESSURE AND CLAMPING RINGS
  - 6 FLASHING OR ROOFING
  - 7 ROOF STRUCTURE
  - 8 CAULKING/PACKING

**2 ROOF SLEEVE-THREADED WATERTIGHT**  
SCALE: NONE



- NOTES:
- 1 RIGID STEEL CONDUIT
  - 2 FLOOR FINISH
  - 3 CONCRETE FILL
  - 4 WATERPROOF MEMBRANE
  - 5 STRUCTURAL SLAB
  - 6 SEALING GROMMET
  - 7 PRESSURE CLAMP BOLT
  - 8 PRESSURE CLAMP
  - 9 MEMBRANE CLAMP RING
  - 10 MEMBRANE CLAMP SCREW
  - 11 CAST IRON BODY

**4 FLOOR SLEEVE-PRESET WATERTIGHT**  
SCALE: NONE